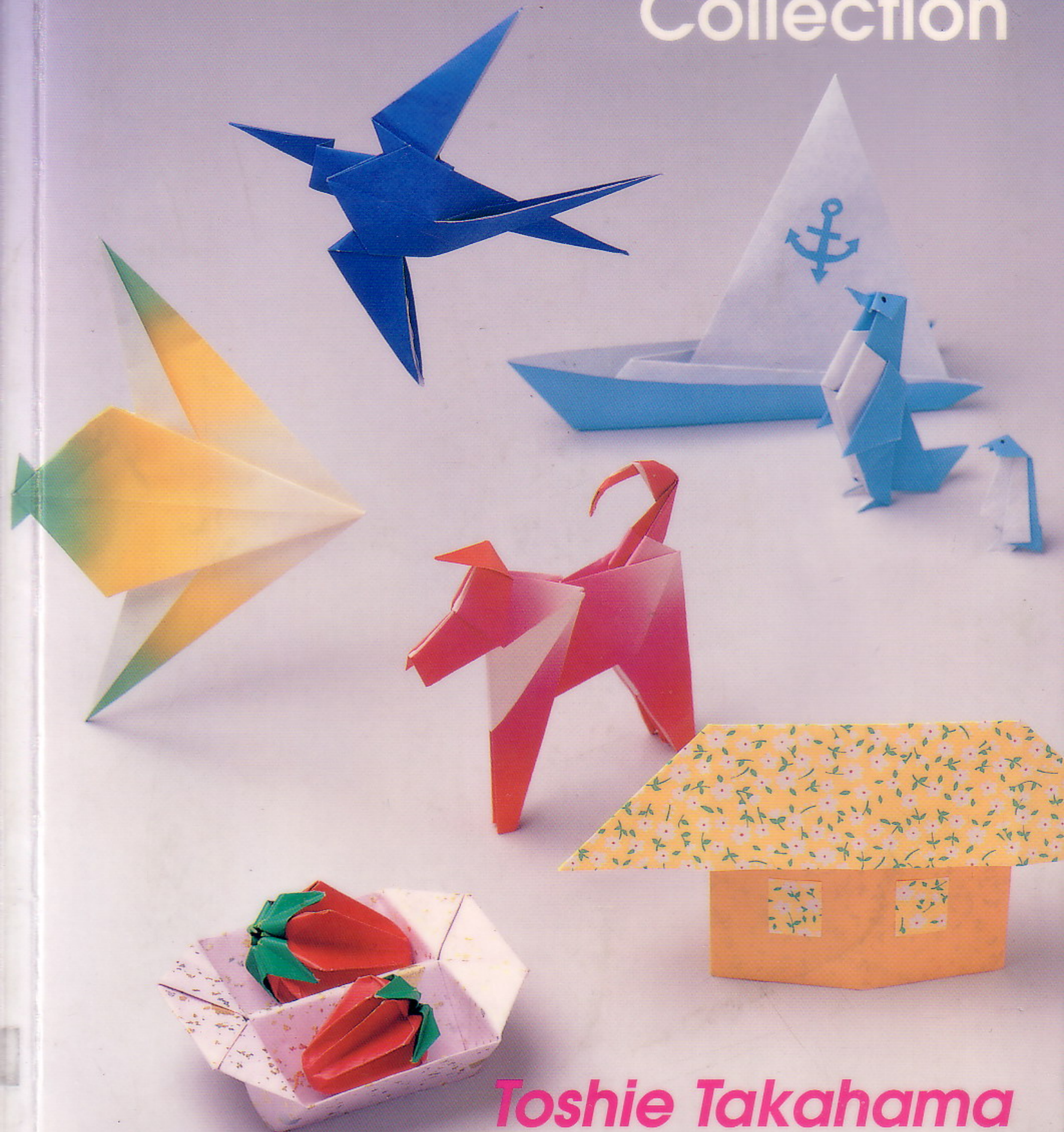


The Complete

# ORIGAMI

Collection



*Toshie Takahama*



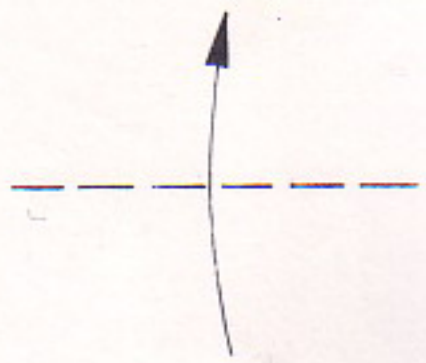
# Origami Symbols & Procedures



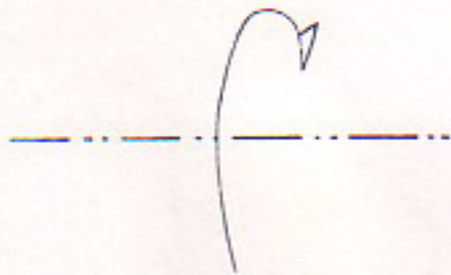
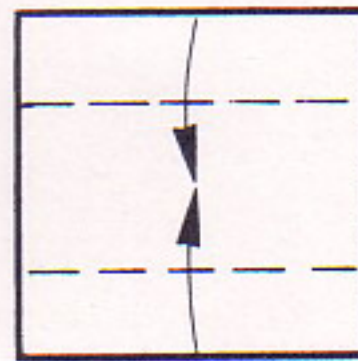
Outline and crease



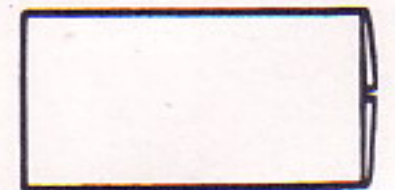
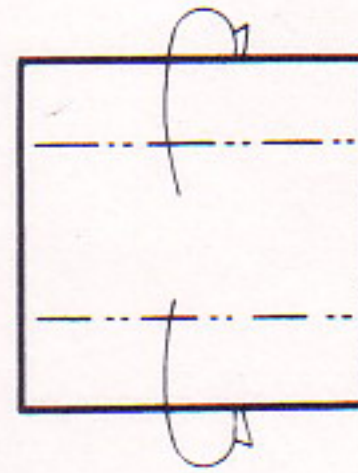
Concealed part or previous position



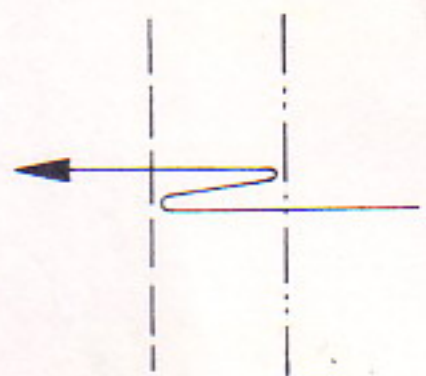
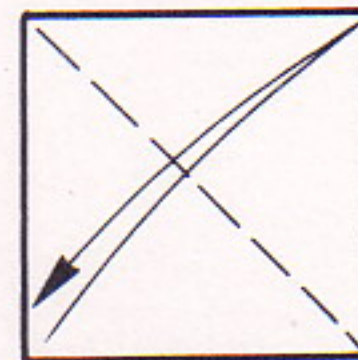
Valley Fold



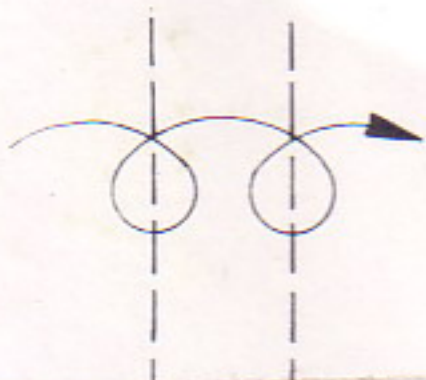
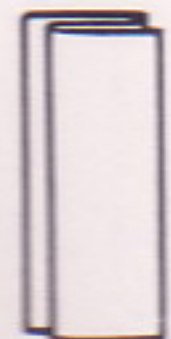
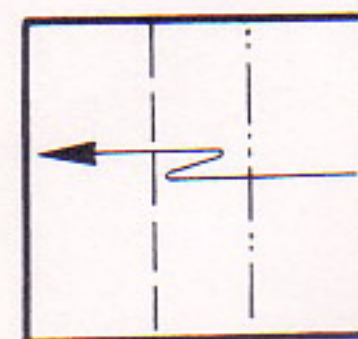
Mountain Fold



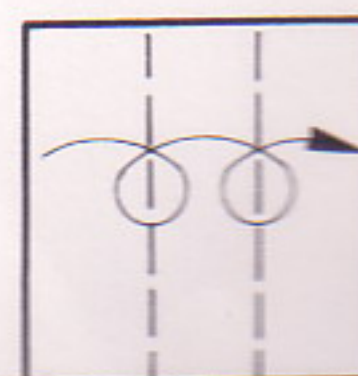
Fold and unfold to crease



Stairstep Fold



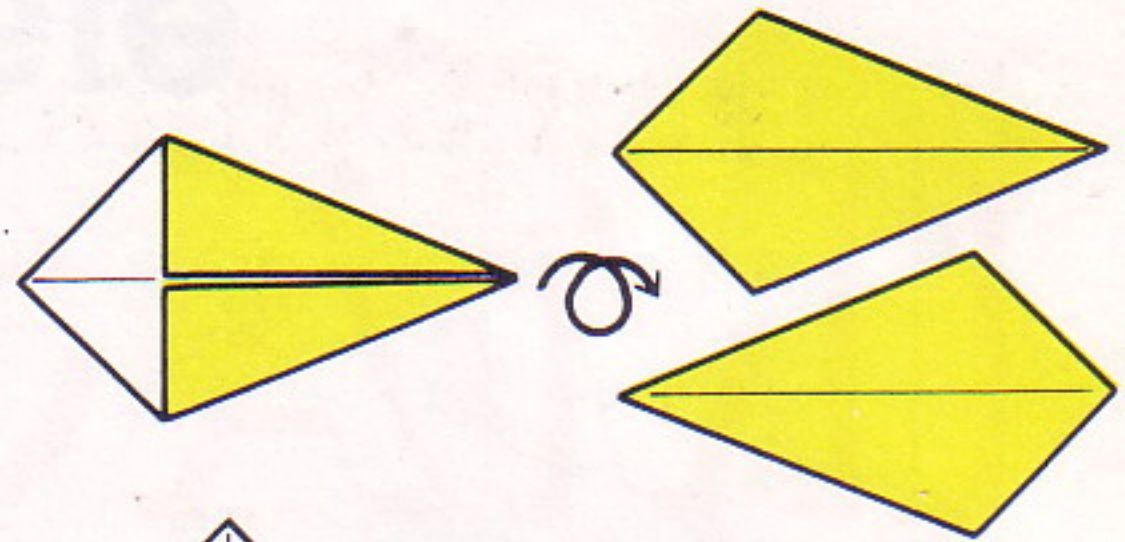
Fold over and over



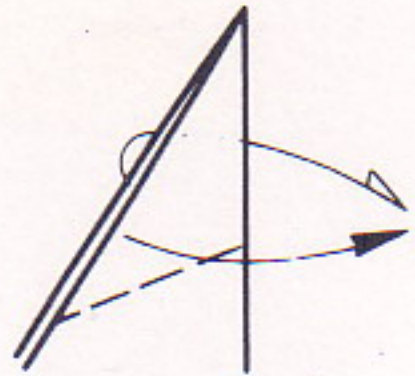
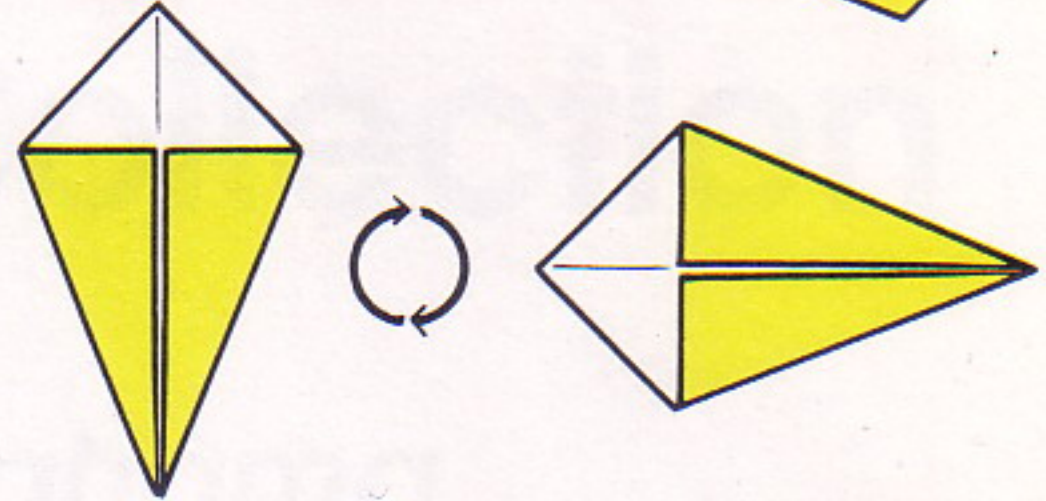




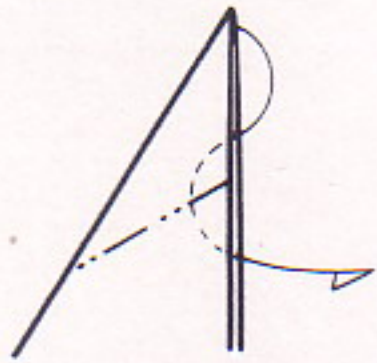
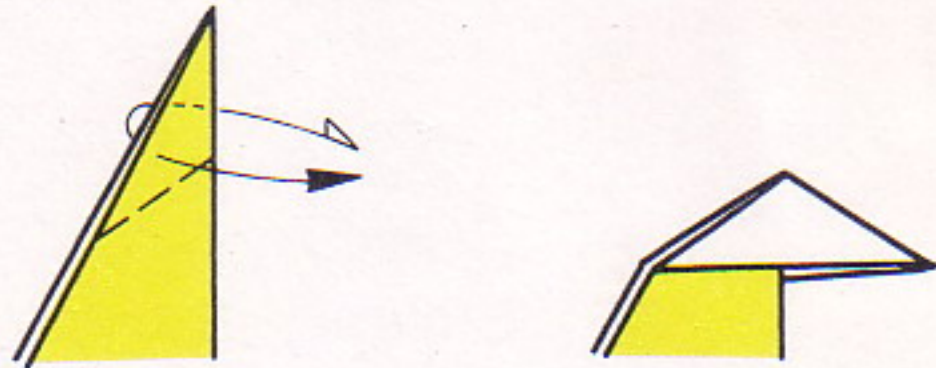
Turn model over



Change directions



Outside Reverse Fold



Inside Reverse Fold



Enlarge



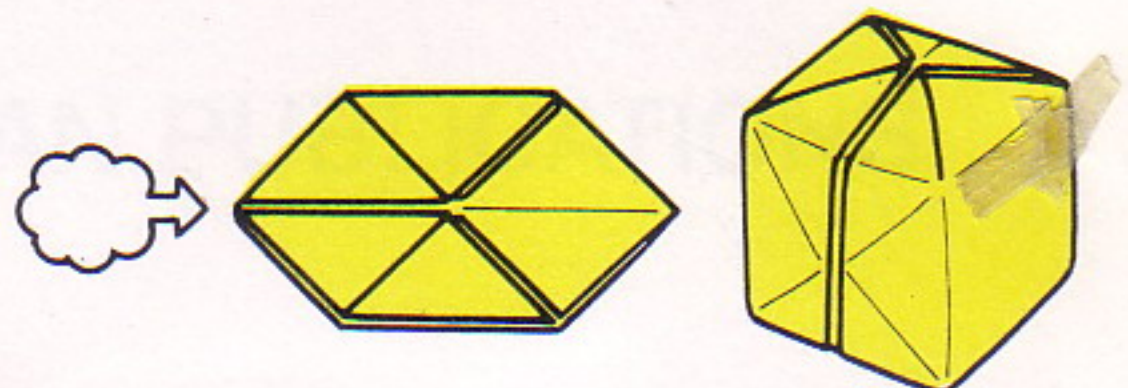
Pull out



Push in

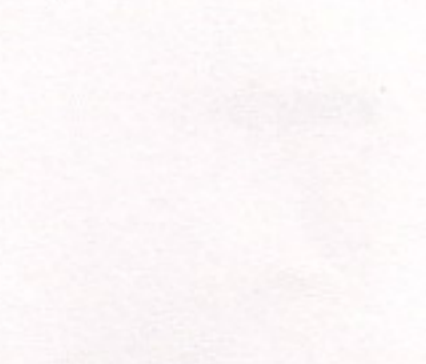
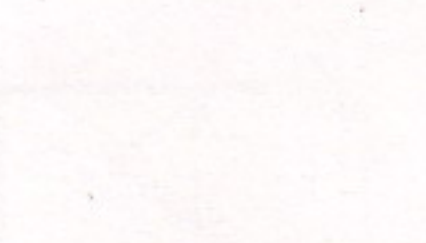


Blow in





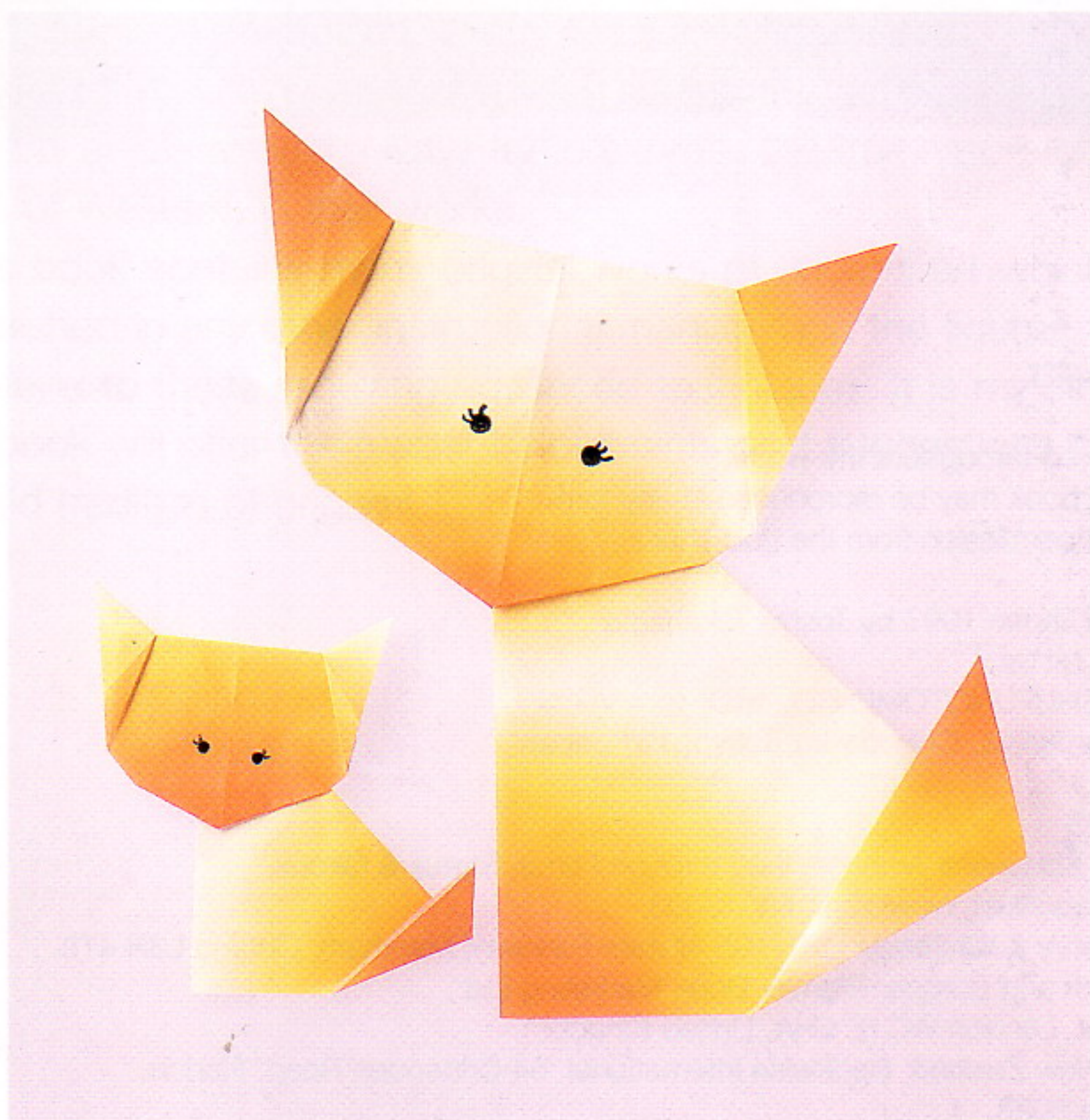
PROPERTIES





# The Complete **ORIGAMI** Collection

*Toshie Takahama*

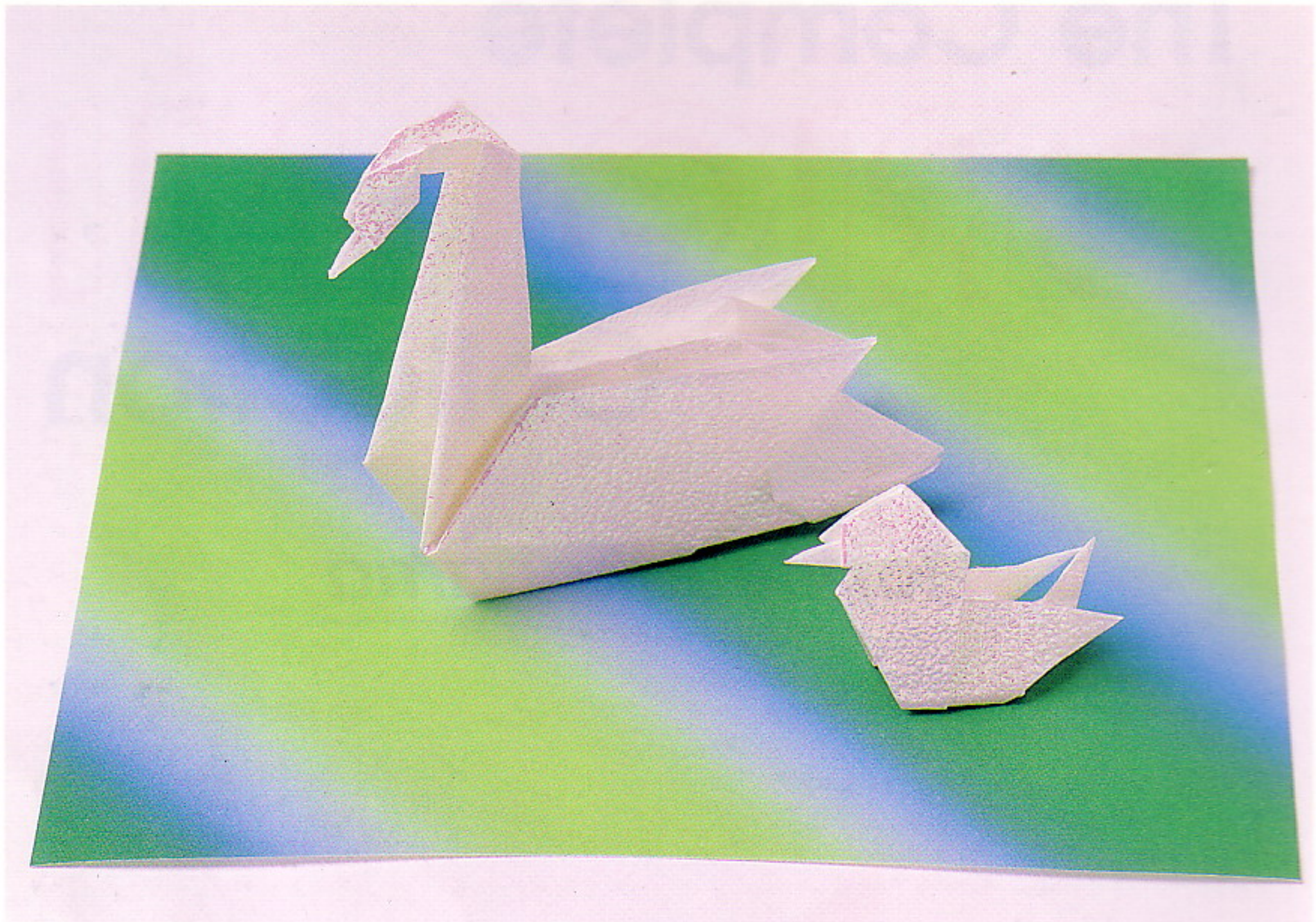


SHUFUNOTOMO/JAPAN PUBLICATIONS

Lomma Folkbibliotek  
Finland, Bjärbo

Pi





First printing, 1997

All rights reserved throughout the world.  
No part of this book may be reproduced in any form  
without written permission from the publisher.

© Copyright in Japan 1997 by Toshie Takahama

Published by SHUFUNOTOMO CO., LTD.  
2-9, Kanda Surugadai, Chiyoda-ku, Tokyo, 101 Japan

#### DISTRIBUTORS

United States: Kodansha America, Inc., through Farrar, Straus & Giroux,  
19 Union Square West, New York, NY 10003.

Canada: Fitzhenry & Whiteside Ltd., 195 Allstate Parkway, Markham, Ontario L3R 4T8.

United Kingdom and Europe: Premier Book Marketing Ltd.,  
1 Gower Street, London WC1E 6HA, United Kingdom.

Australia and New Zealand: Bookwise International, 54 Crittenden Road, Findon,  
South Australia 5023.

The Far East and Japan: Japan Publications Trading Co., Ltd.,  
1-2-1, Sarugaku-cho, Chiyoda-ku, Tokyo 101, Japan

ISBN: 0-87040-960-3  
Printed in Hong Kong



# INTRODUCTION

Origami, or the art of paper folding, is one of the traditional folk arts of Japan which has long been held dear in the hearts of the Japanese. The act of molding or shaping paper and other materials into tangible objects is fun for people of all ages. Origami is the simplest way I know to derive this pleasure, and its techniques have been handed down from generation to generation. Just by folding a piece of paper, you can make a bird, flower, dog, as well as many other figures. What fun this is!

The Japanese are blessed with the best paper in the world. Using techniques refined over many years, Japan produces an excellent quality handmade paper called washi. Washi is soft and durable and has a unique beauty. Because of these properties, it has long been used to produce a wide variety of high-quality works of art. It is a boon for origami enthusiasts that both washi and also Western paper made by advanced technology is available. I think origami artists should always try to express the true nature of the paper, Japanese or Western, in their works.

This book contains many original works of origami art which have not been published in any other instructional manual, and the figures range from beginner-level to those requiring advanced techniques. It is my sincere hope that this book will offer the reader helpful hints and suggestions for enjoying the age-old tradition of origami.

*Toshie Takahama*



# CONTENTS

## In the Zoo

Koala Bear 10–11

Pig 12–13

Monkey 14–17

Lion 18–23

Camel 24–28

Tropical Fish 30–31

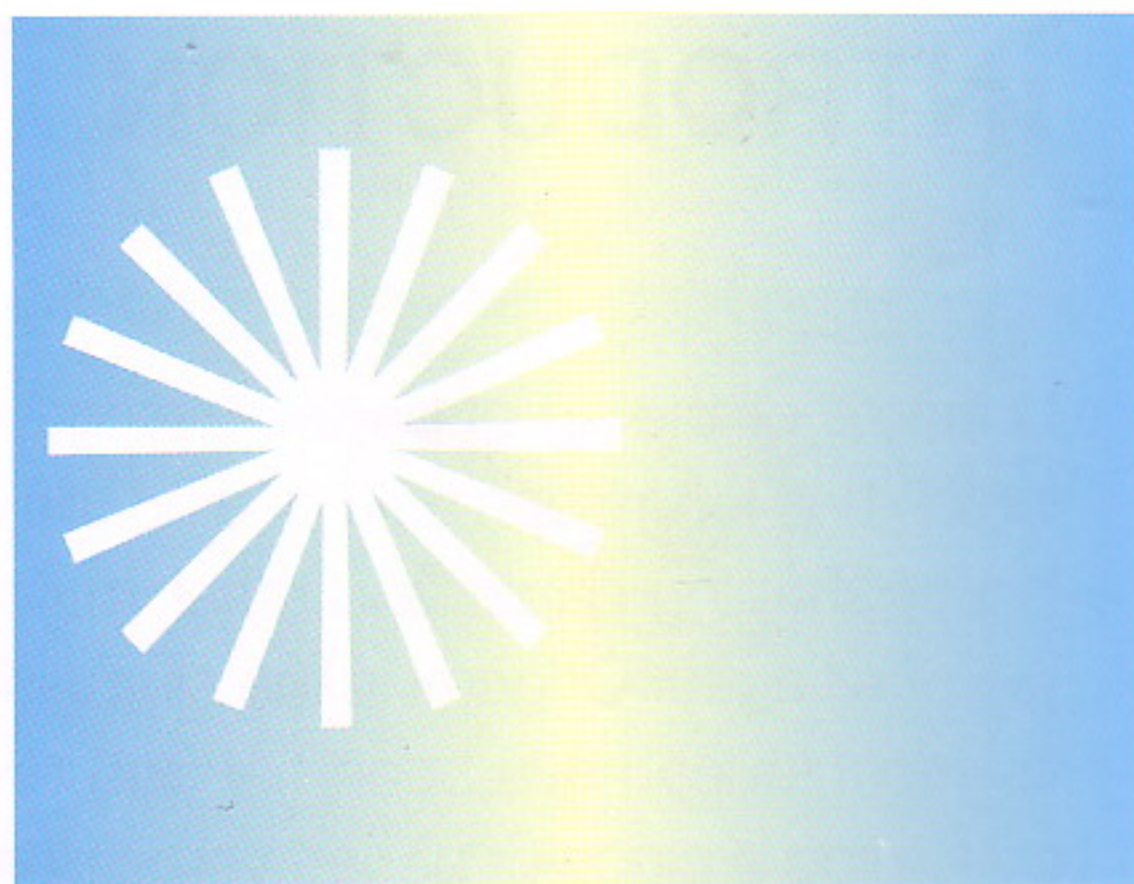
Seal 32–33

Swallow 34–37

Nesting Crane 38–41

Mother & Baby Swan  
42–47

Mother & Baby Penguin  
48–57



## In the Garden

Chinese Bellflower  
58–61

Strawberry 62–64

Carnation 65–69

Cicada 70–71

Ladybug 72–73

Snake 74–77

Snail 78–83

Kitty 84–85

Dog 86–89



## In the Playroom

Jet Plane 90–91

Yacht 92–93

Nodding Puppy 94–97

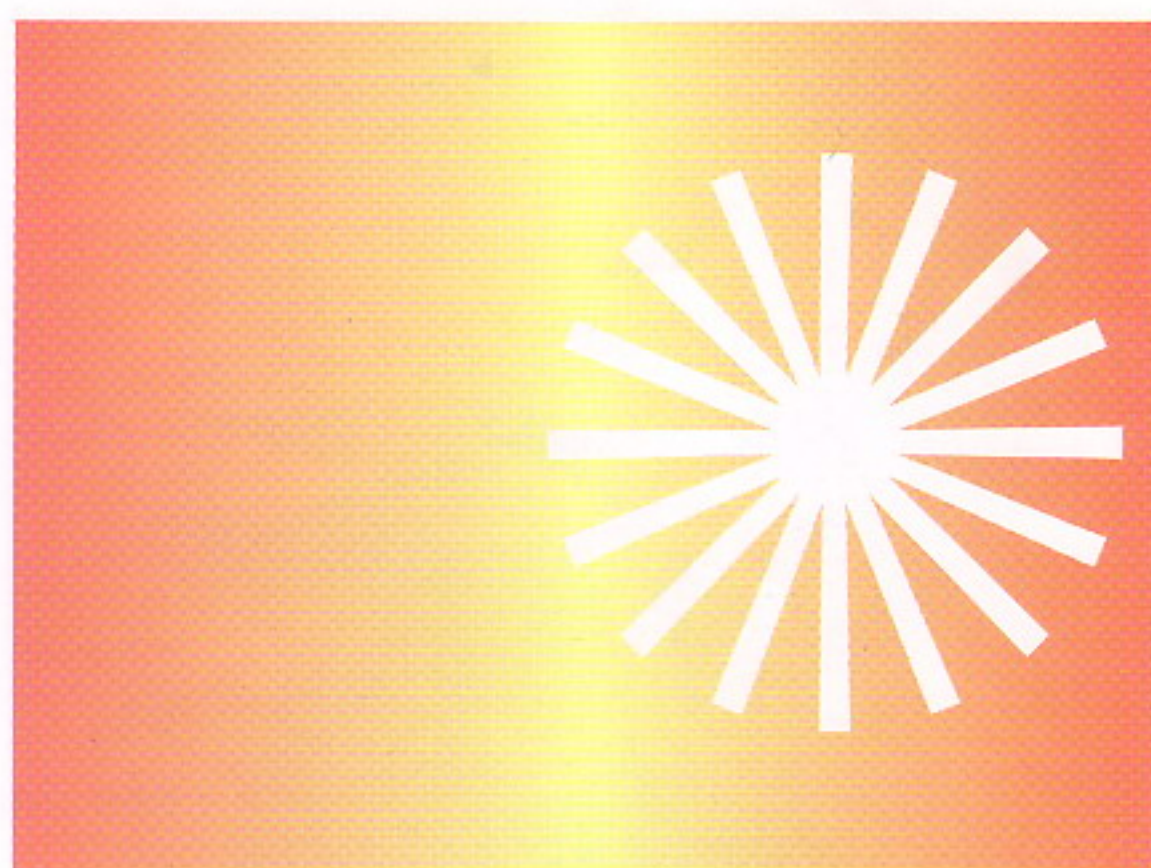
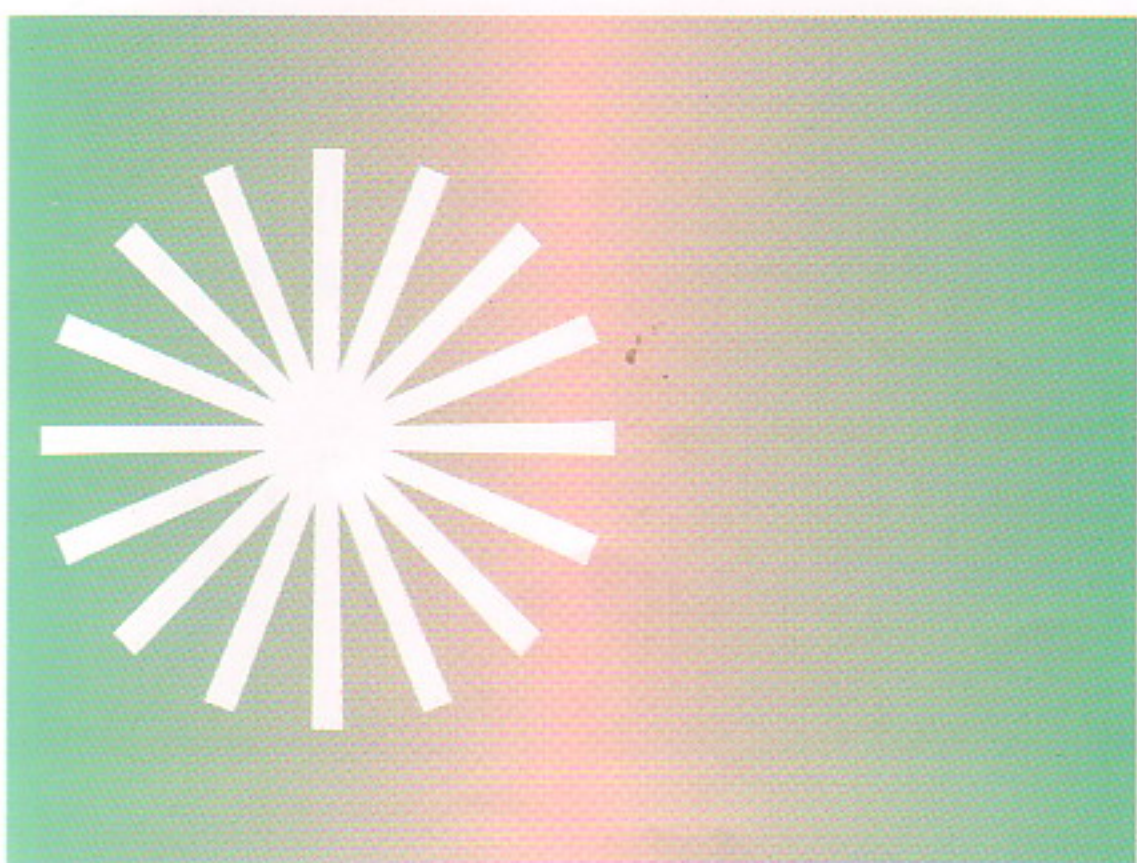
Singing Bird 98–99

Fox Puppet 100–101

Blow Top 102–103

Rocket 104–106

Jumping Flog 106–108



## On the Table

House 109

Cup 110–111

Box 112–113

Tray 114–115

Bowl 116–119

Napkin Ring 120–121

Chrysanthemum Bowl  
122–125

Jar 126–128

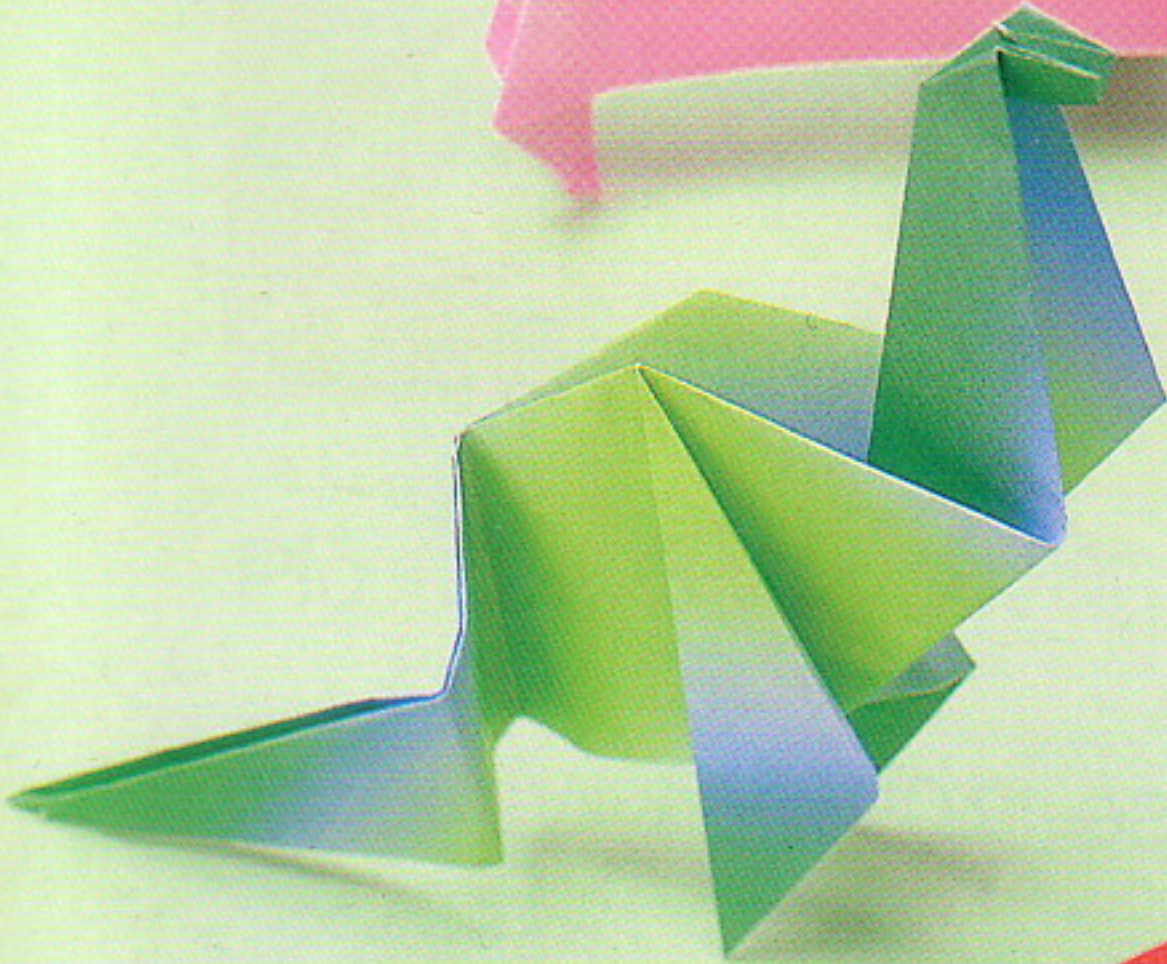




Pig  
see page 12-13



Nesting Crane  
see page 38-41



Seal  
see page 32-33



Lion  
see page 18-23



Camel  
see page 24-28

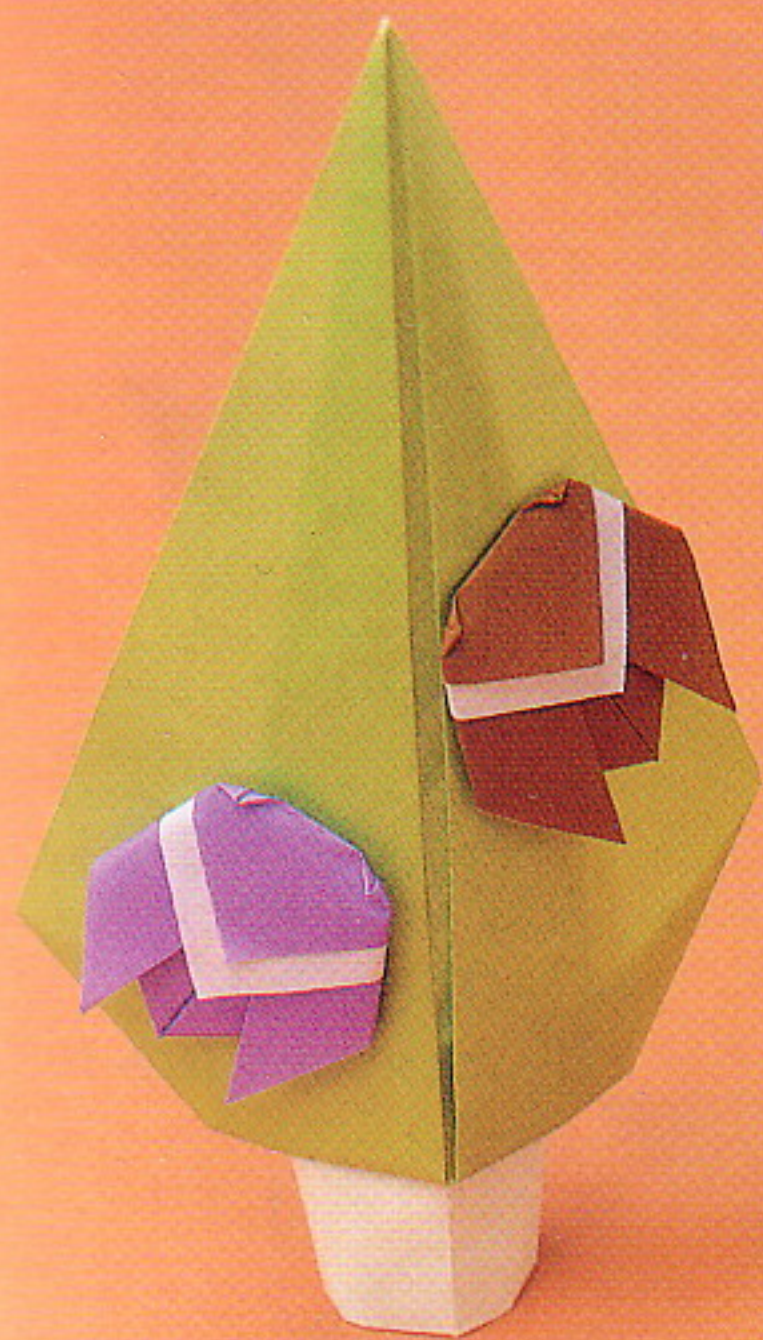


Mother & Baby Swan  
see page 42-47



Monkey  
see page 14-17

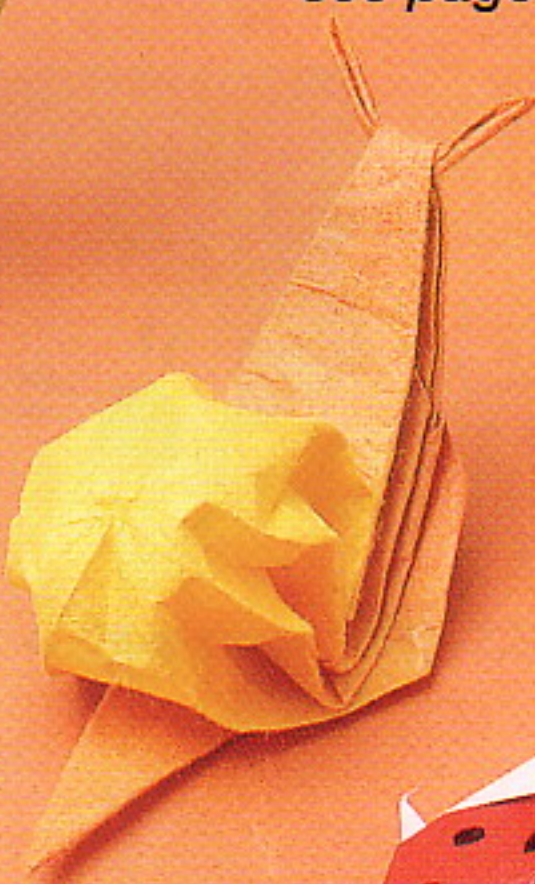




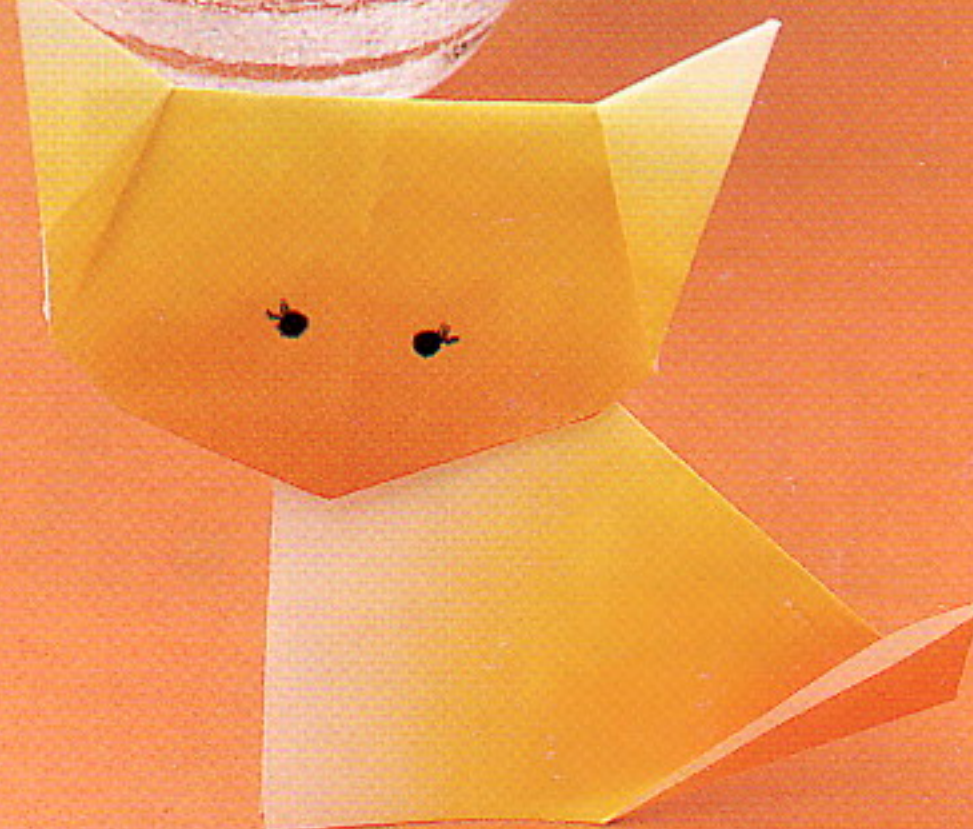
Cicada  
see page 70-71



Carnation  
see page 65-69



Snail  
see page 78-83



Kitty  
see page 84-85



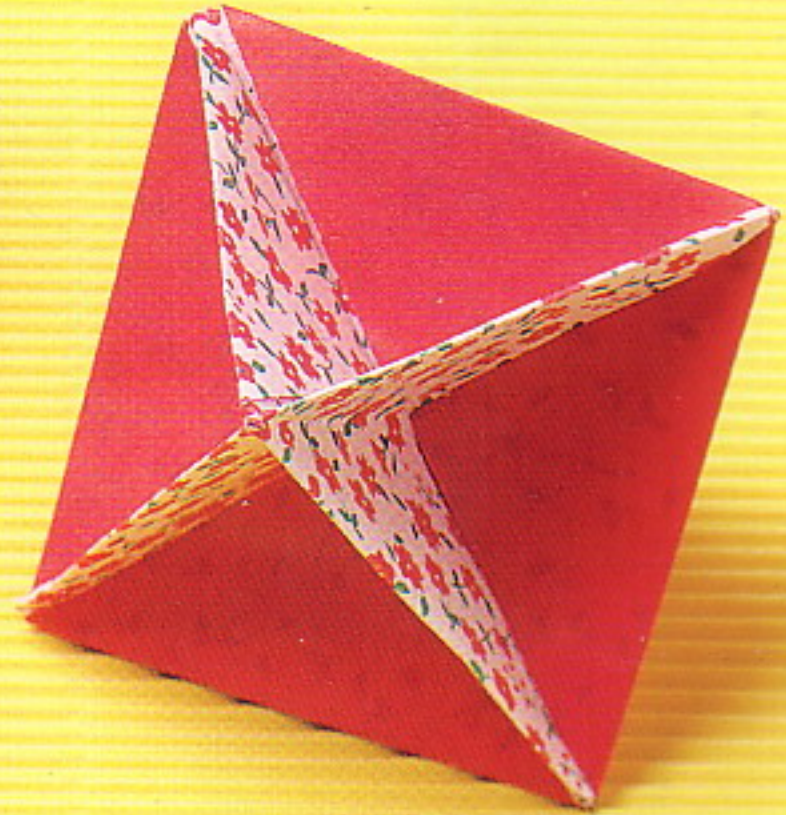
Snake  
see page 74-77

Ladybug  
see page 72-73





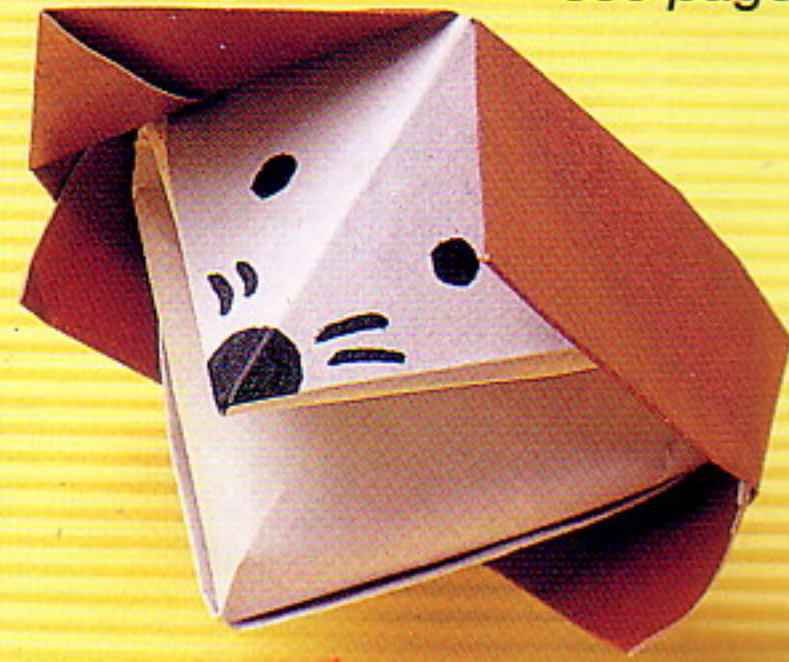
Jet Plane  
see page 91-91



Blow Top  
see page 102-103



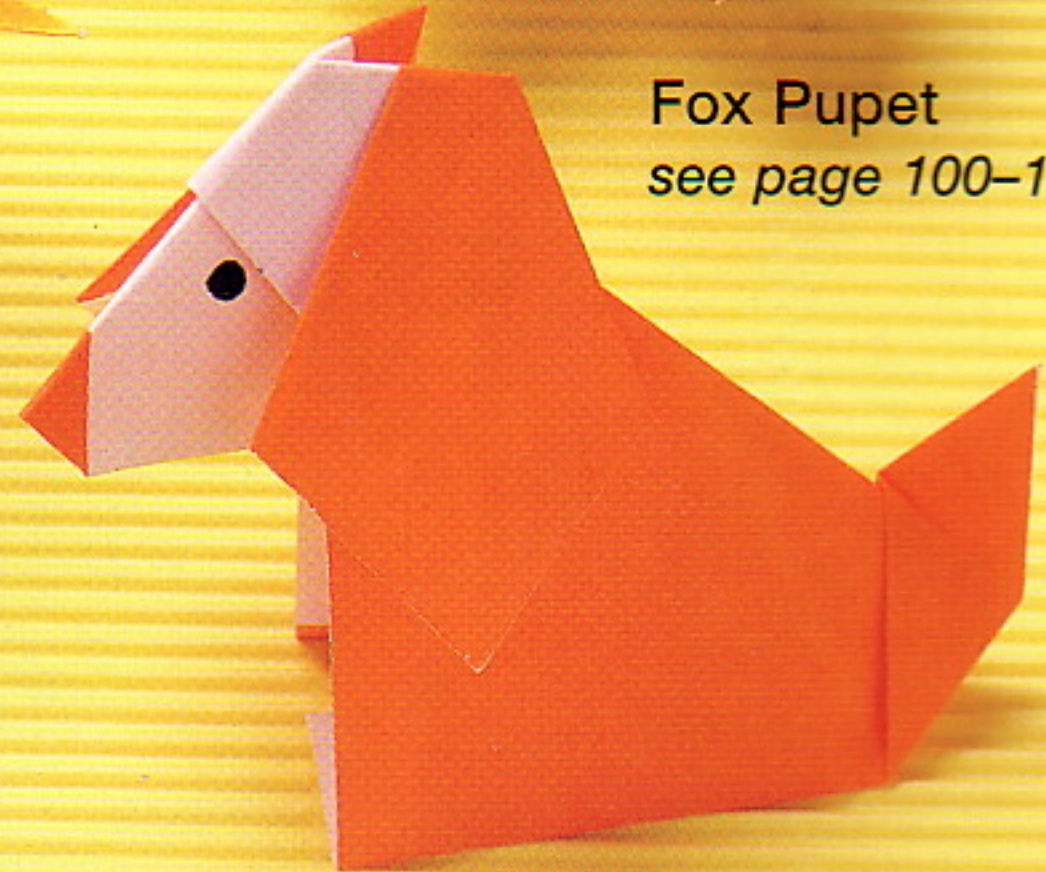
Rocket  
see page 104-106



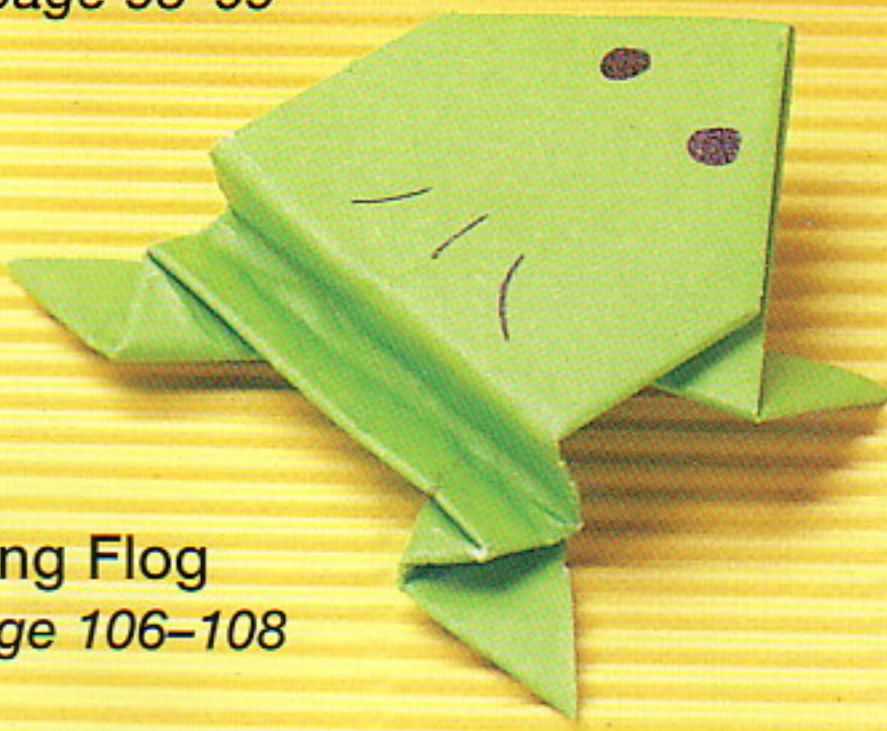
Fox Puppet  
see page 100-101



Singing Bird  
see page 98-99



Nodding Puppy  
see page 94-97

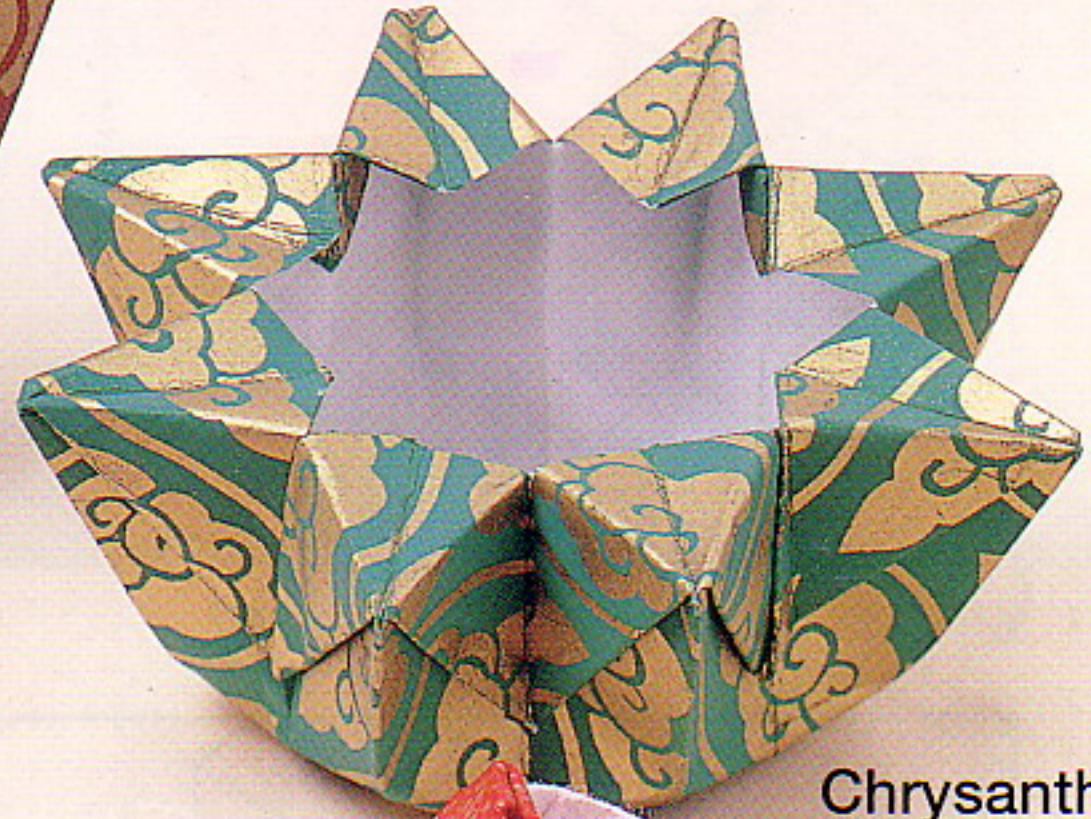


Jumping Frog  
see page 106-108

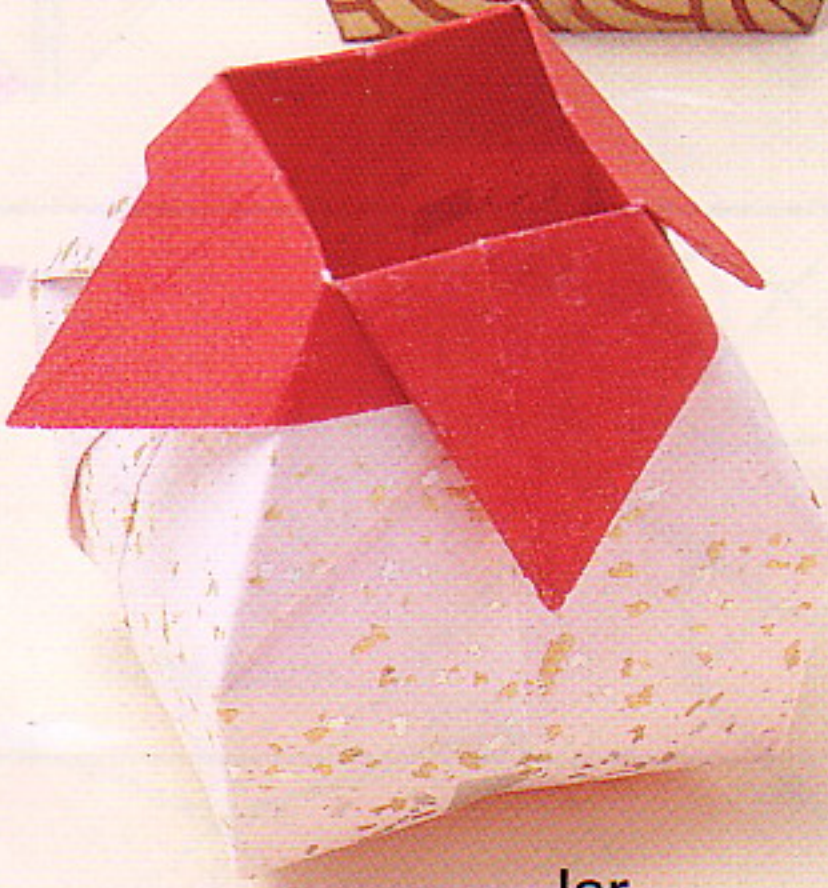




Cup  
see page 110-111



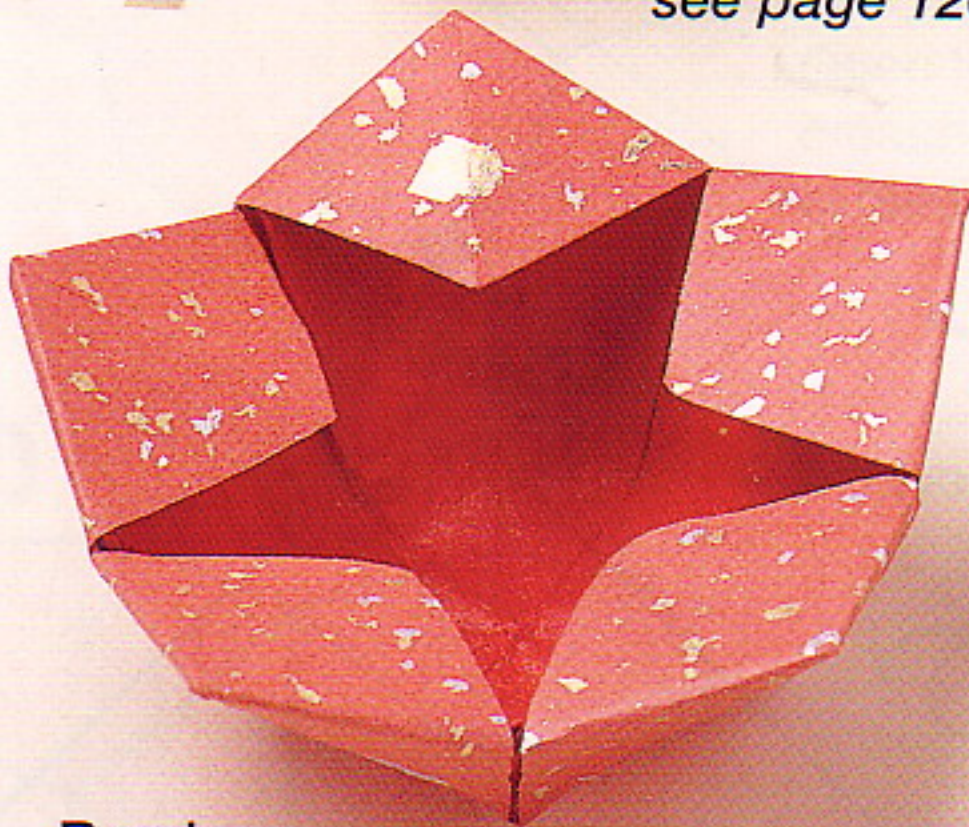
Chrysanthemum  
Bowl  
see page 122-125



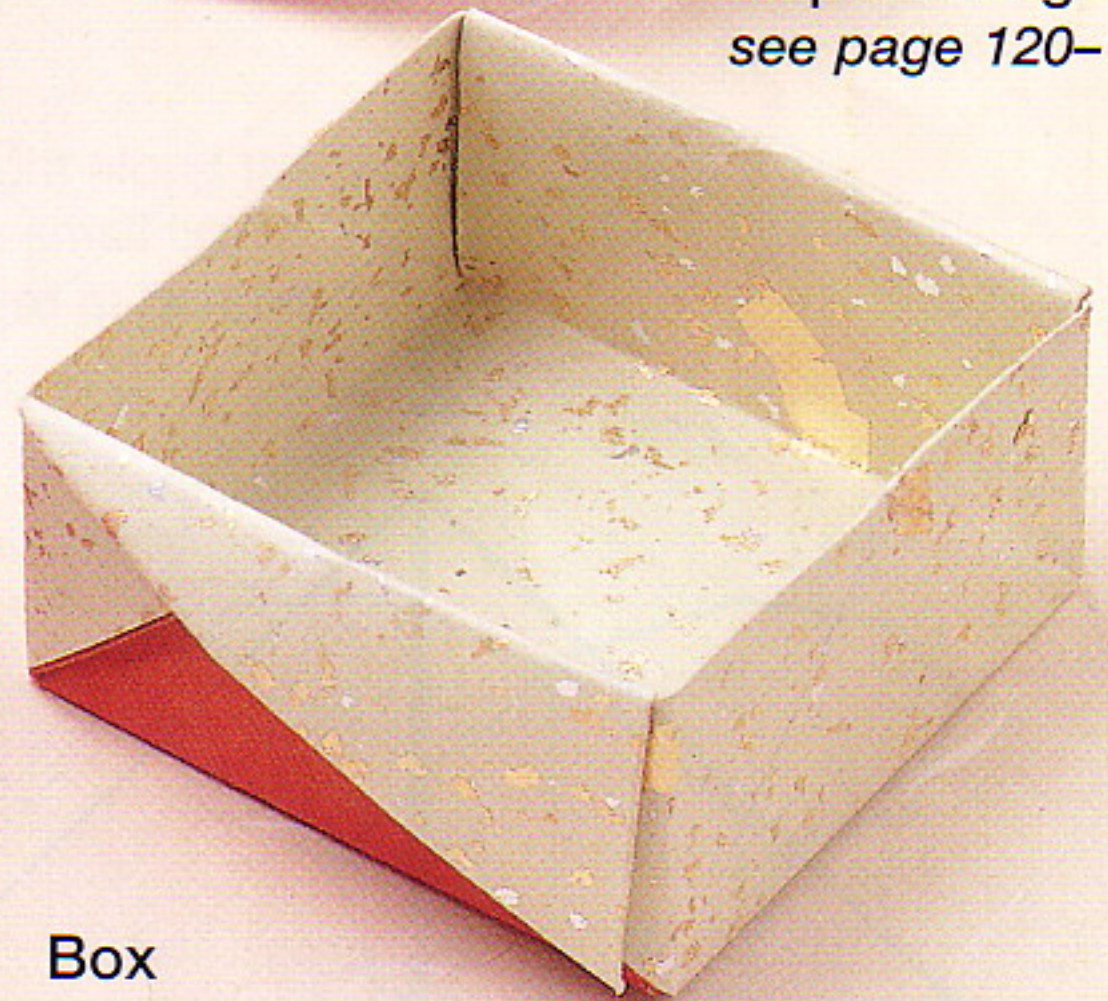
Jar  
see page 126-128



Napkin Ring  
see page 120-121



Bowl  
see page 116-119

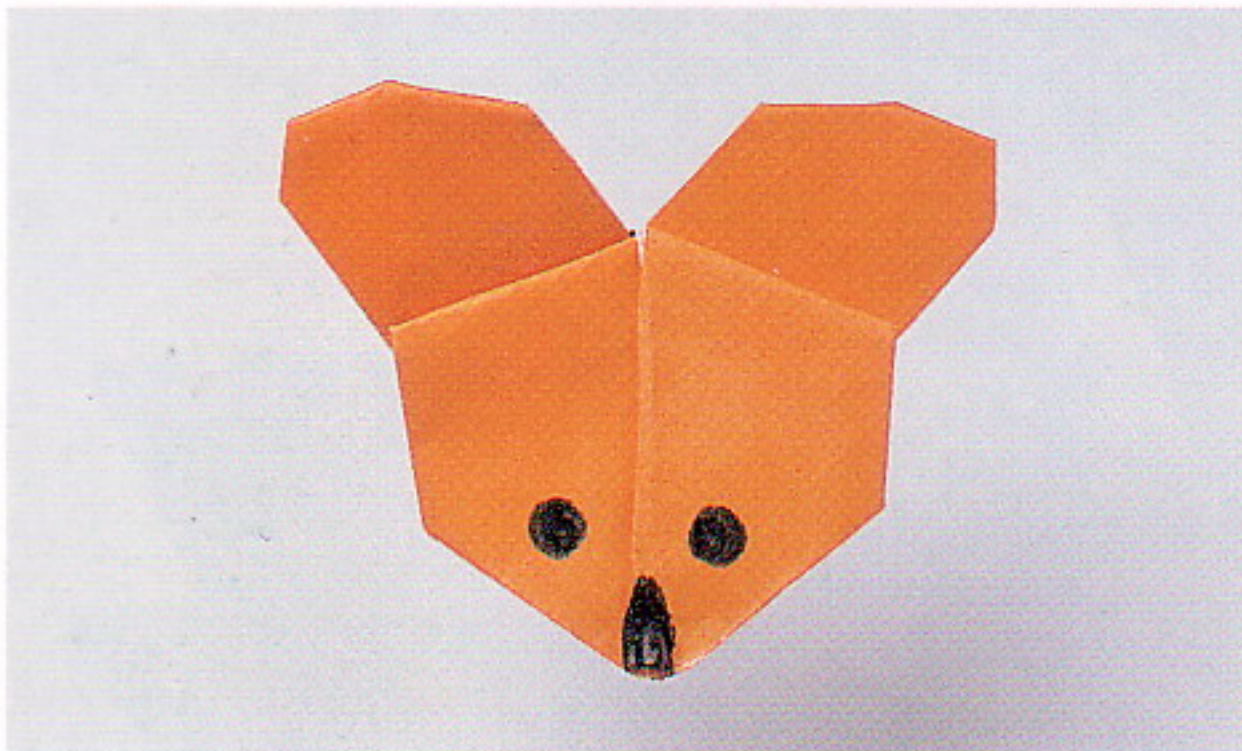


Box  
see page 112-113

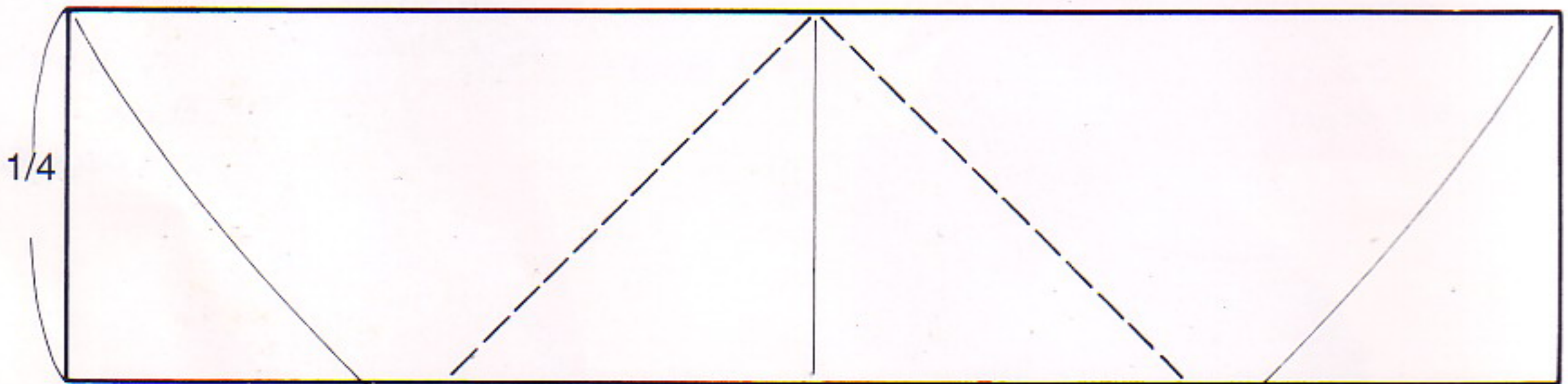


# IN THE ZOO

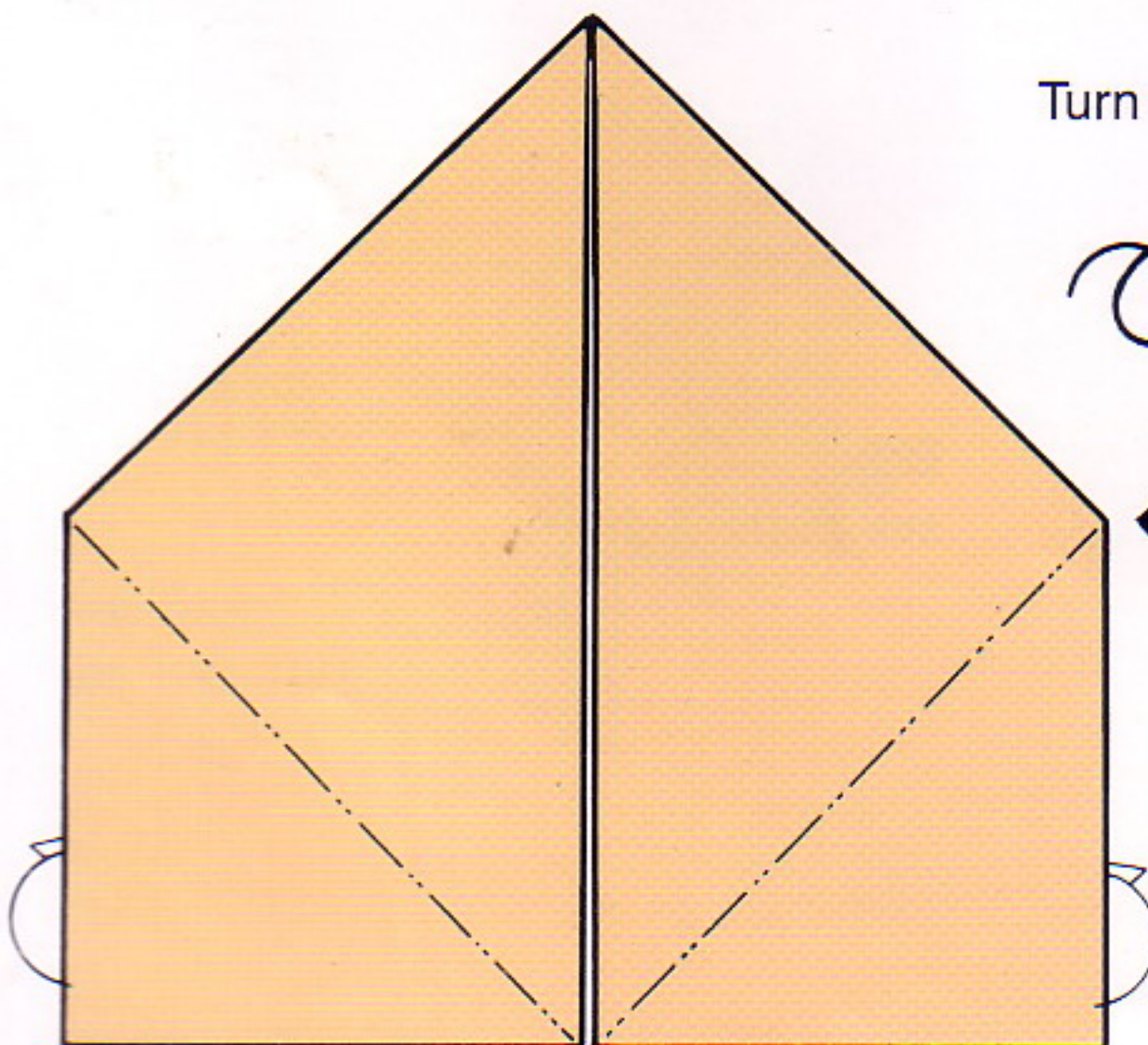
## KOALA BEAR



1



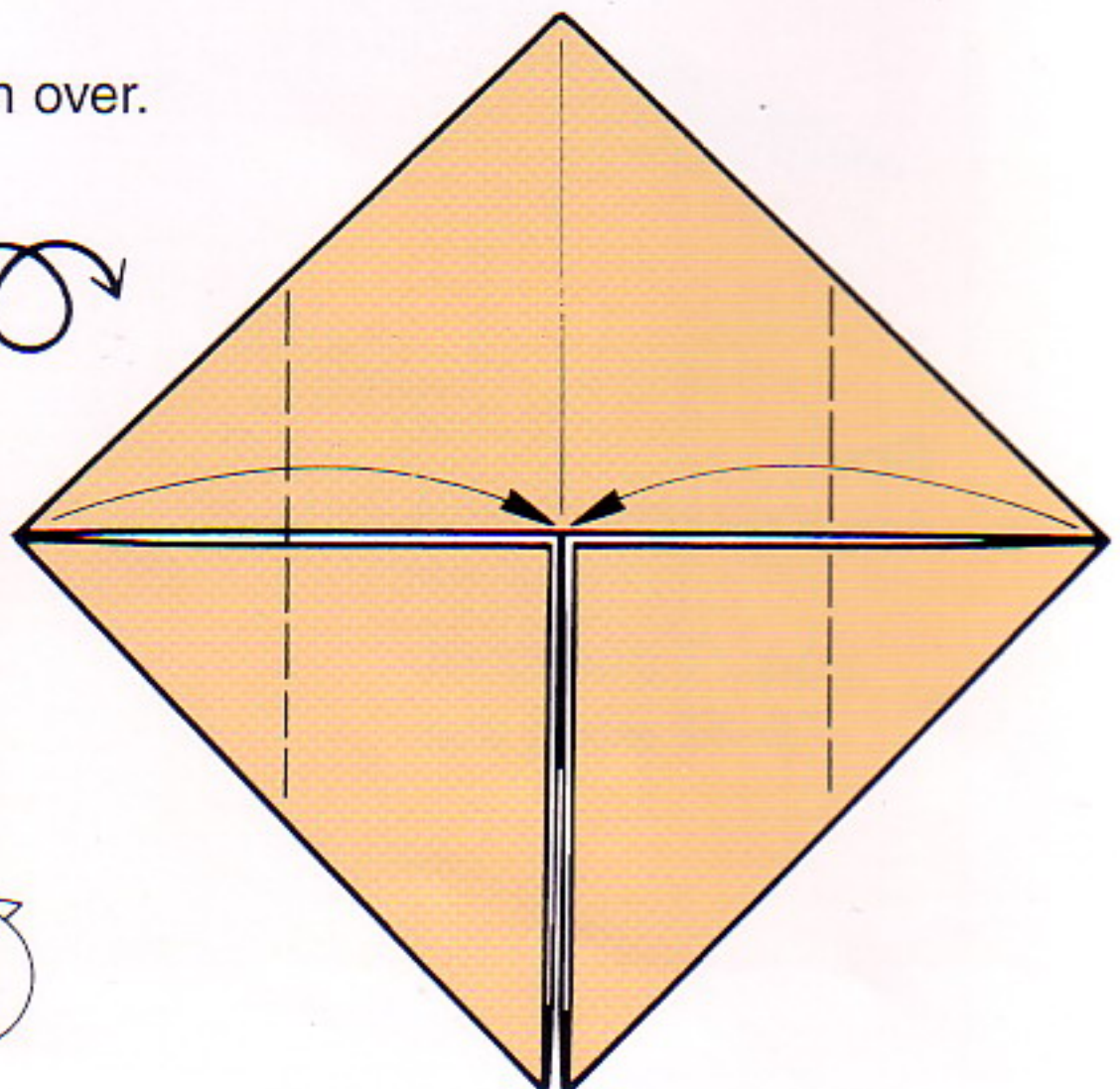
2



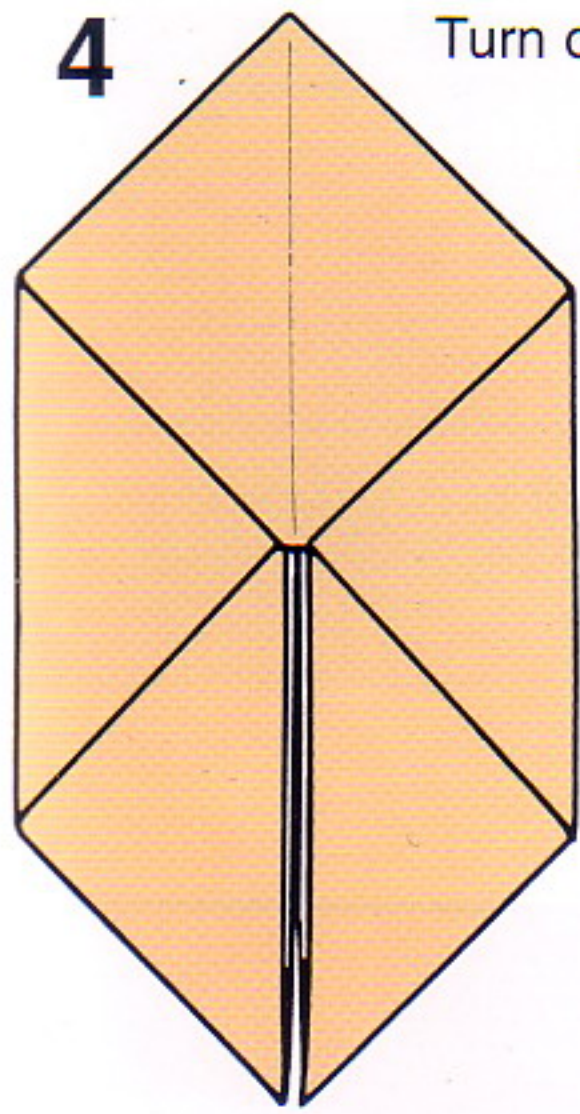
Turn over.



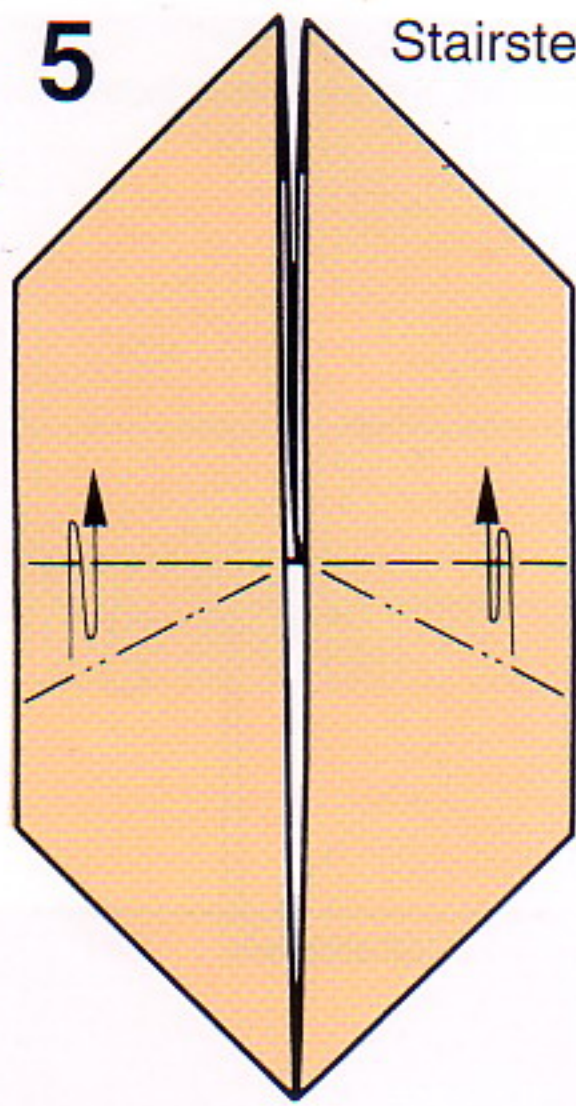
3



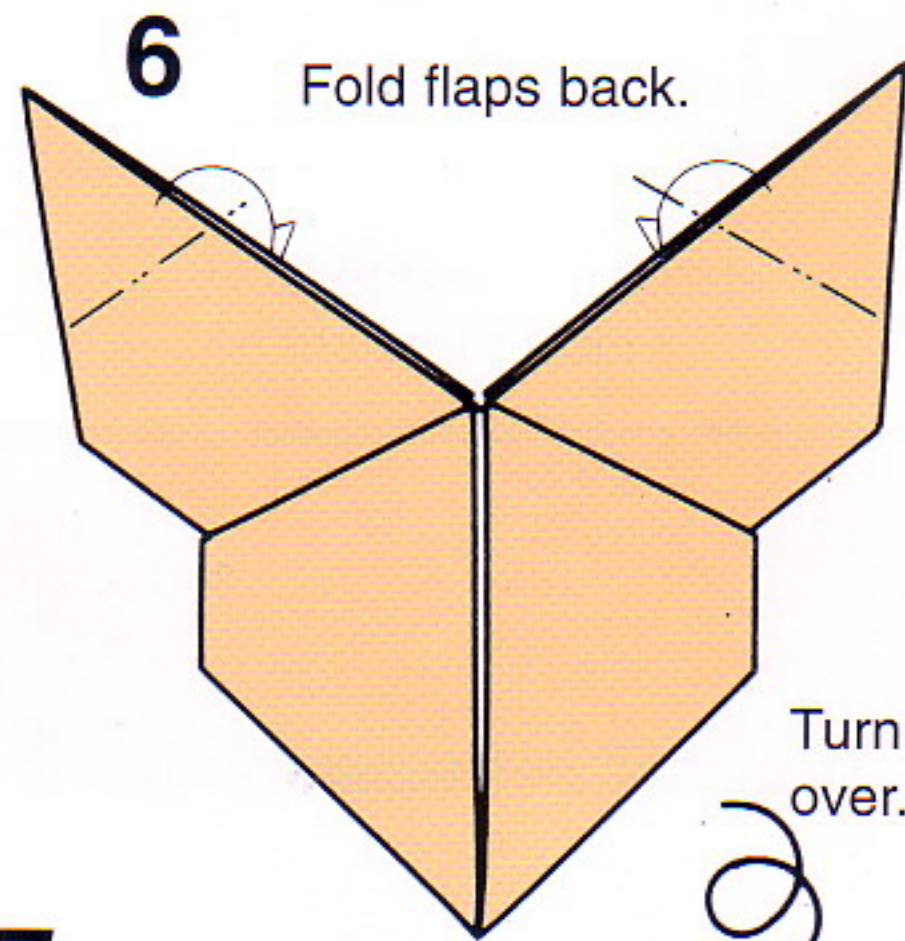




Turn over.

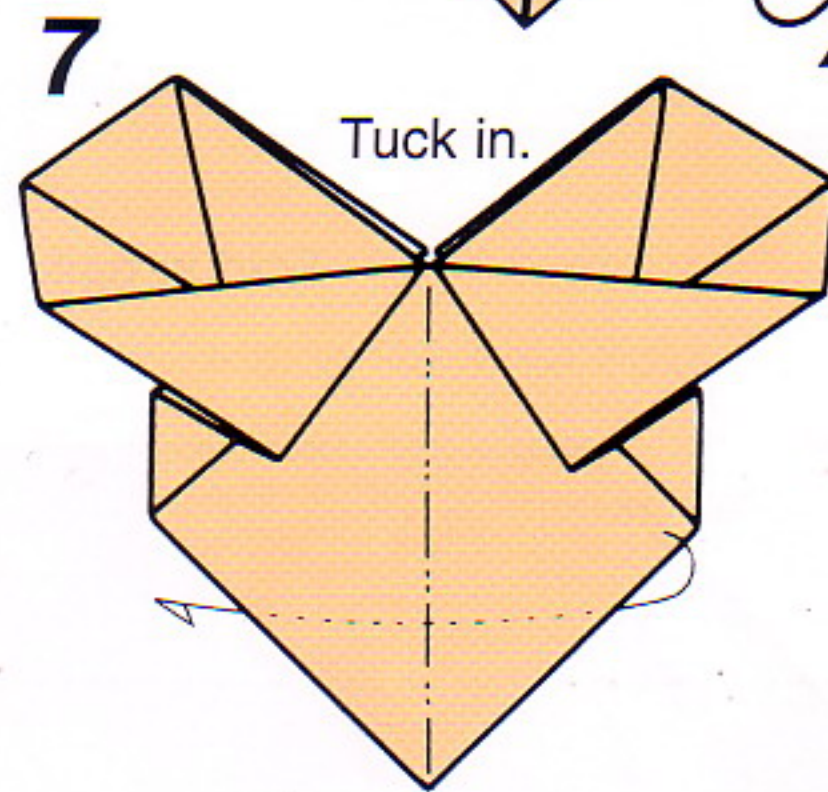


Stairstep Fold.

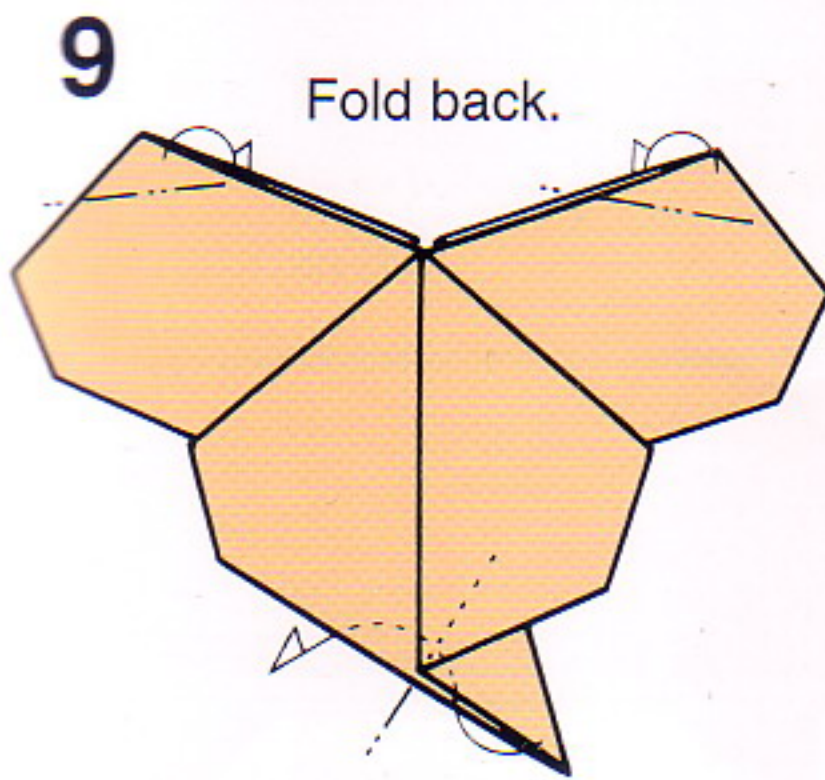


Fold flaps back.

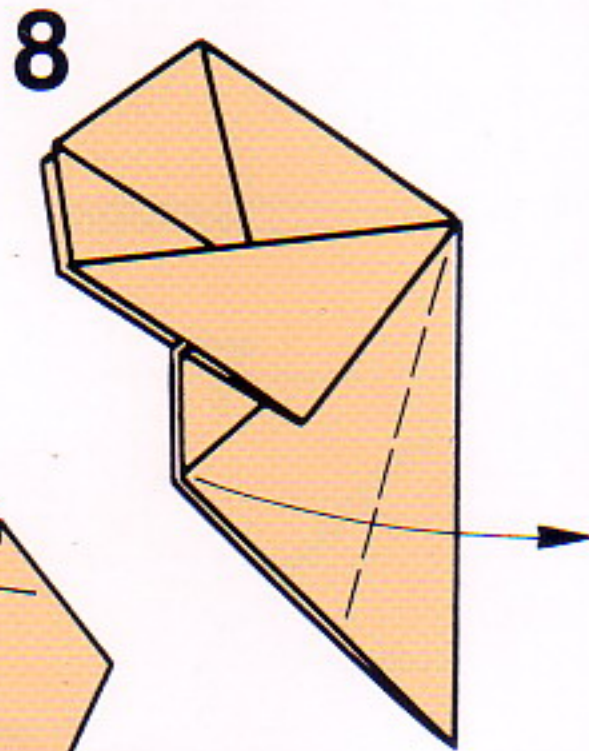
Turn over.



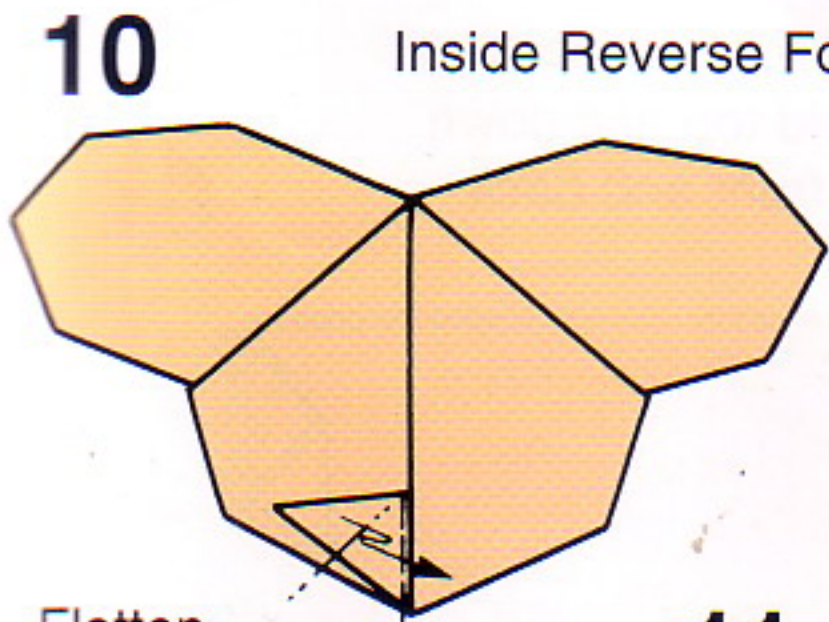
Tuck in.



Fold back.

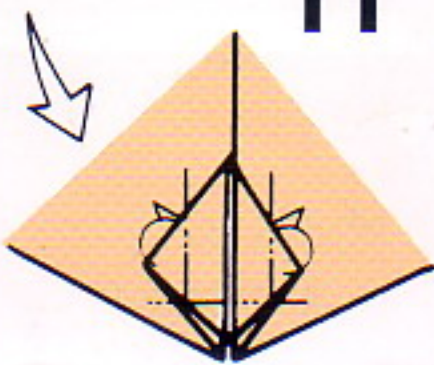


Open top to right along the crease so that small tip extends outward at bottom.

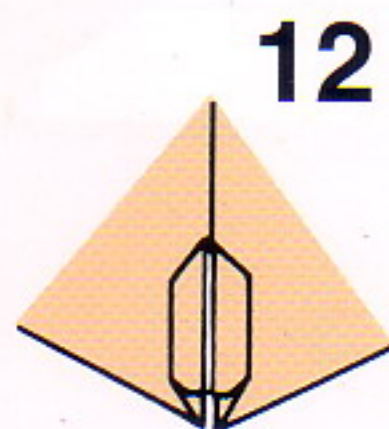


Inside Reverse Fold.

Flatten.



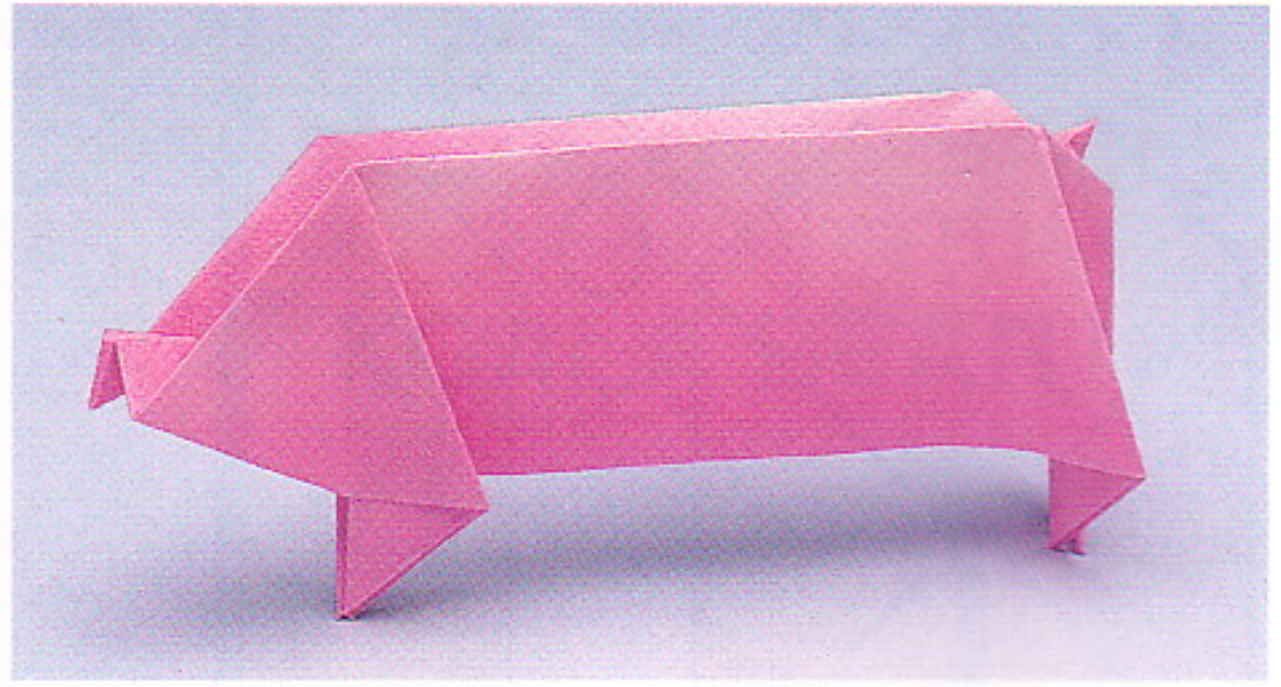
Fold back to form nose.



Completed.

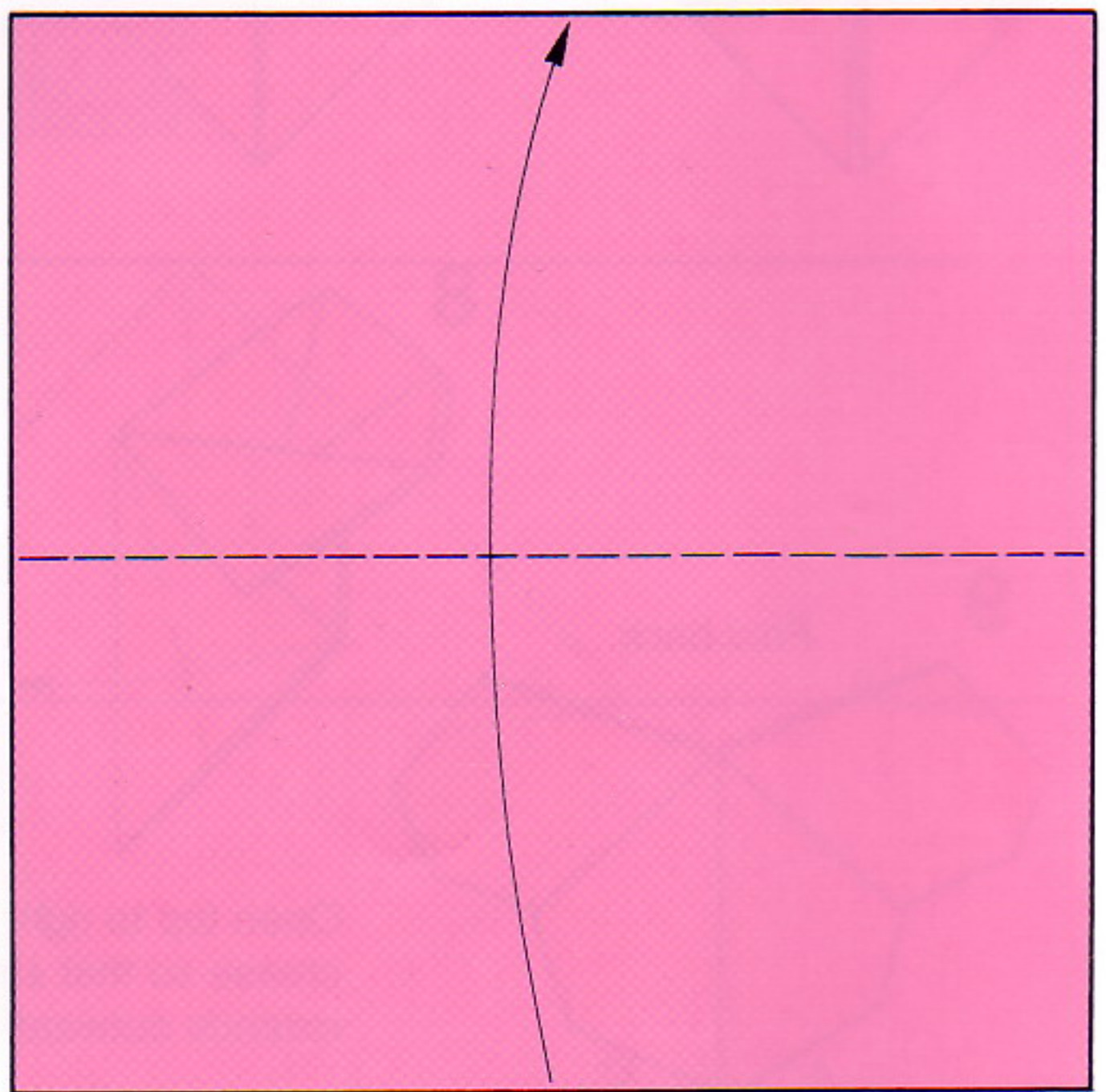


# PIG

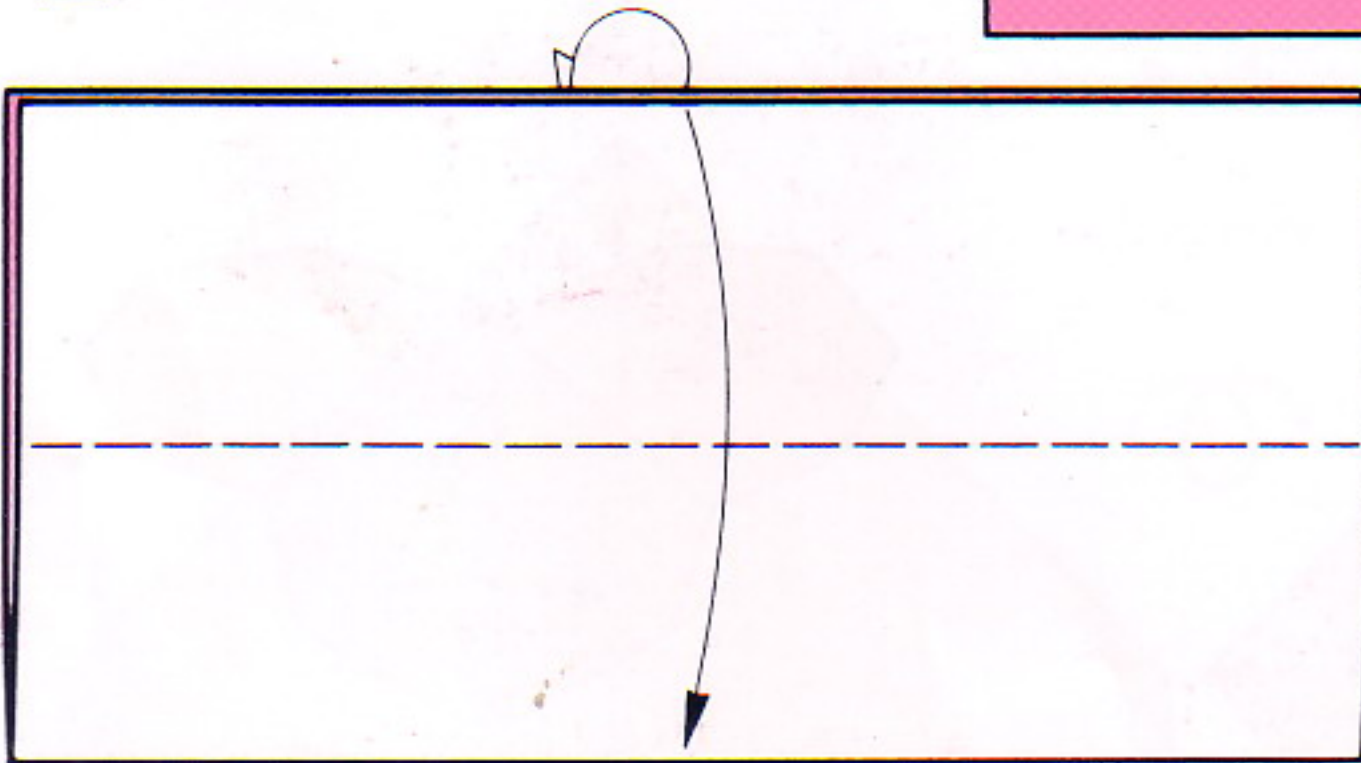


1

Fold in half.



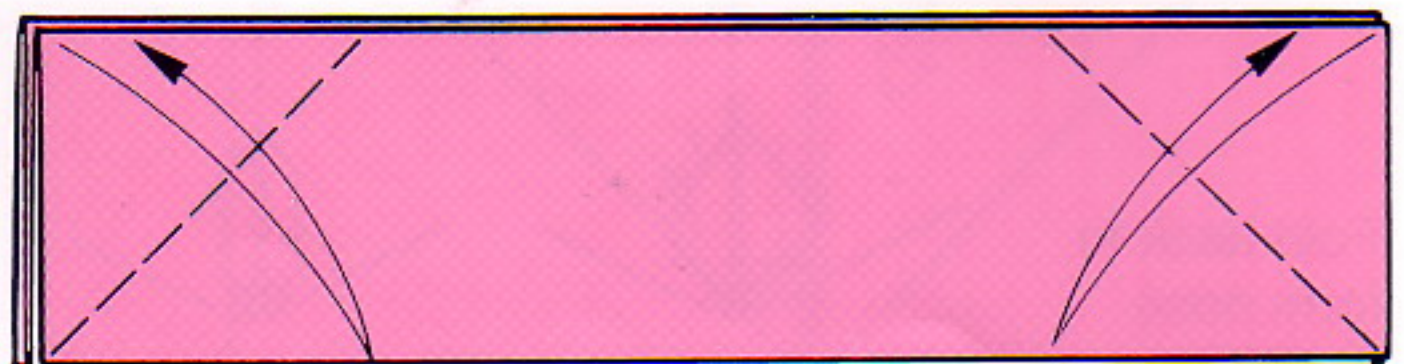
2



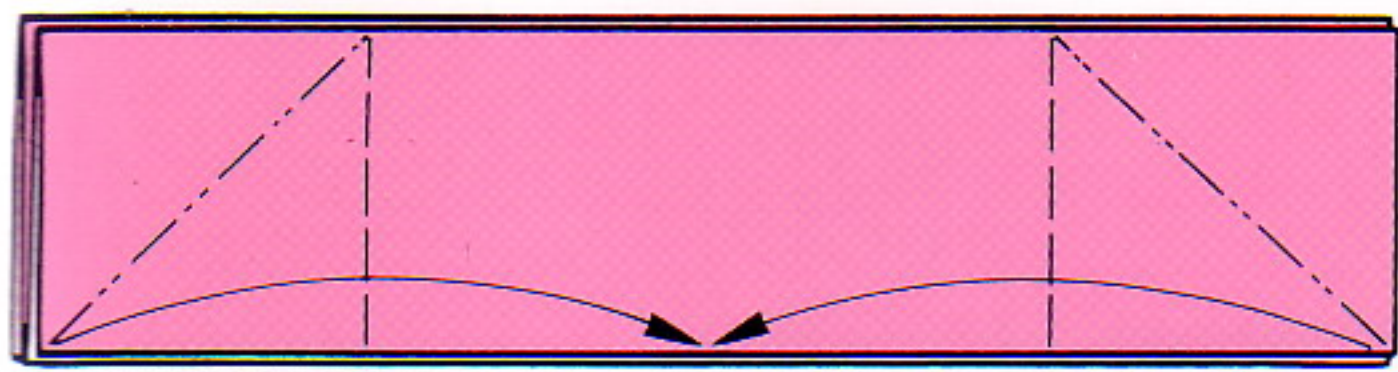
Fold top half down  
in front and back.

Make creases.

3





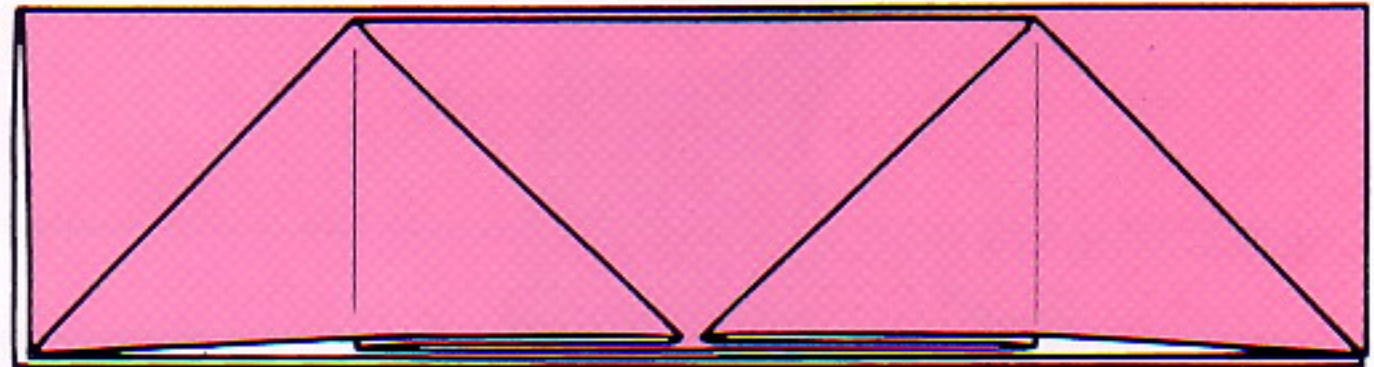


4

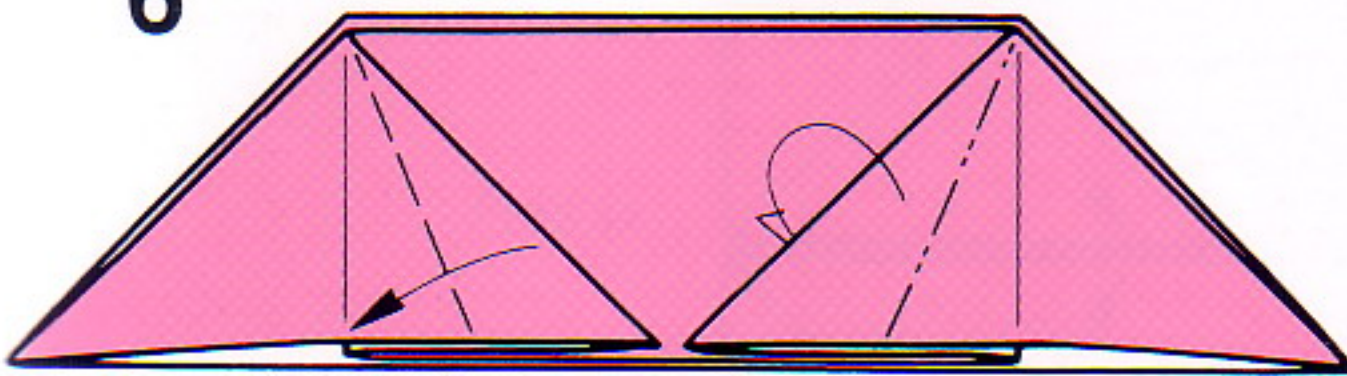
Open out and flatten.

Repeat the same folds on the other side.

5

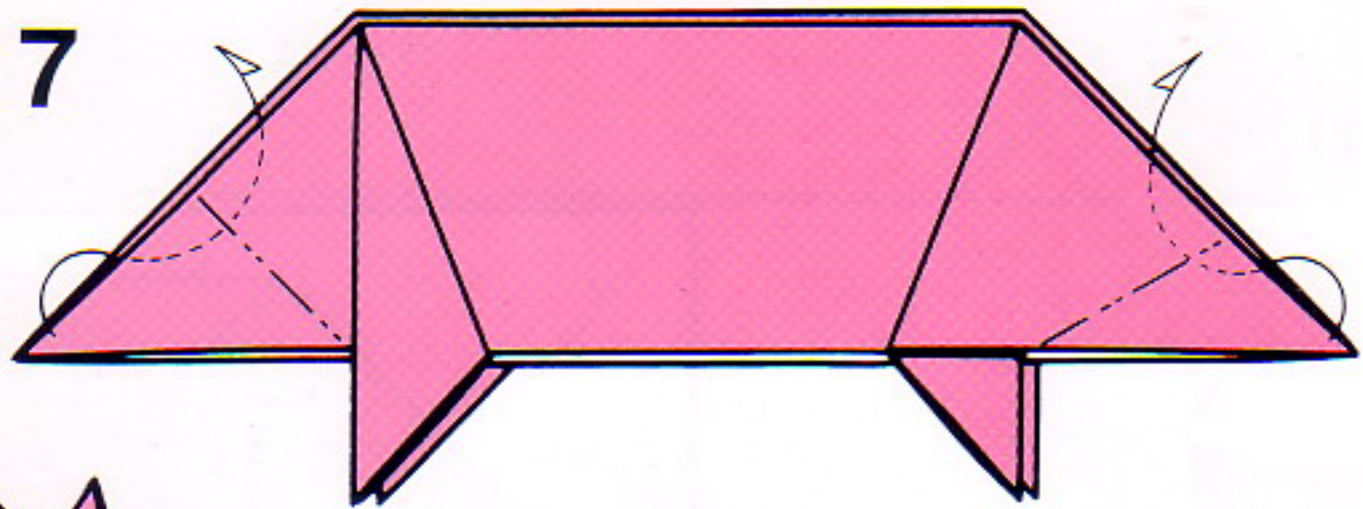


6



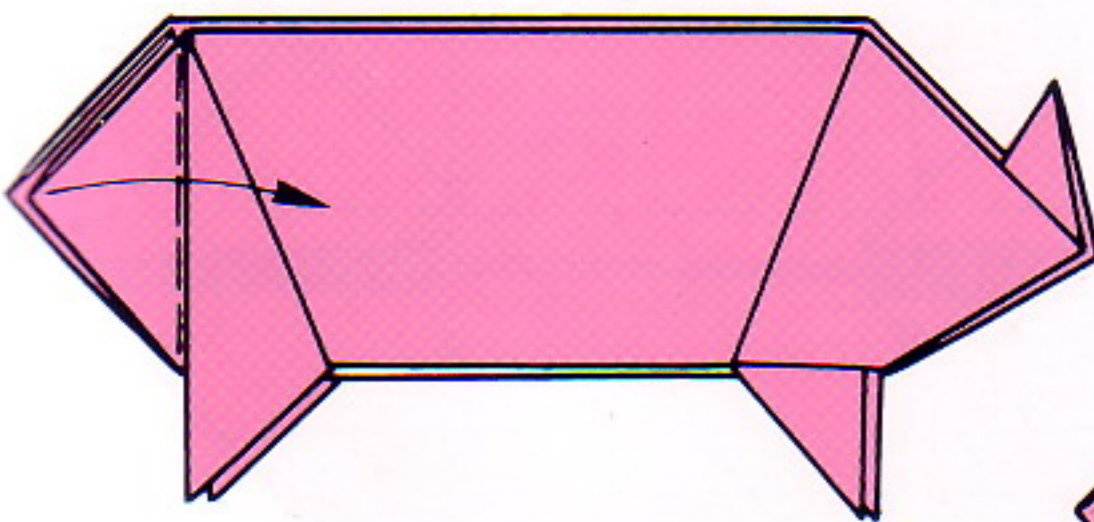
Inside Reverse Fold.

7



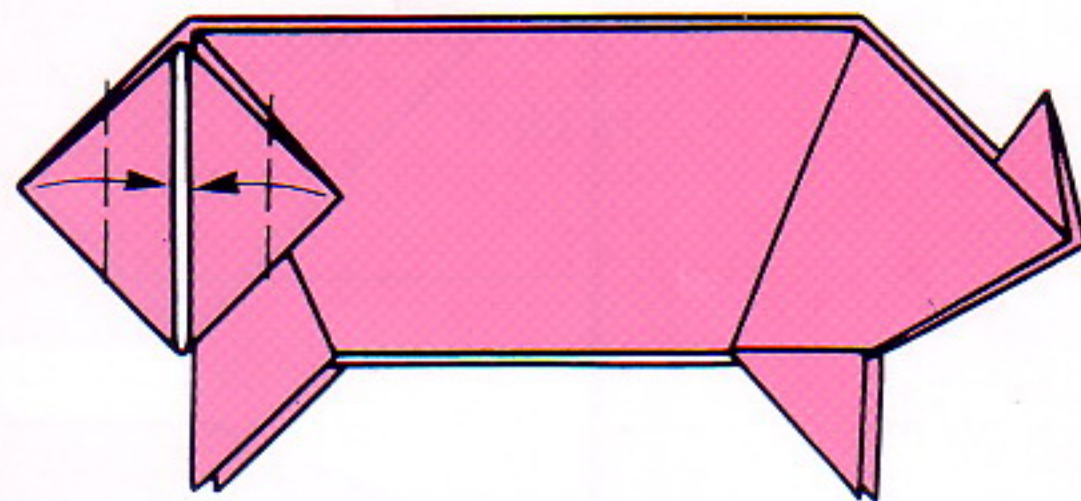
8

Open out.

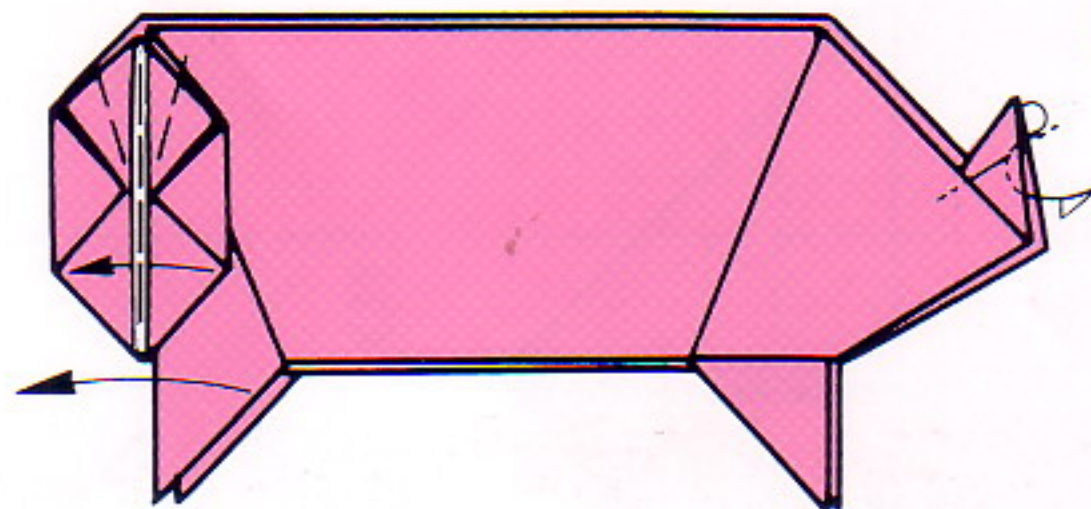


9

Fold in.

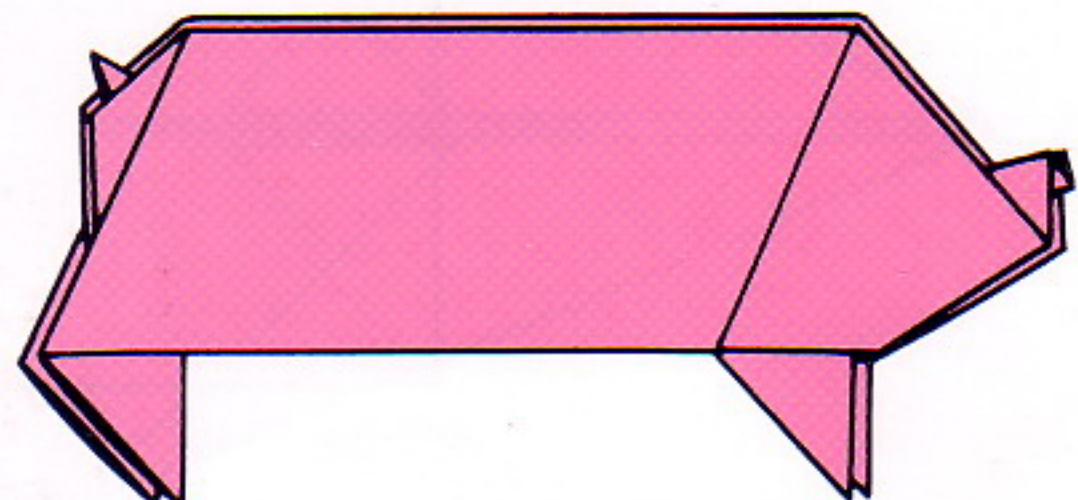


10



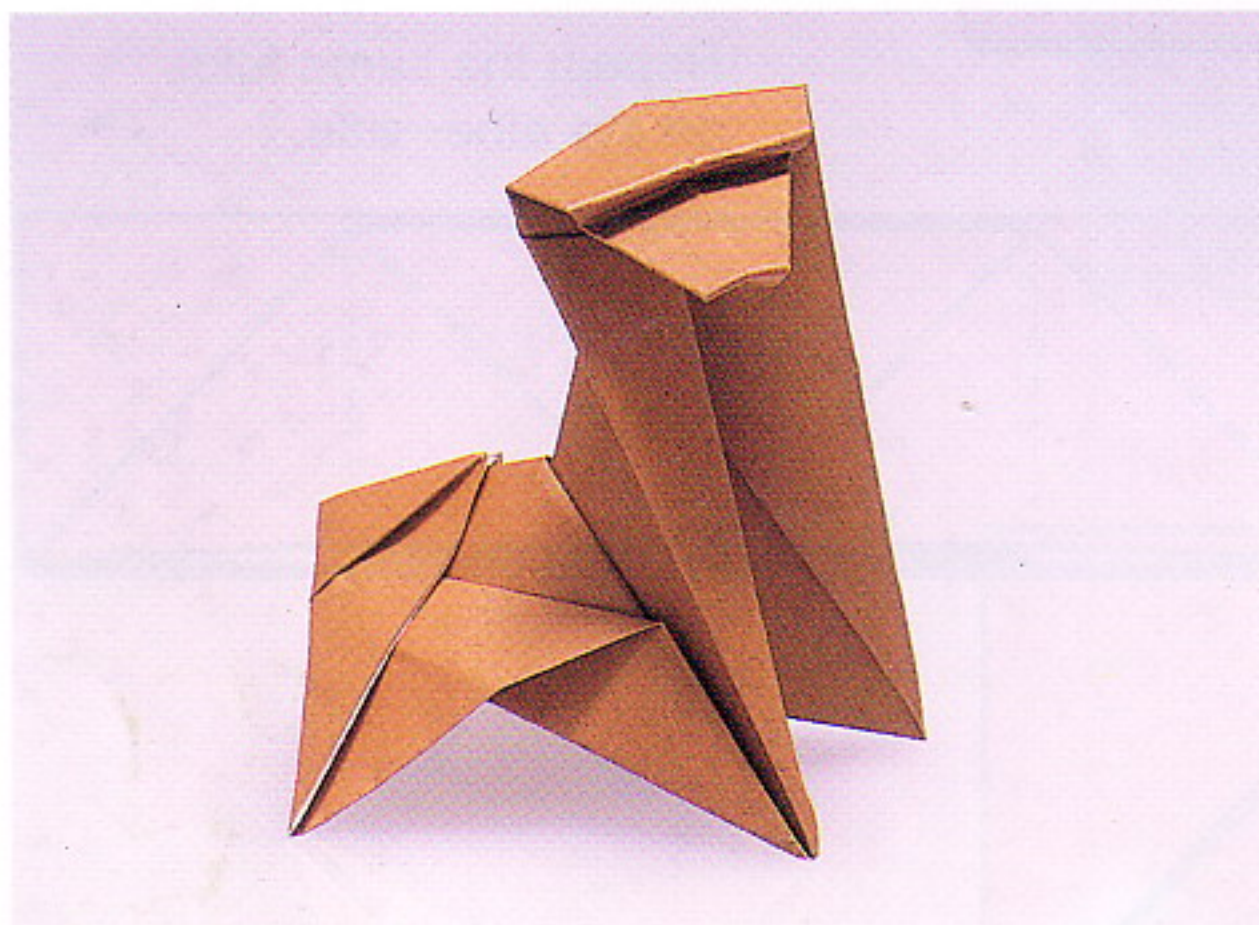
Inside Reverse Folds to form snout and tail.

Completed.



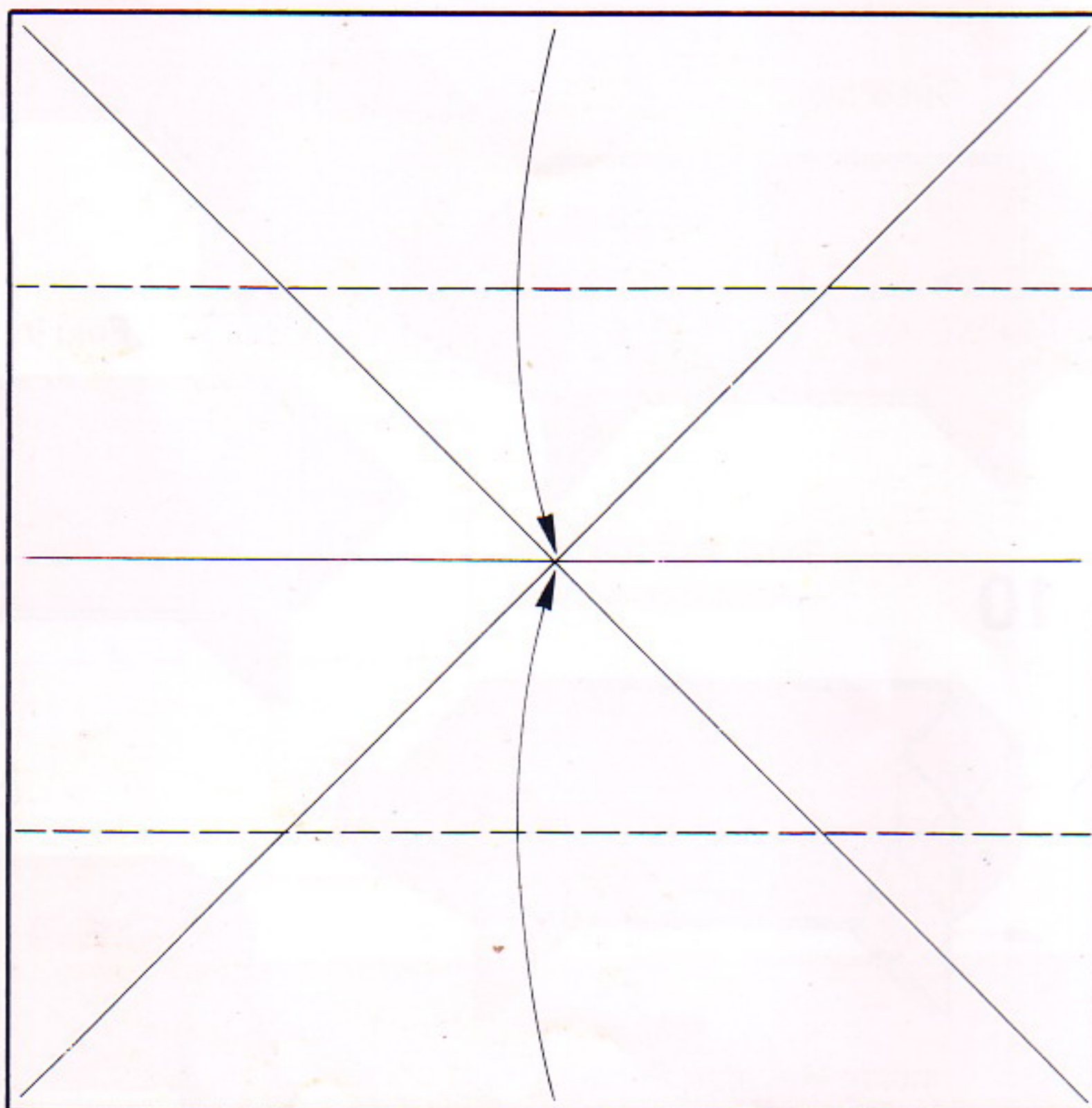


# MONKEY

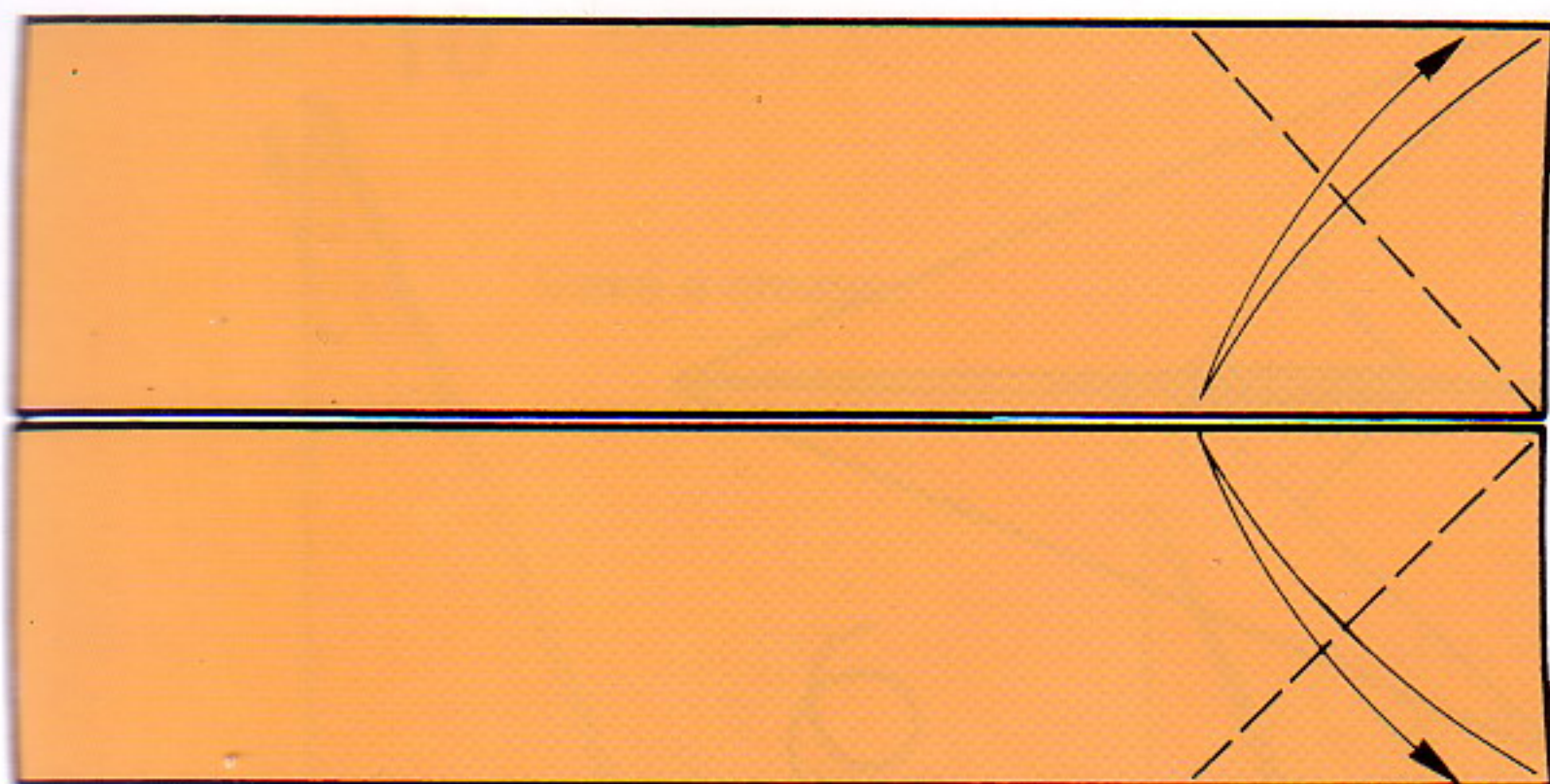


1

Make creases and fold in.



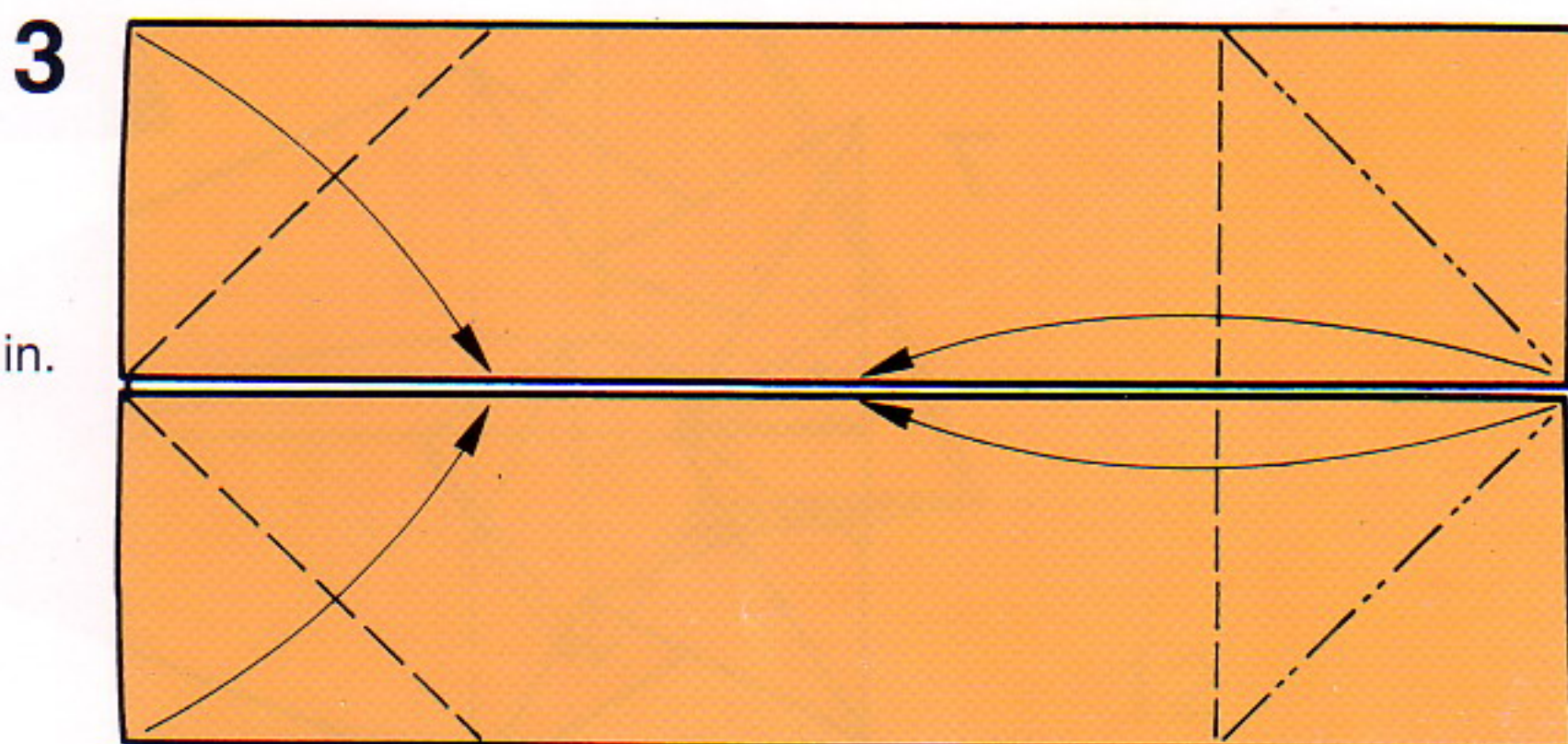




**2**

Make creases.

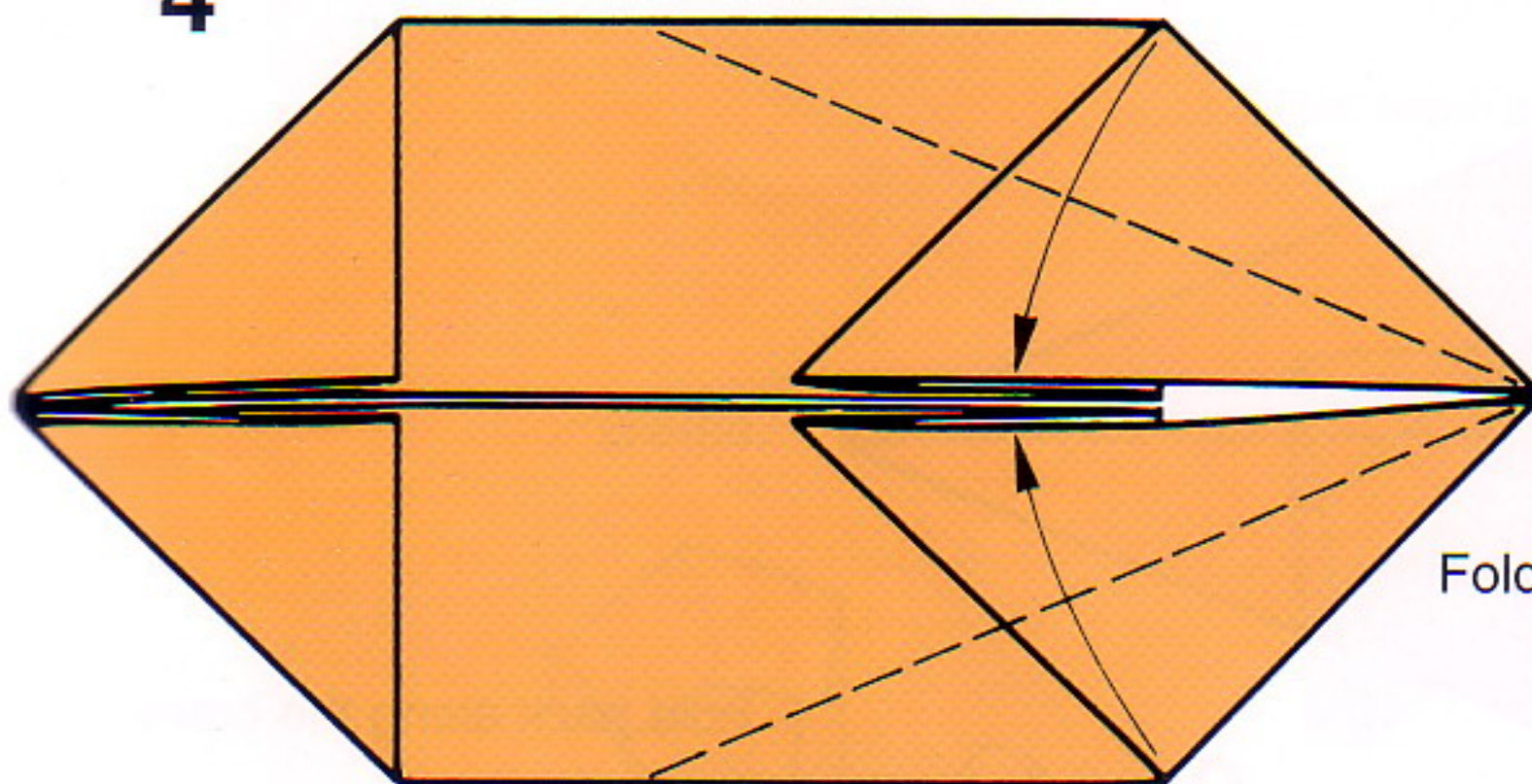
Open out and flatten.



**3**

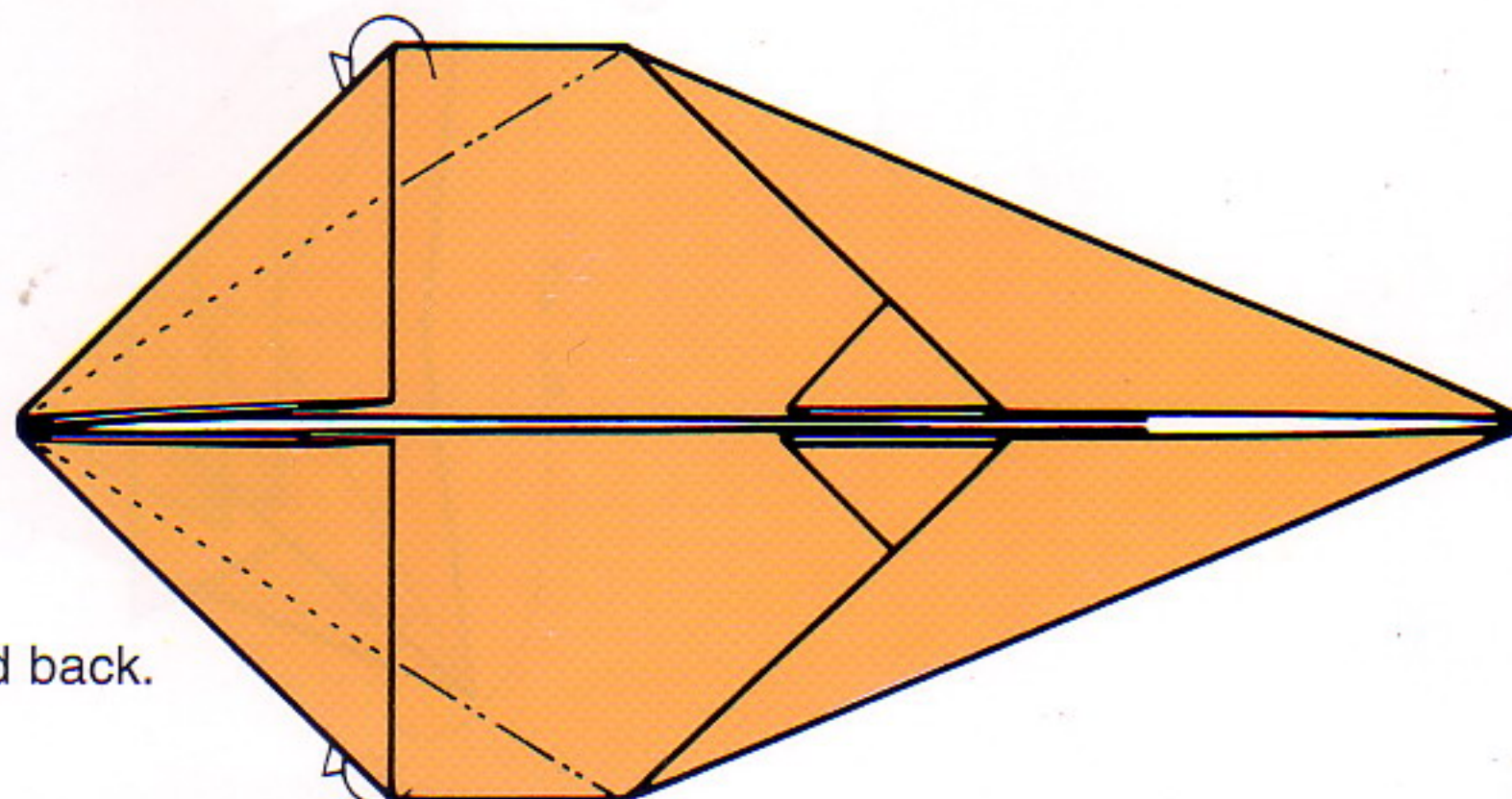
Fold in.

**4**



Fold in.

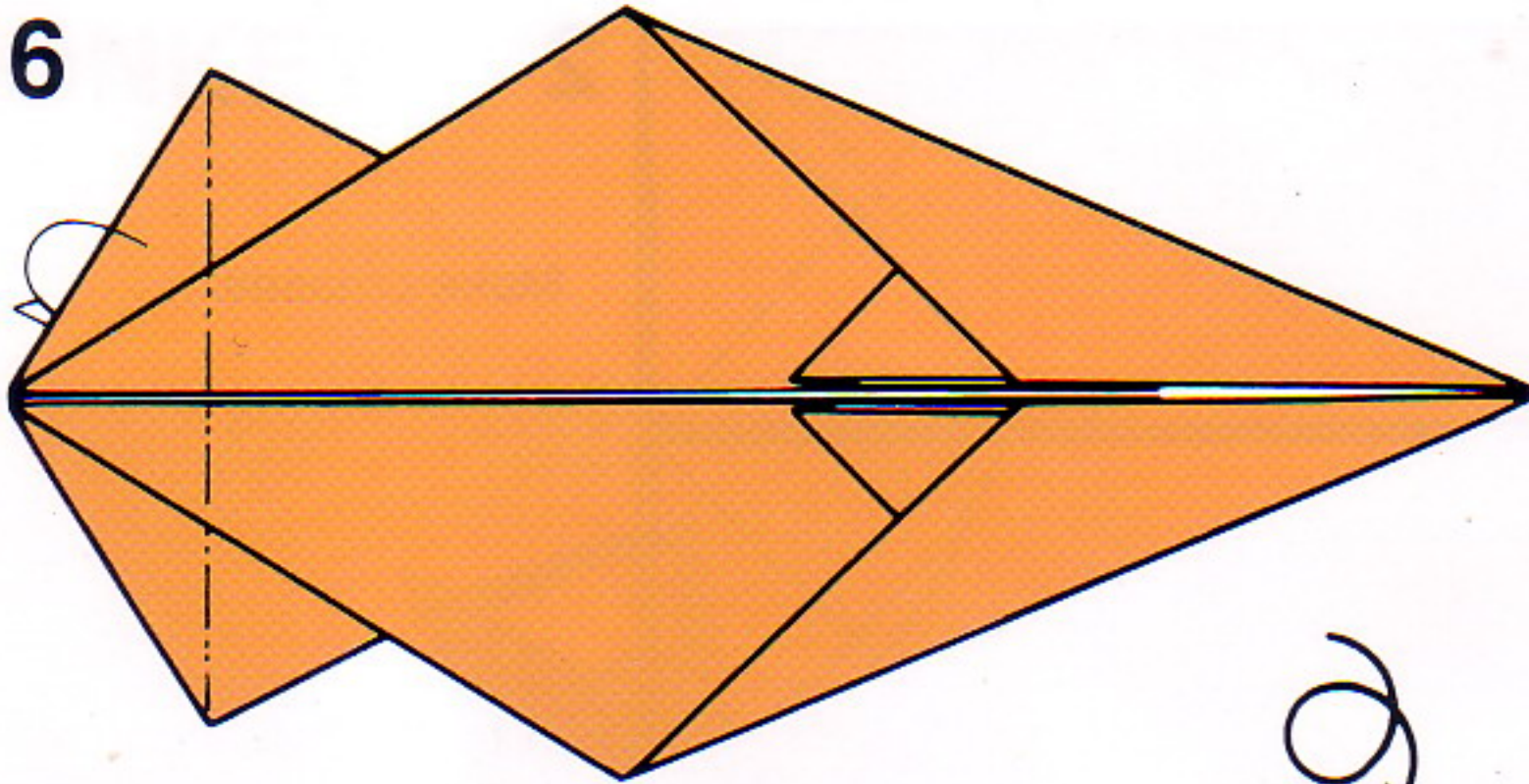
**5**



Fold back.



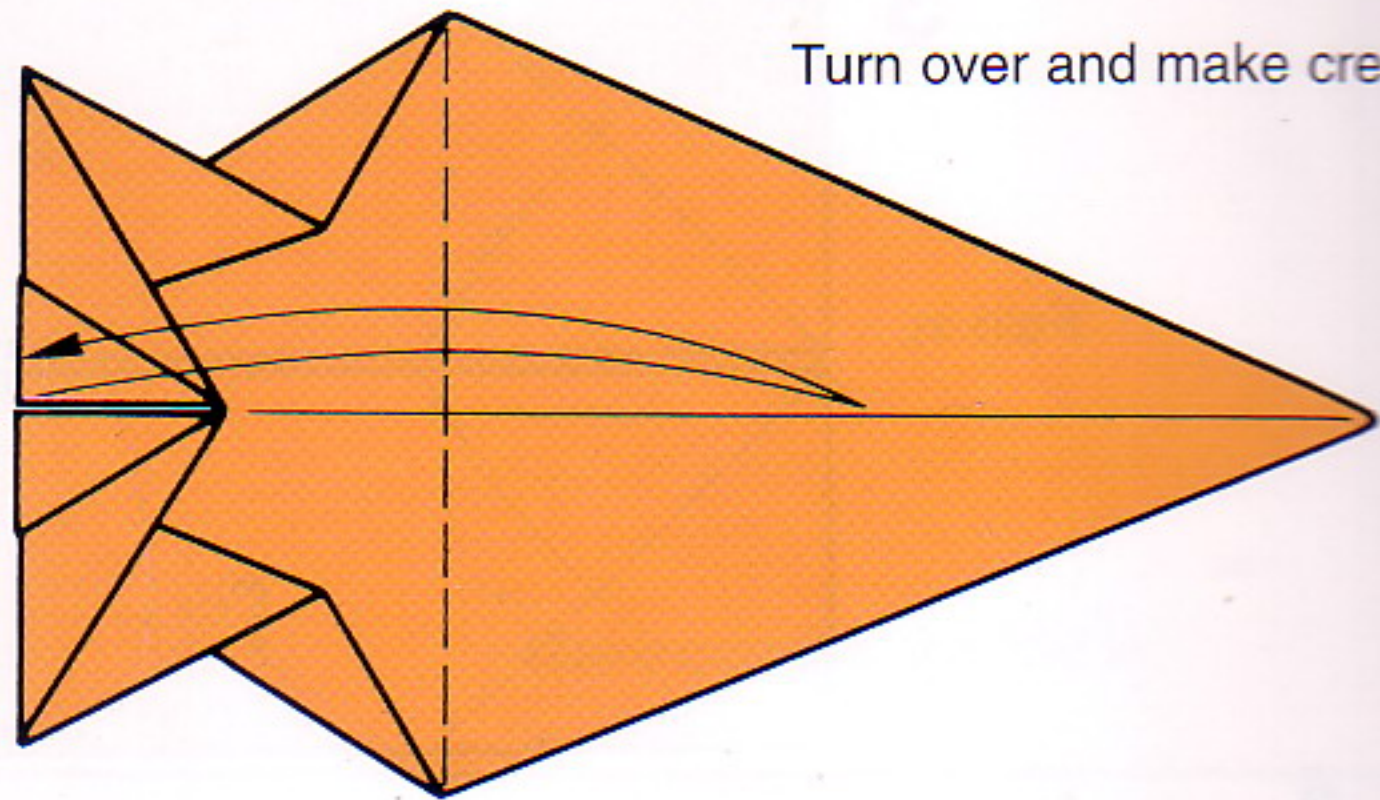
6



Fold back.

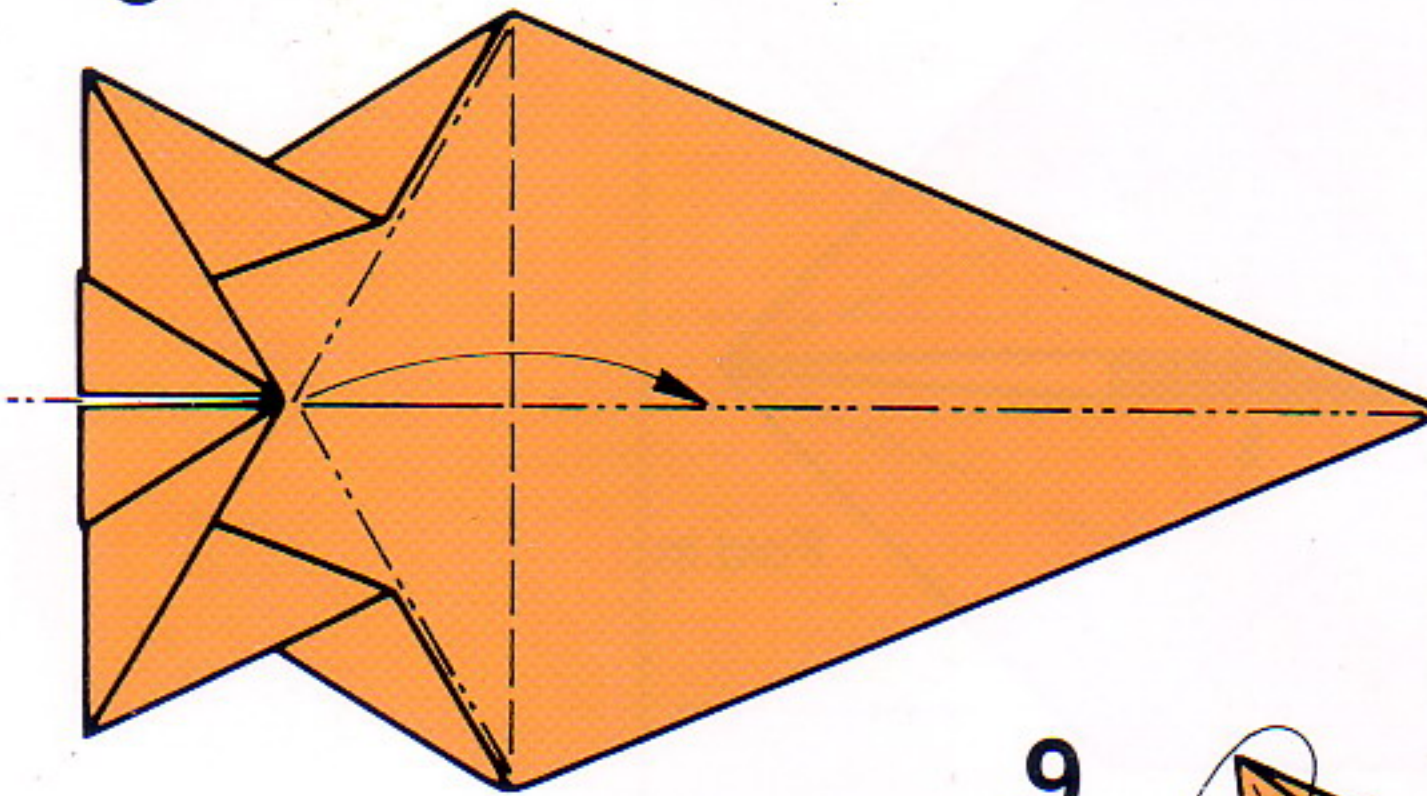


7



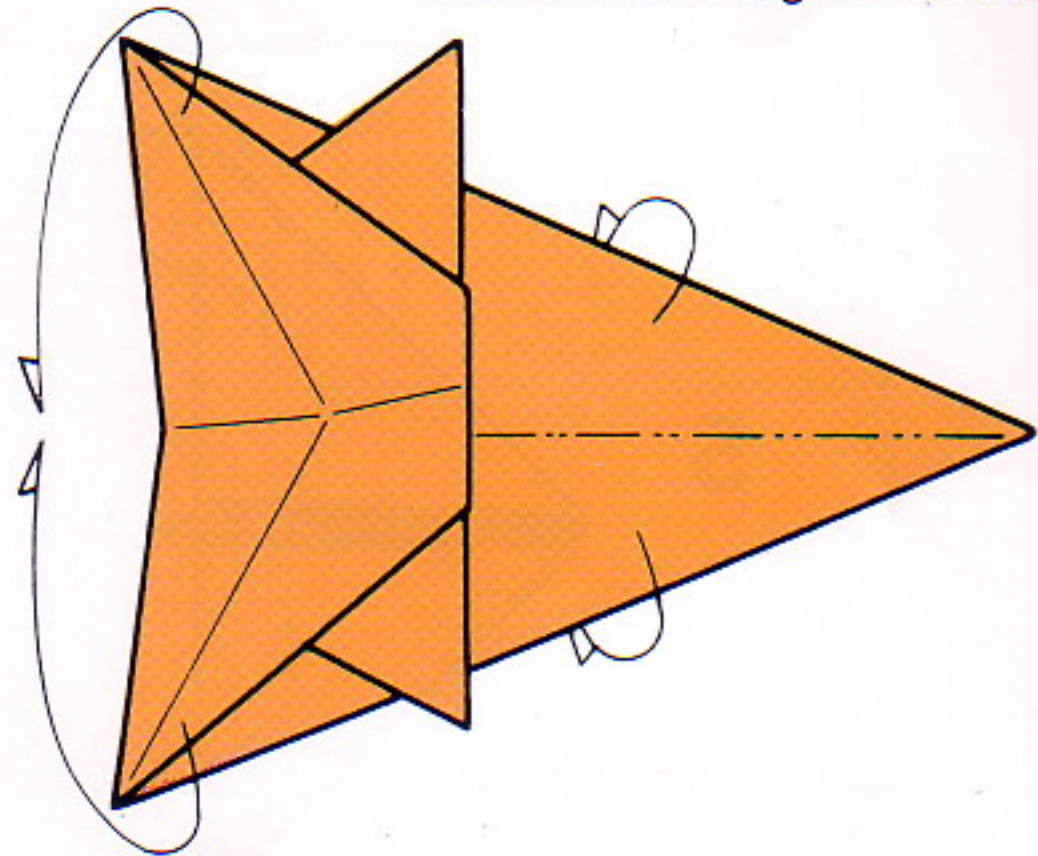
Turn over and make creases.

8



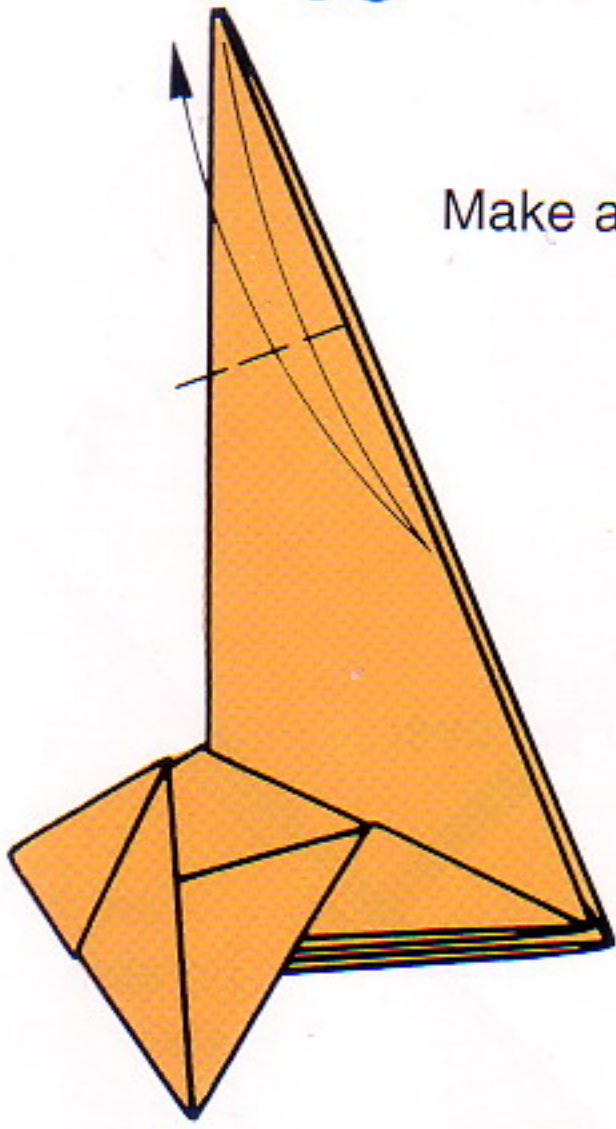
Fold back along the creases.

9



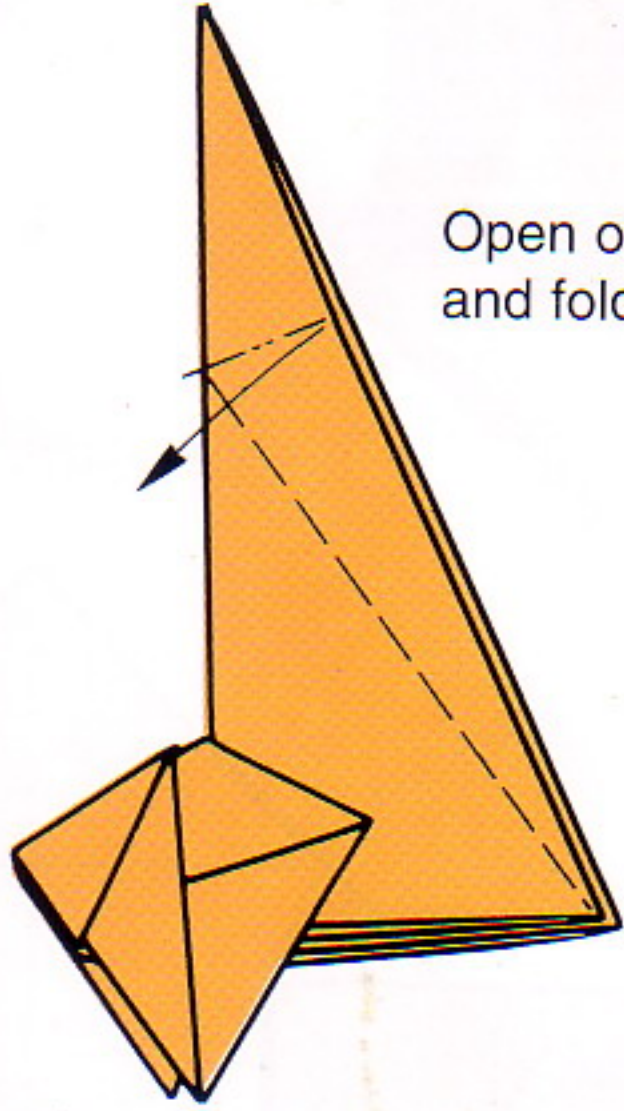


**10**



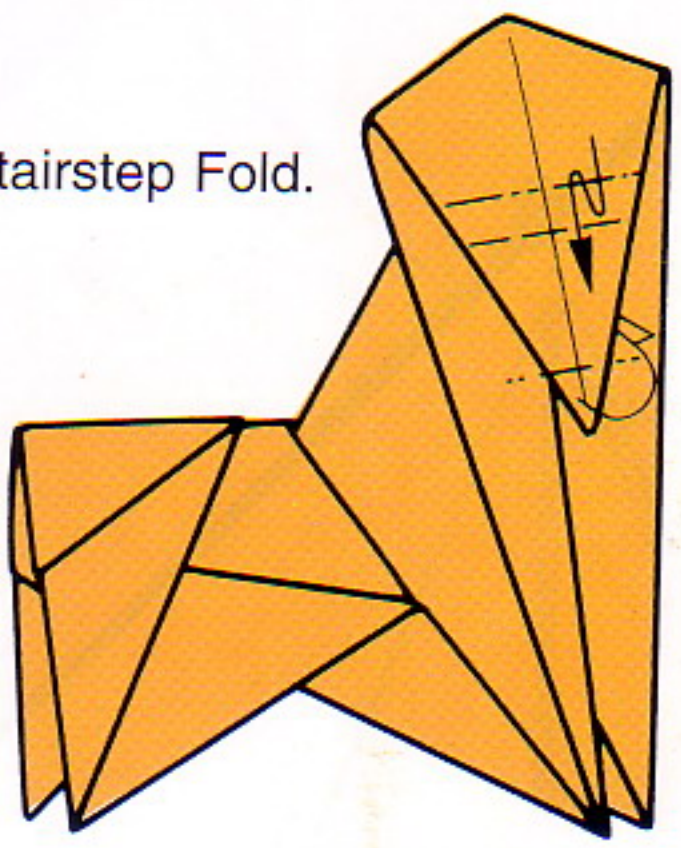
Make a crease.

**11**



Open out along the creases and fold top flap down.

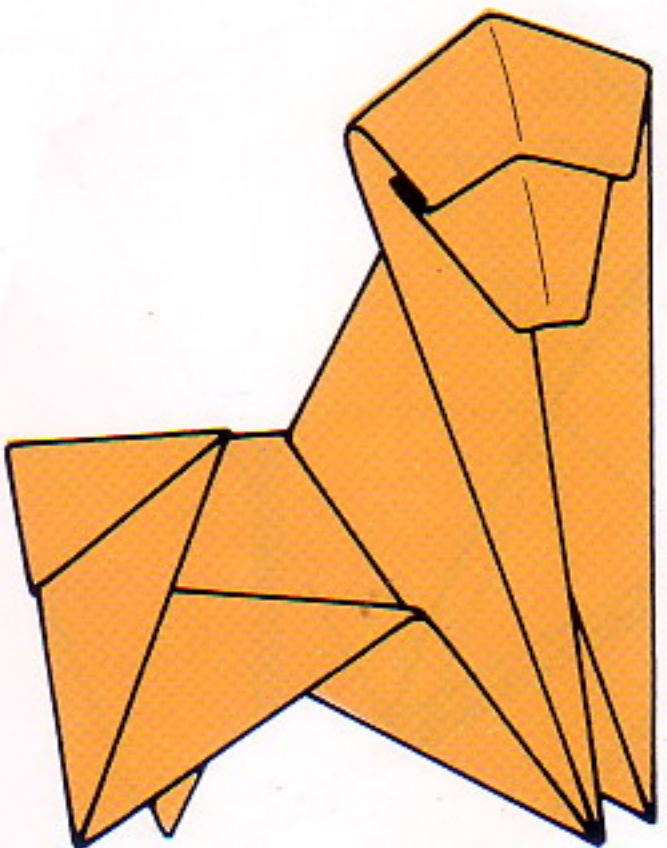
**12**



Stairstep Fold.

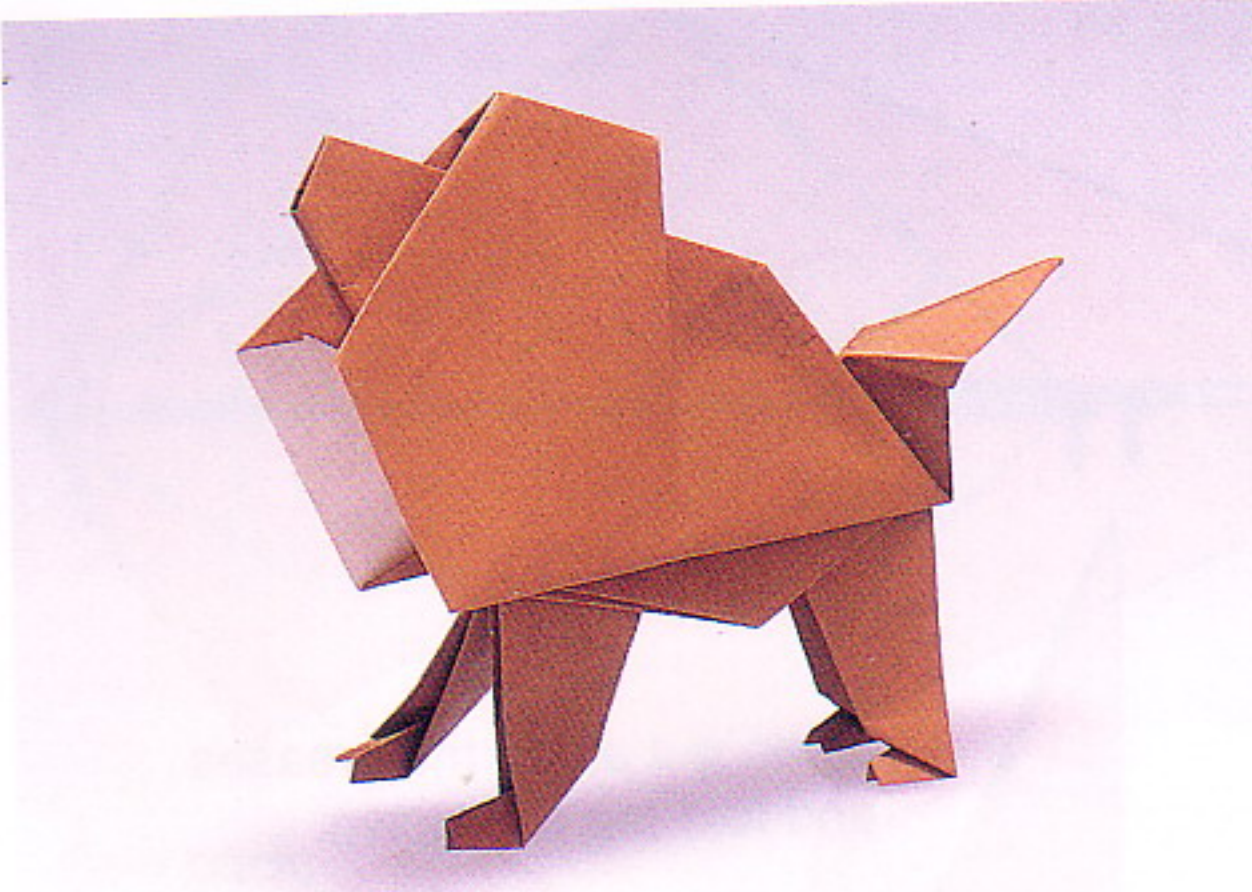
Push in.

Completed.



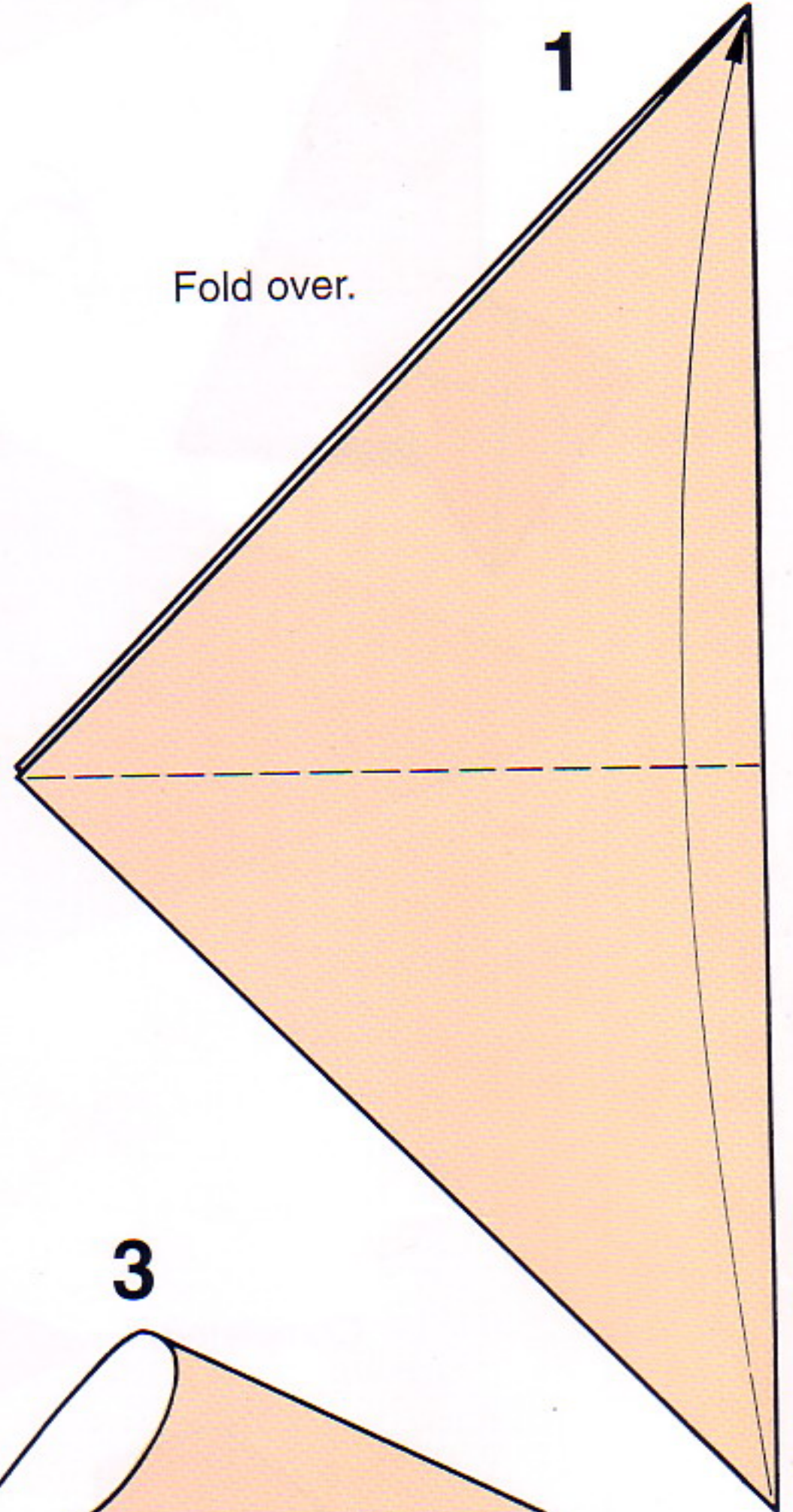


# LION



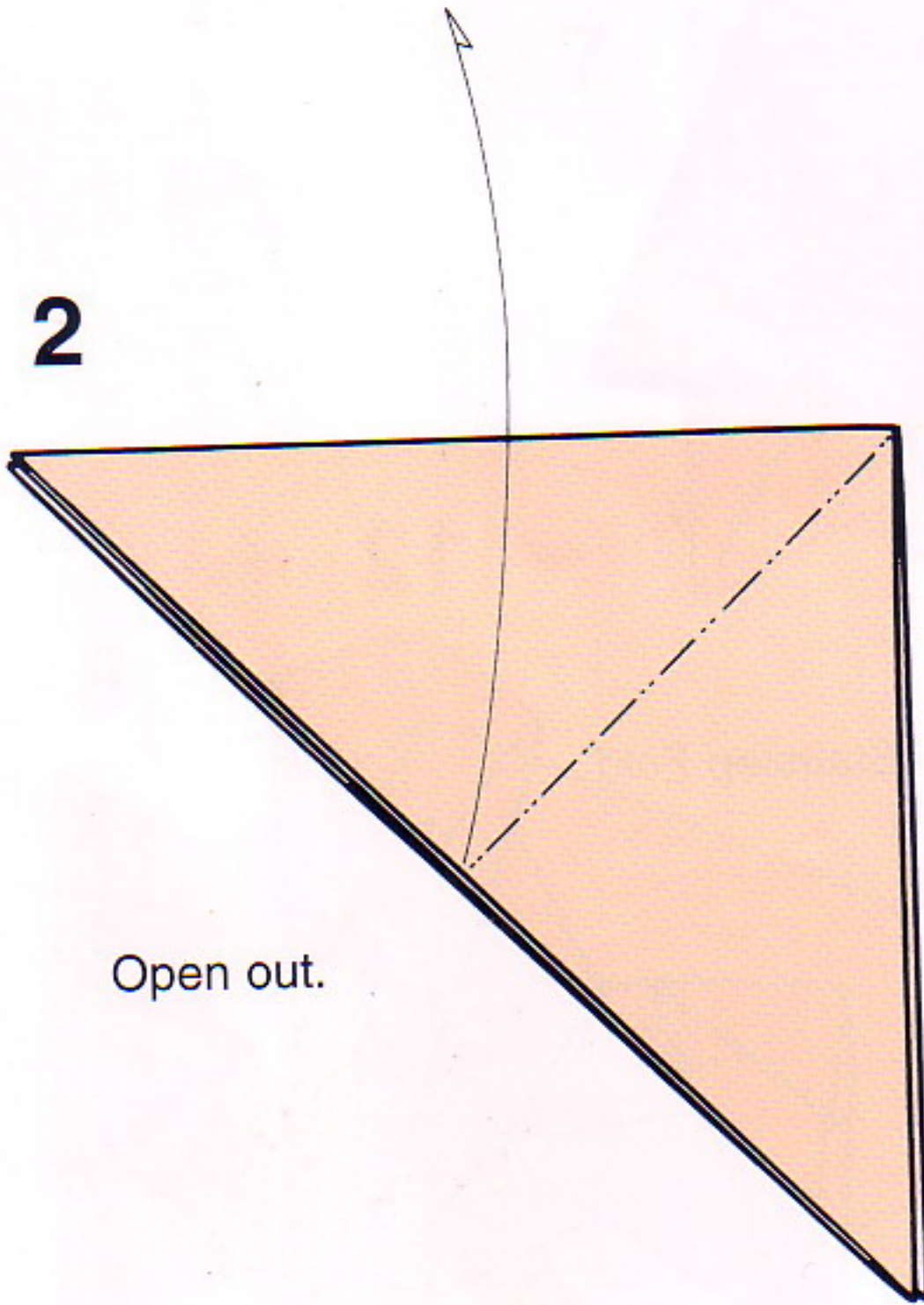
1

Fold over.



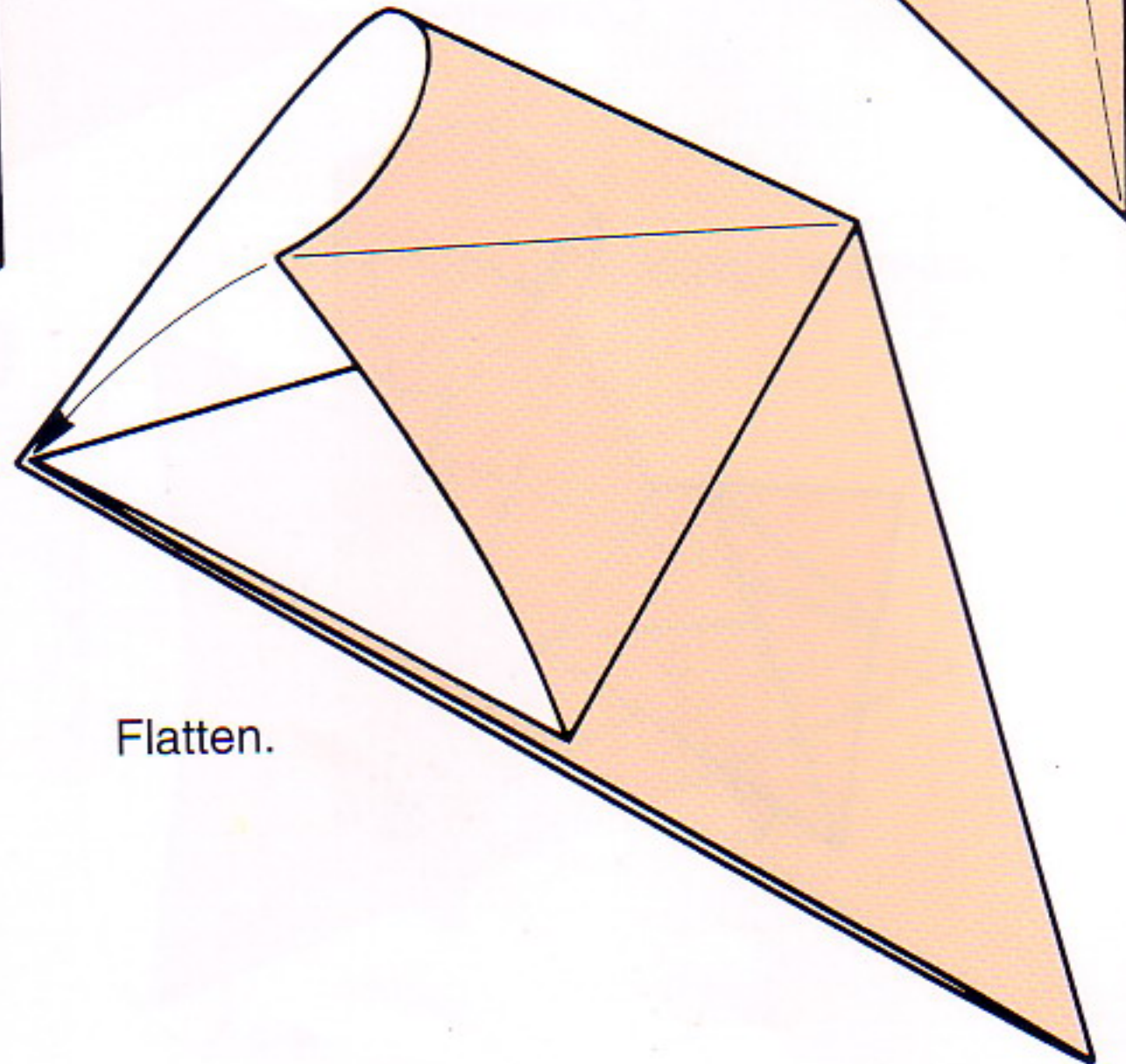
2

Open out.

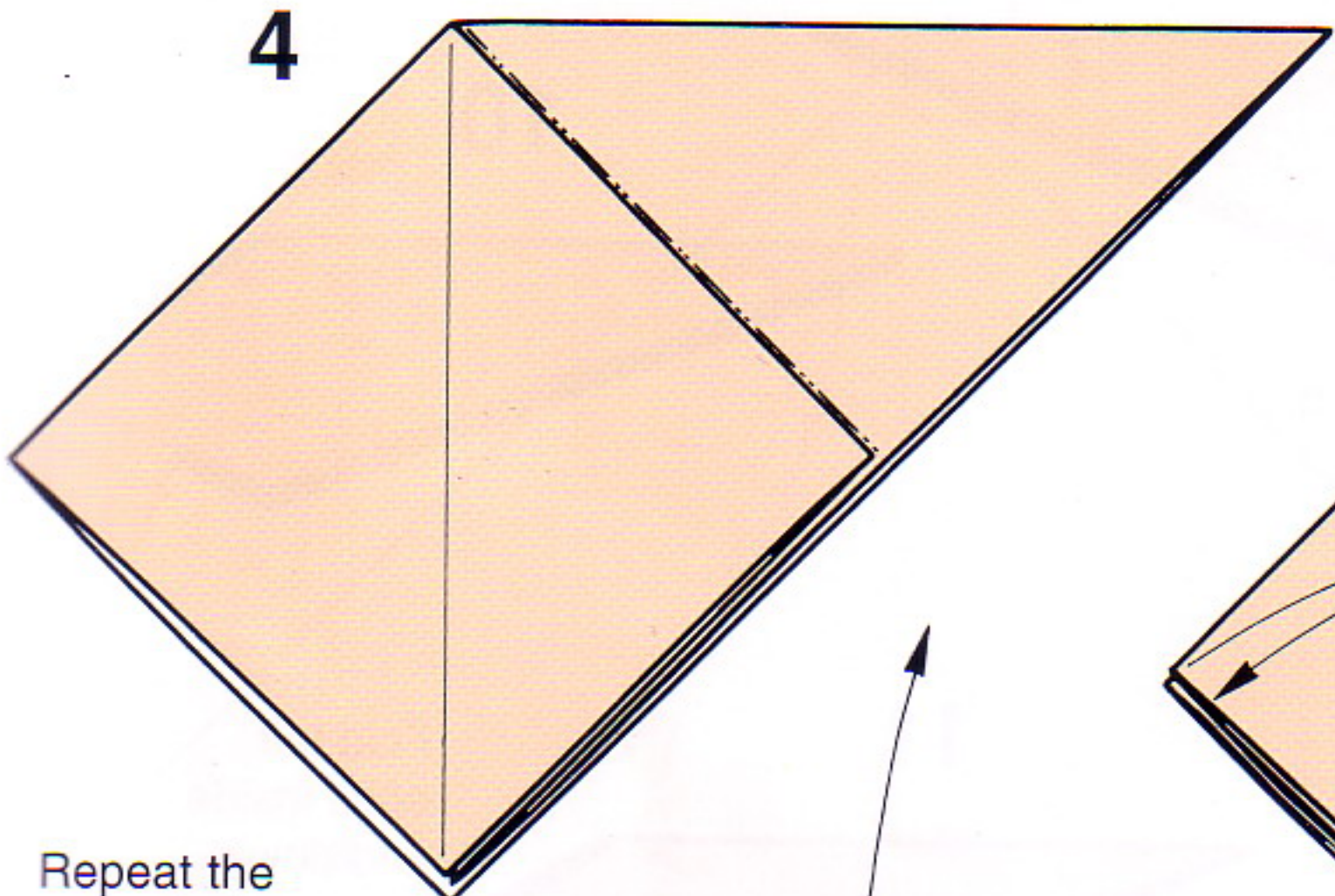


3

Flatten.

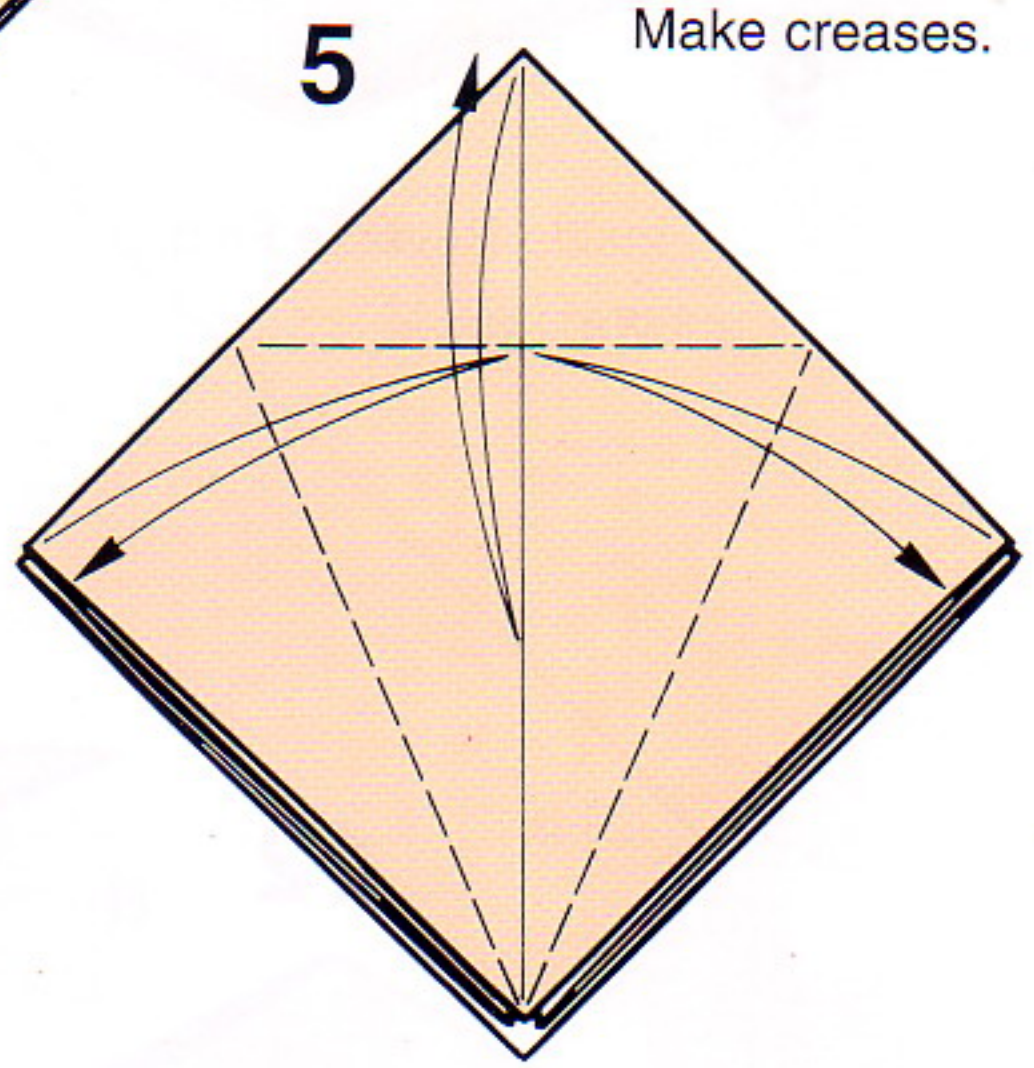






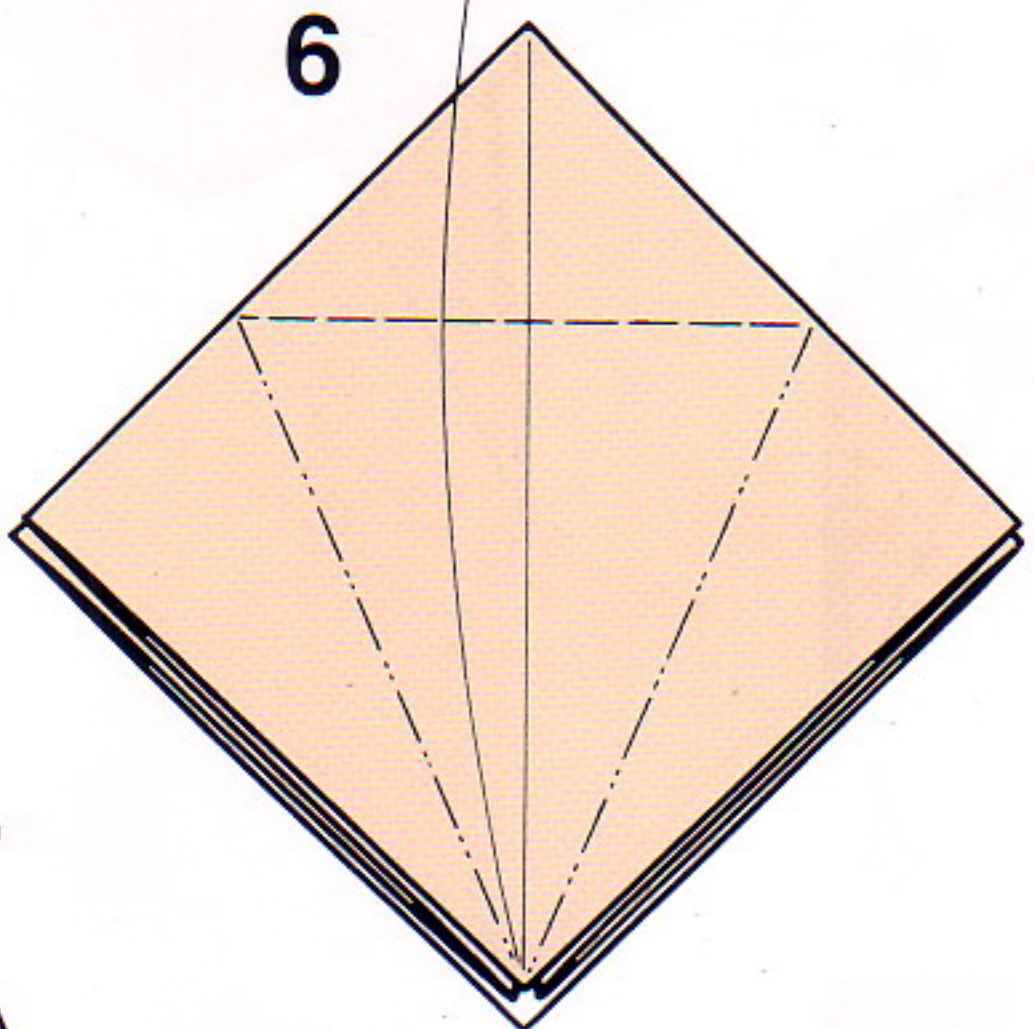
4

Repeat the same folds on the other side.



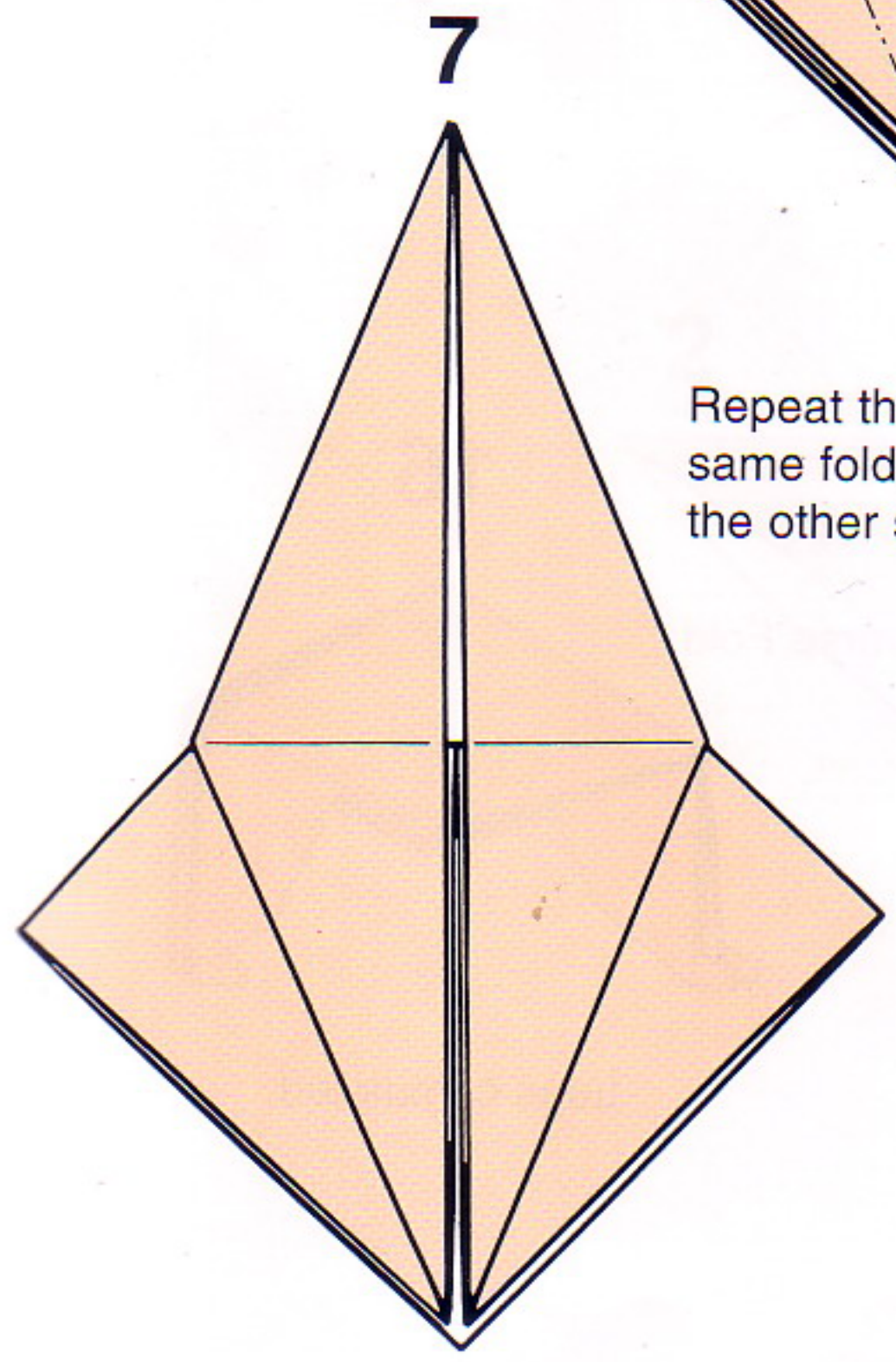
5

Make creases.



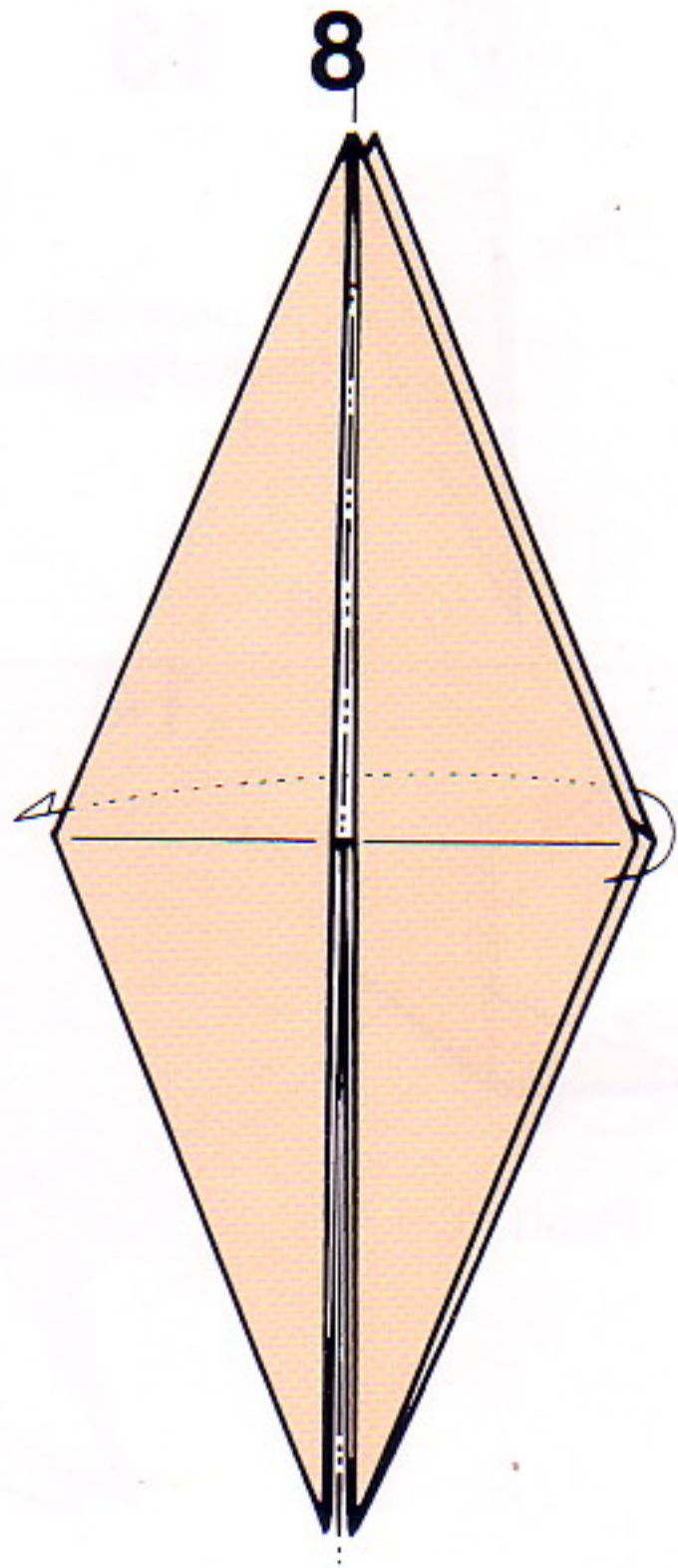
6

Fold flap up and flatten inward along the creases.



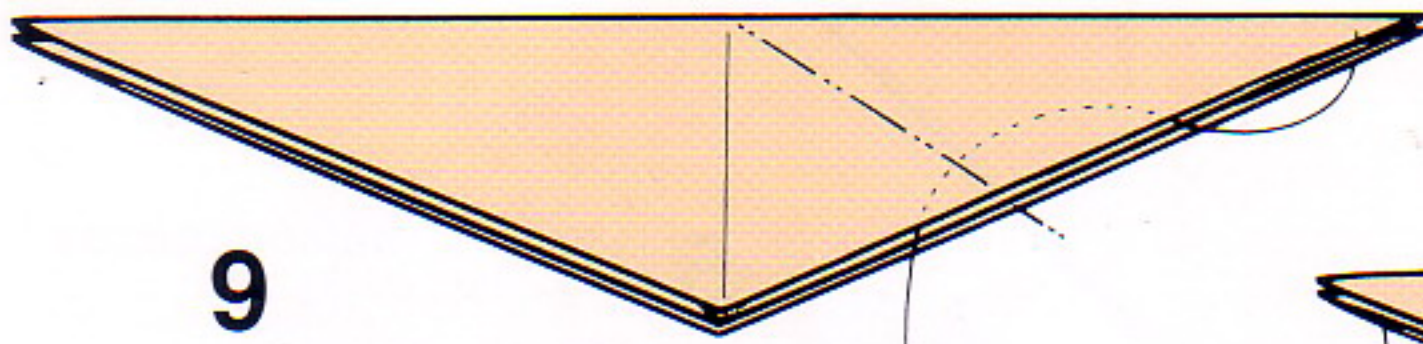
7

Repeat the same folds on the other side.



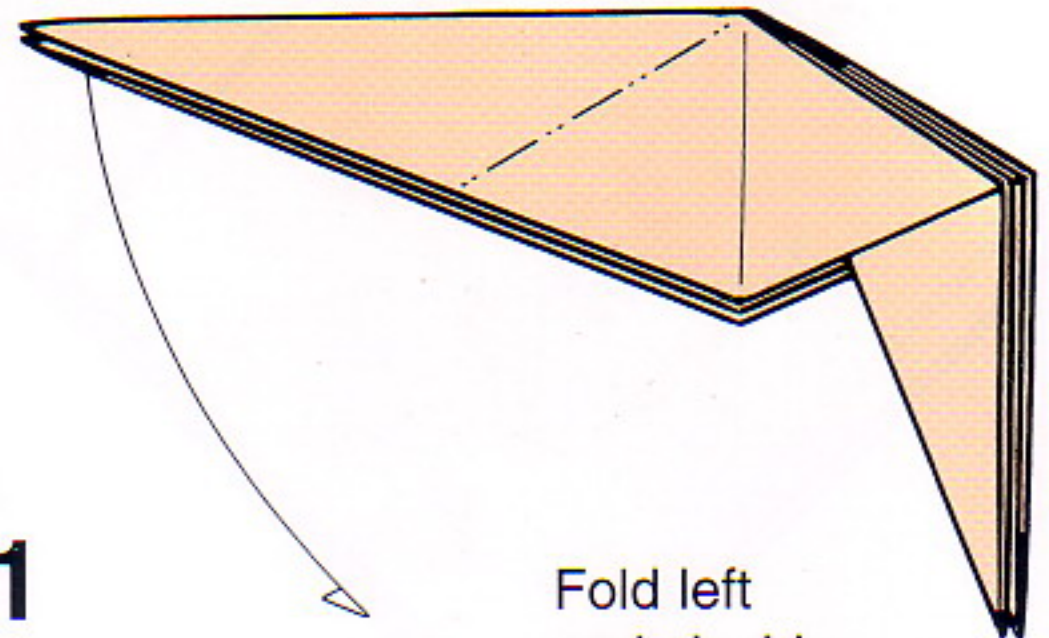
8





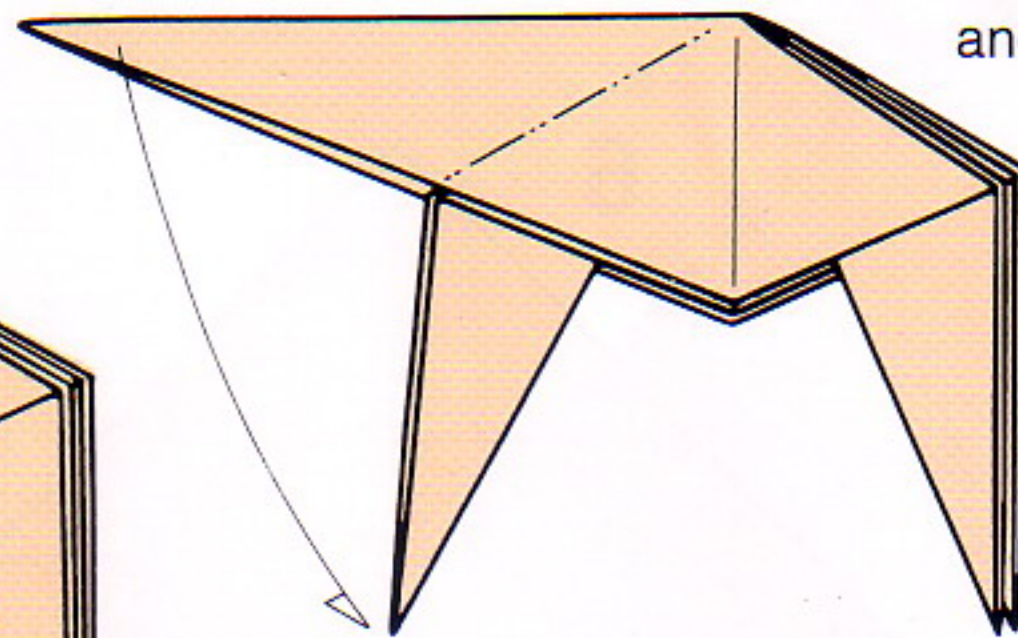
**9**

Inside Reverse Fold.

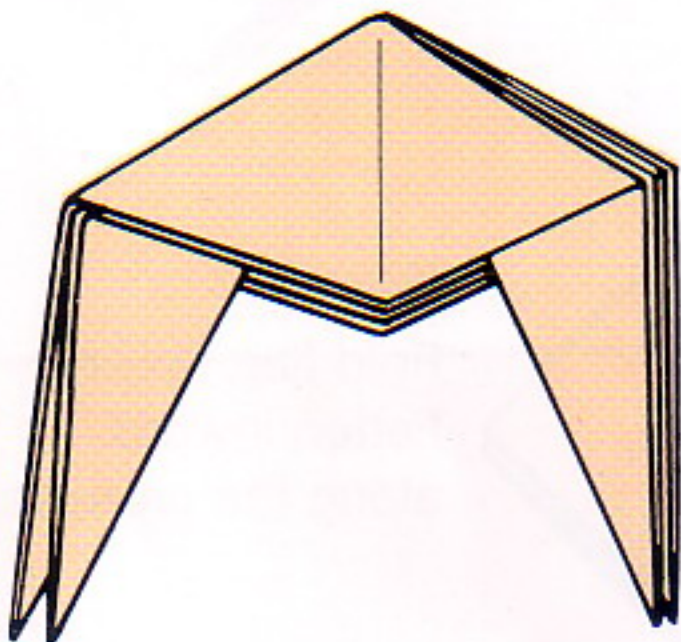


**10**

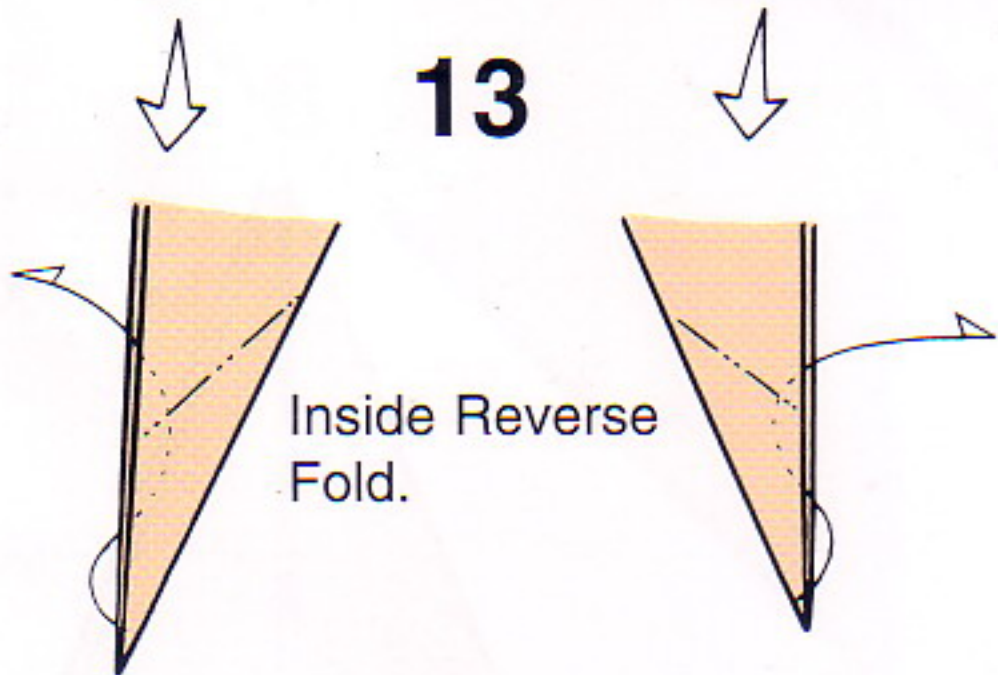
Fold left ends inside and down.



**11**

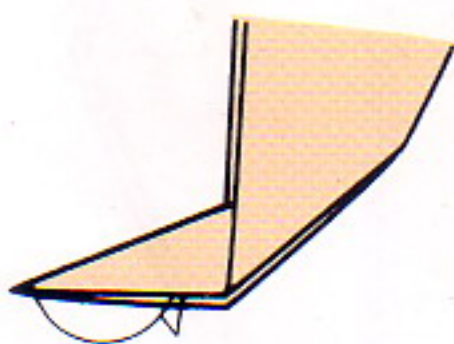


**12**



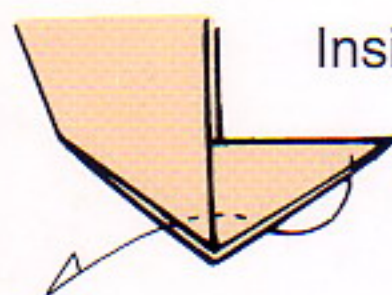
**13**

Inside Reverse Fold.



**14**

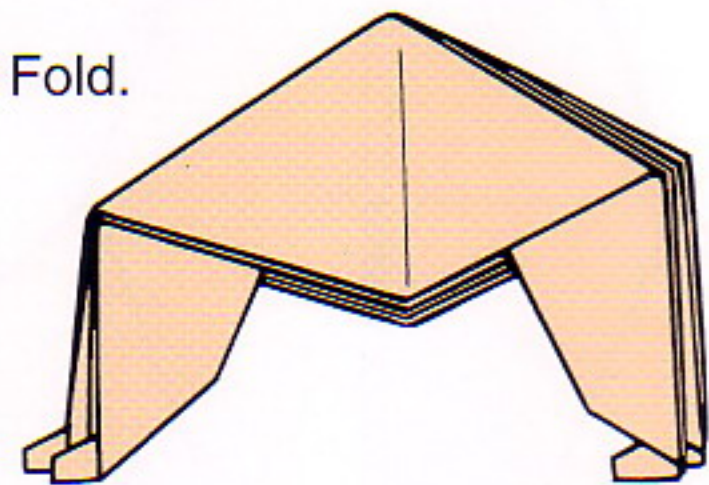
Inside Reverse Fold.



**15**

Push in.

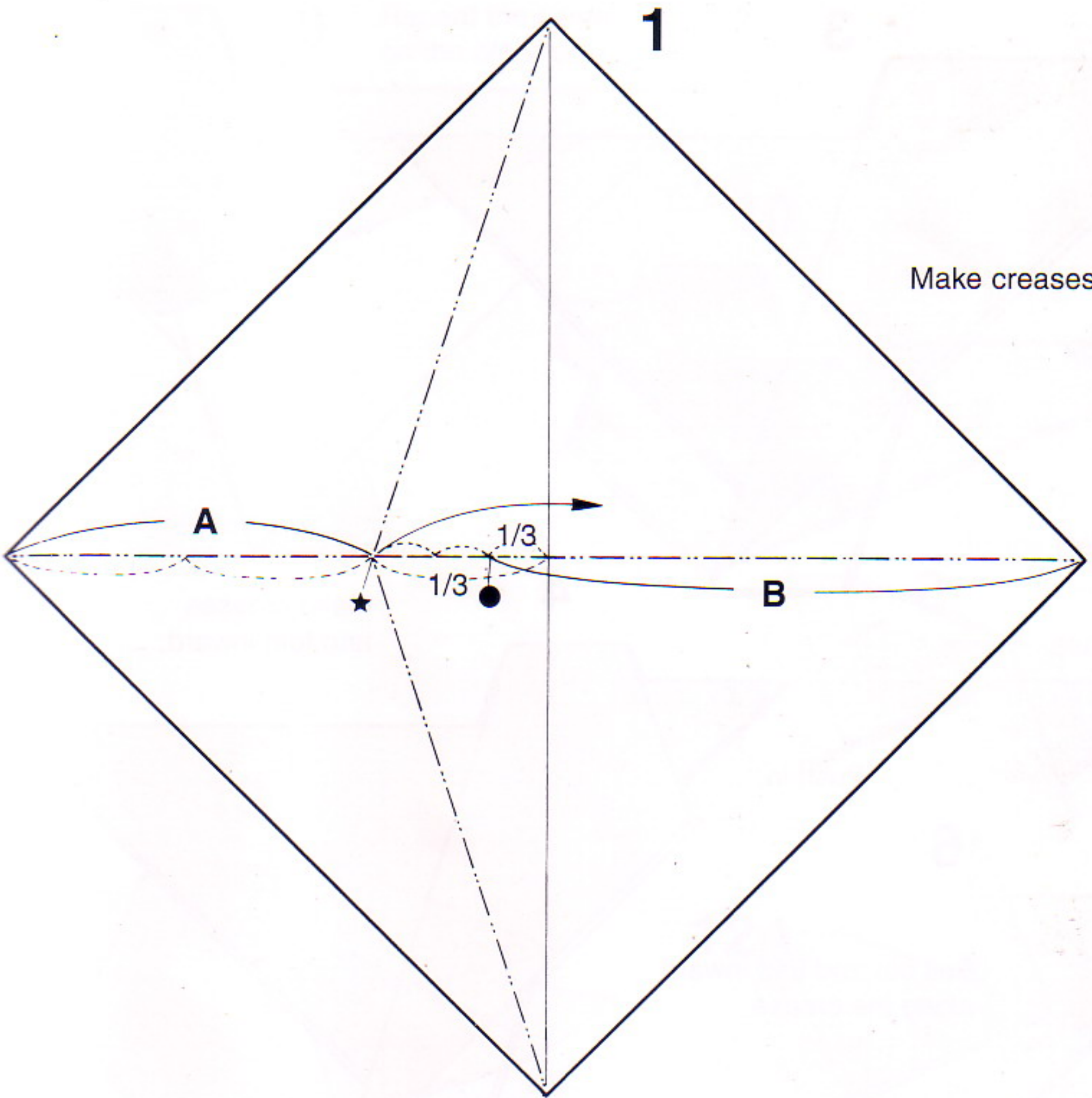
Push in.



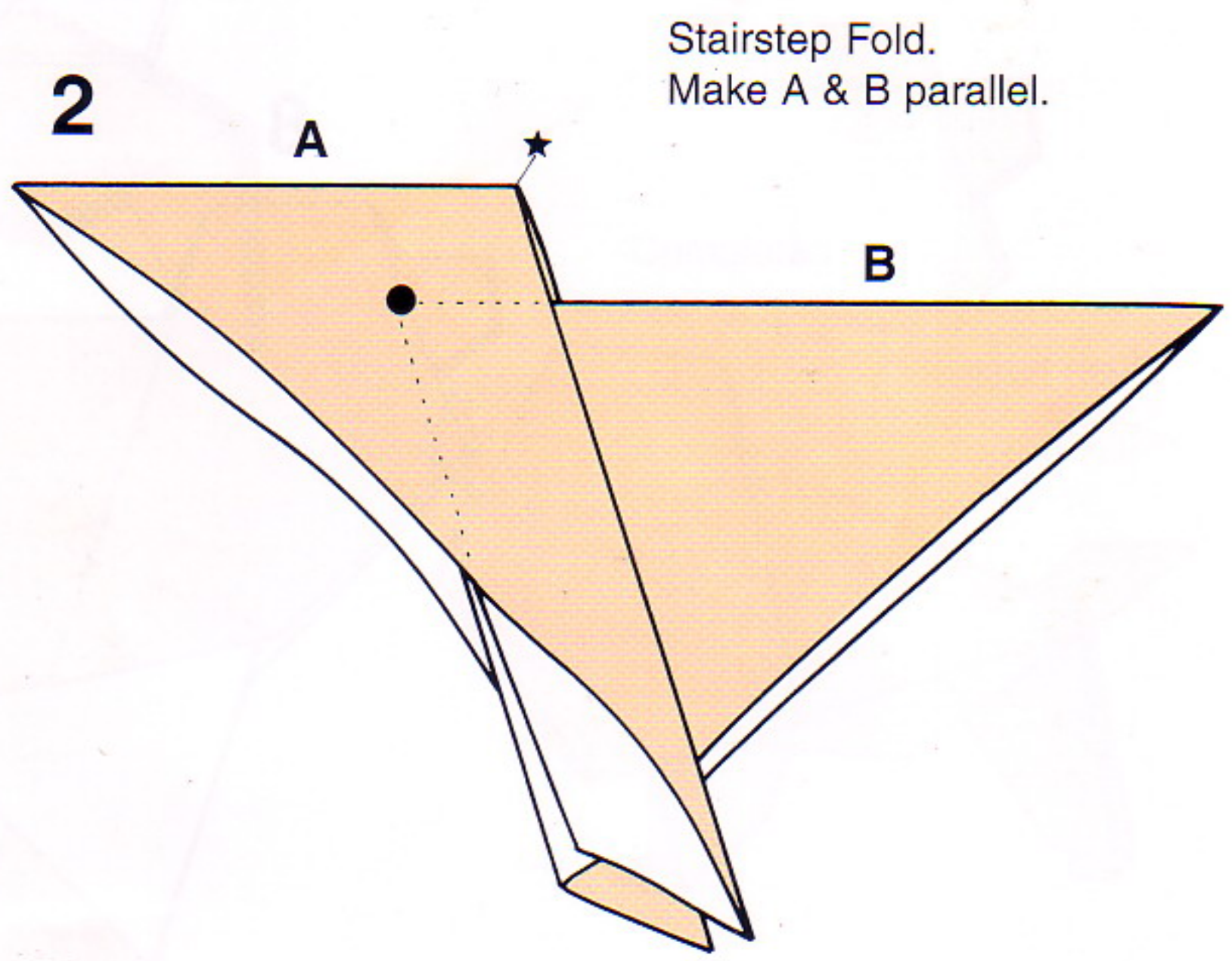
**16**

Legs completed.



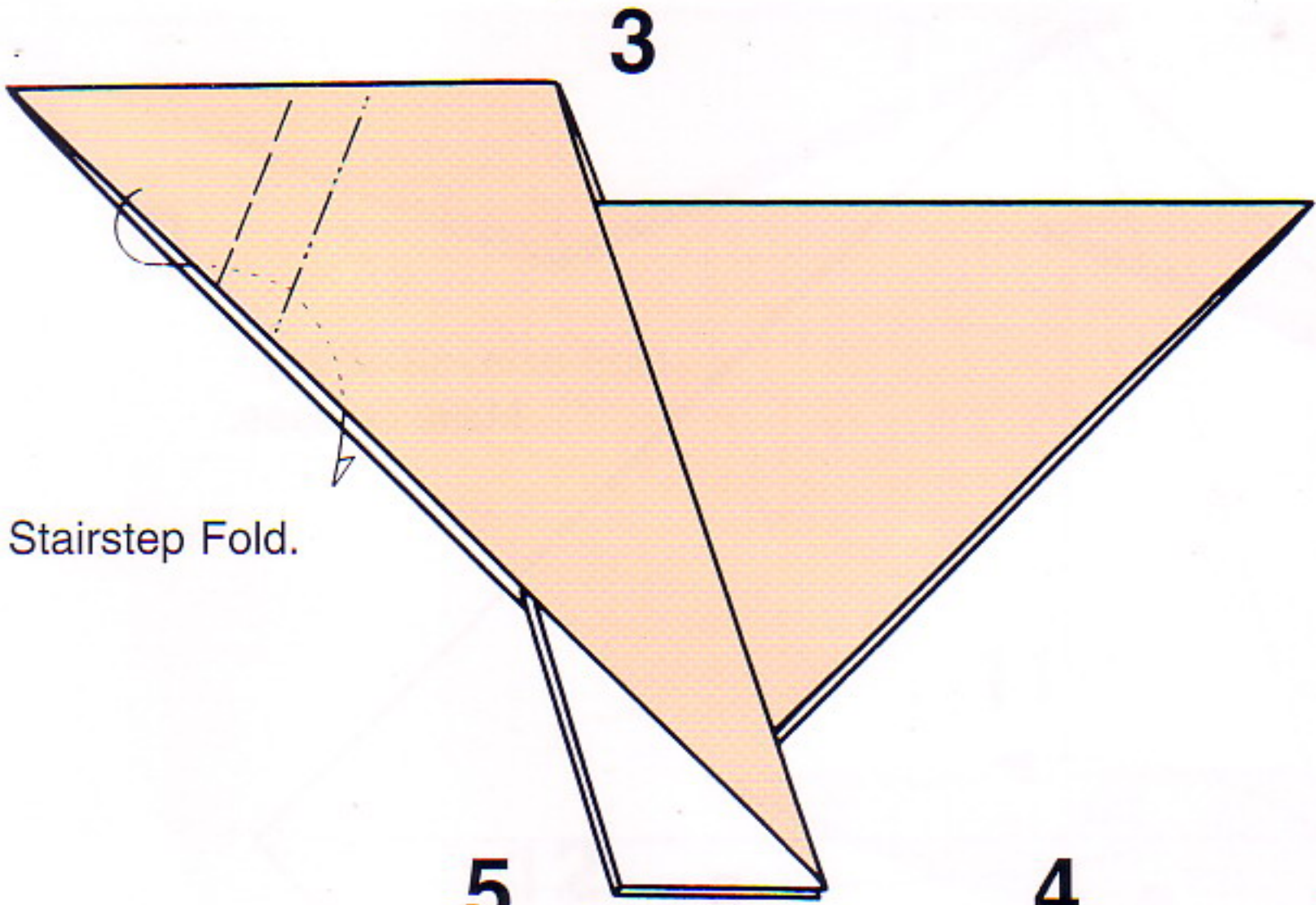


Make creases.

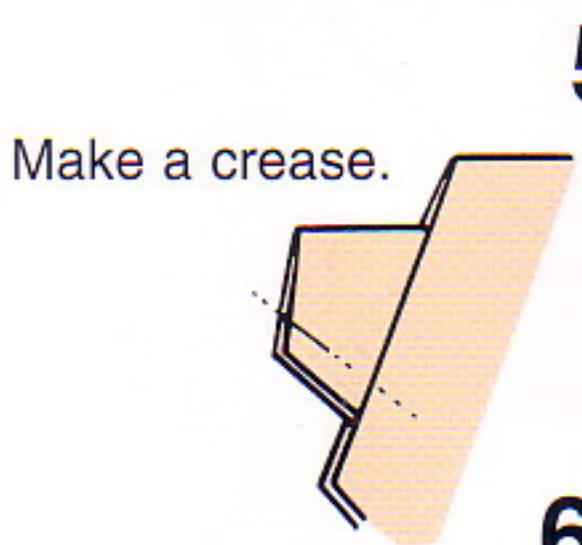


Stairstep Fold.  
Make A & B parallel.

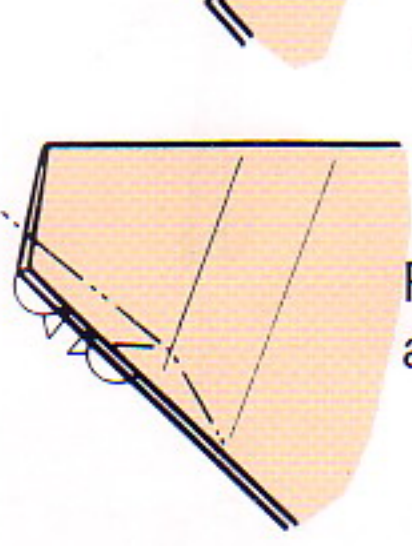




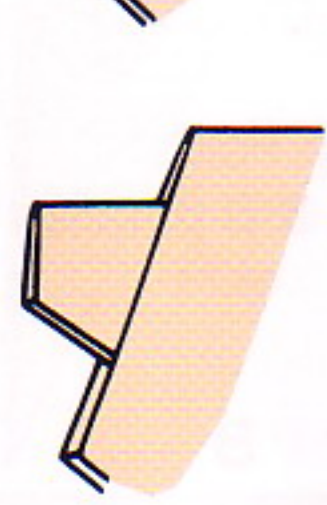
Stairstep Fold.



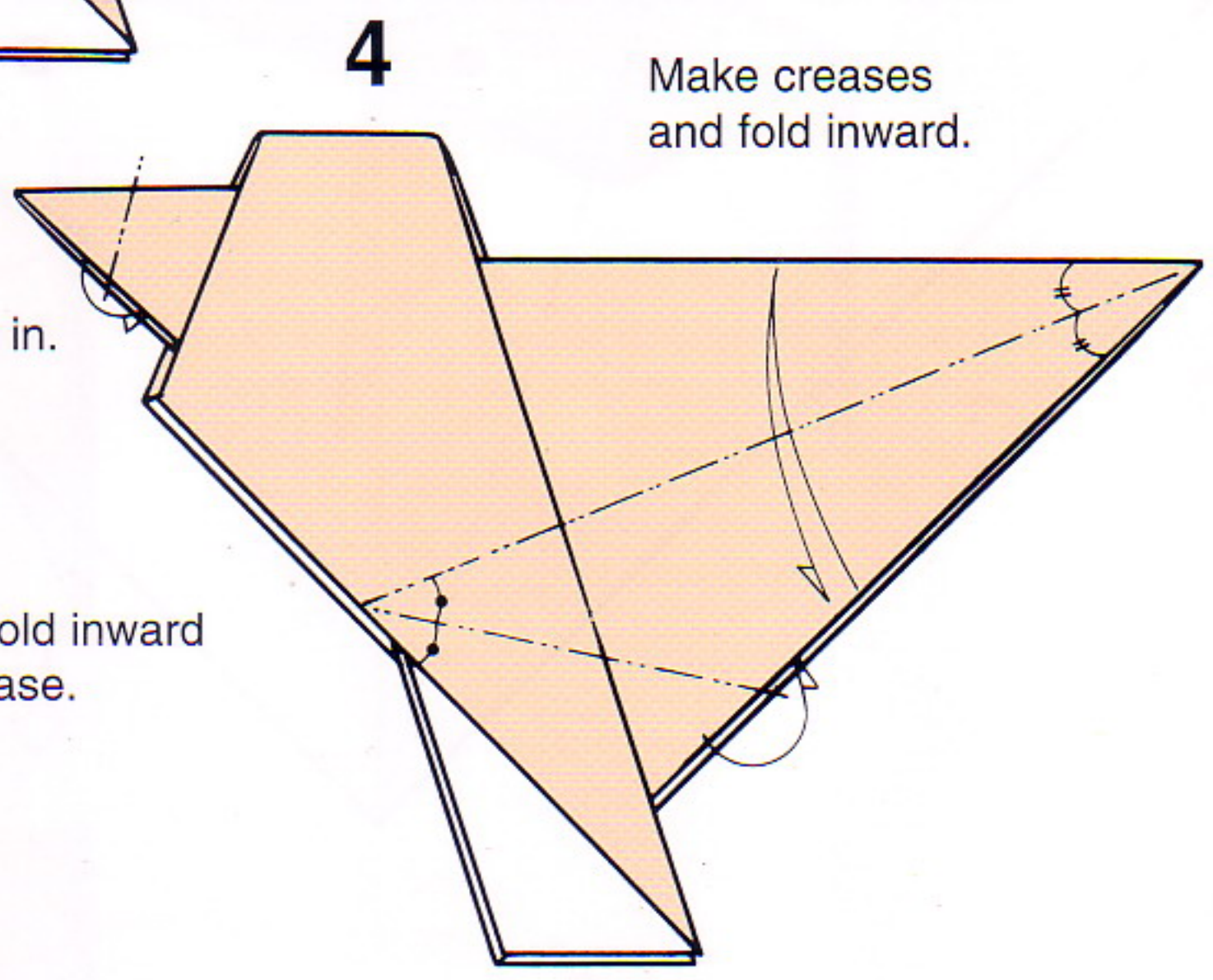
Make a crease.



Pull out and fold inward along the crease.

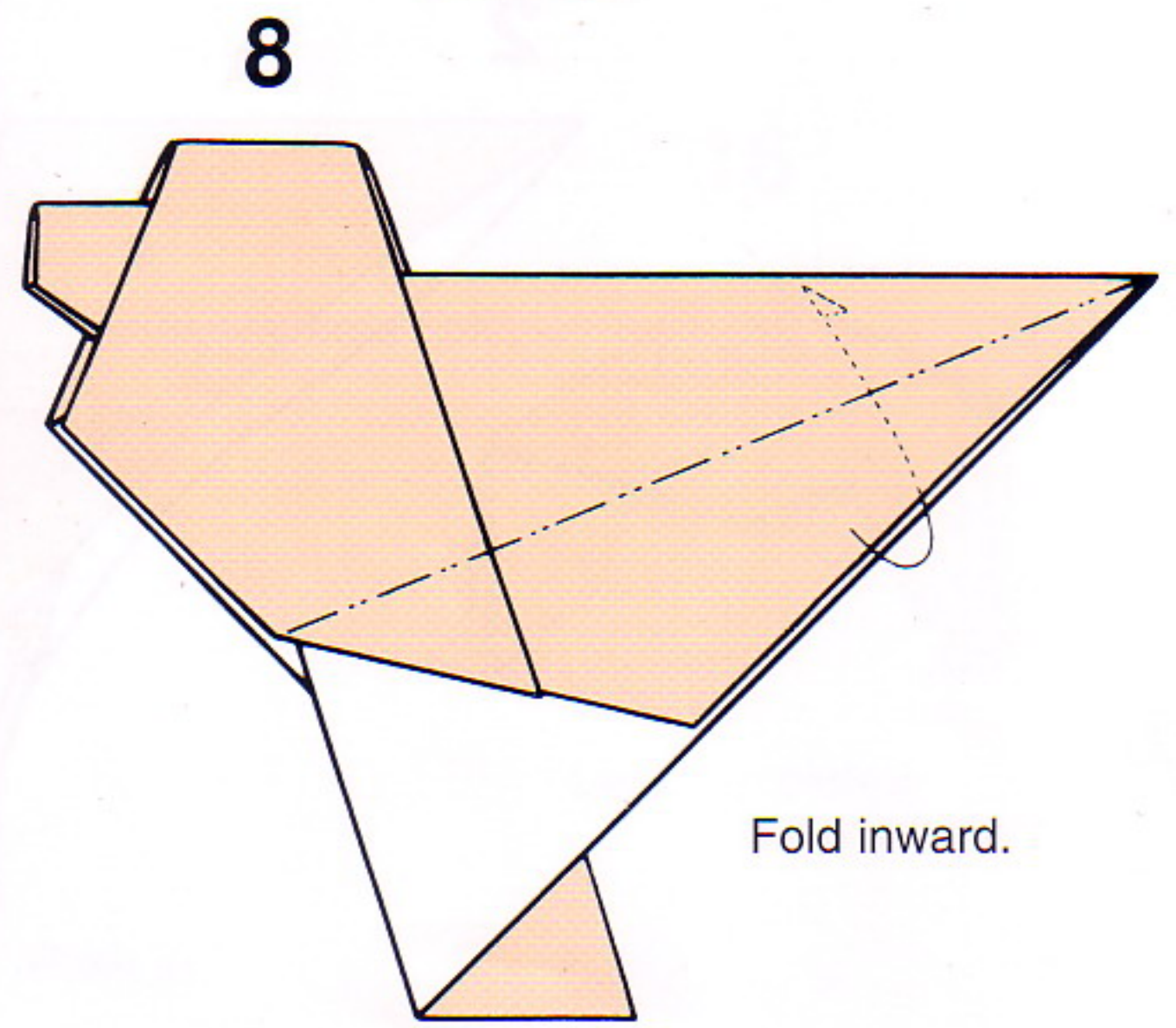


Push back.



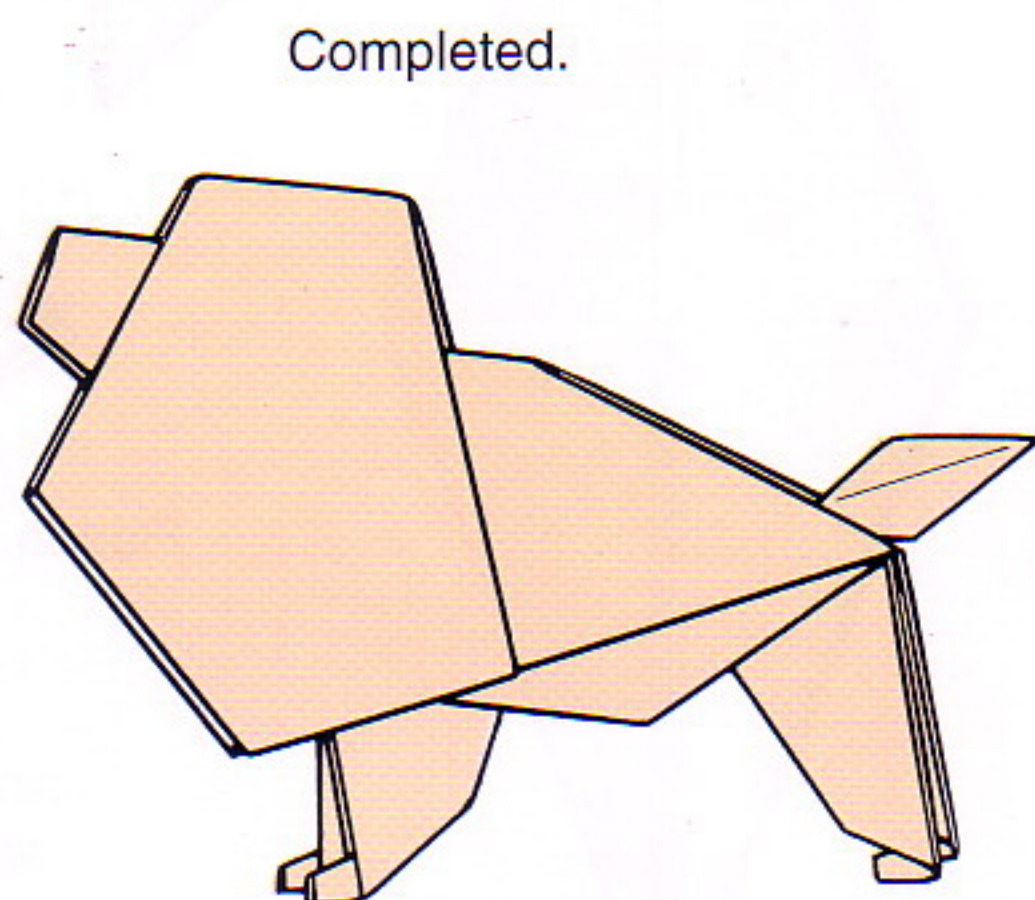
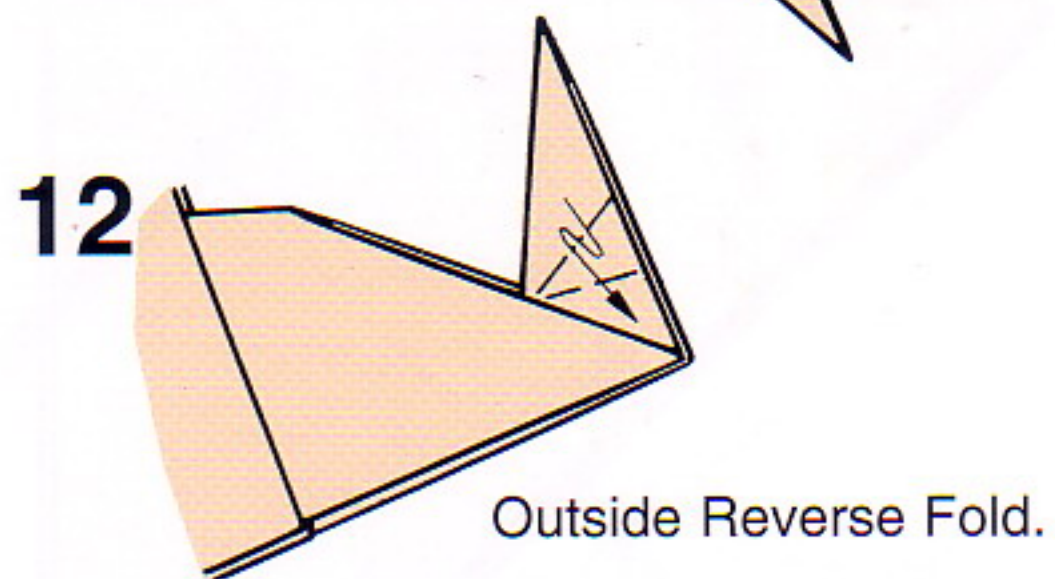
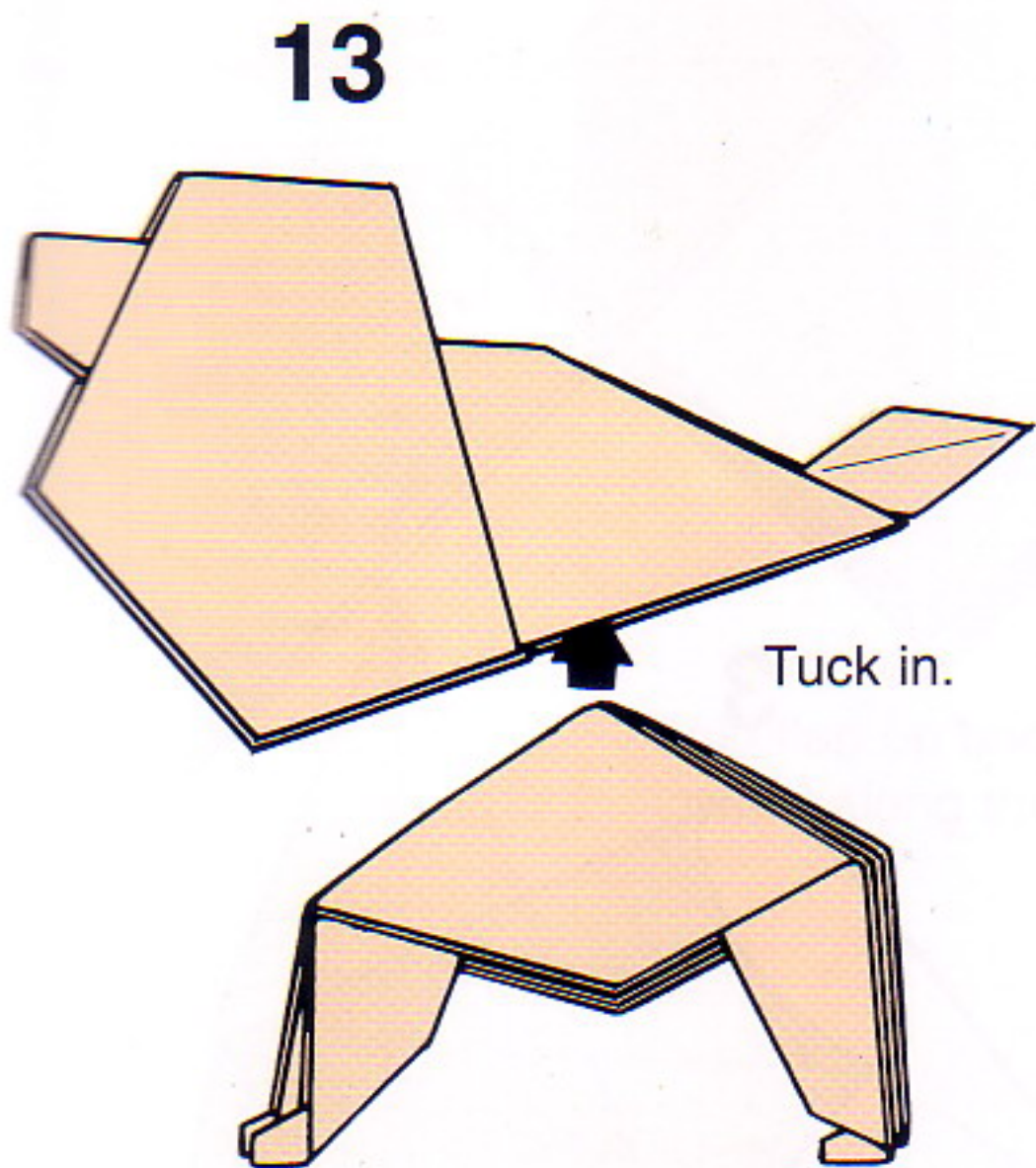
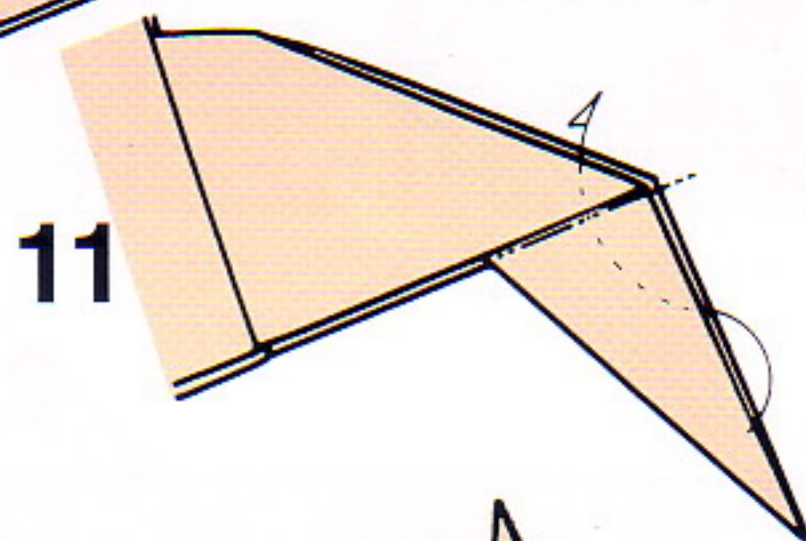
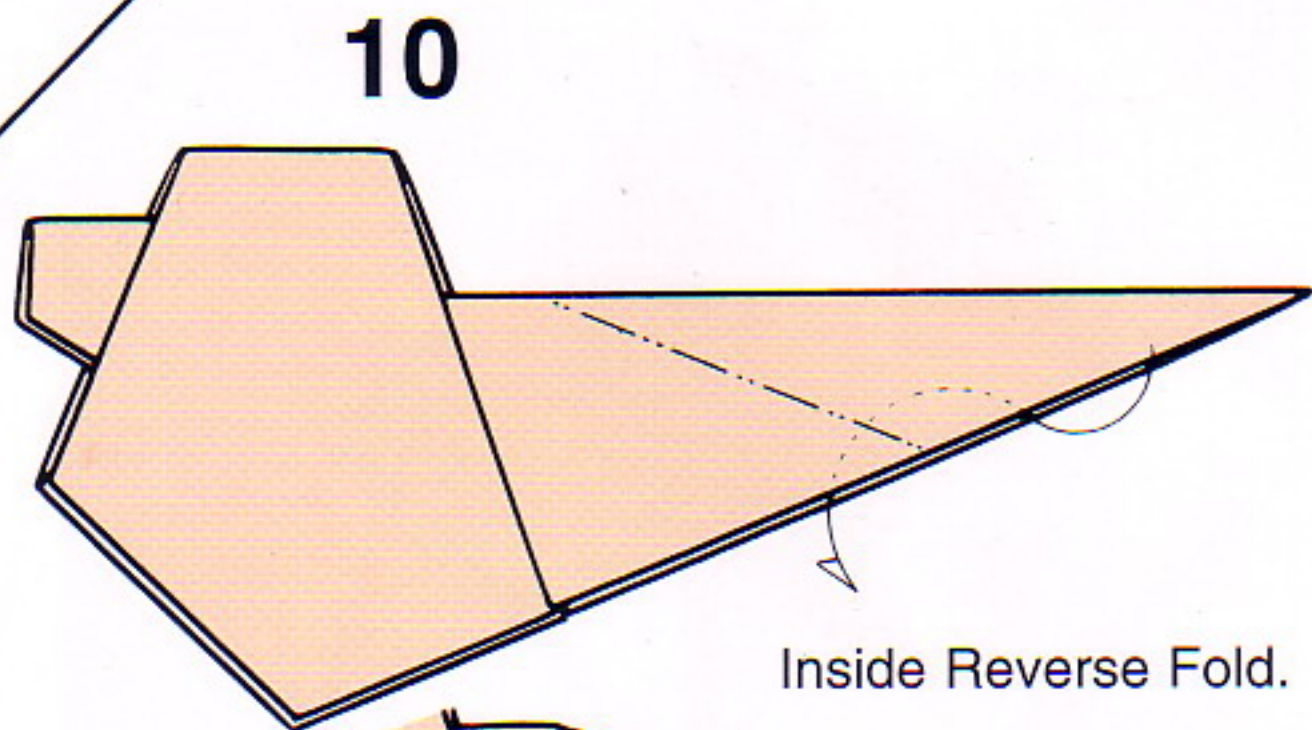
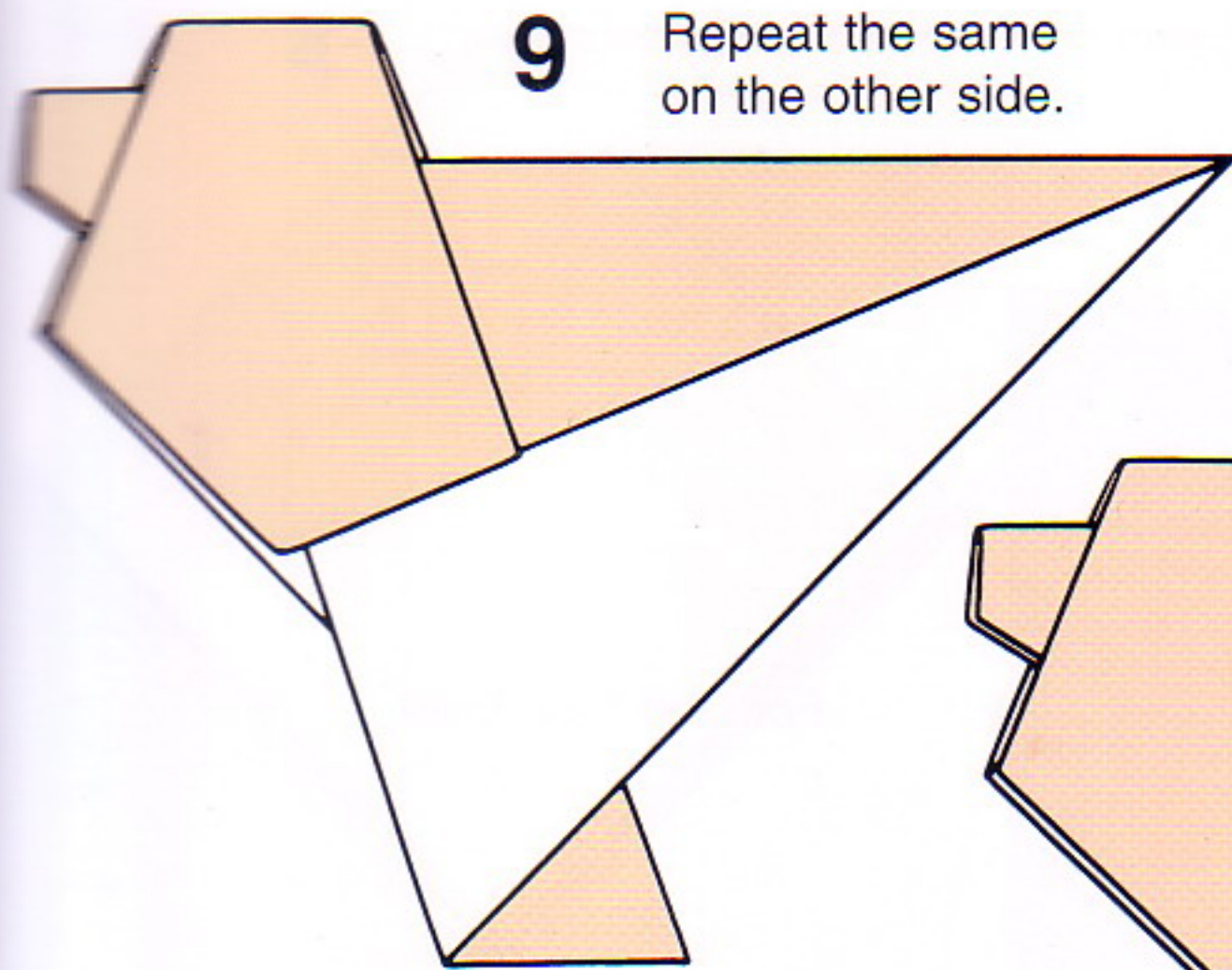
Make creases and fold inward.

Push in.



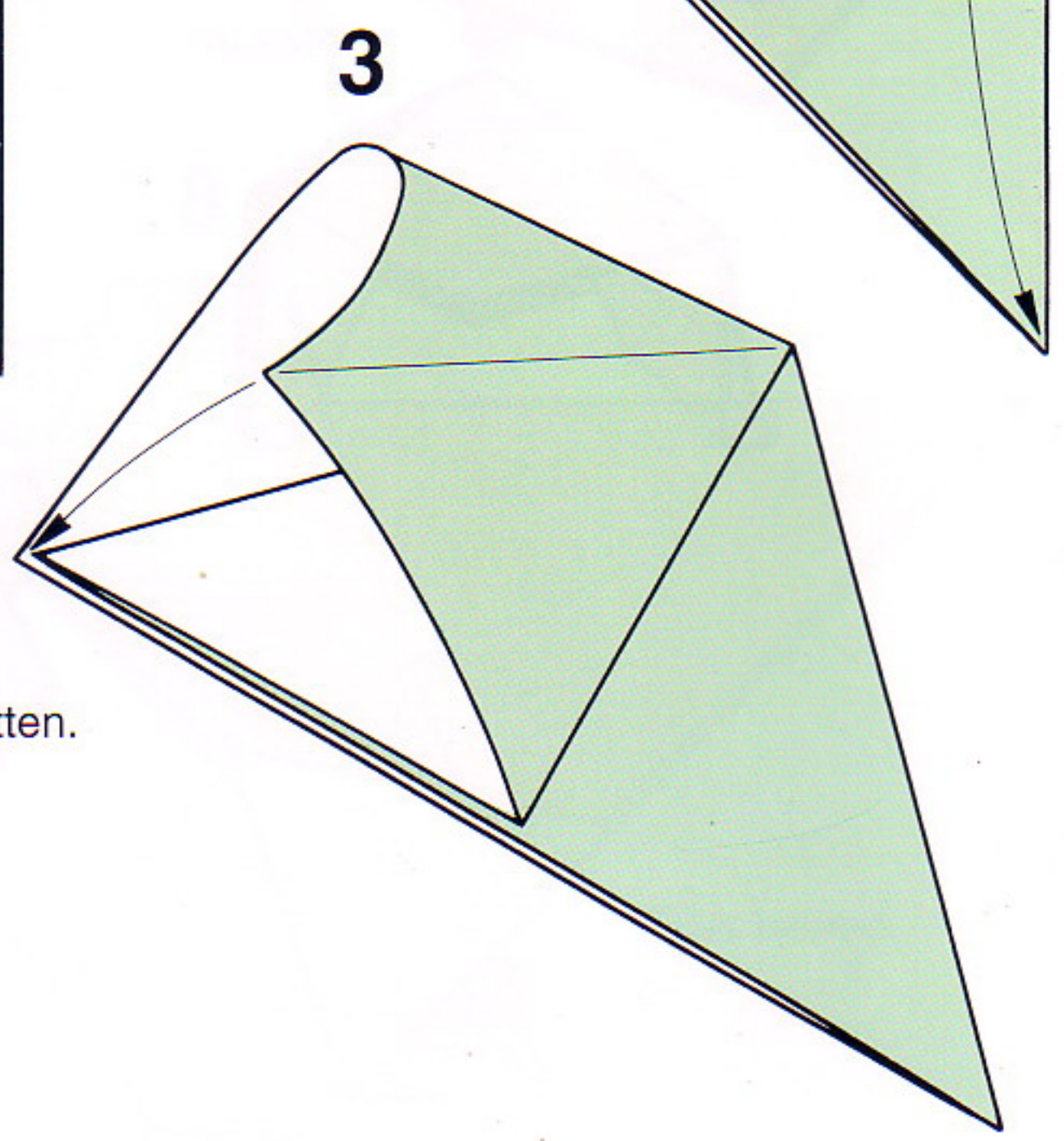
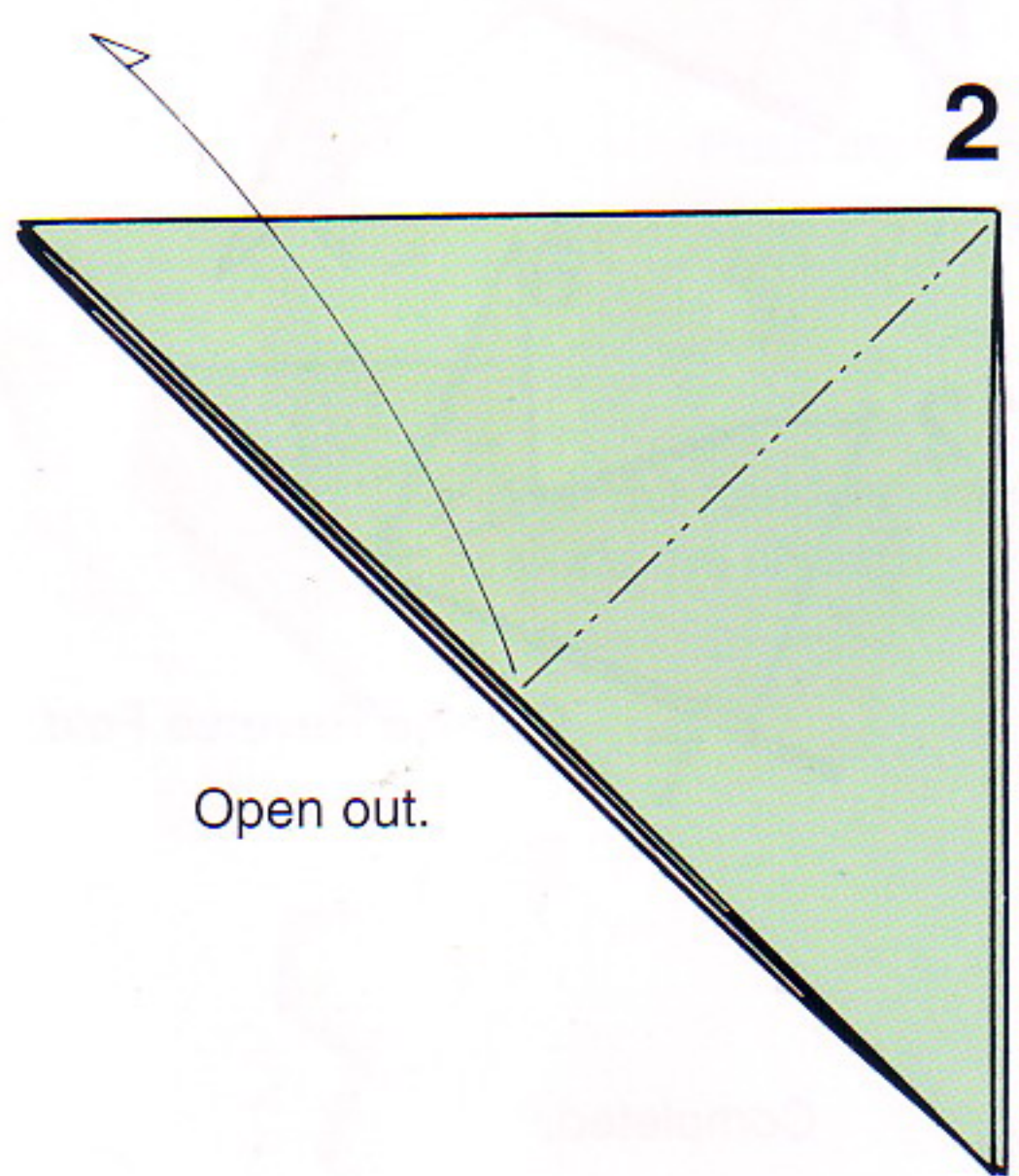
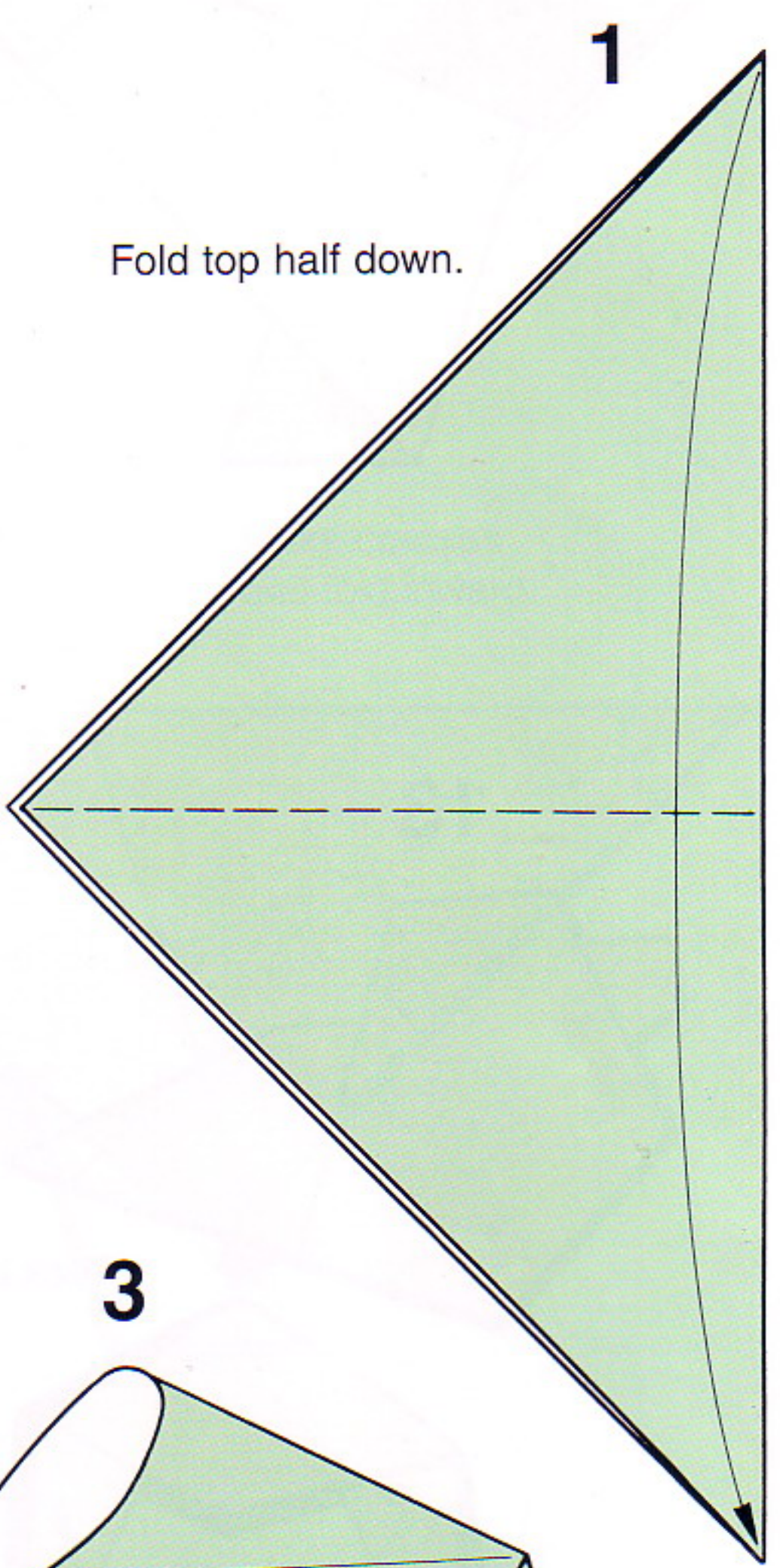
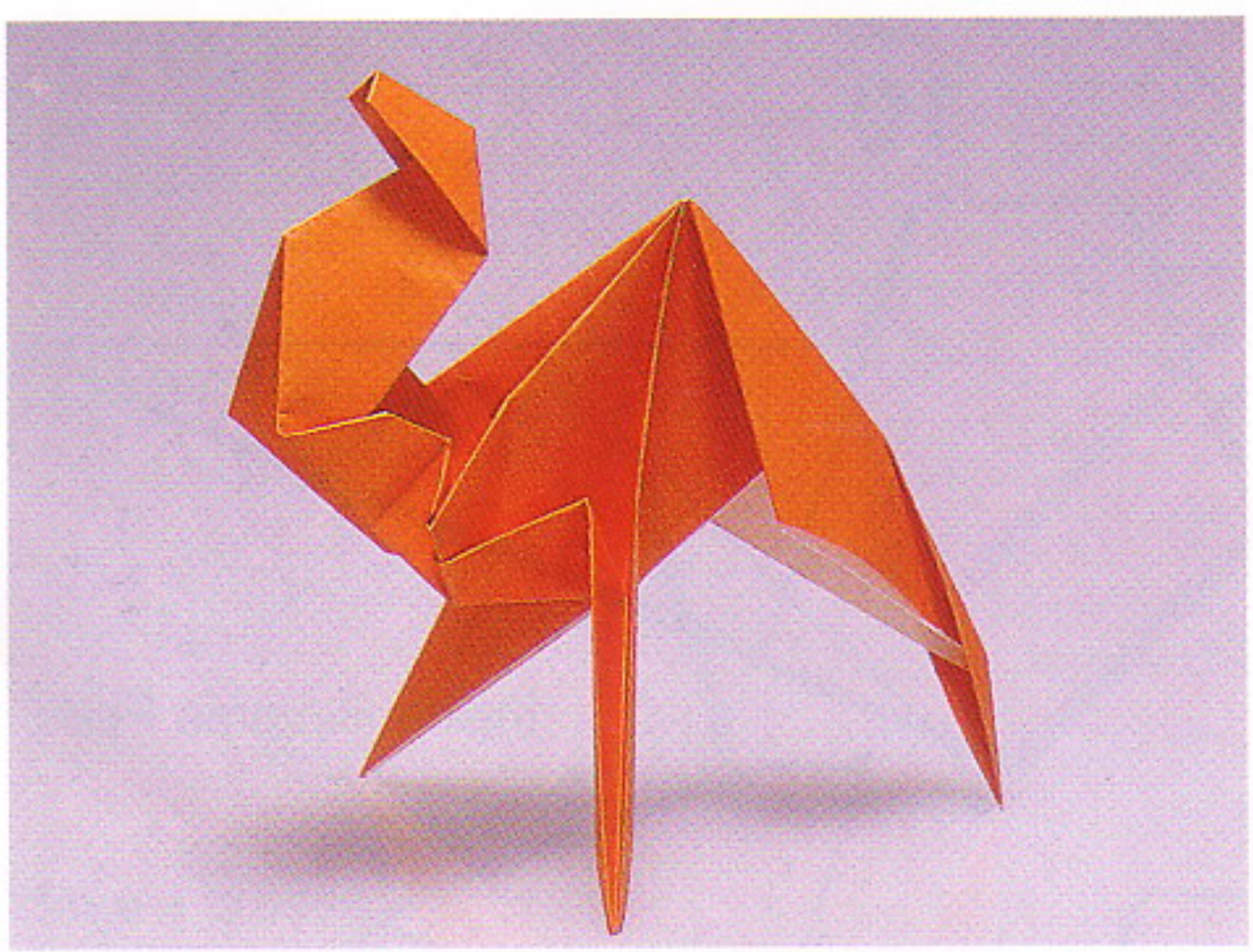
Fold inward.



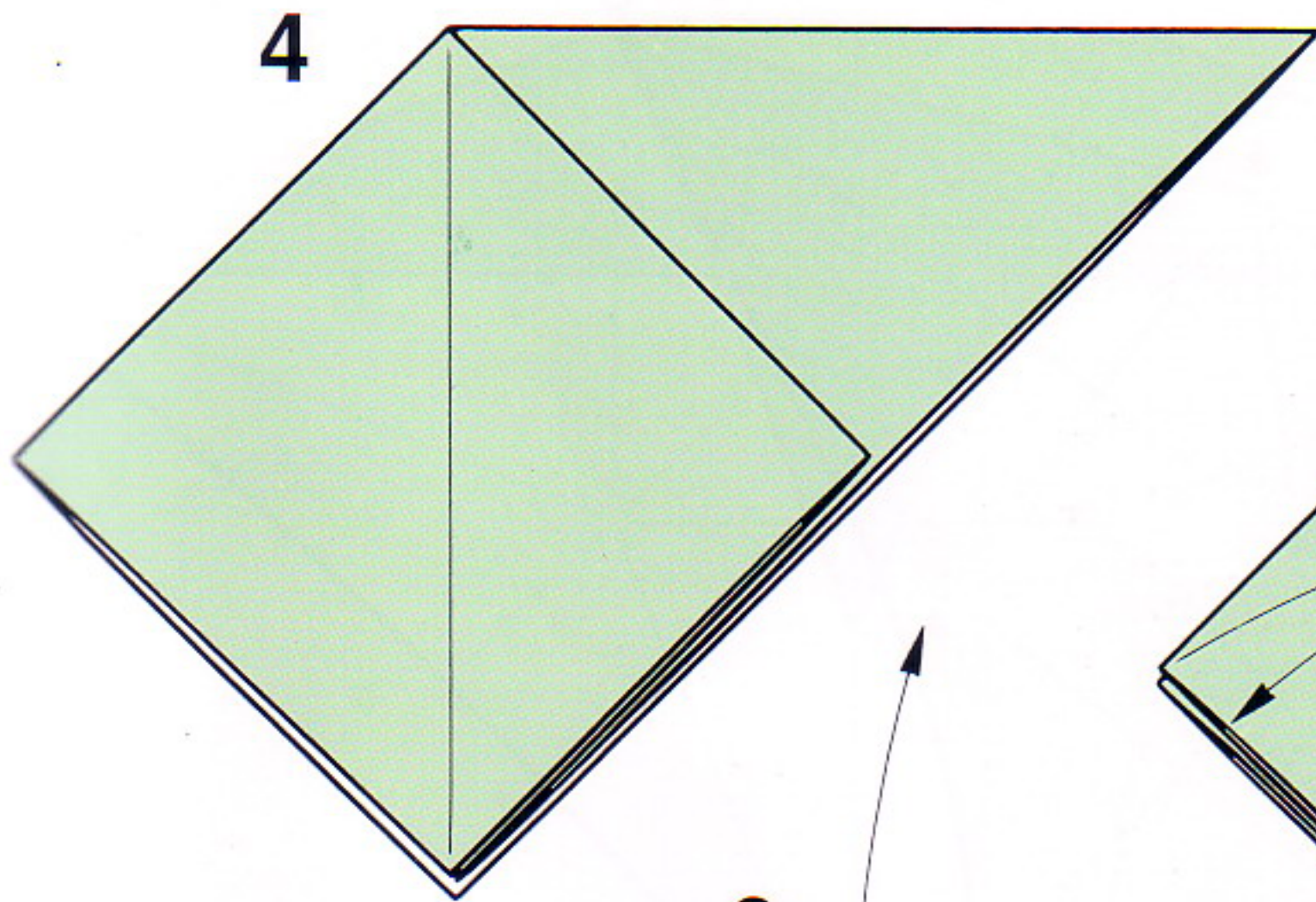




# CAMEL

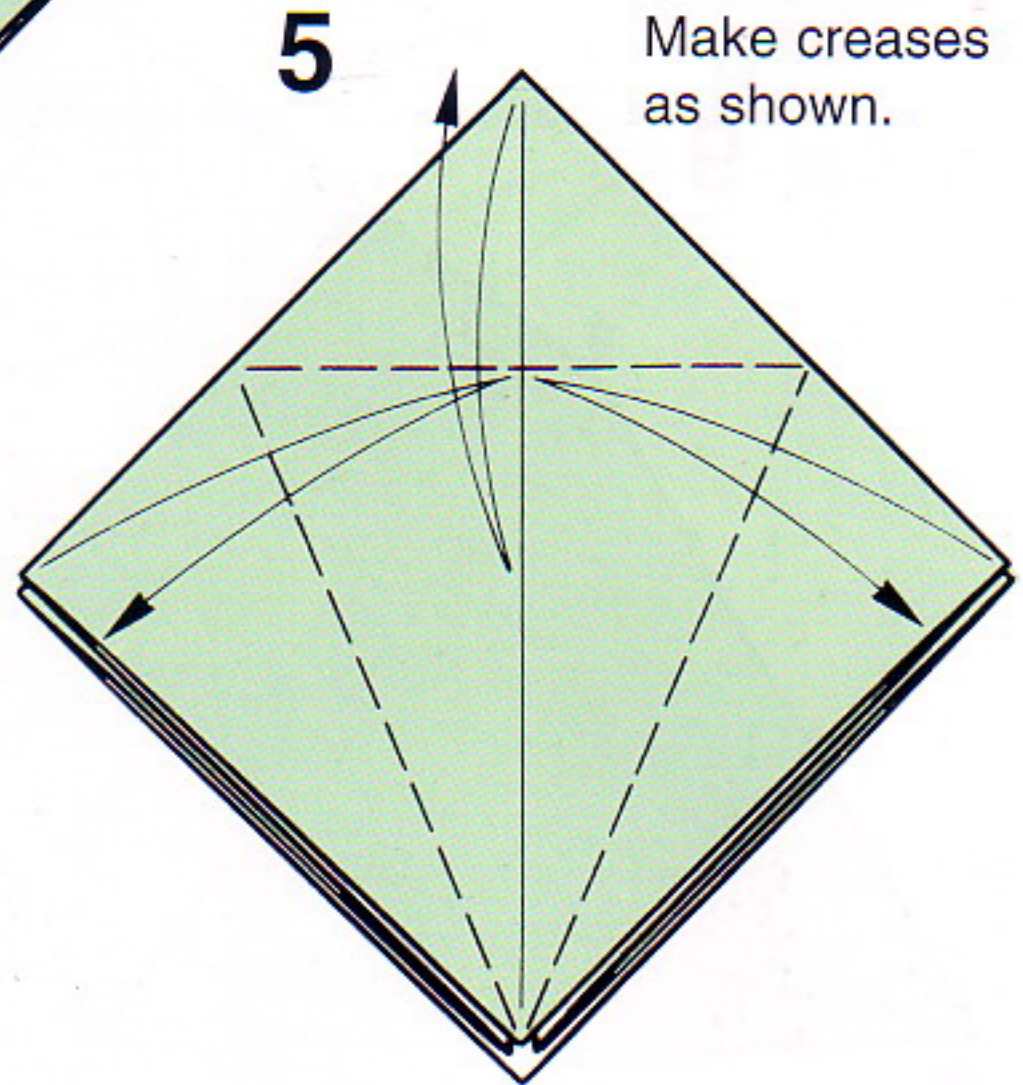






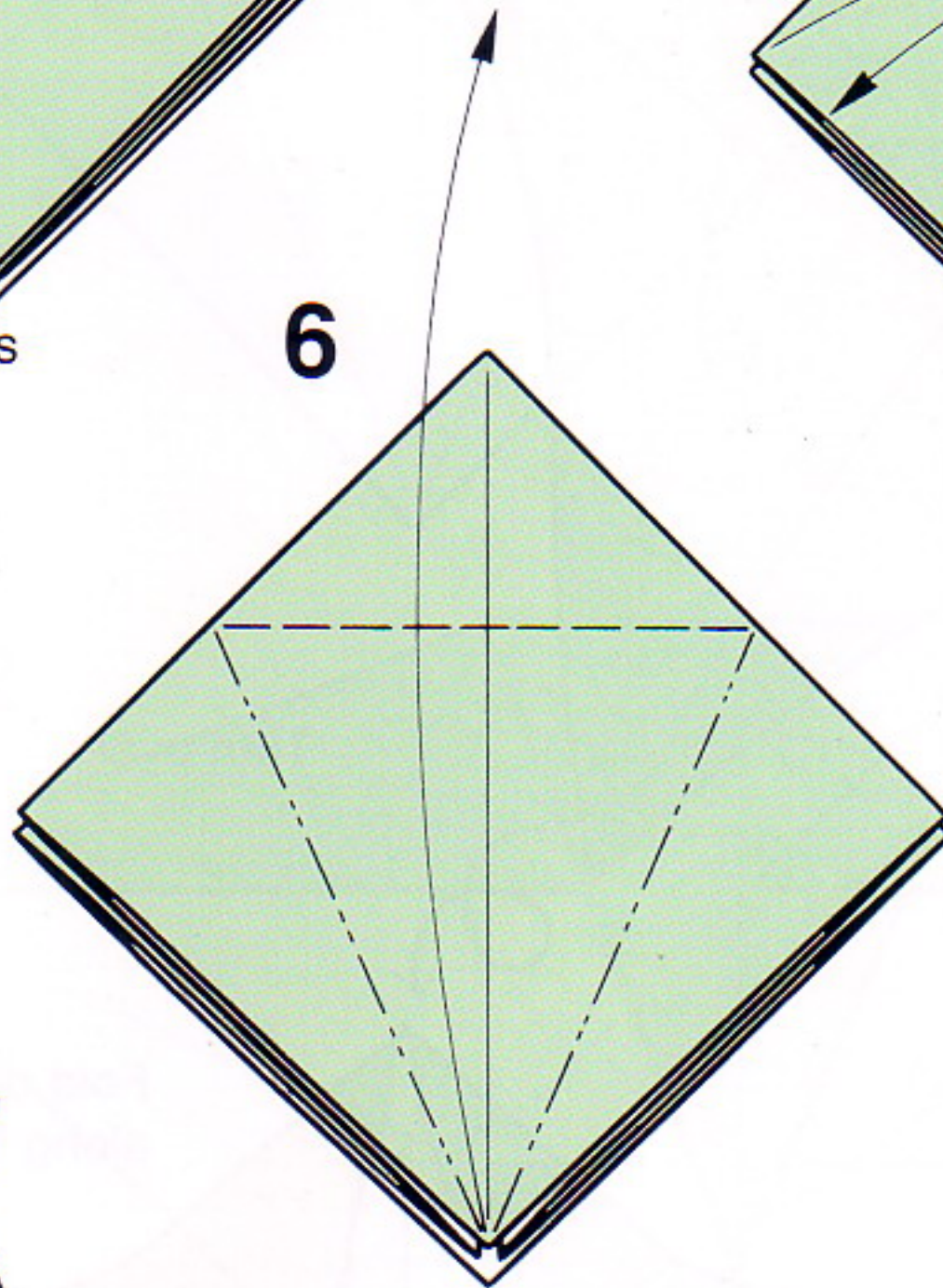
4

Repeat the same folds on the other side.



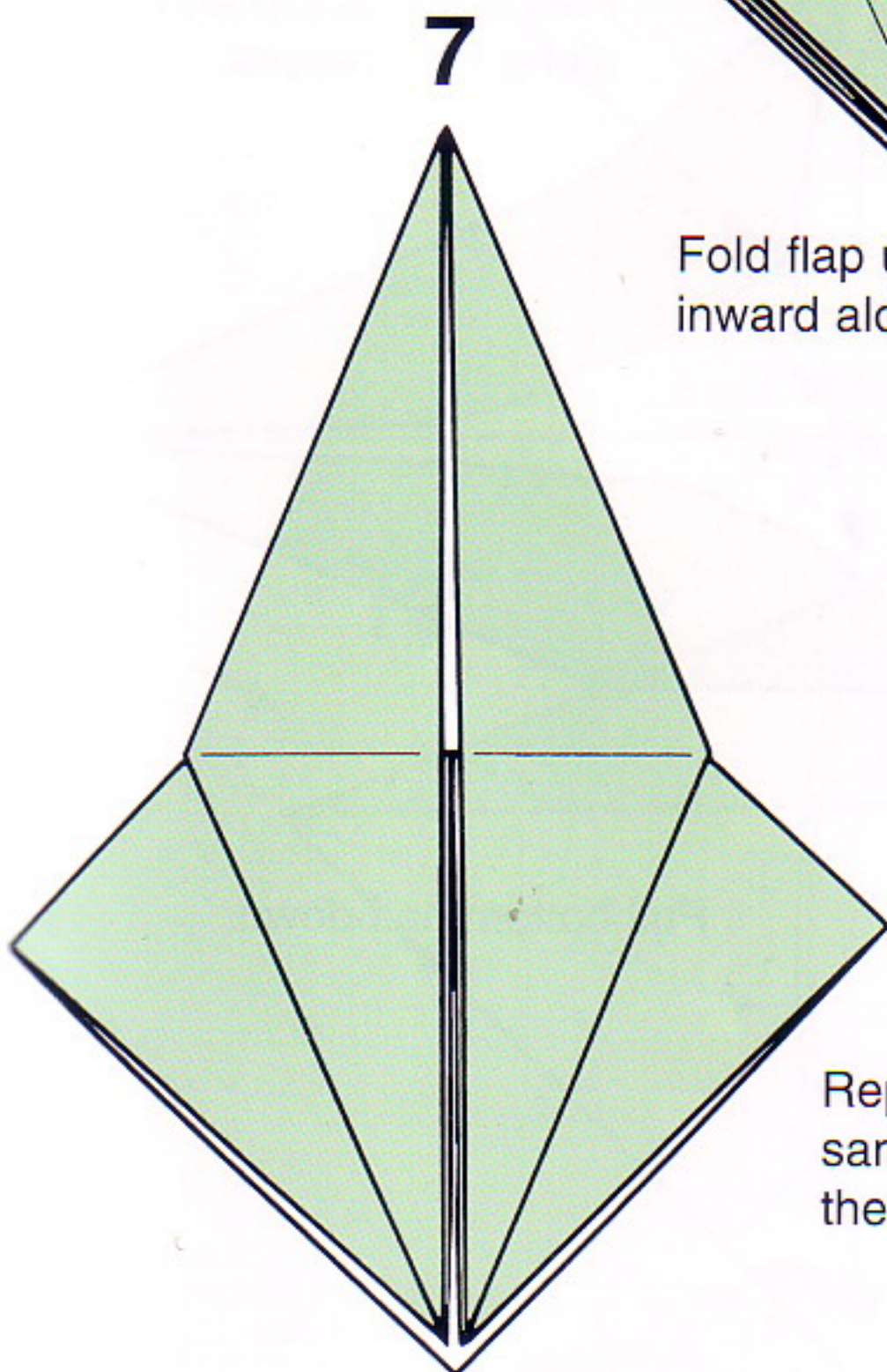
5

Make creases as shown.



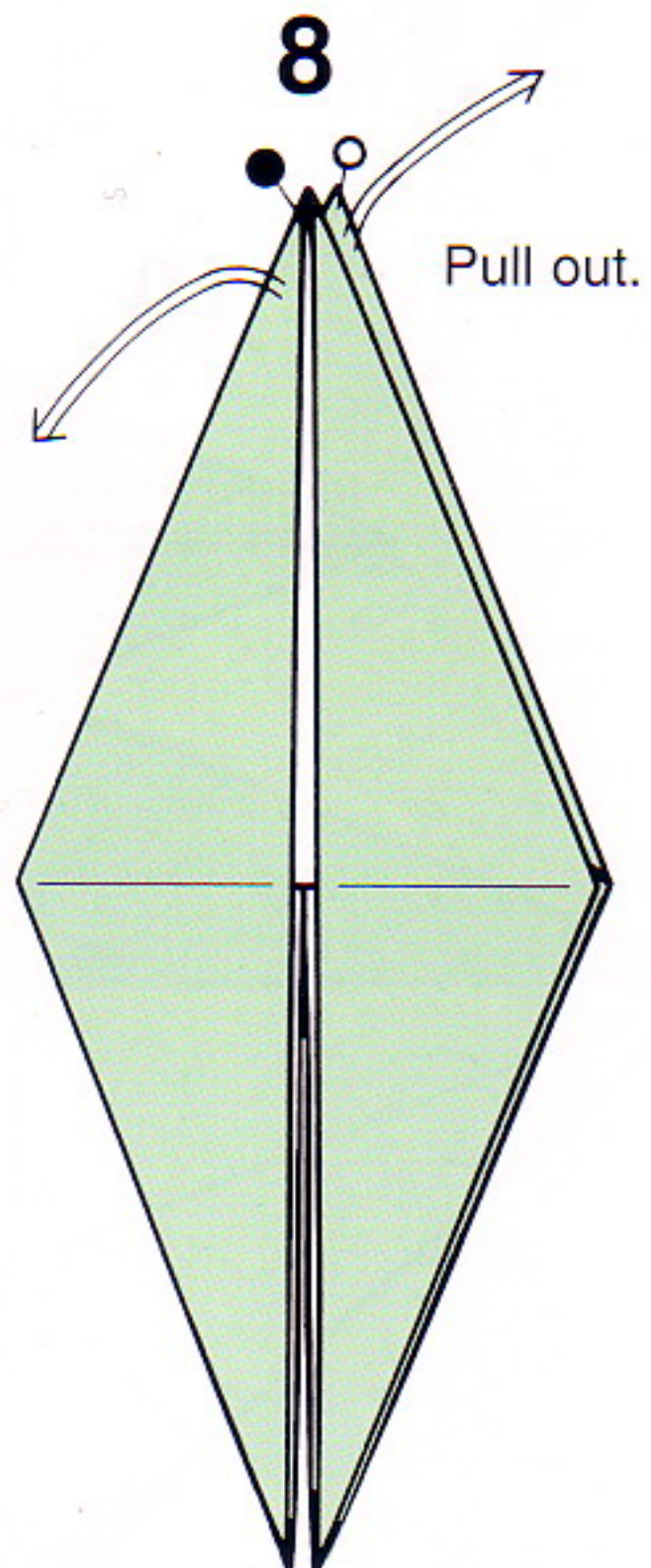
6

Fold flap up and flatten inward along the creases.



7

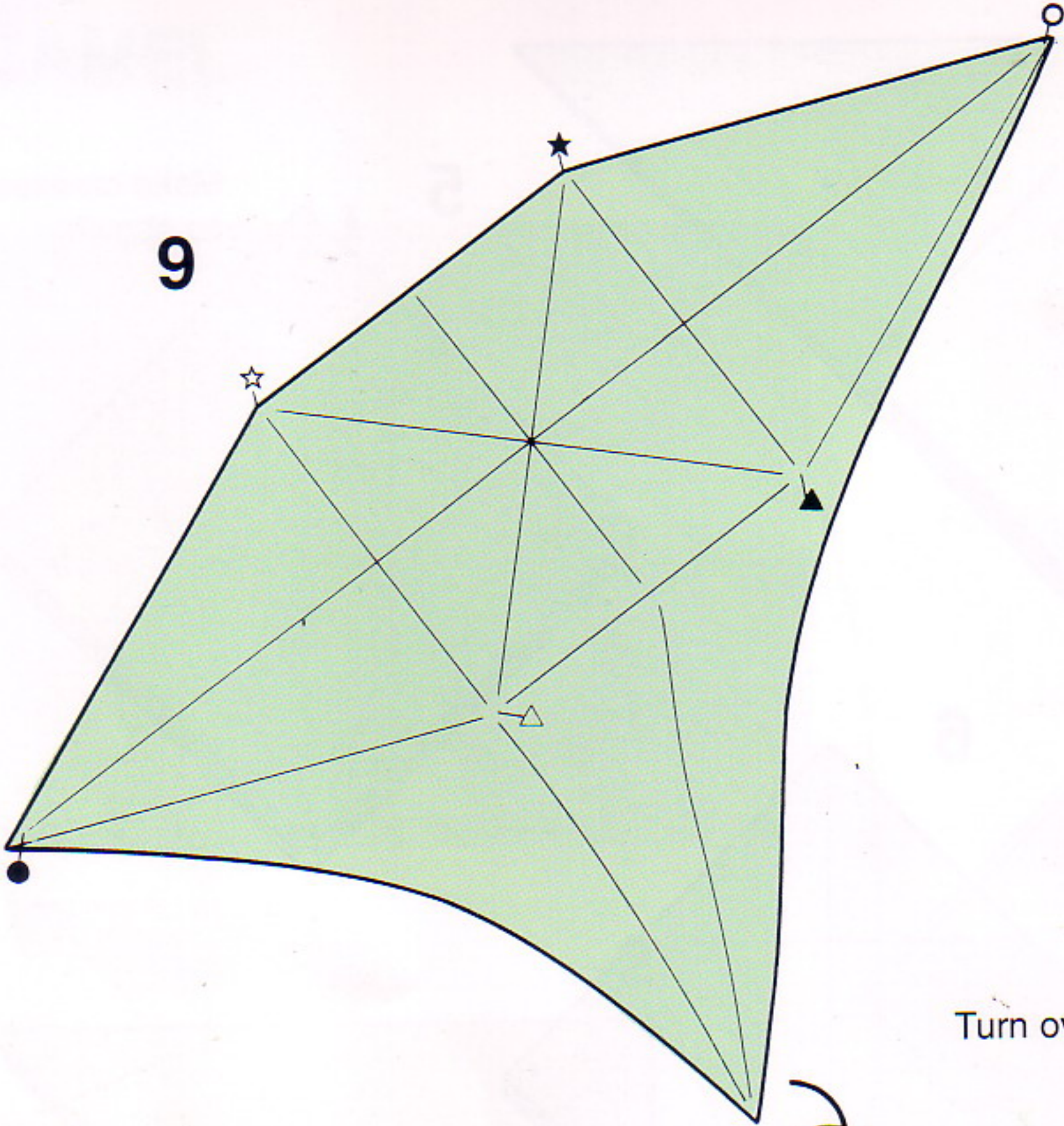
Repeat the same folds on the other side.



8

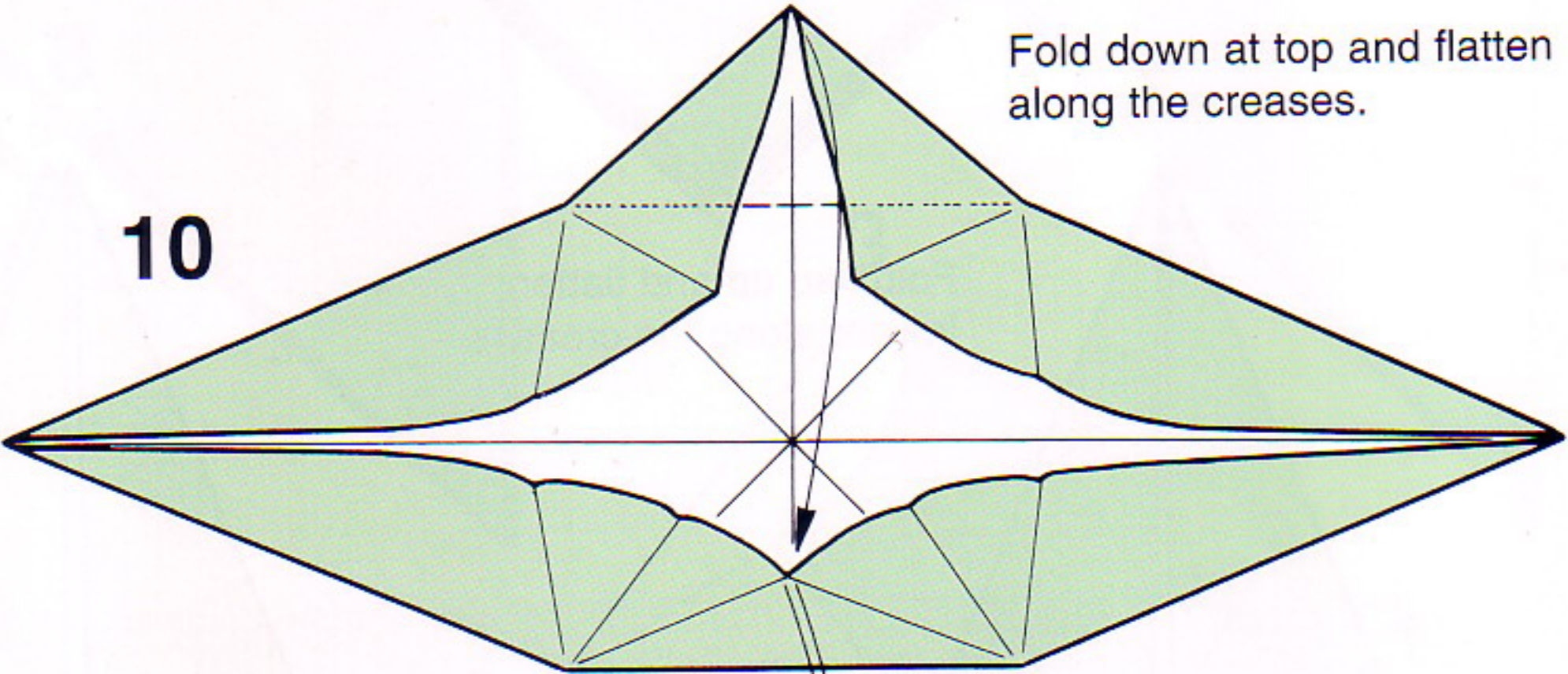
Pull out.





9

Turn over.



10

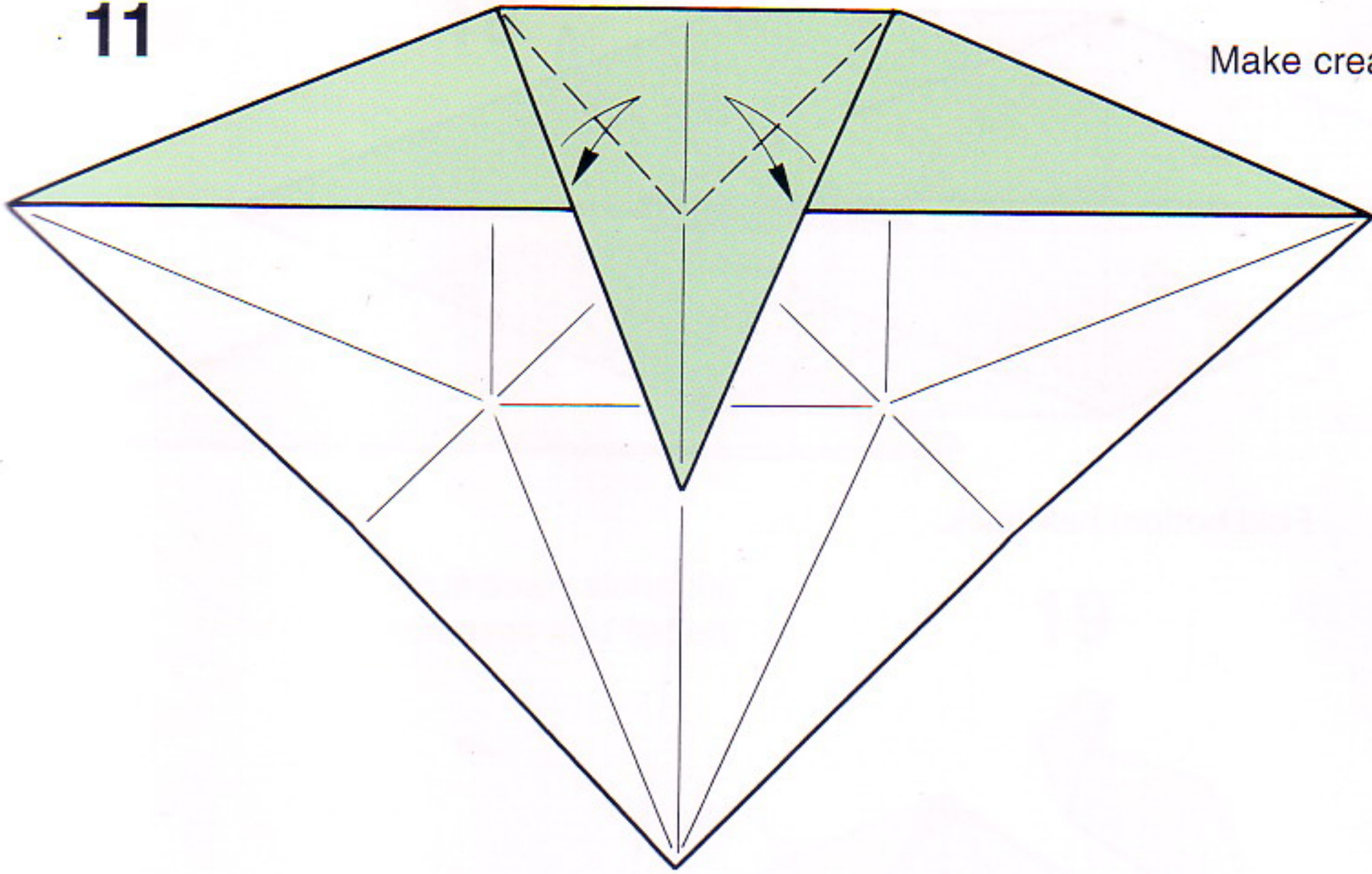
Fold down at top and flatten along the creases.

Pull bottom half down.



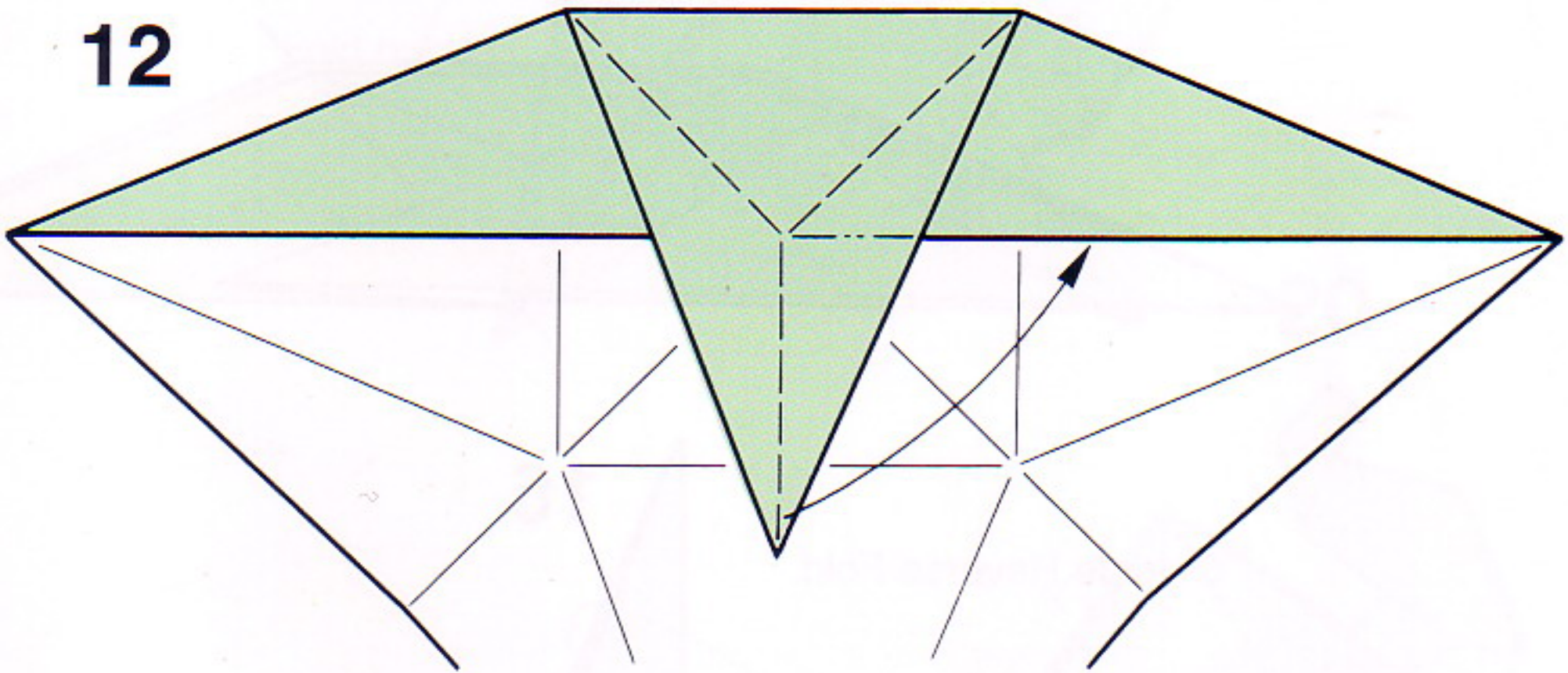


11



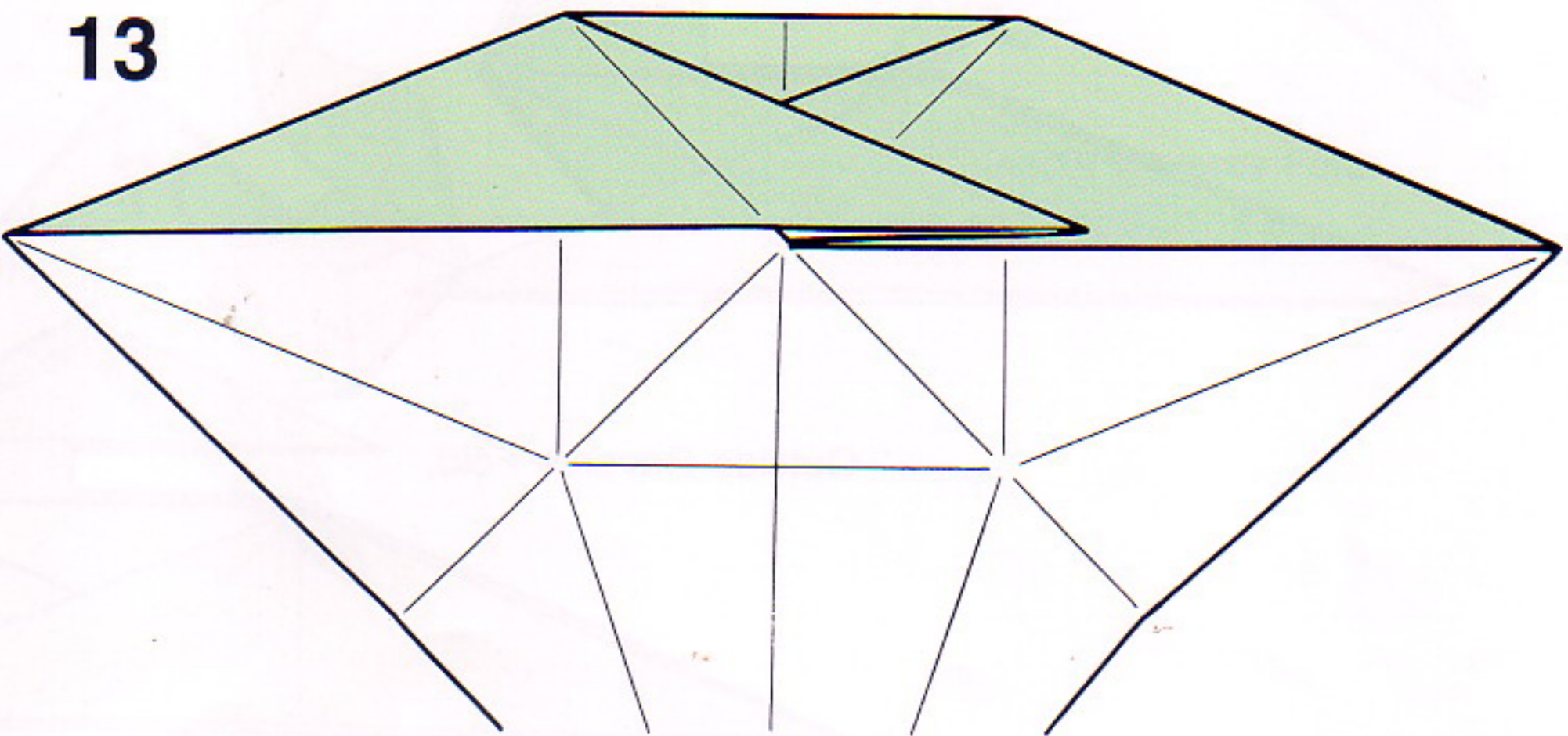
Make creases.

12



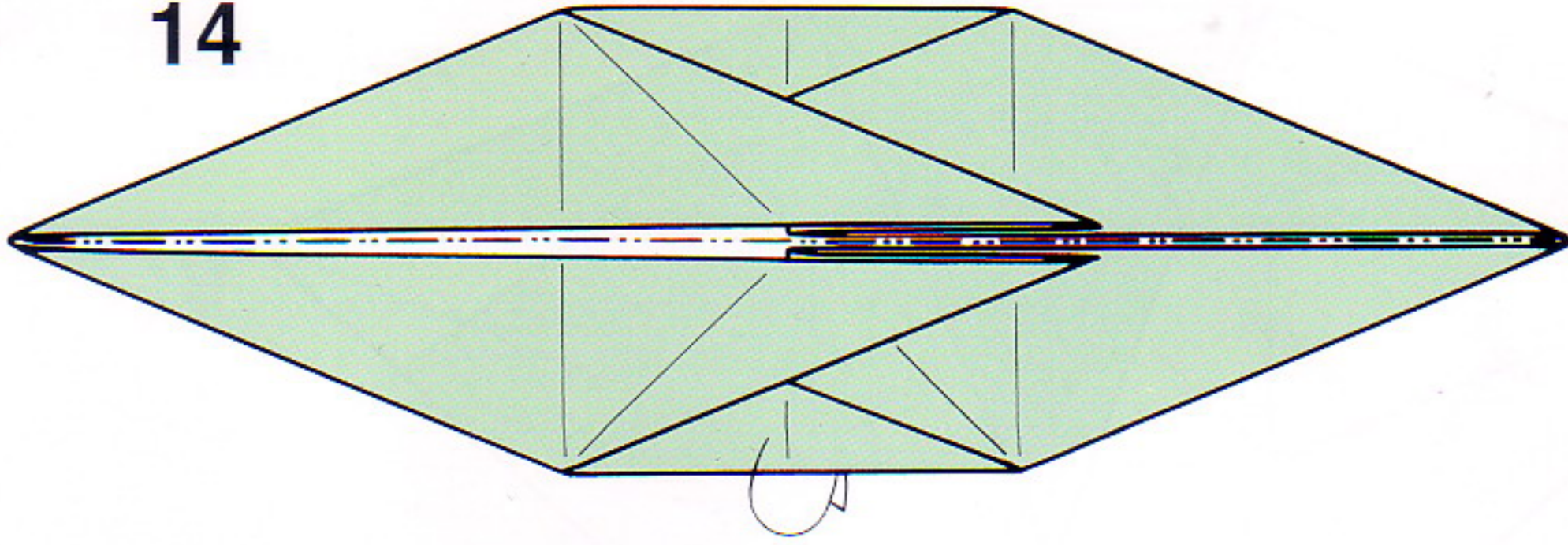
Flatten along the creases with left over right and repeat the same folds on the bottom side.

13



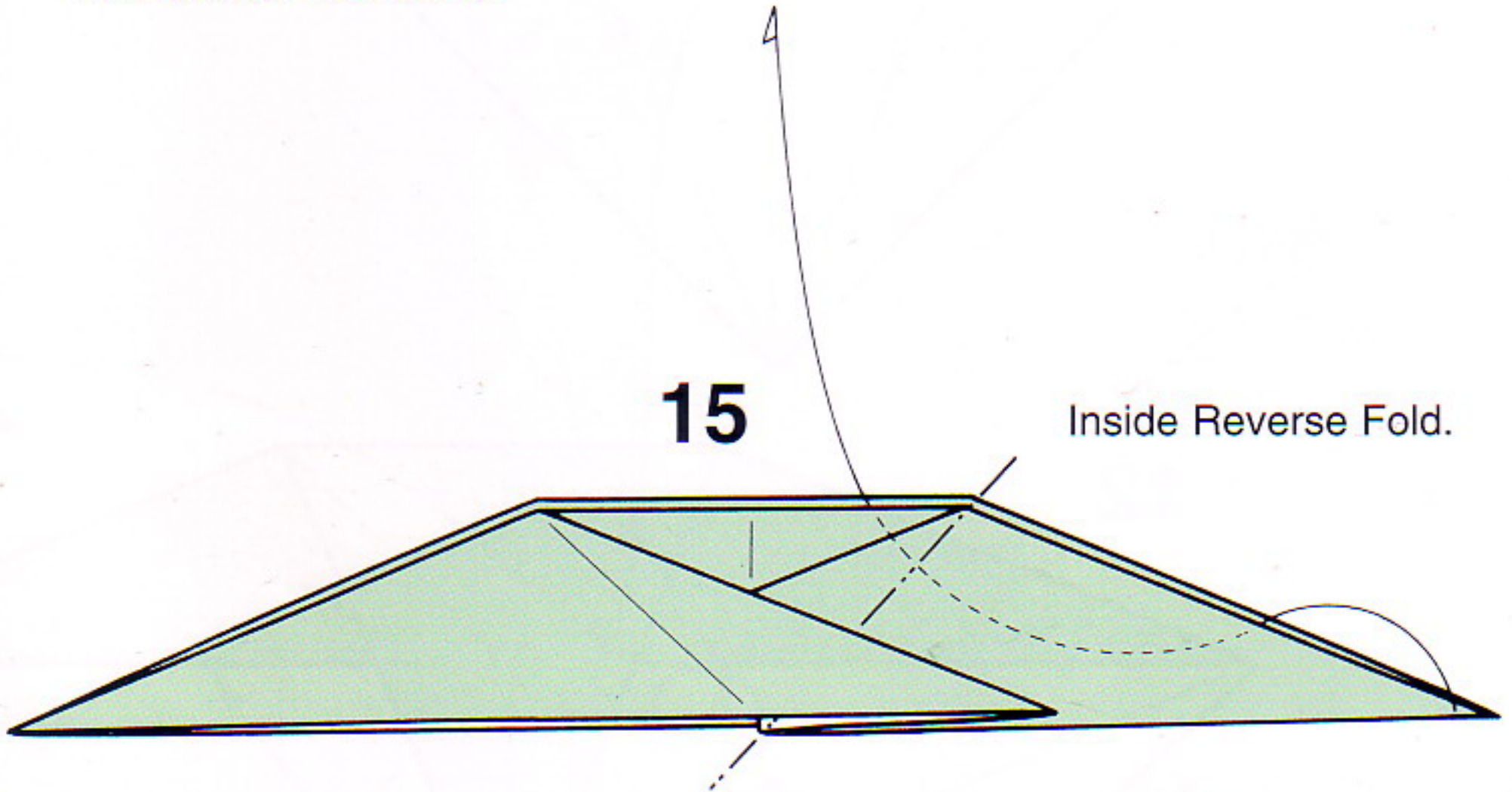


14



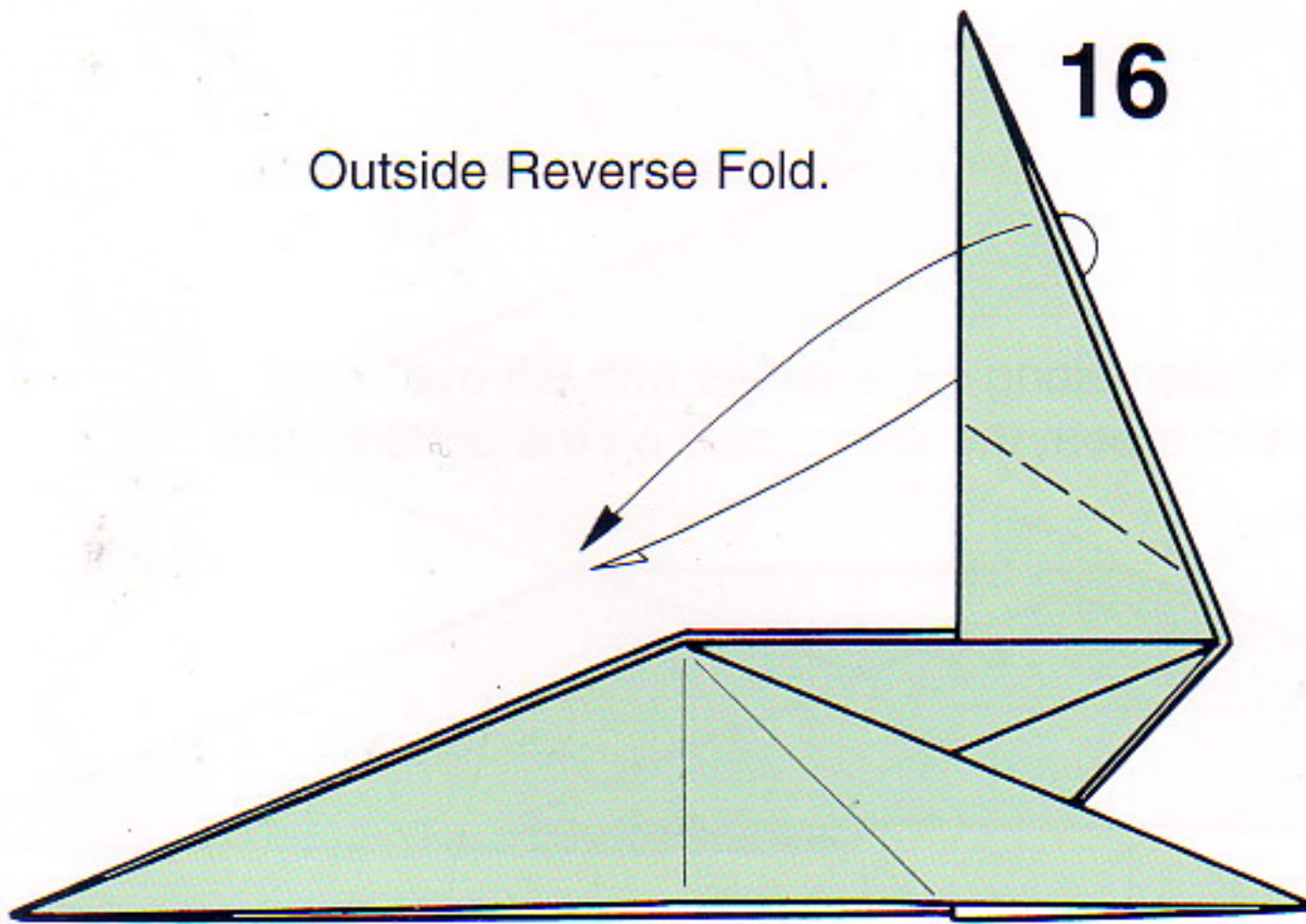
Fold bottom half back.

15



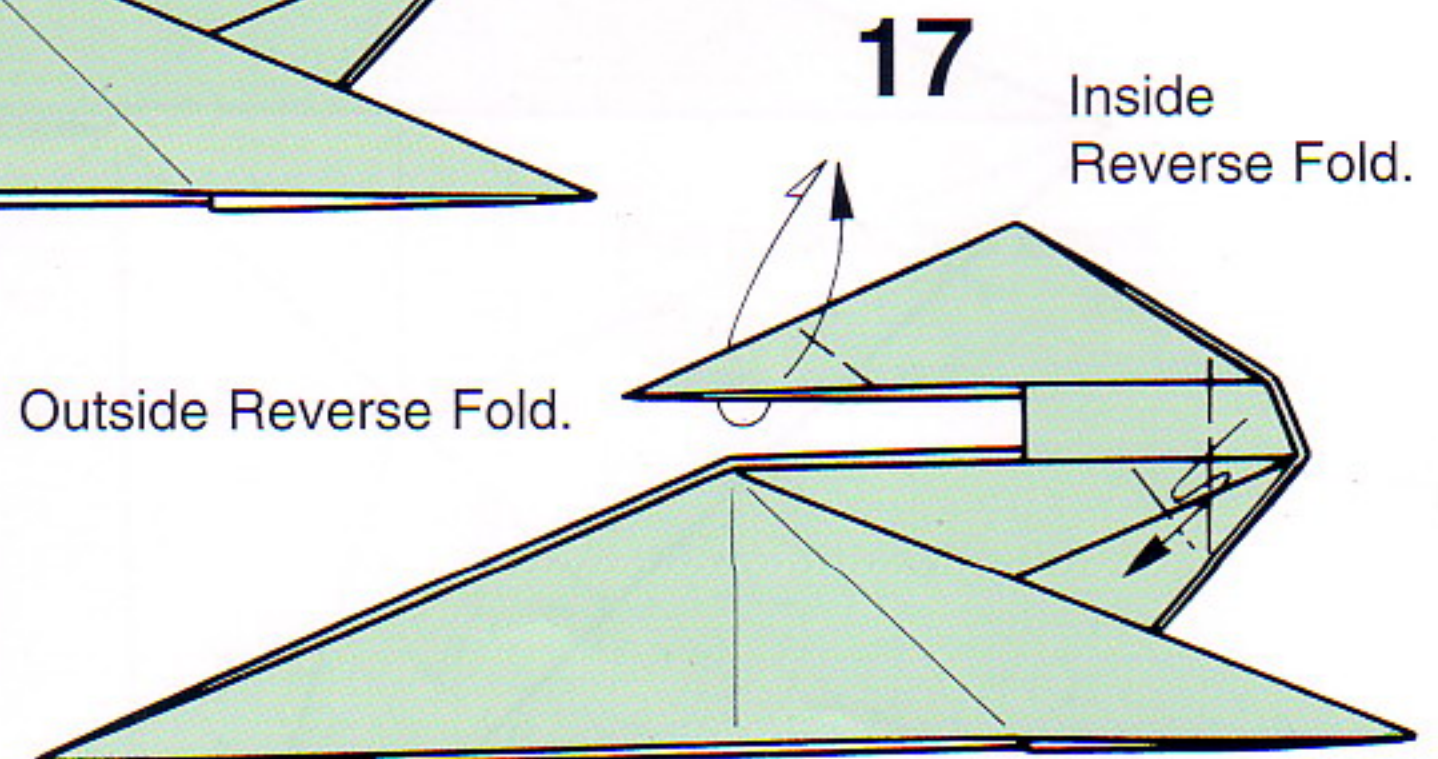
Inside Reverse Fold.

16



Outside Reverse Fold.

17



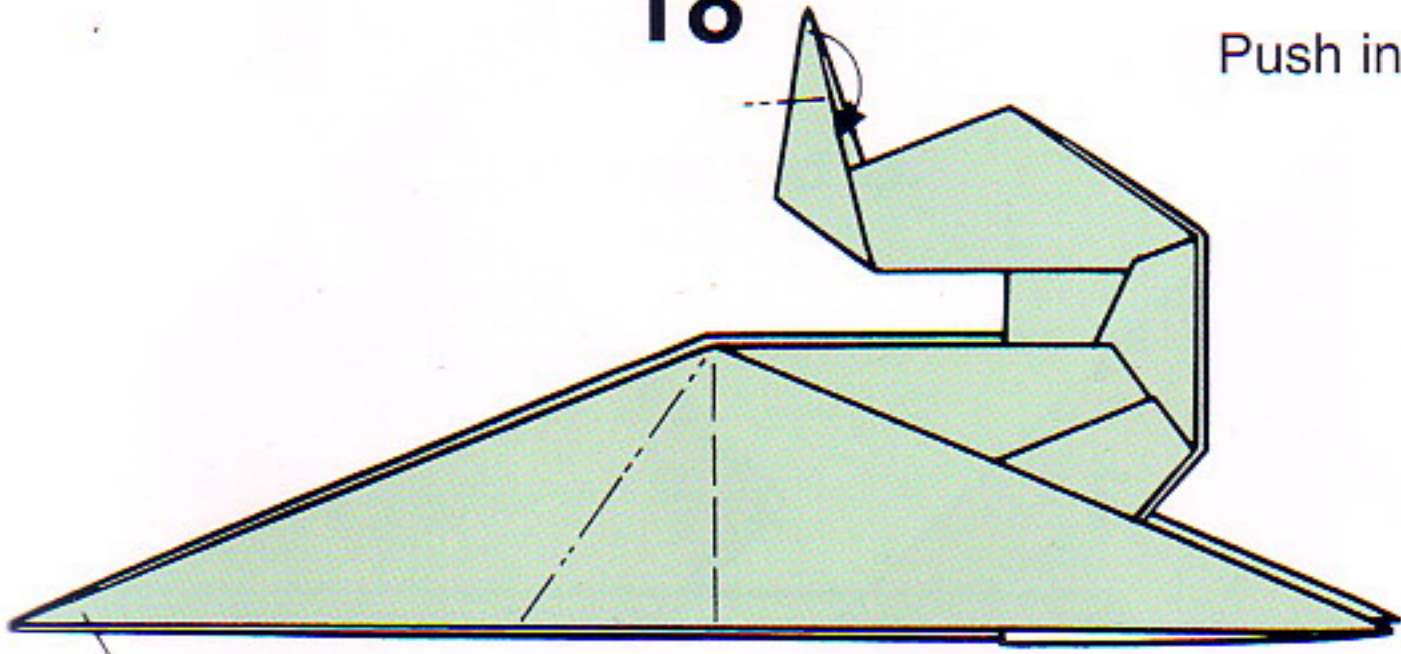
Inside Reverse Fold.

Outside Reverse Fold.



**18**

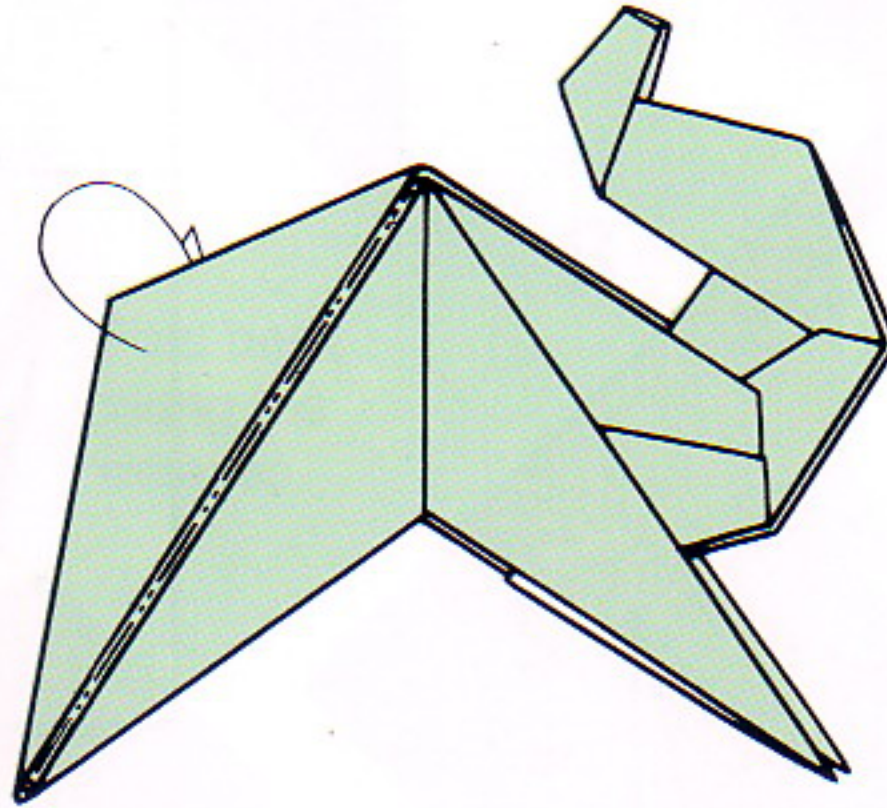
Push in.



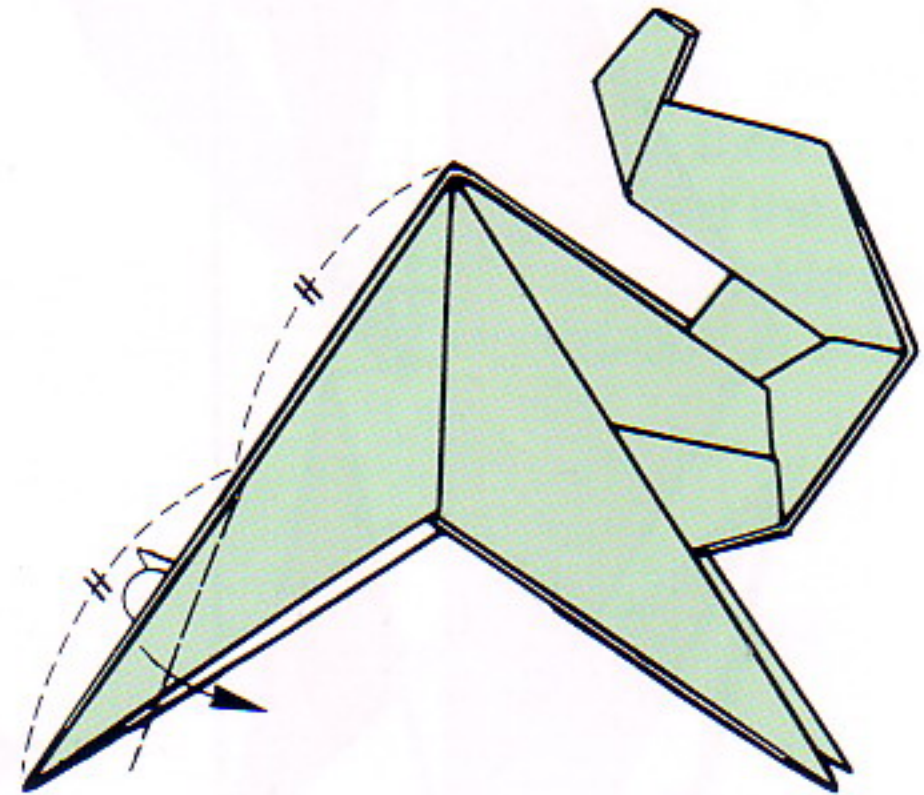
Pull down along the creases and flatten.

**19**

Fold back.

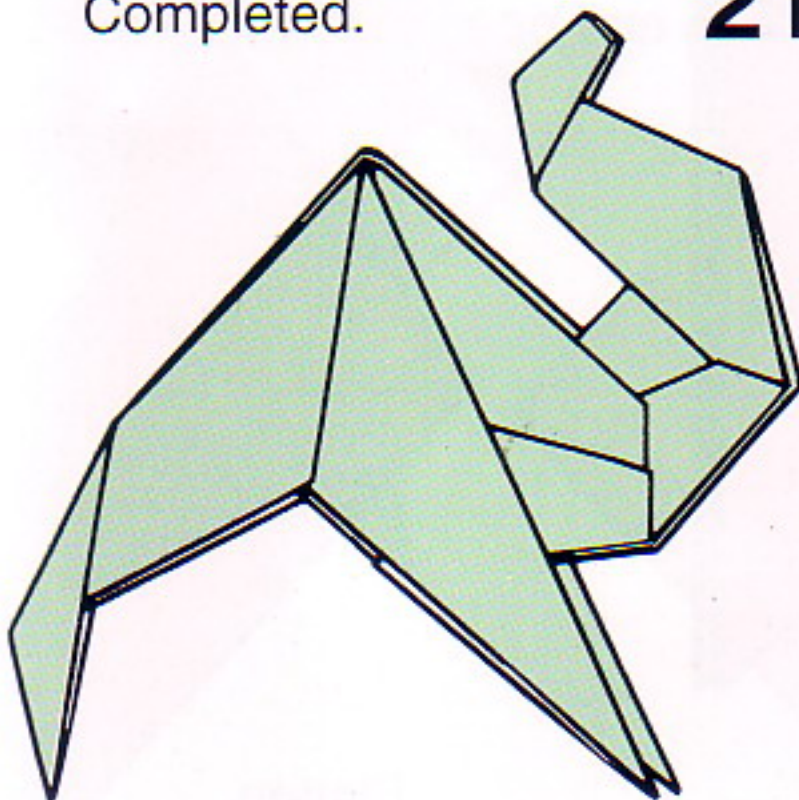


**20**



Completed.

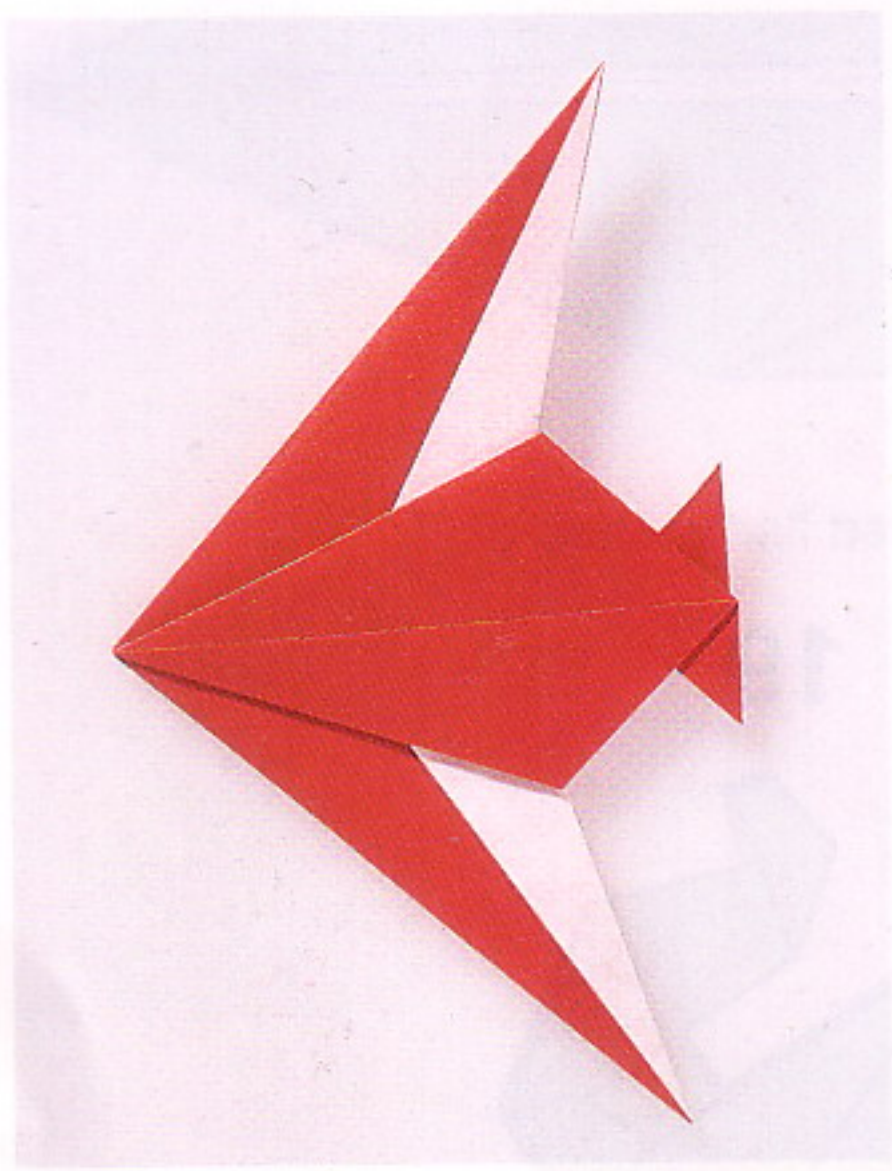
**21**



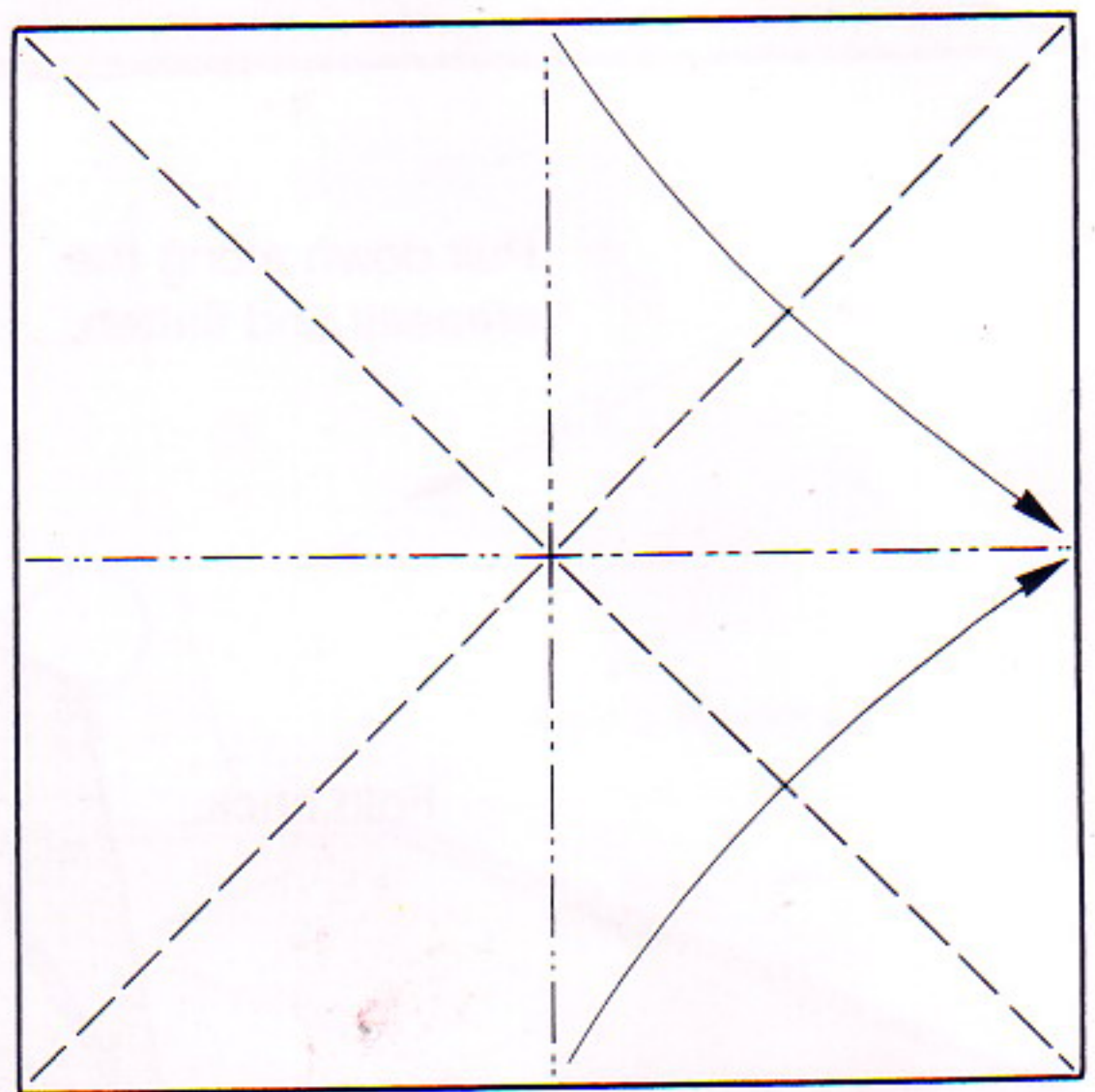
Outside Reverse Fold.



# TROPICAL FISH

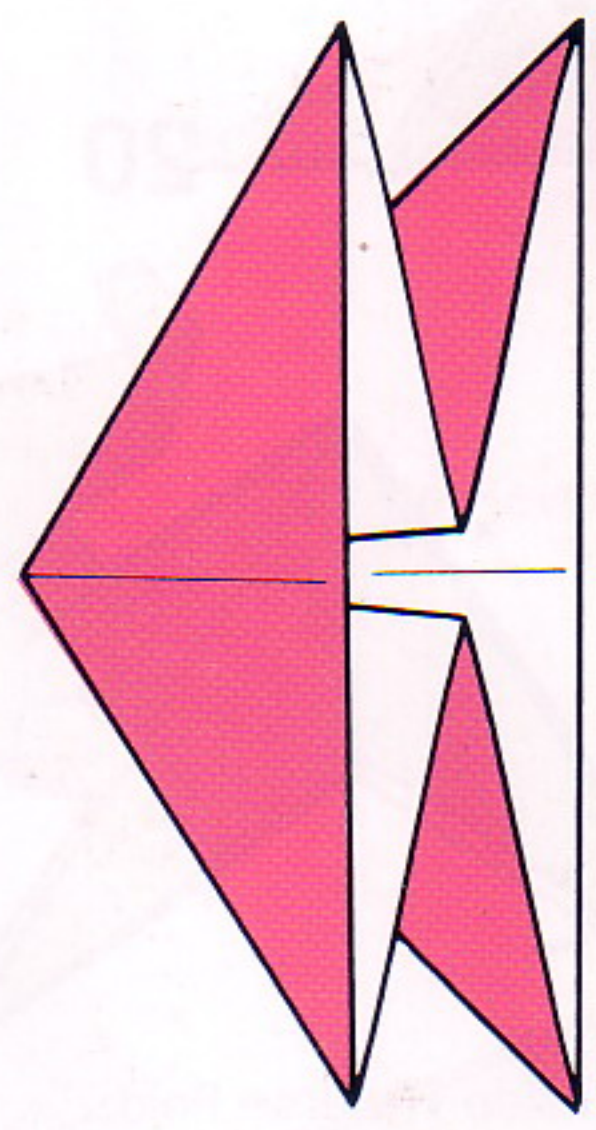


1

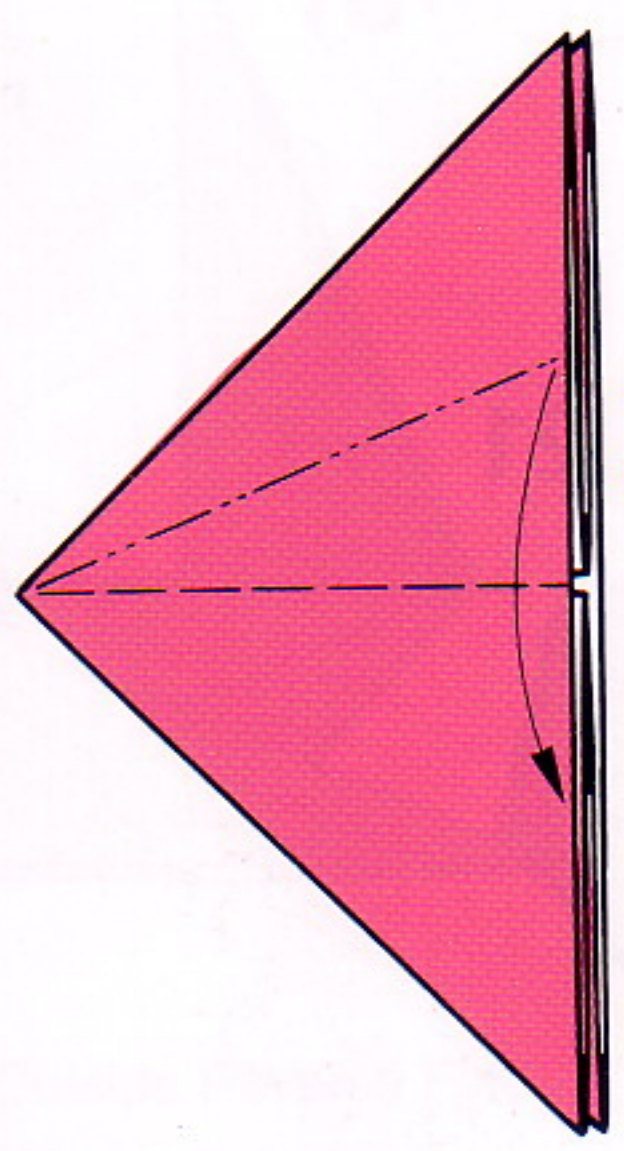


Flatten along the creases to form two triangles.

2

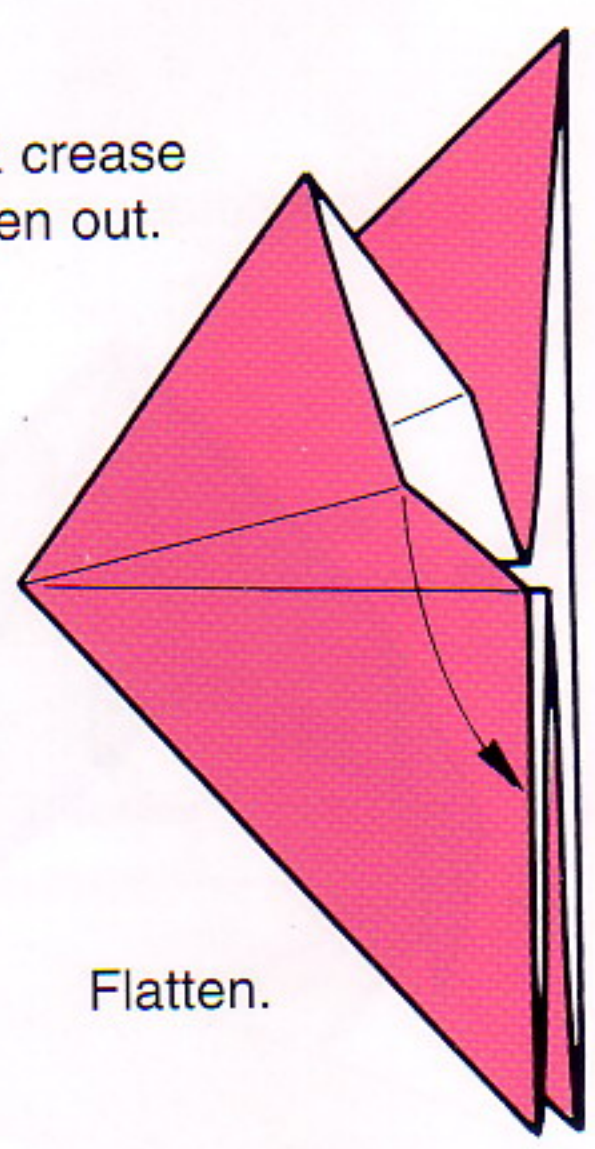


3



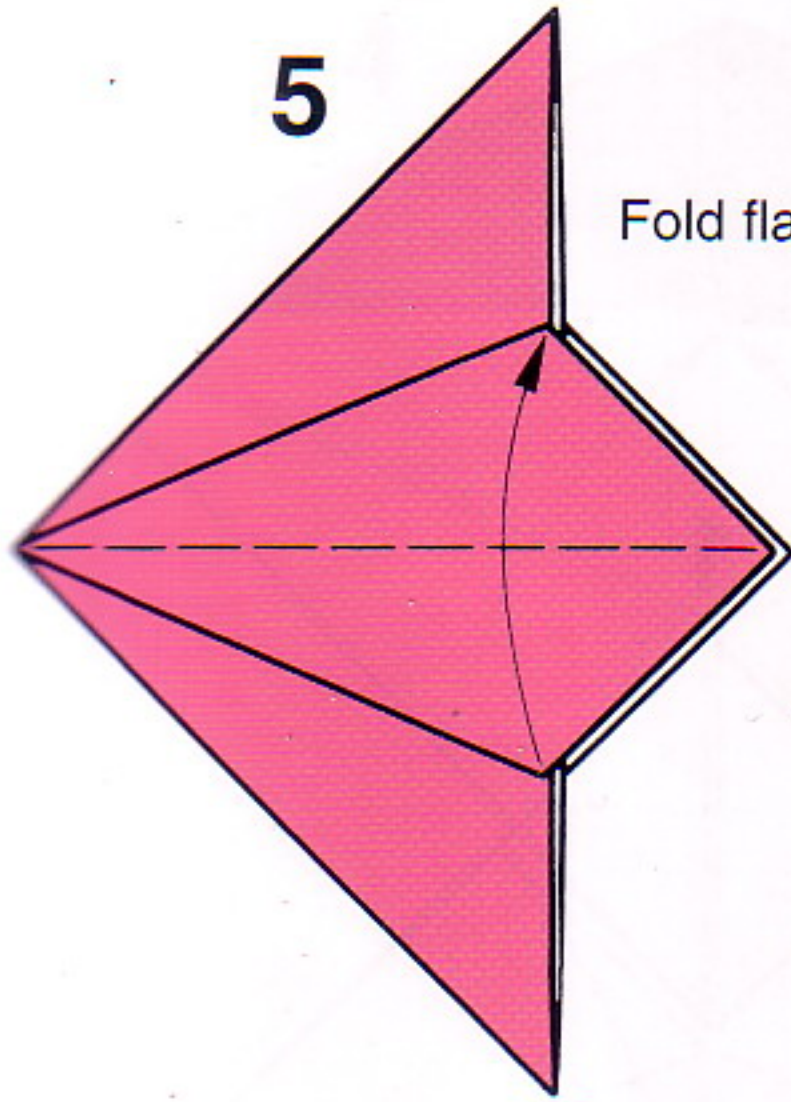
Make a crease and open out.

4

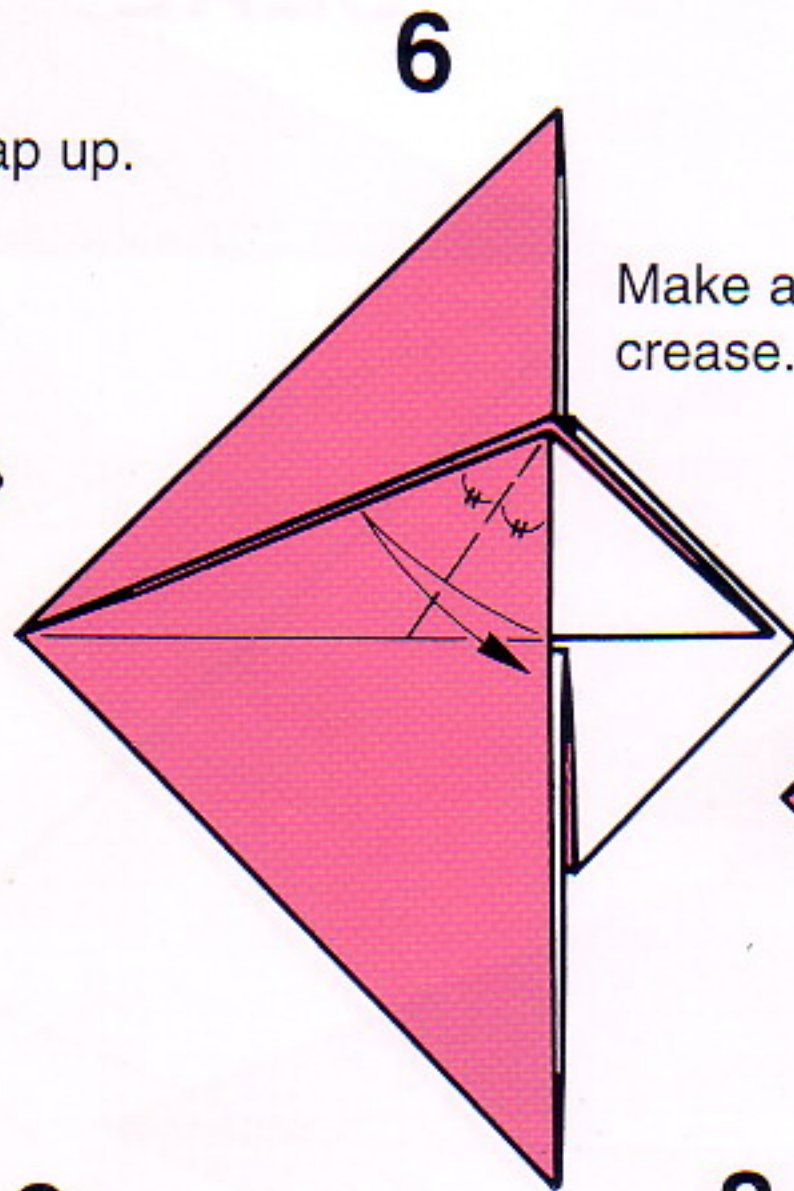


Flatten.

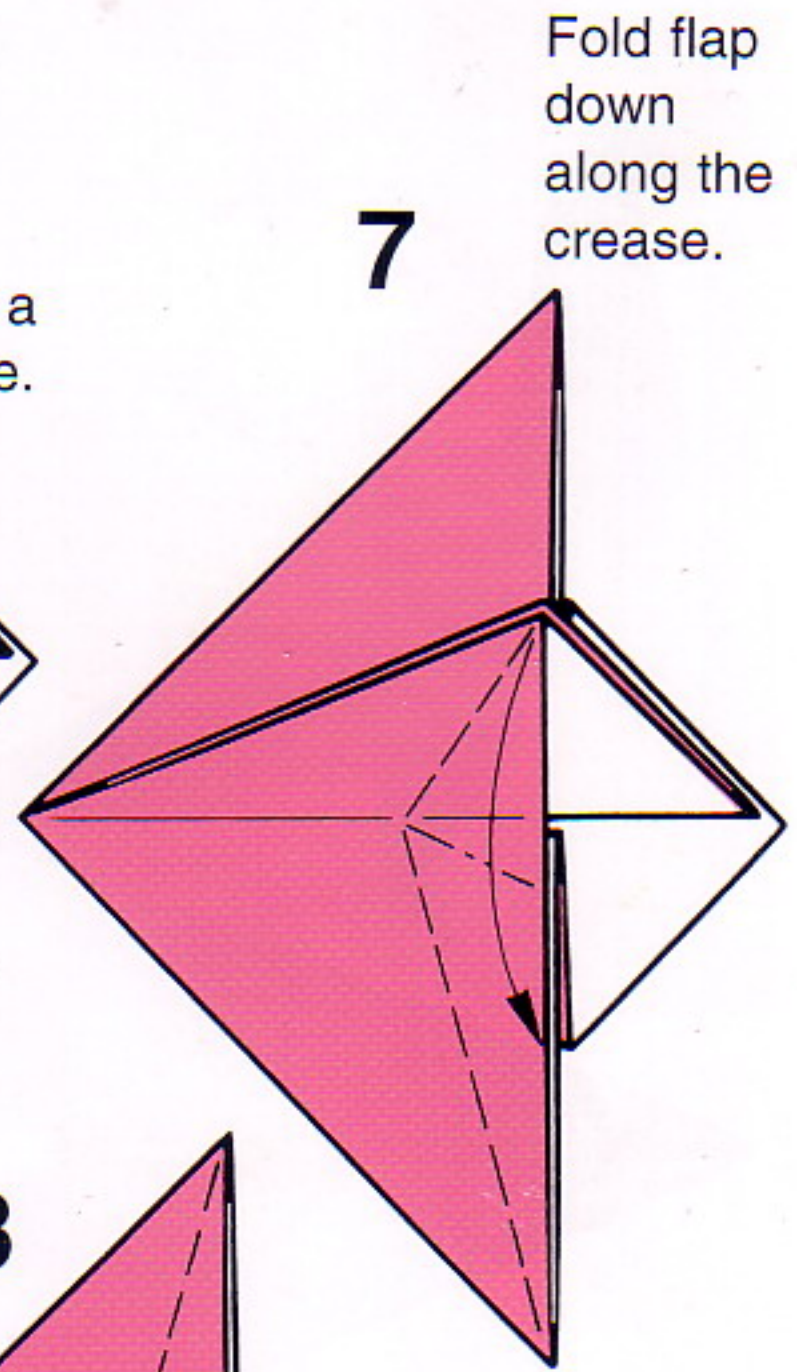




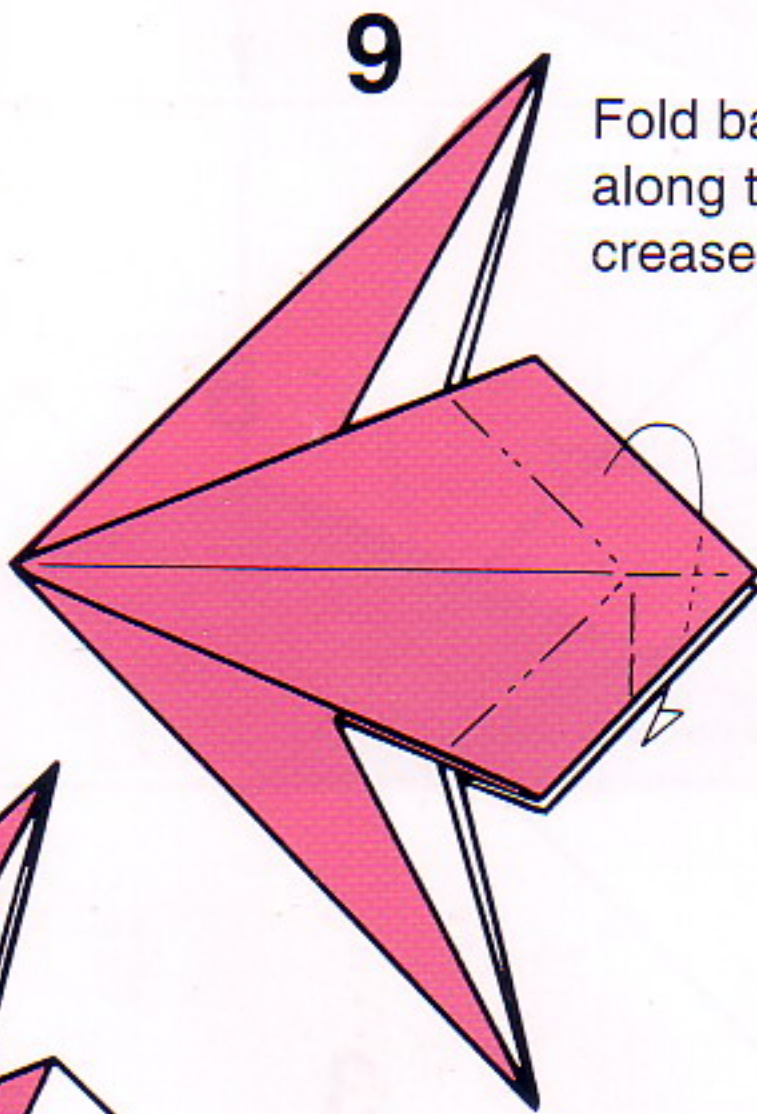
Fold flap up.



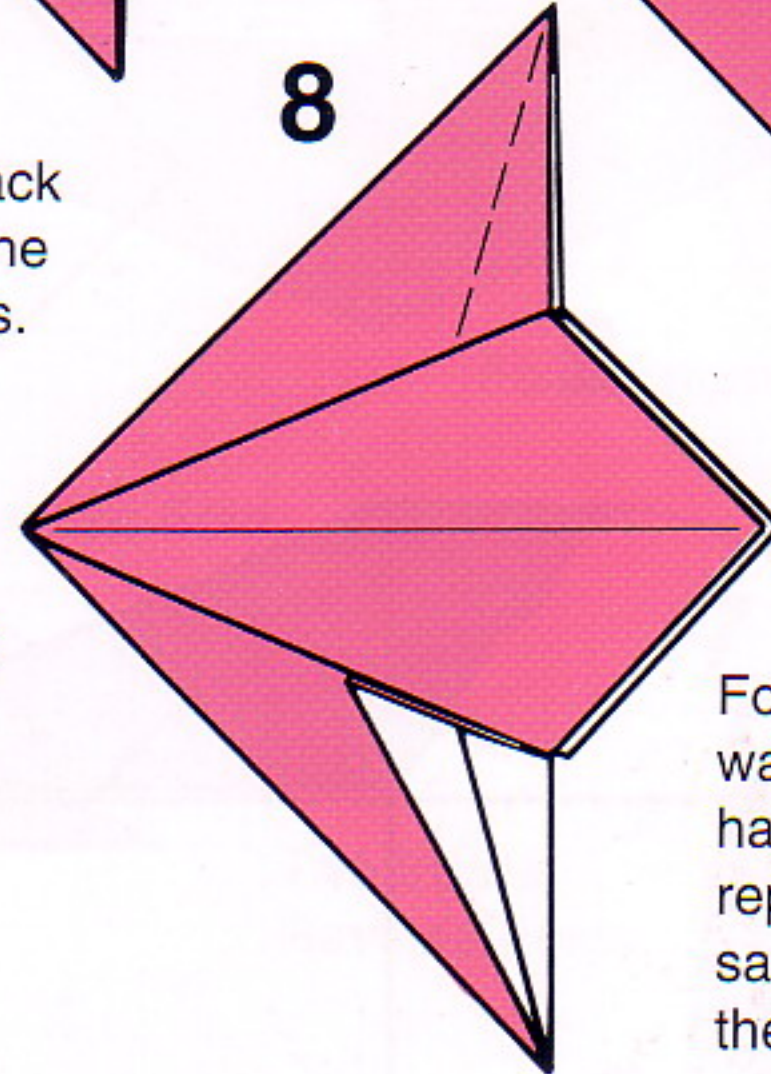
Make a crease.



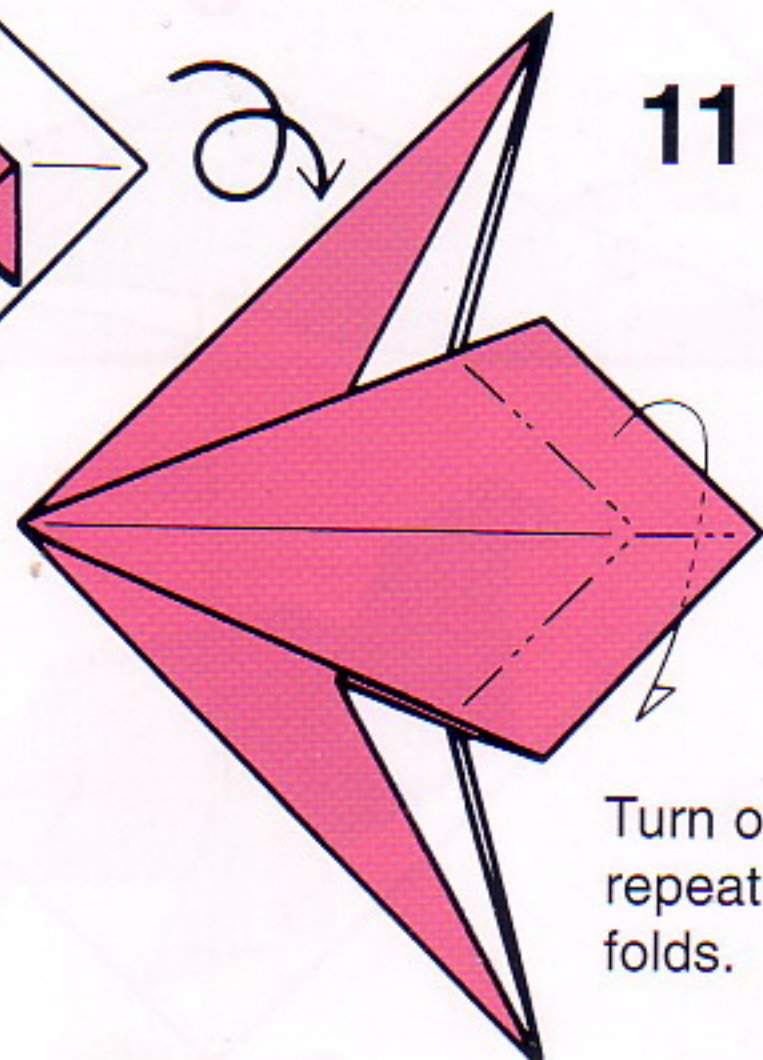
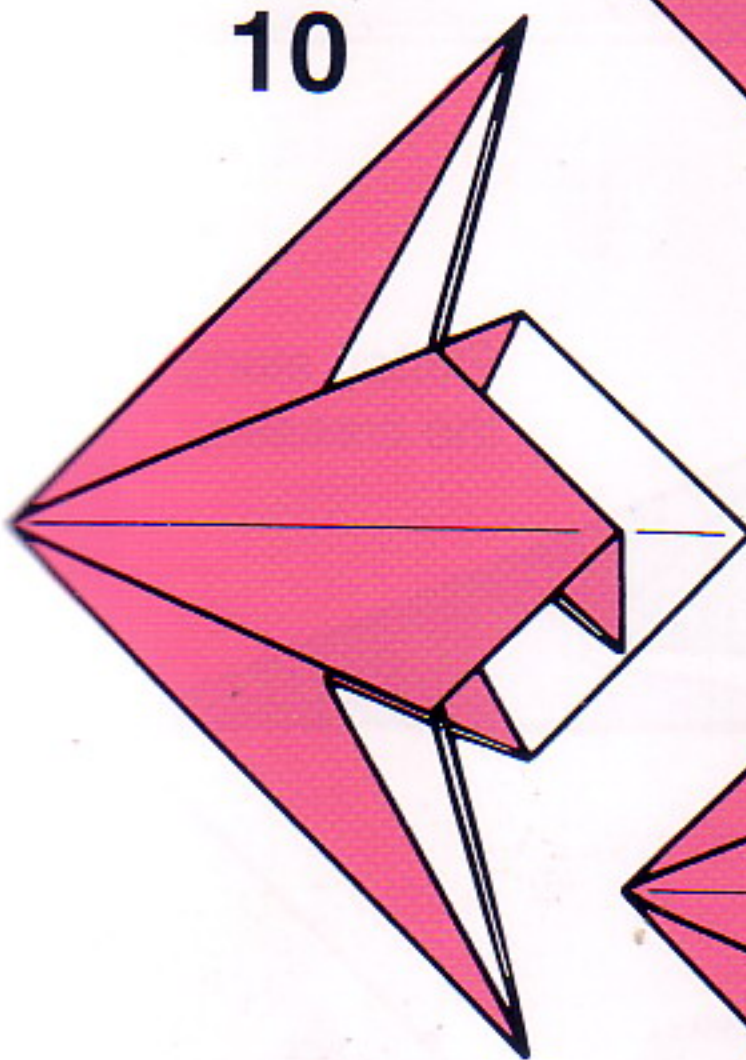
Fold flap down along the crease.



Fold back along the creases.

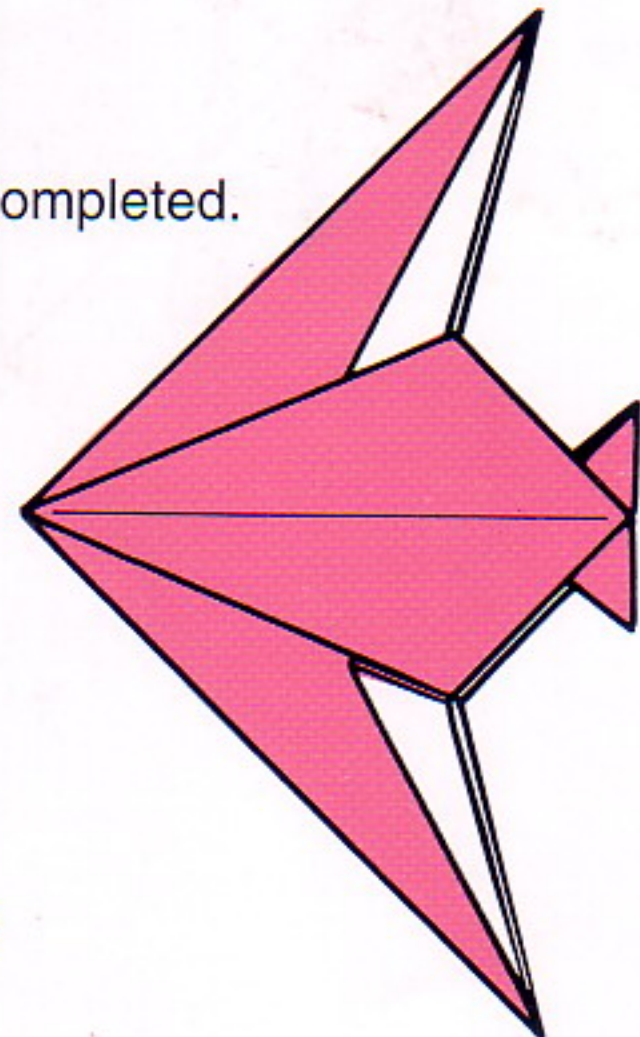


Fold the same way on the top half, then repeat the same folds on the other side.



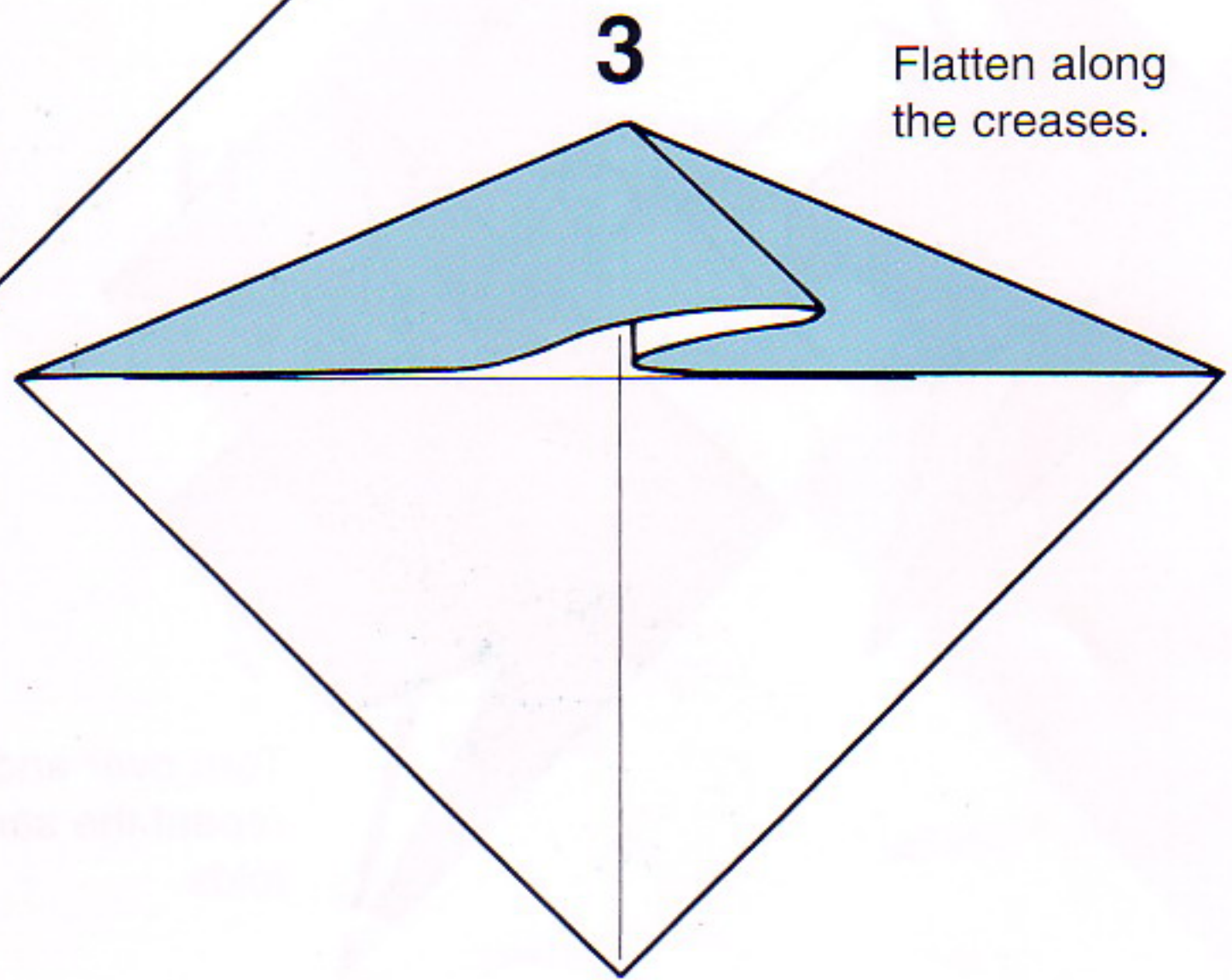
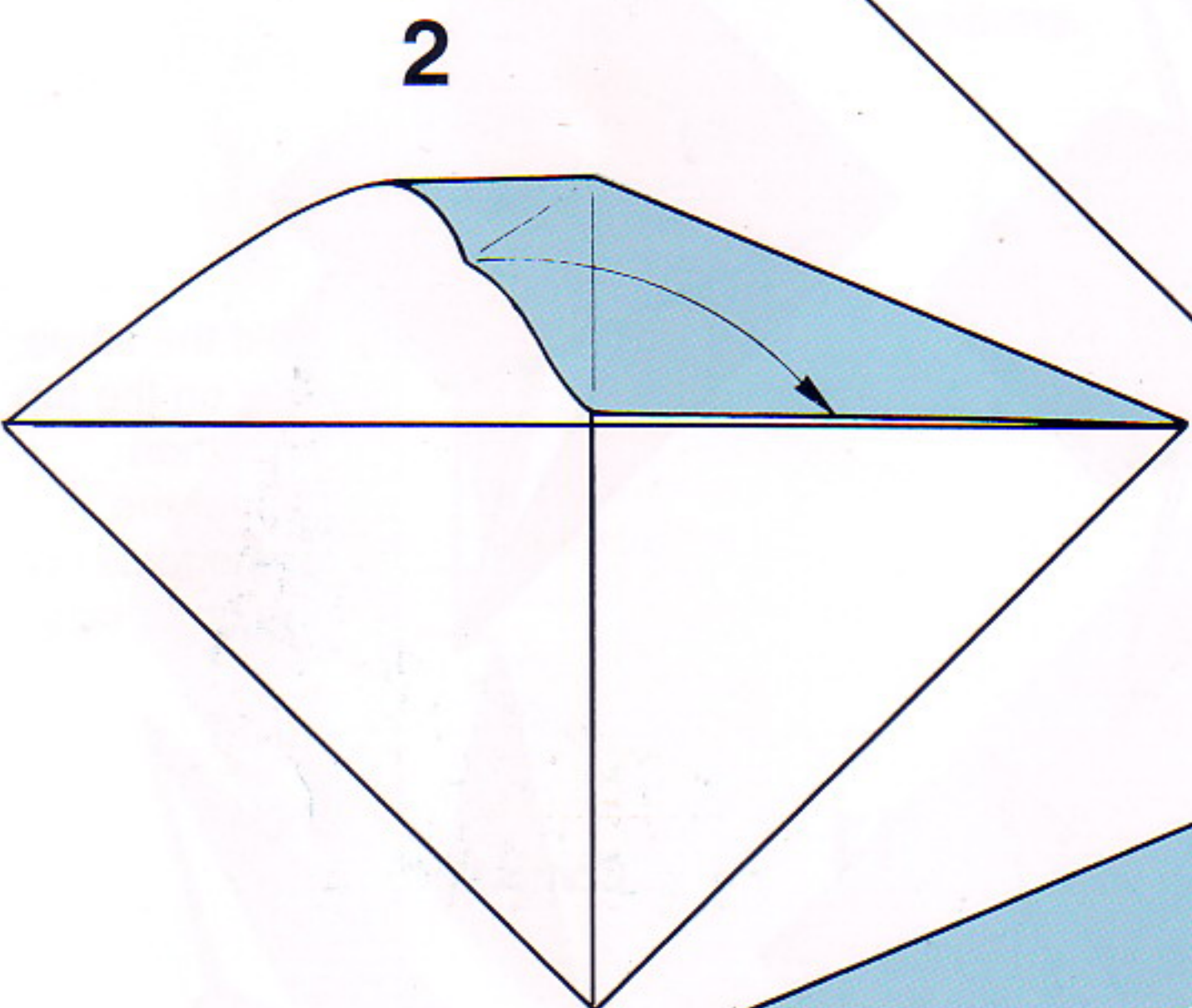
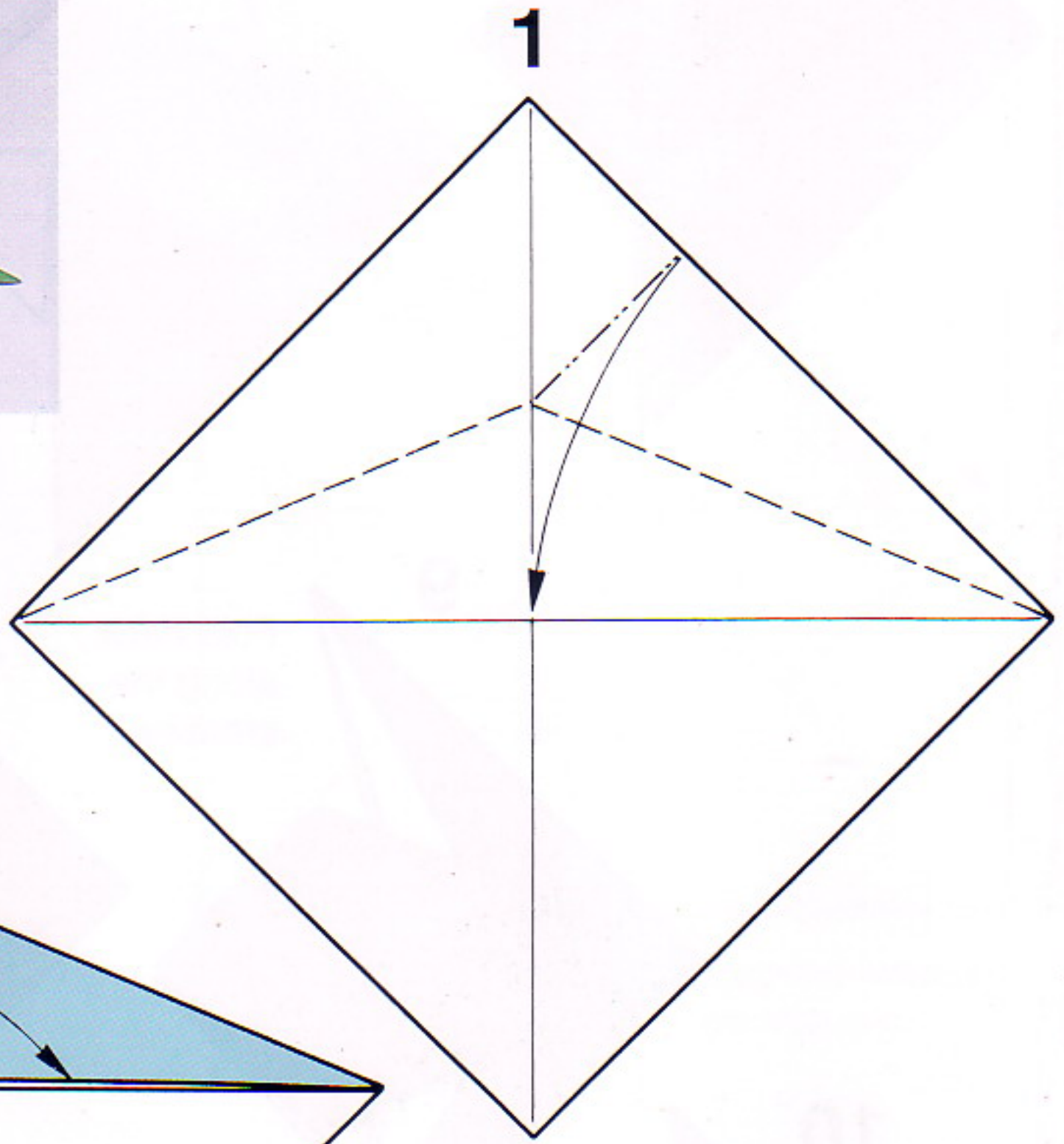
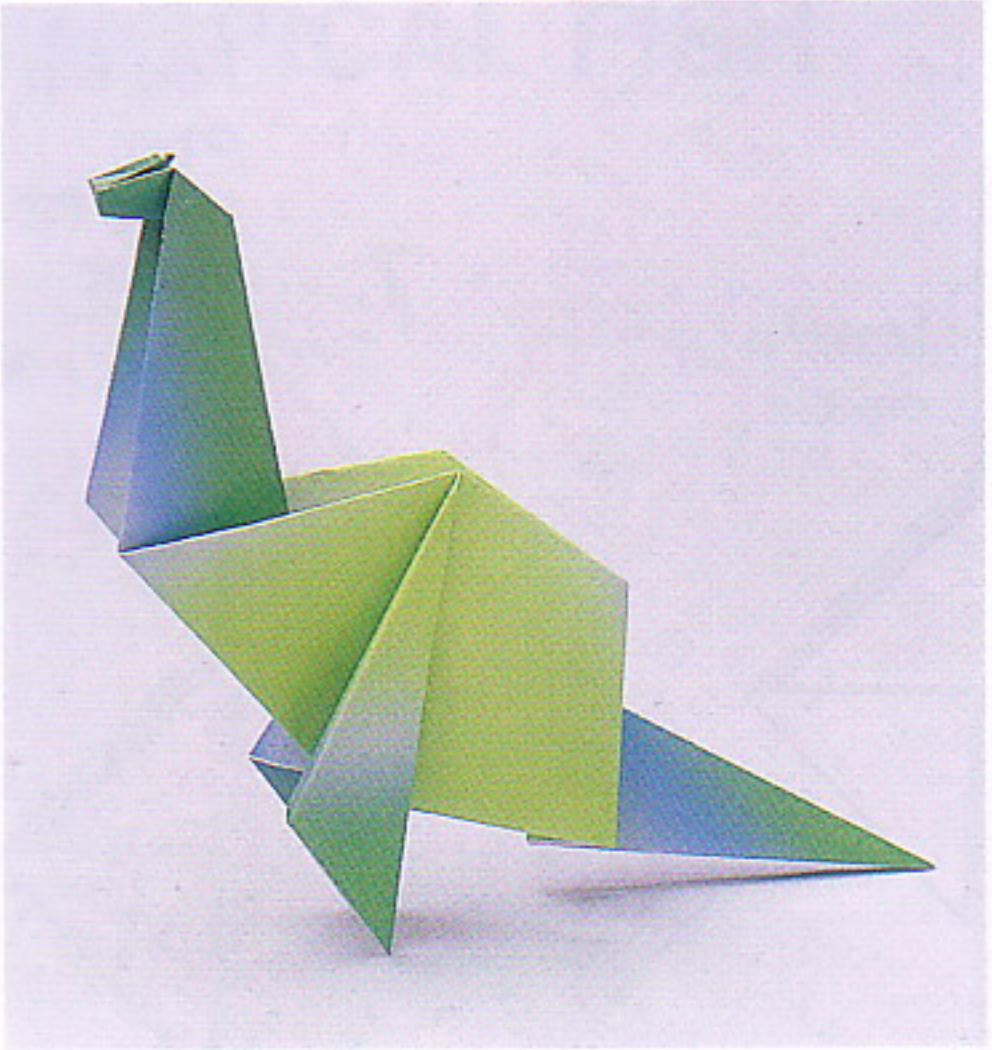
Turn over and repeat the same folds.

Completed.

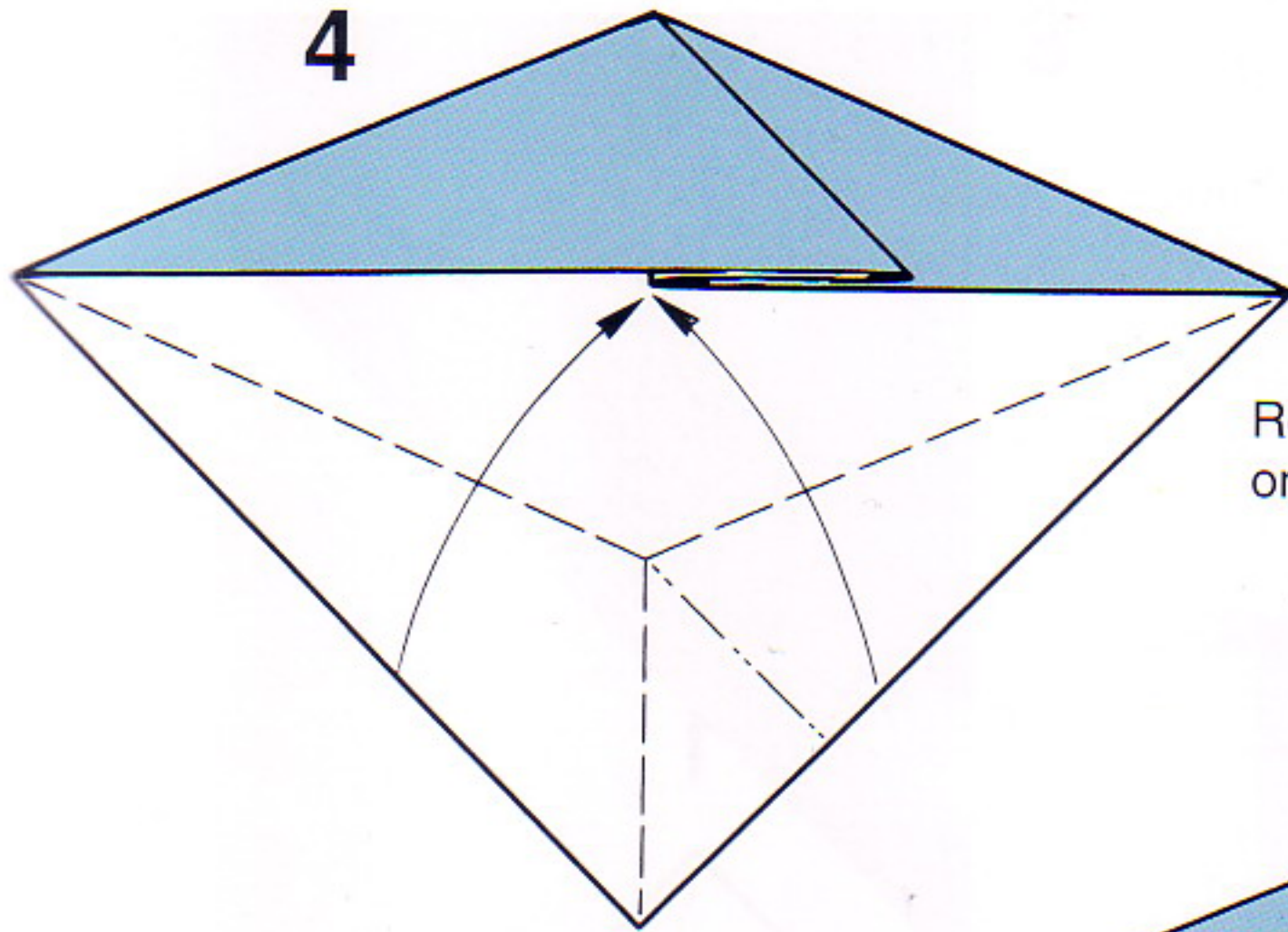




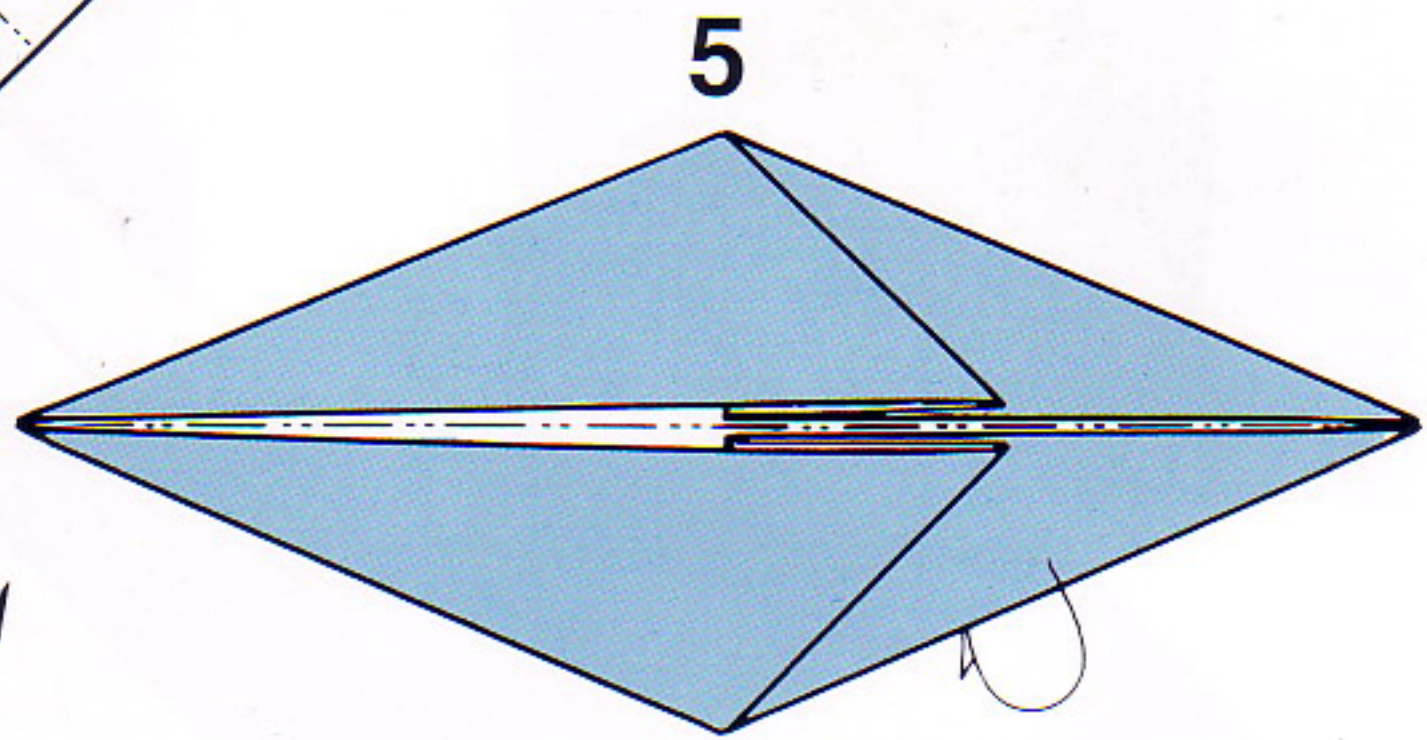
# SEAL



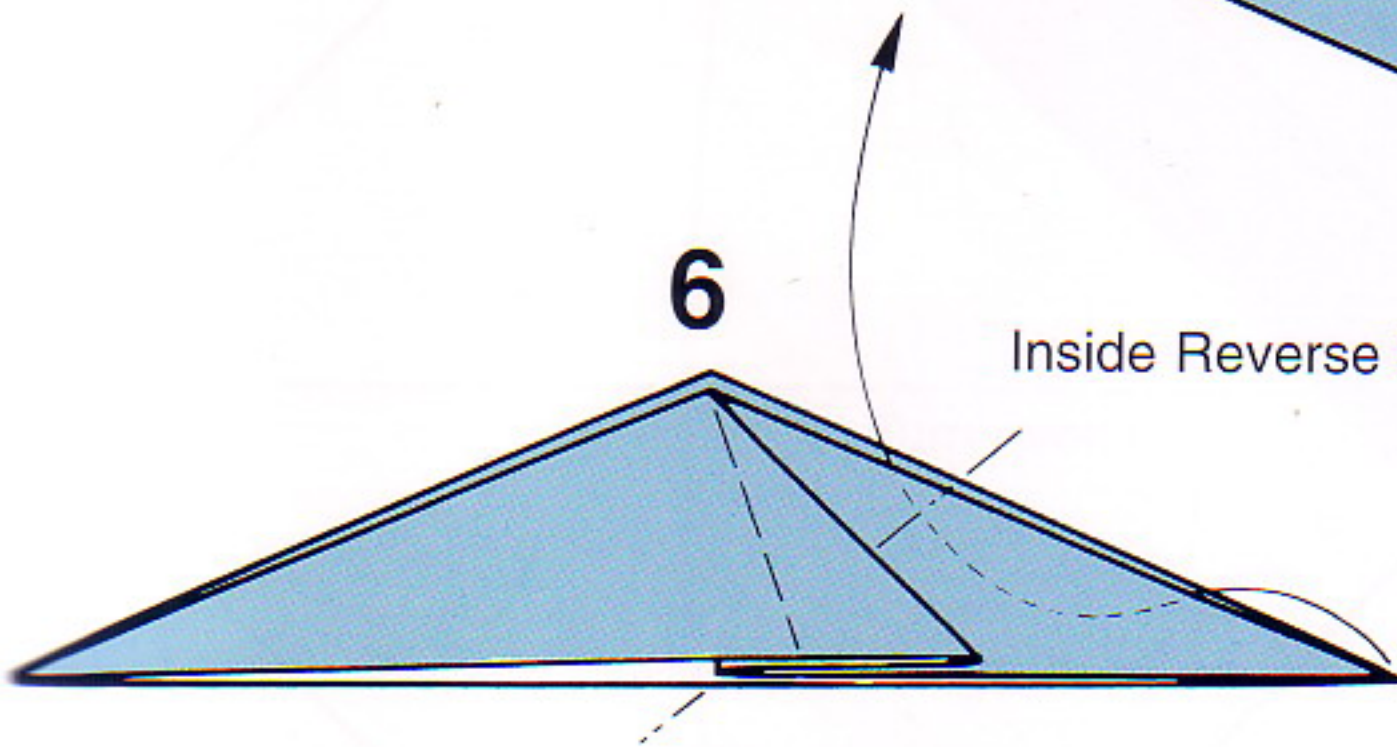




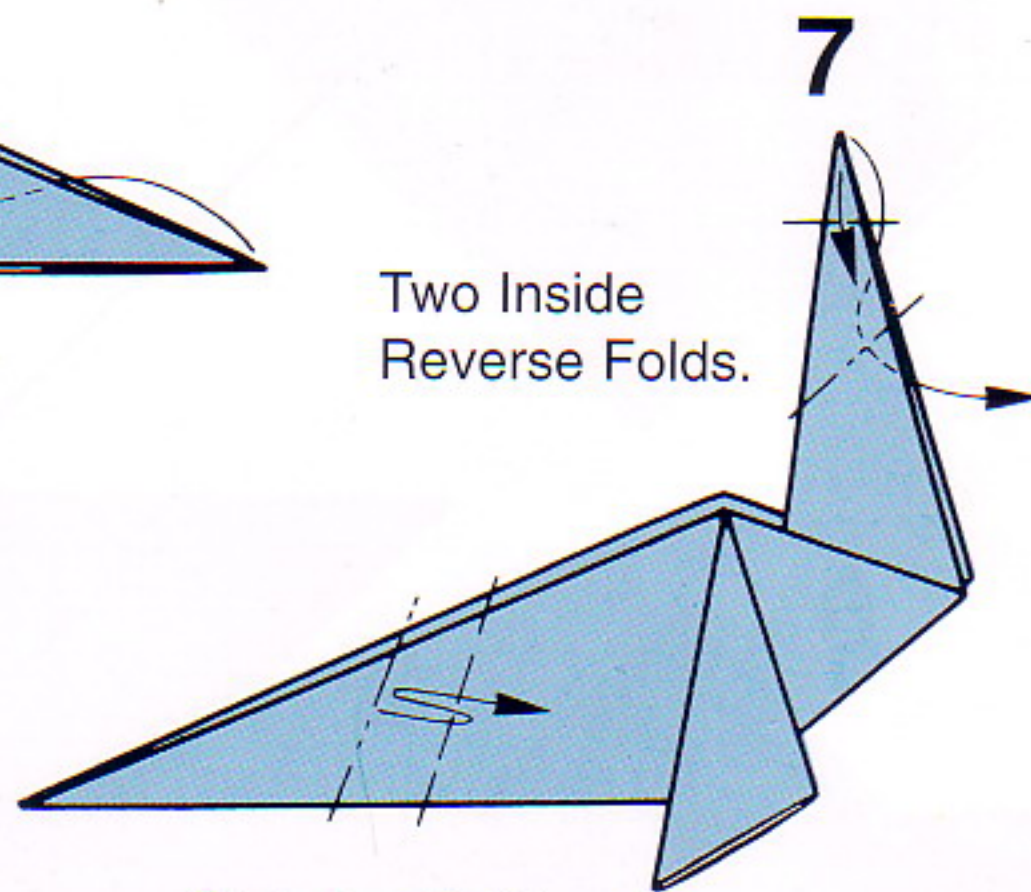
Repeat the same folds  
on the other side.



Fold bottom half back.



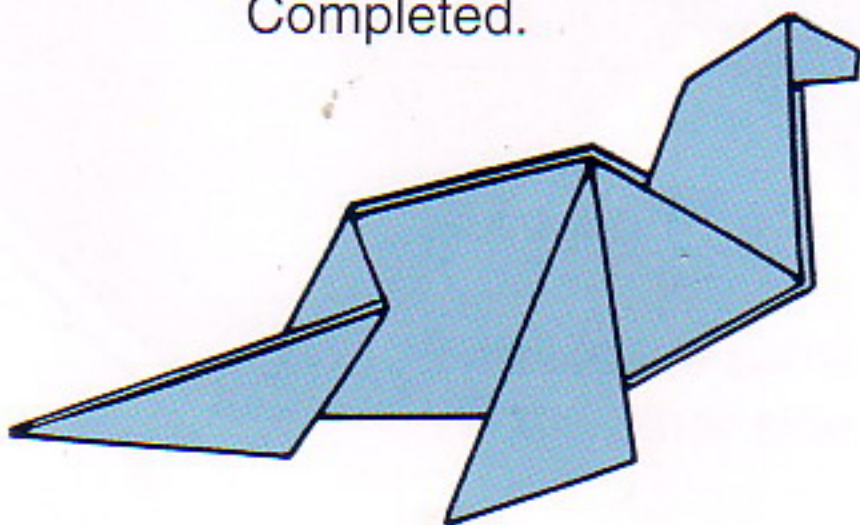
Inside Reverse Fold.



Two Inside  
Reverse Folds.

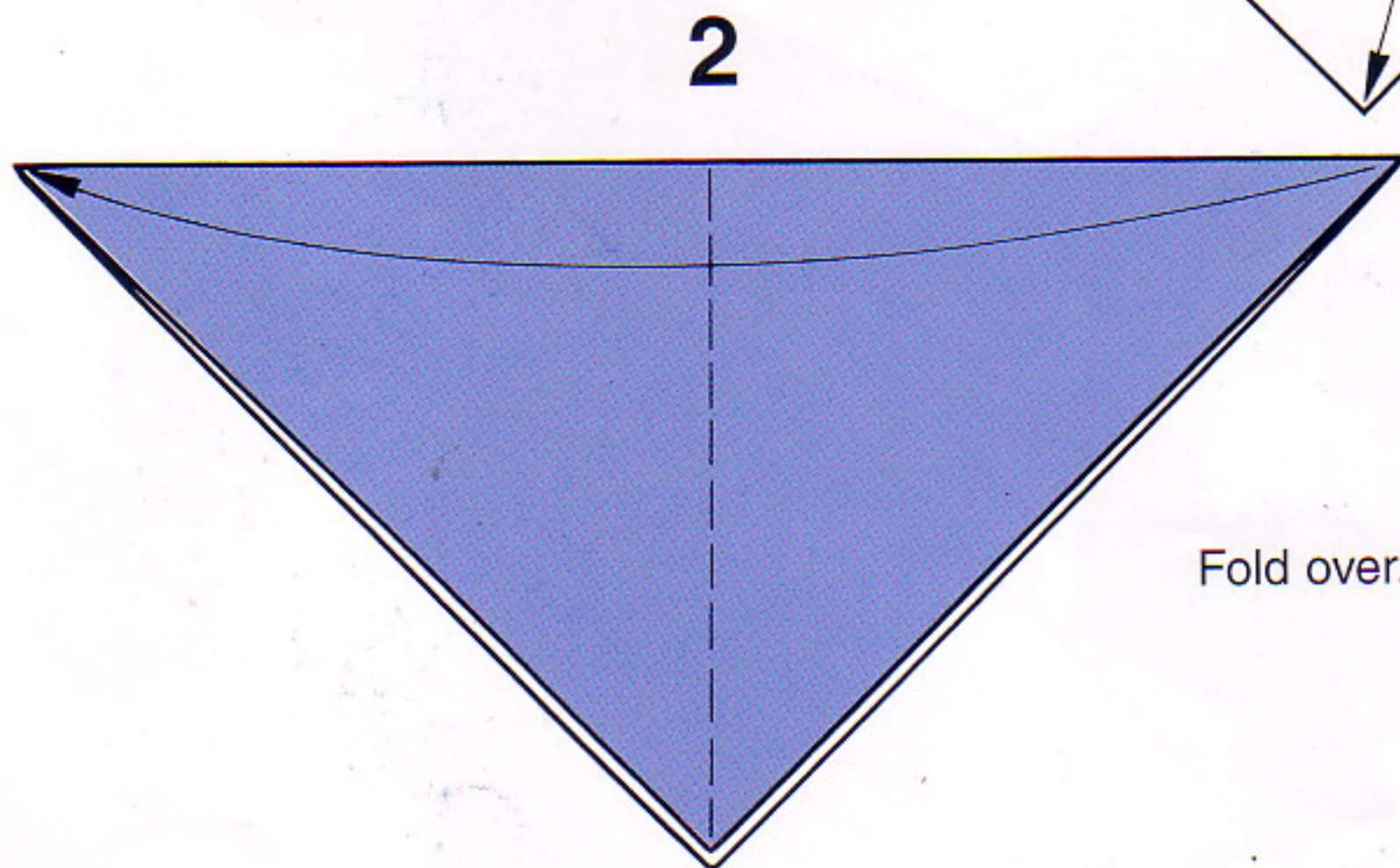
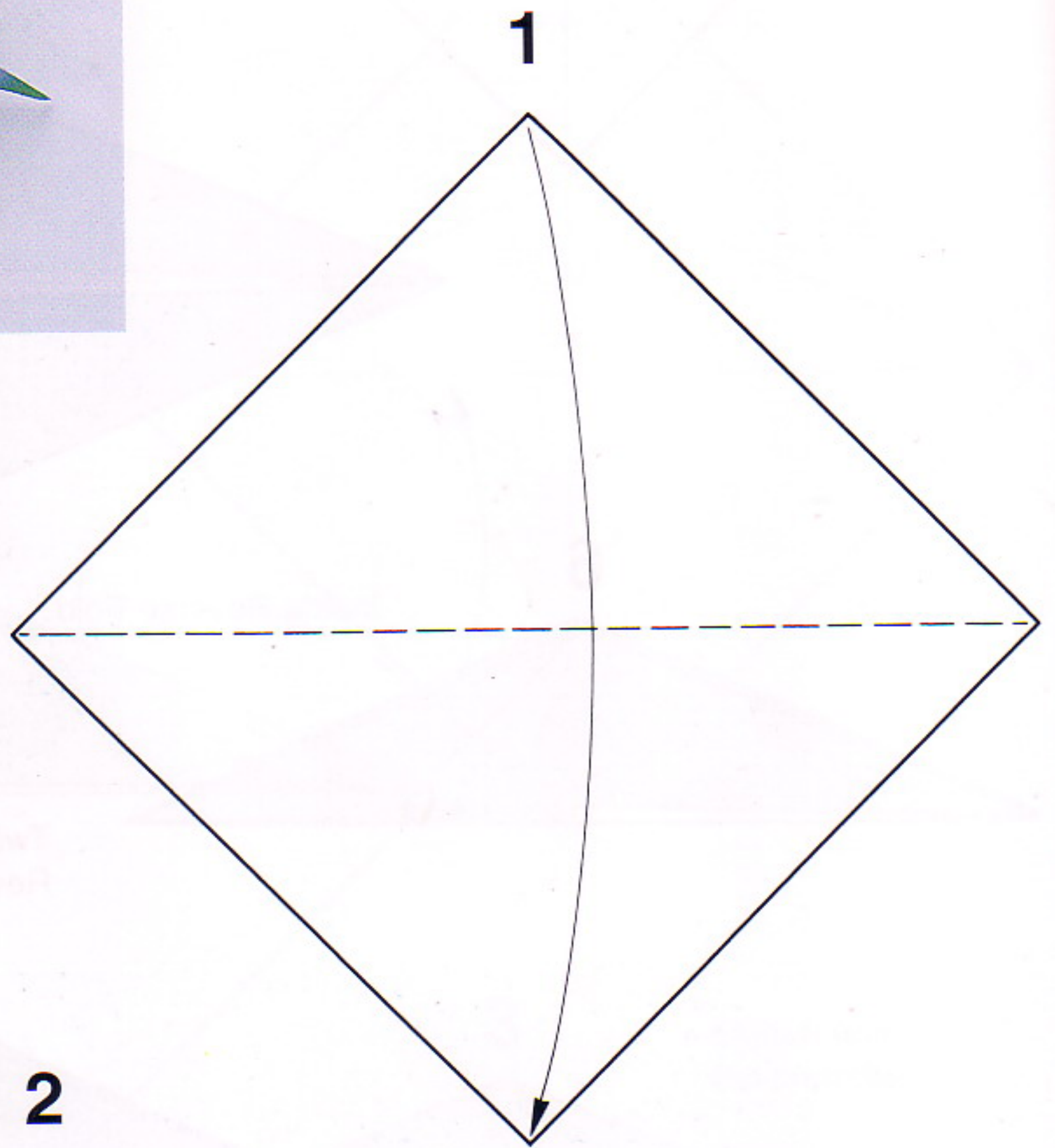
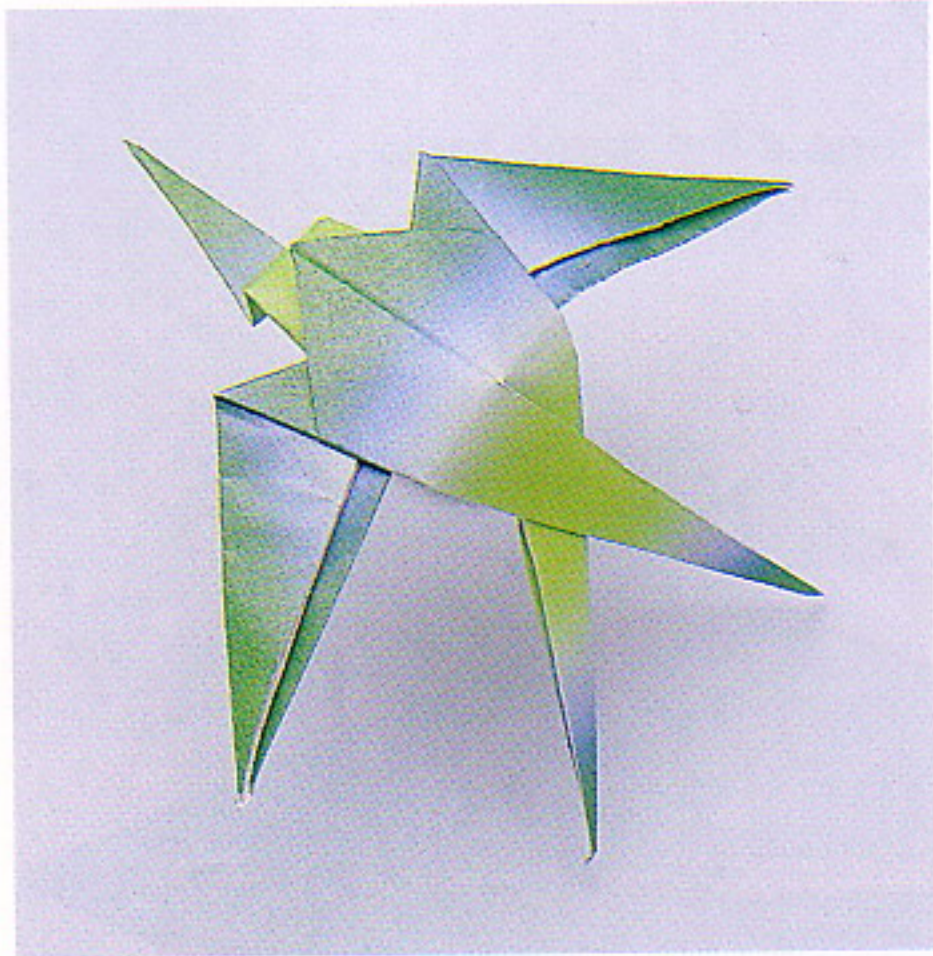
Stairstep Fold.

Completed.



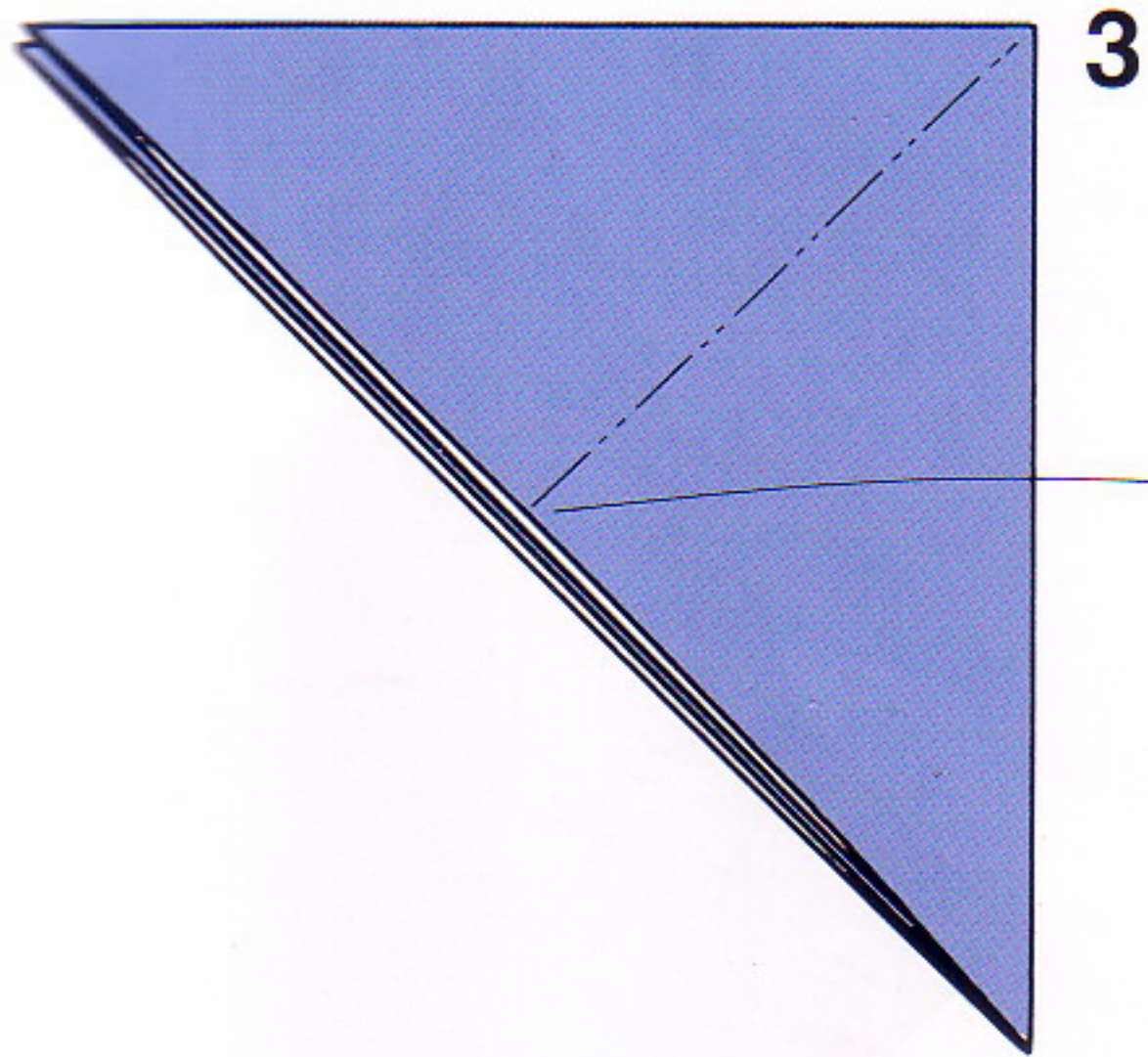


# SWALLOW

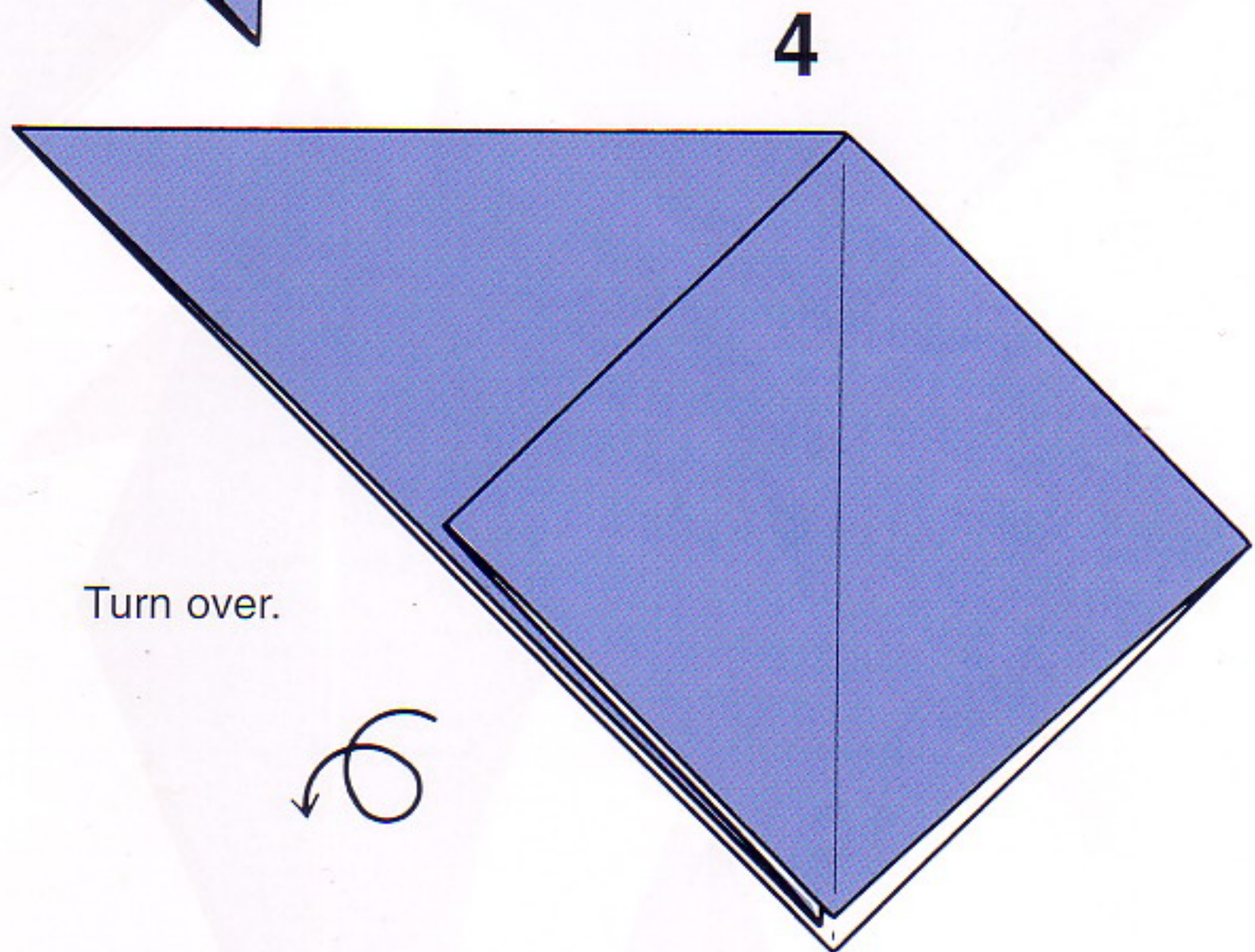


Fold over.

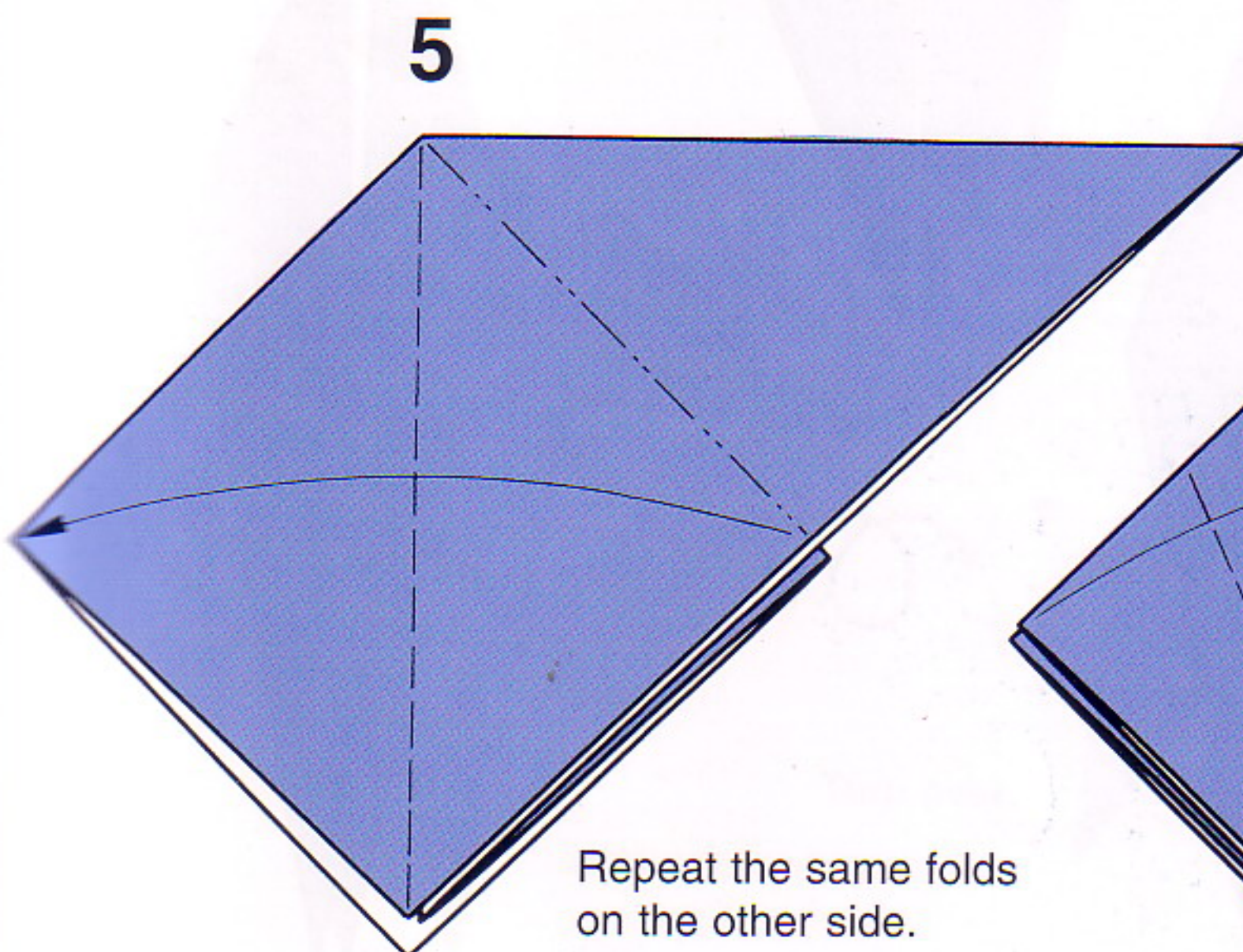




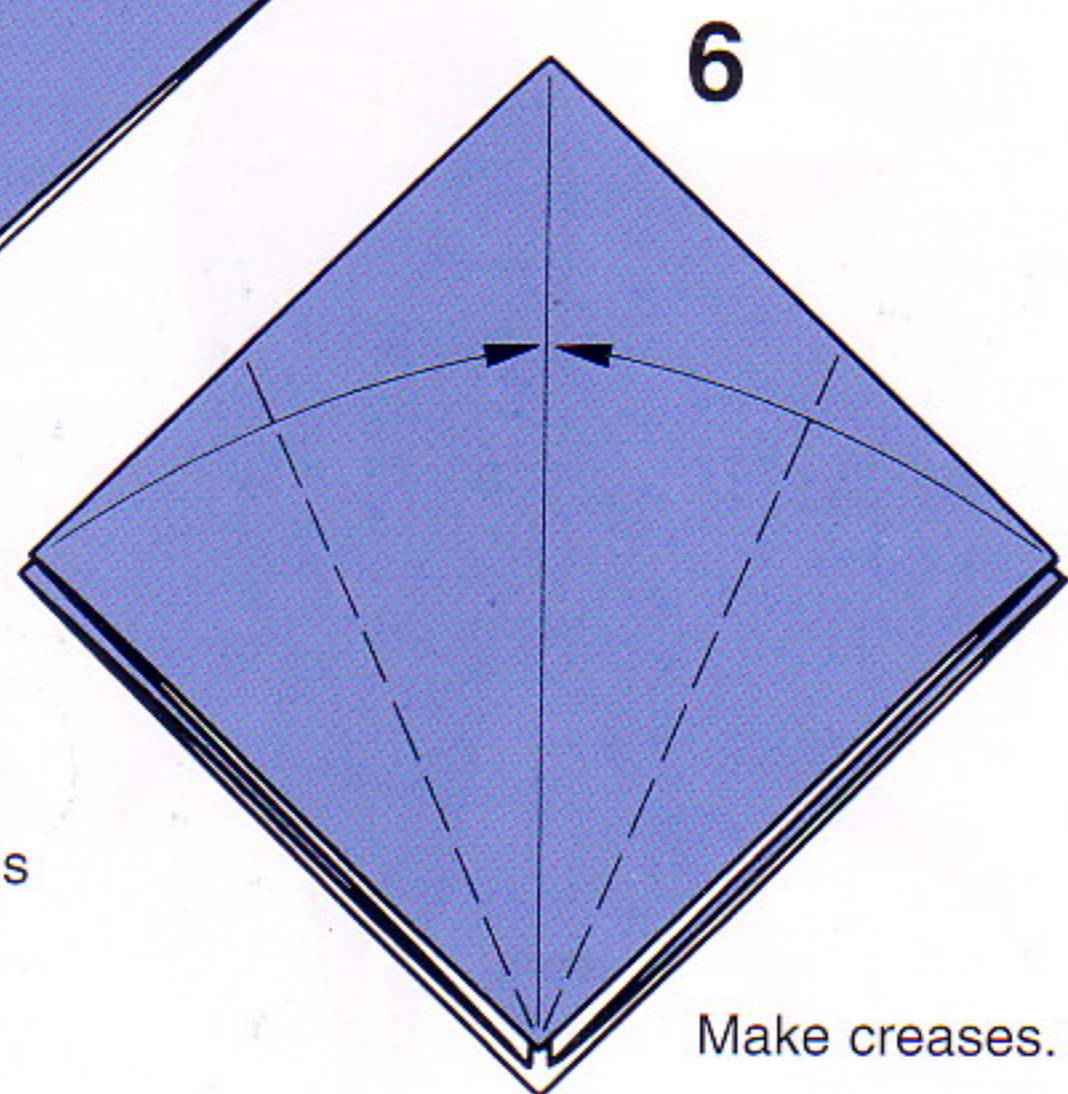
Open out and flatten  
along the crease.



Turn over.

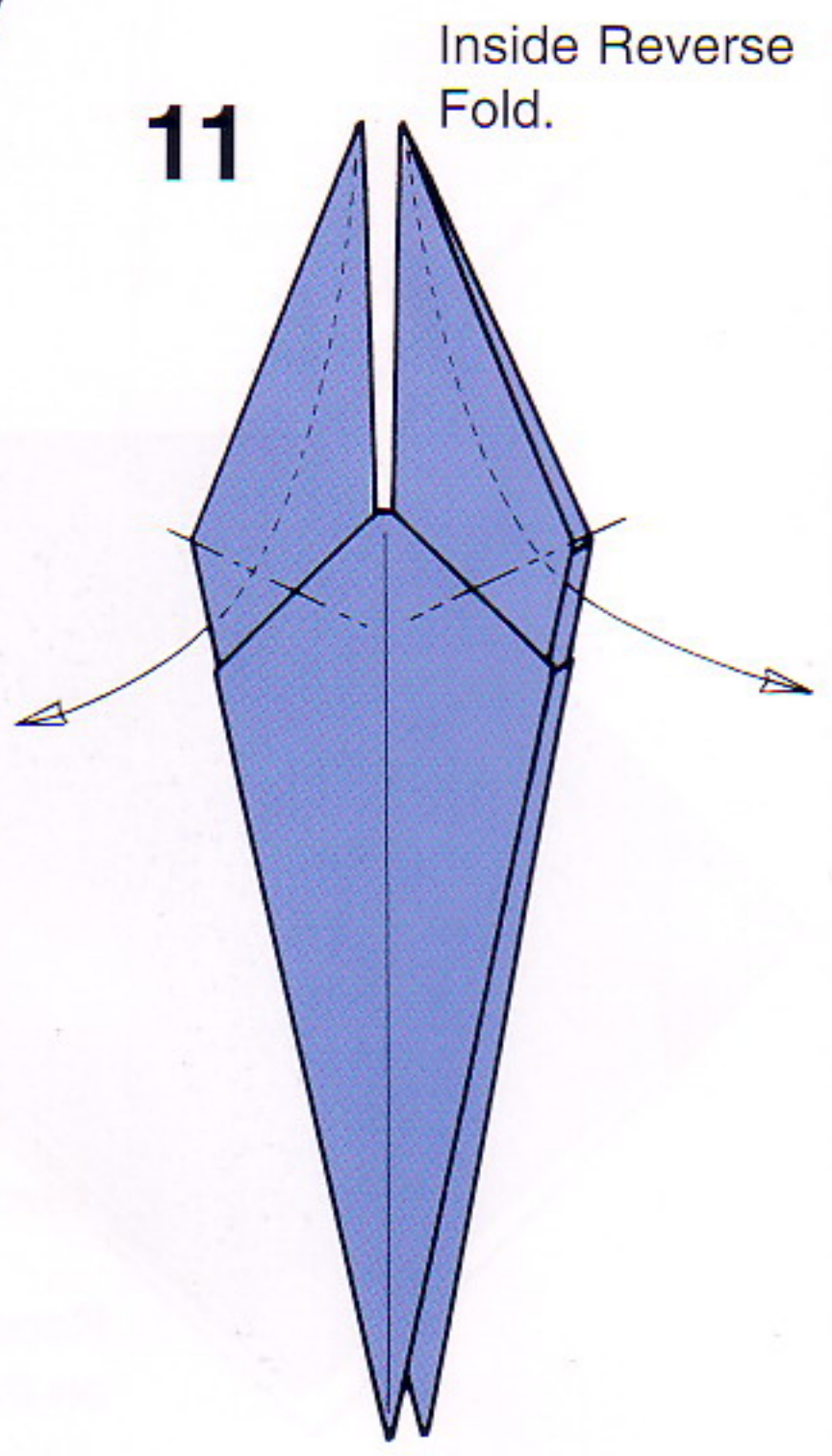
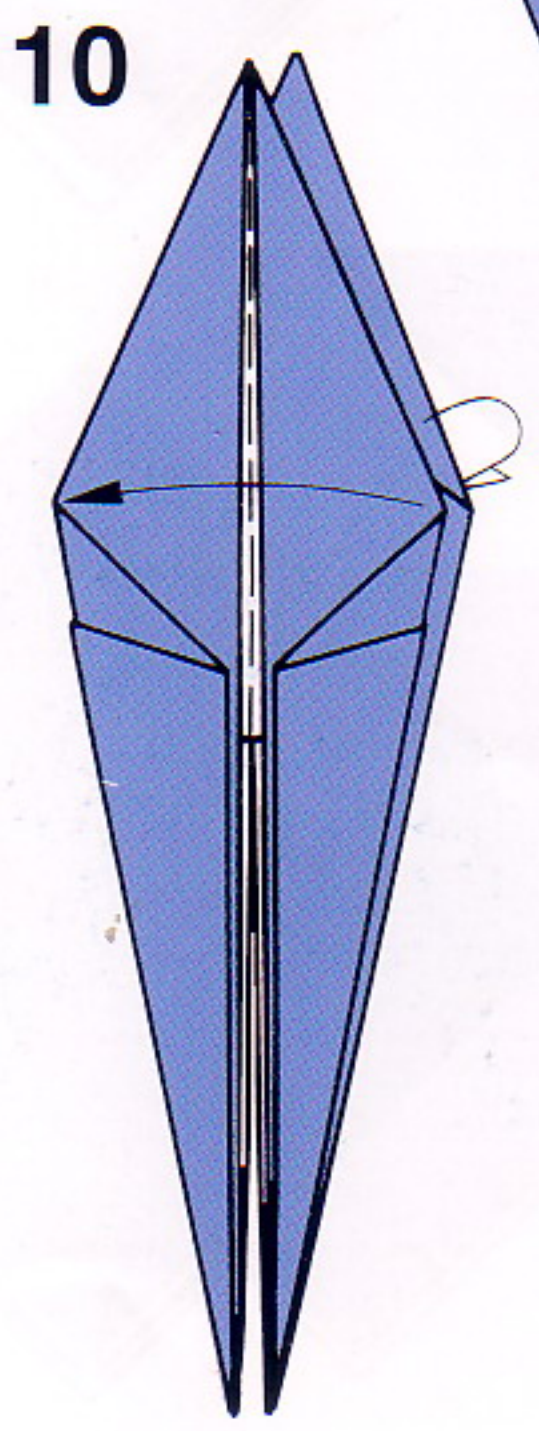
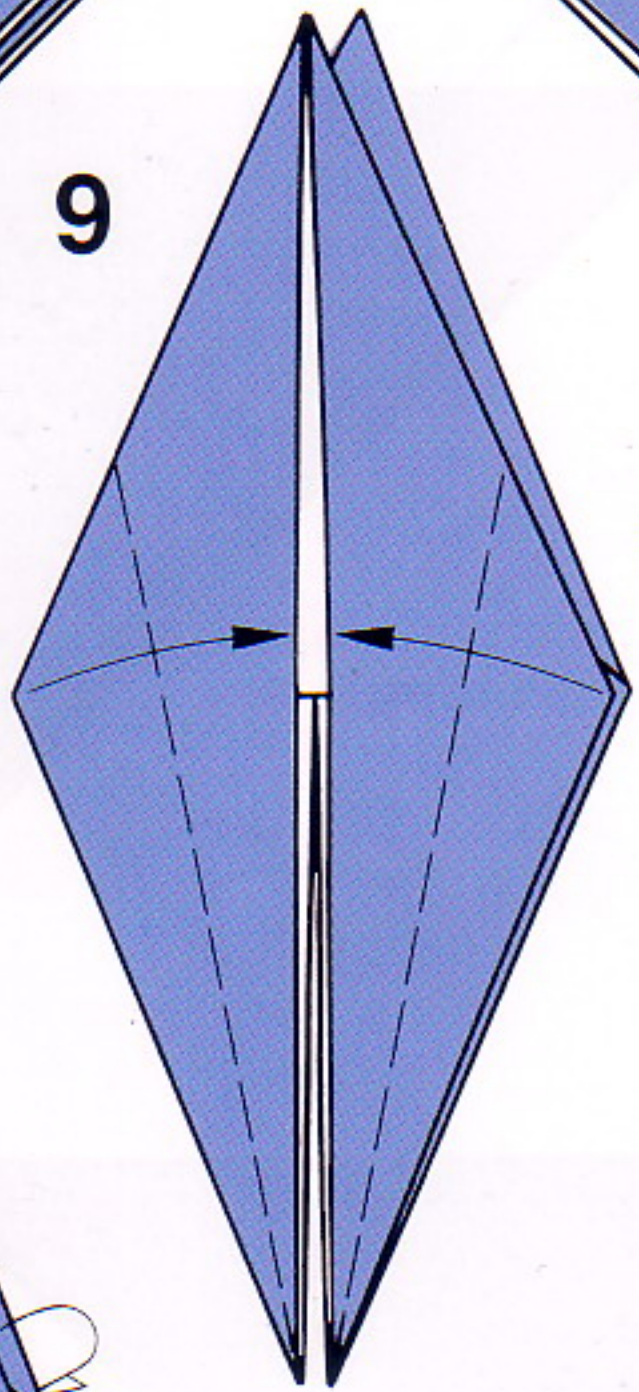
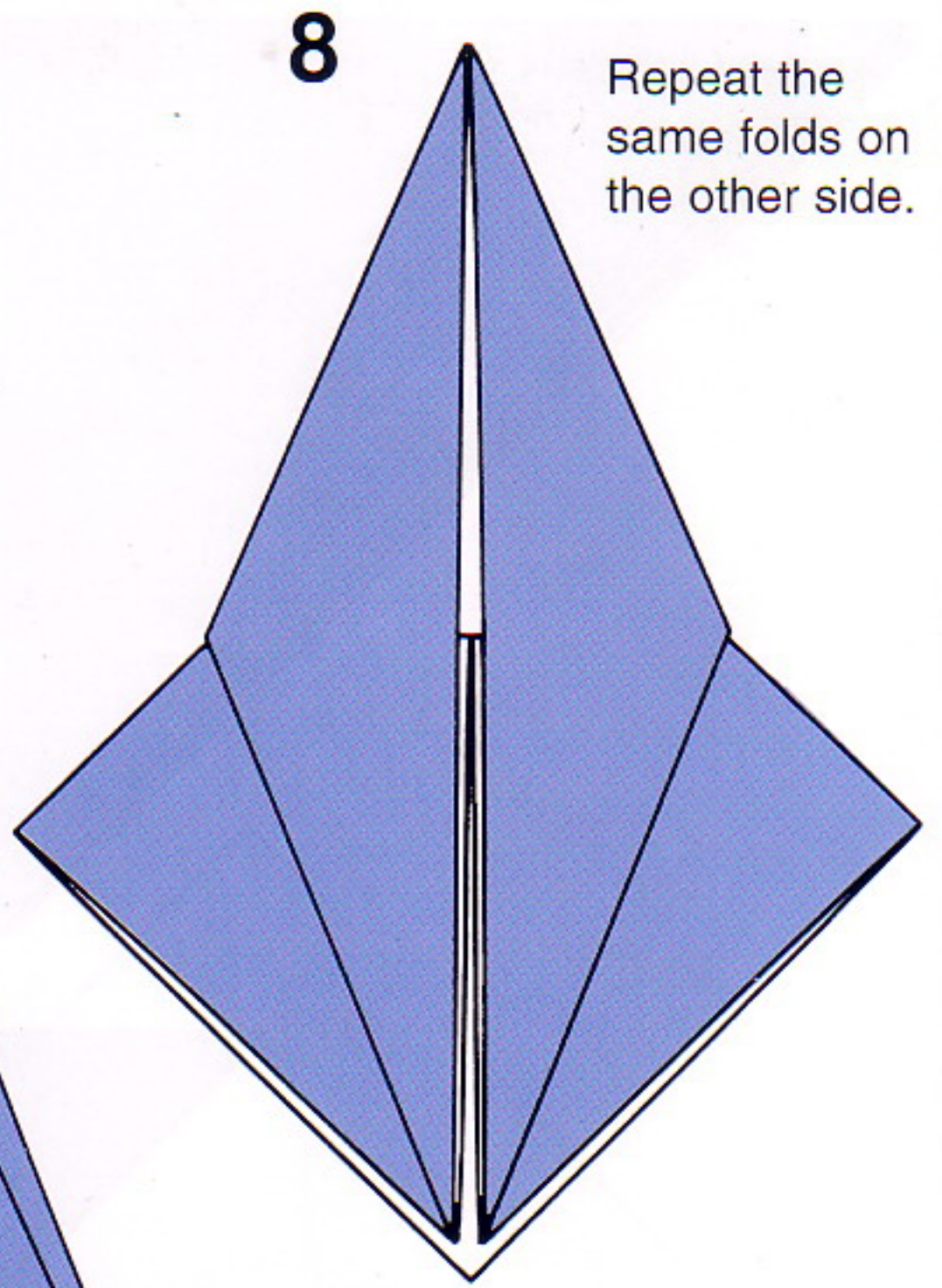
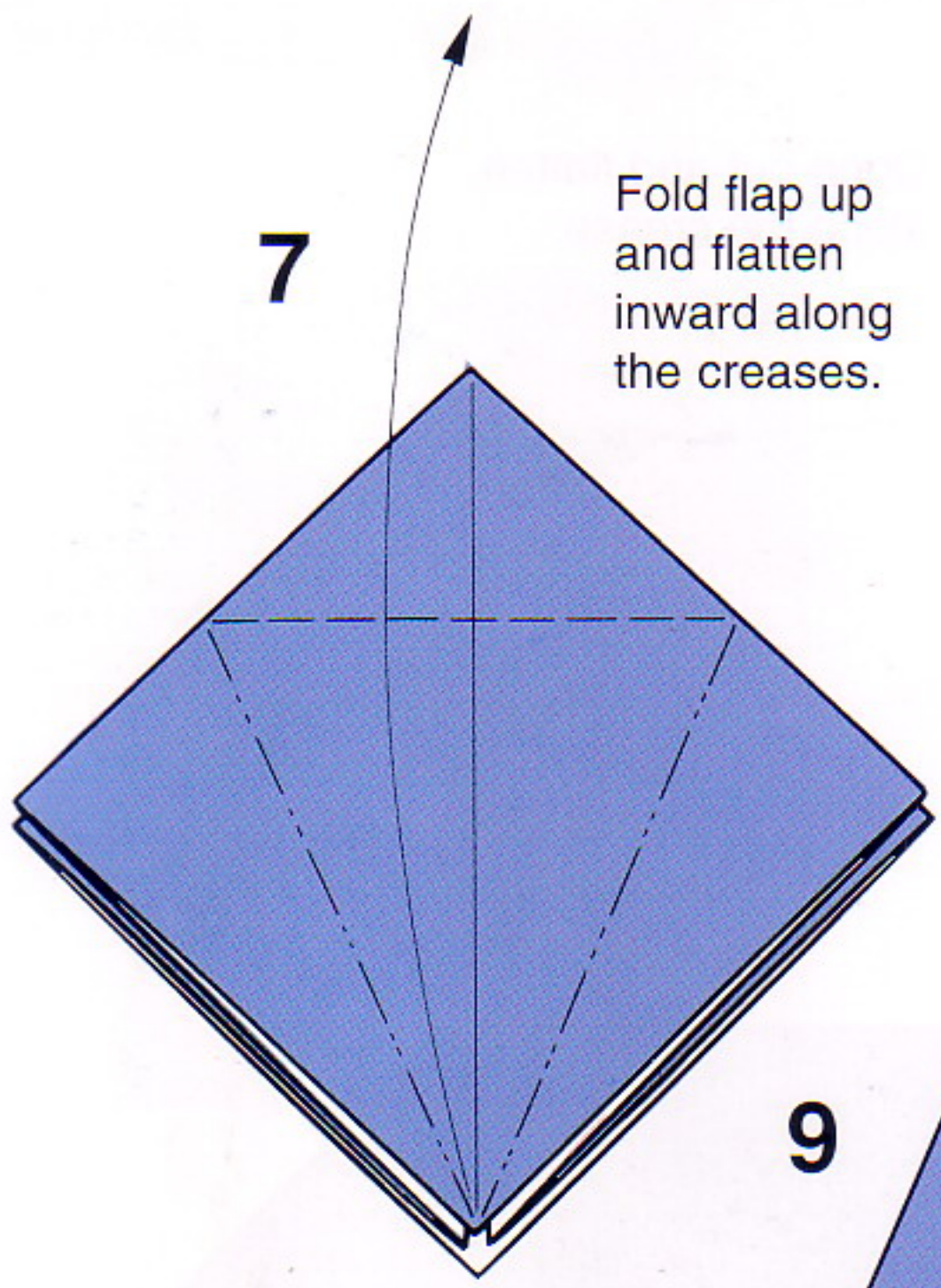


Repeat the same folds  
on the other side.

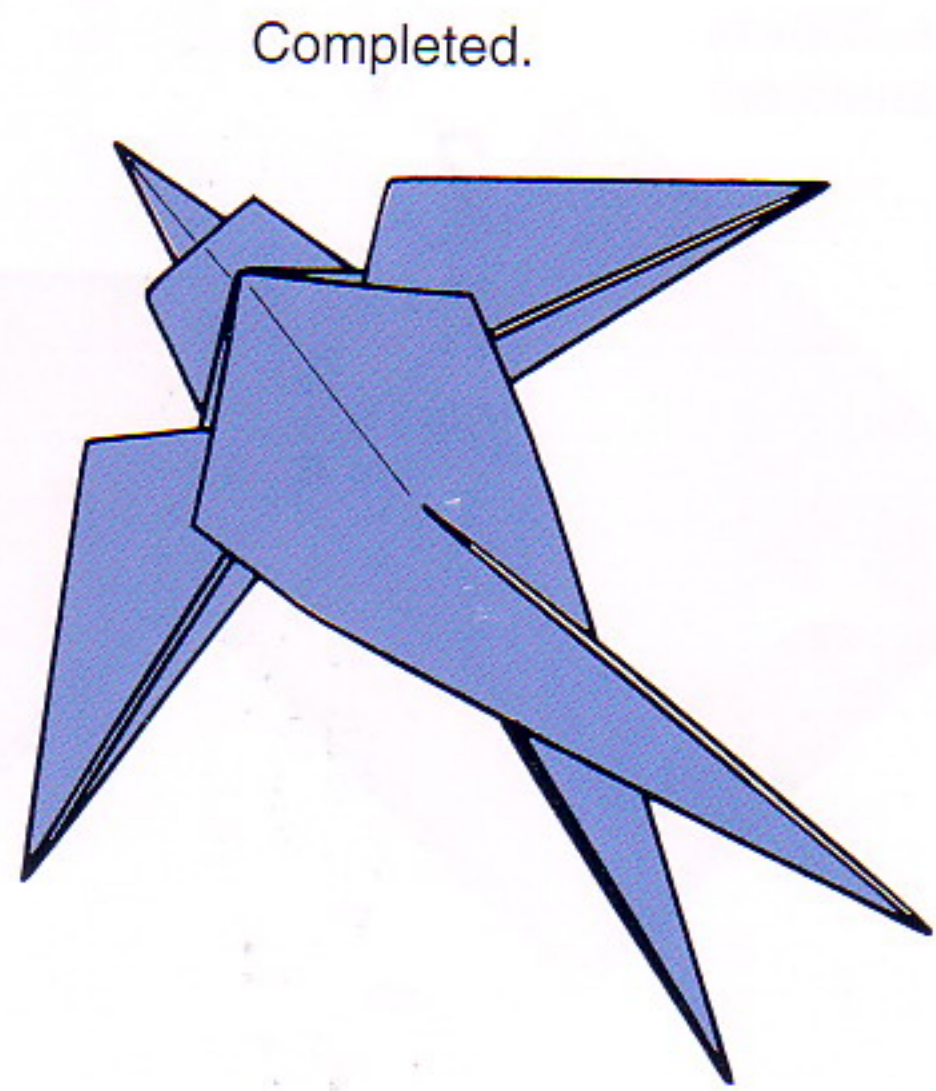
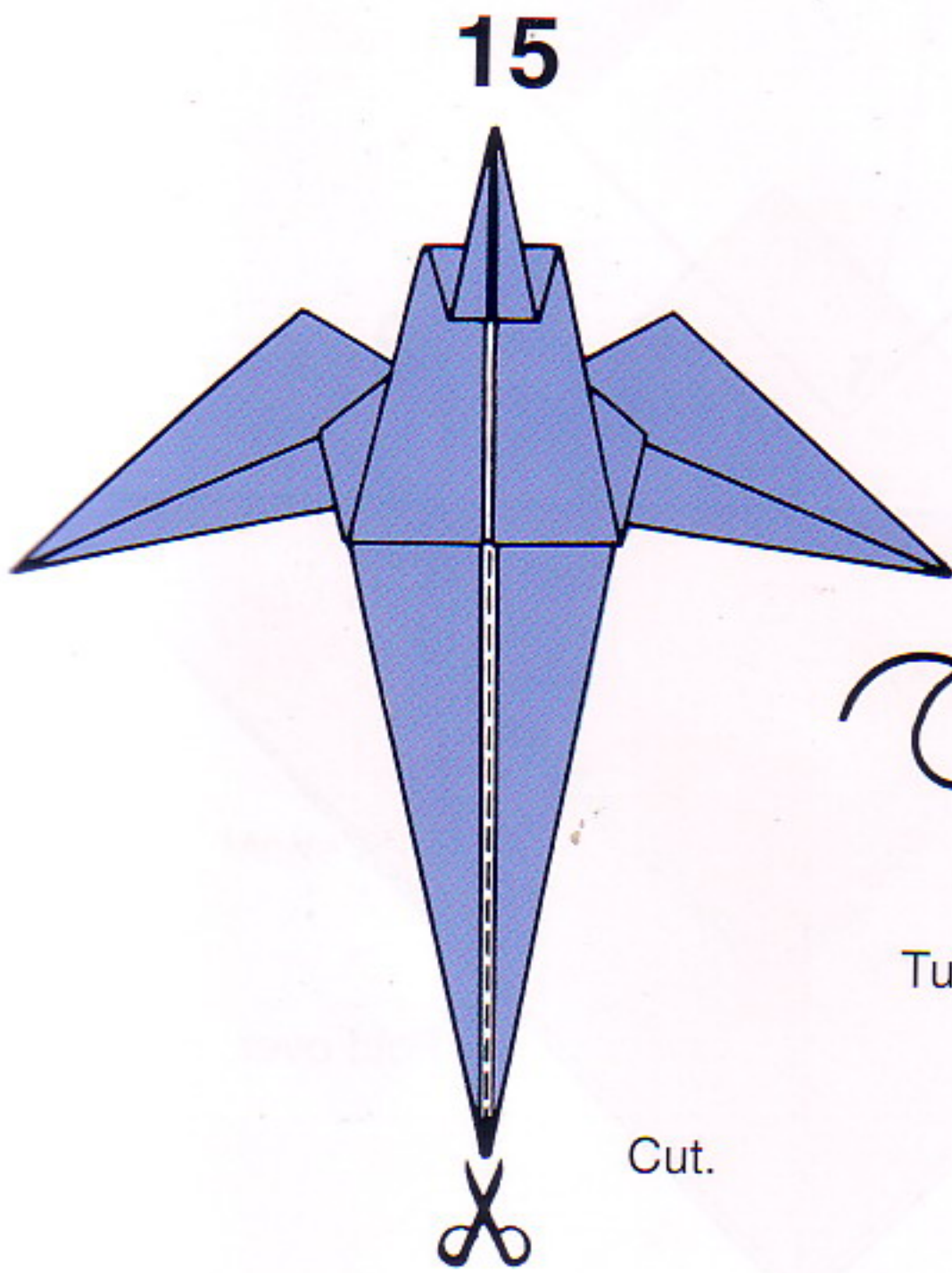
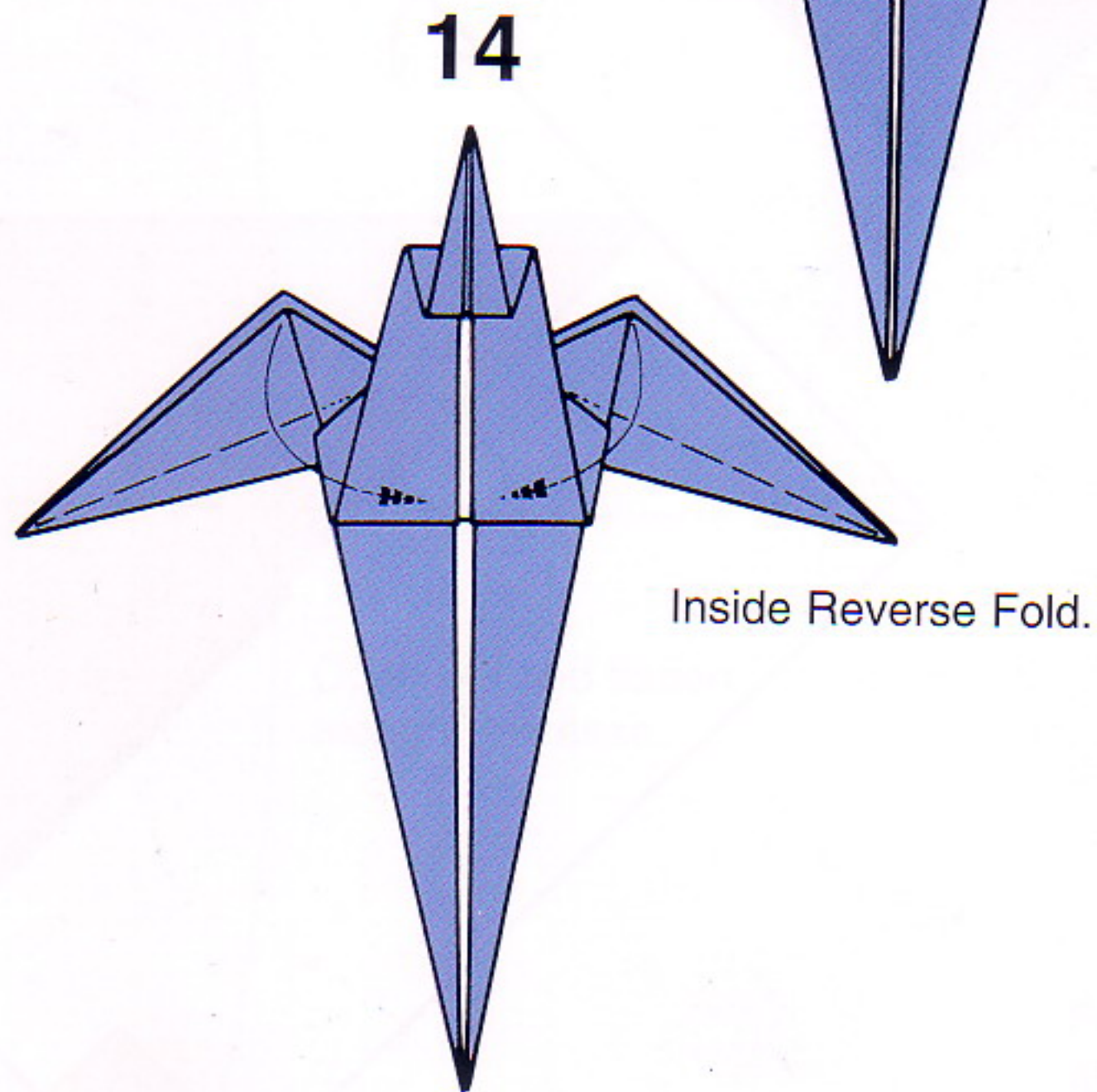
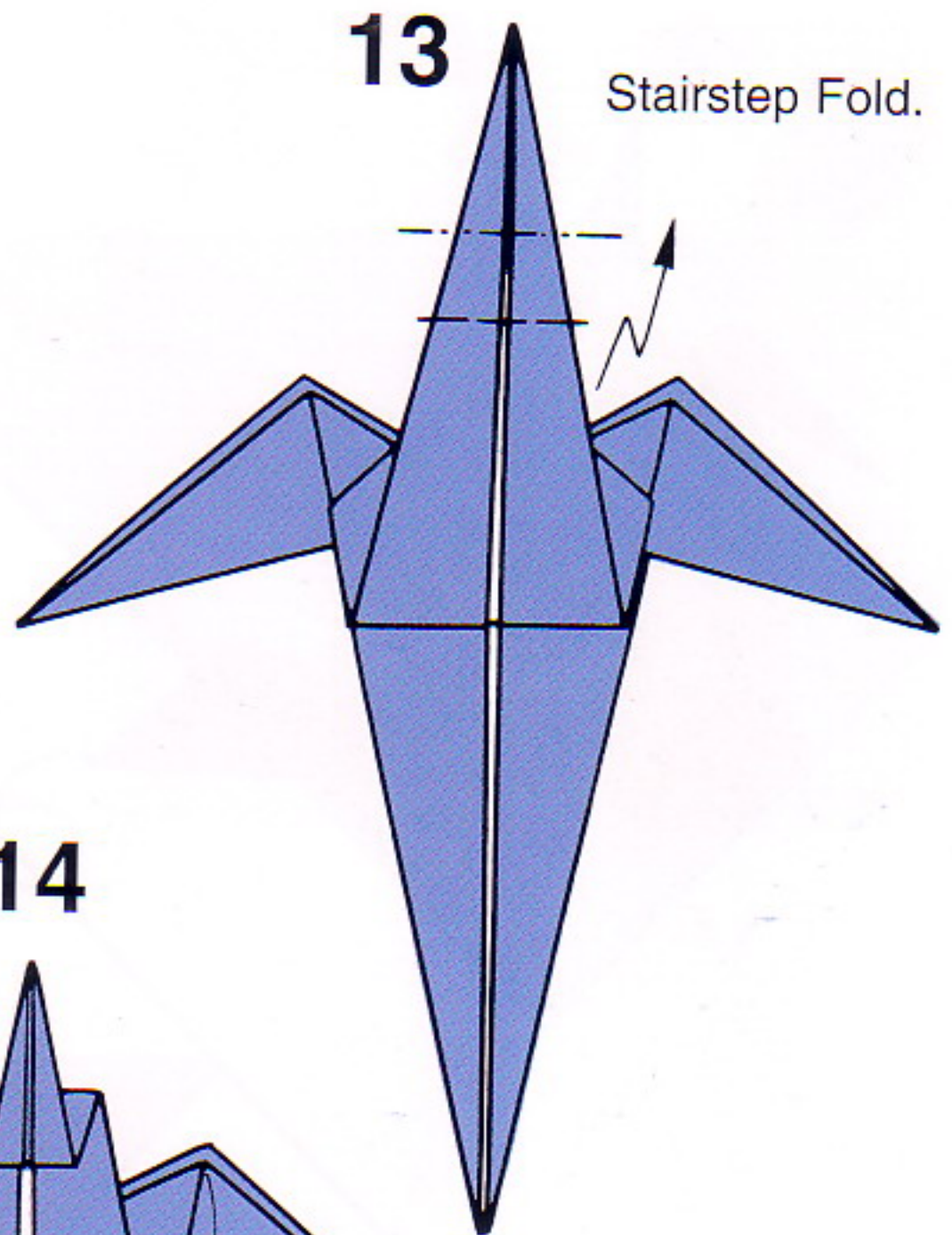
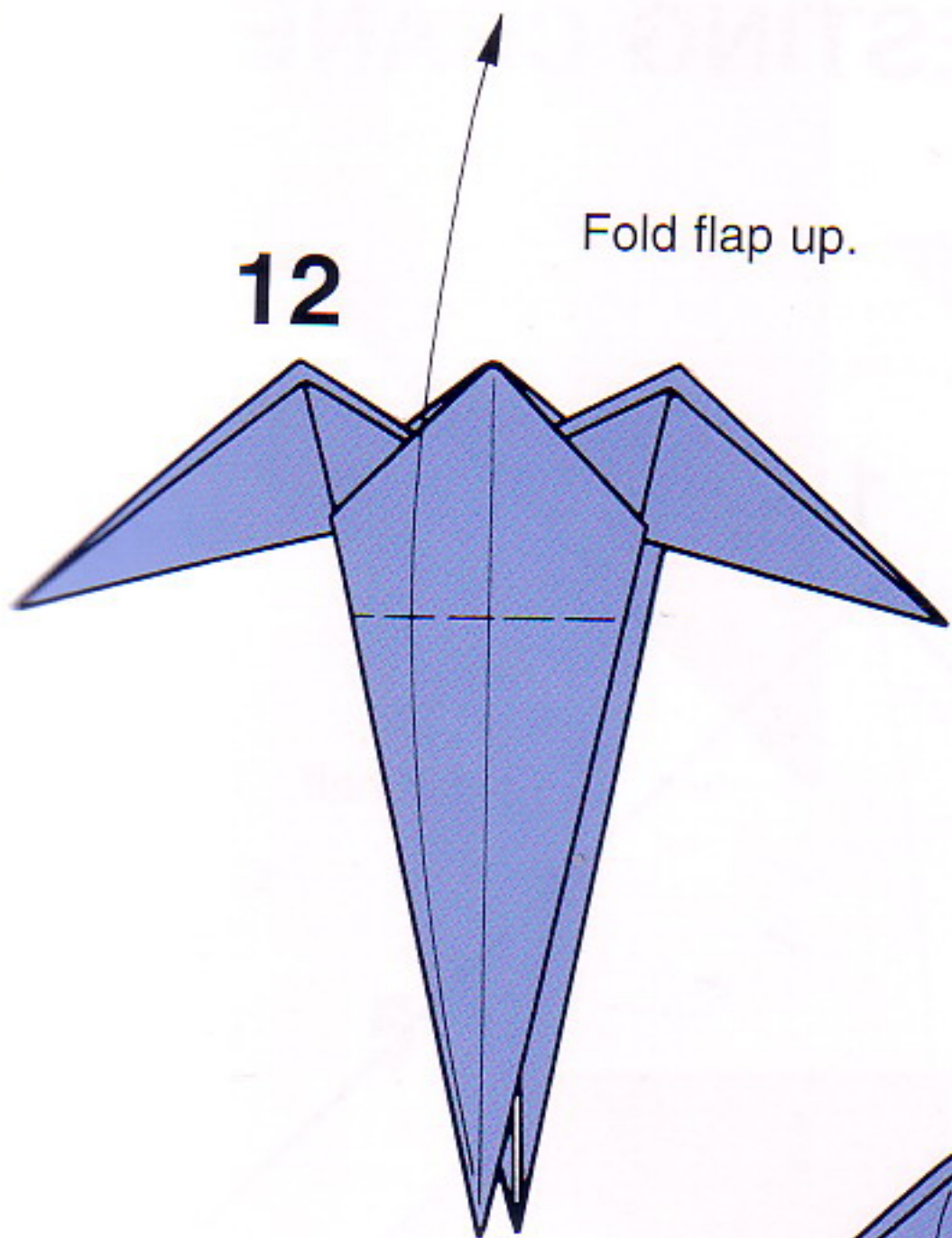


Make creases.



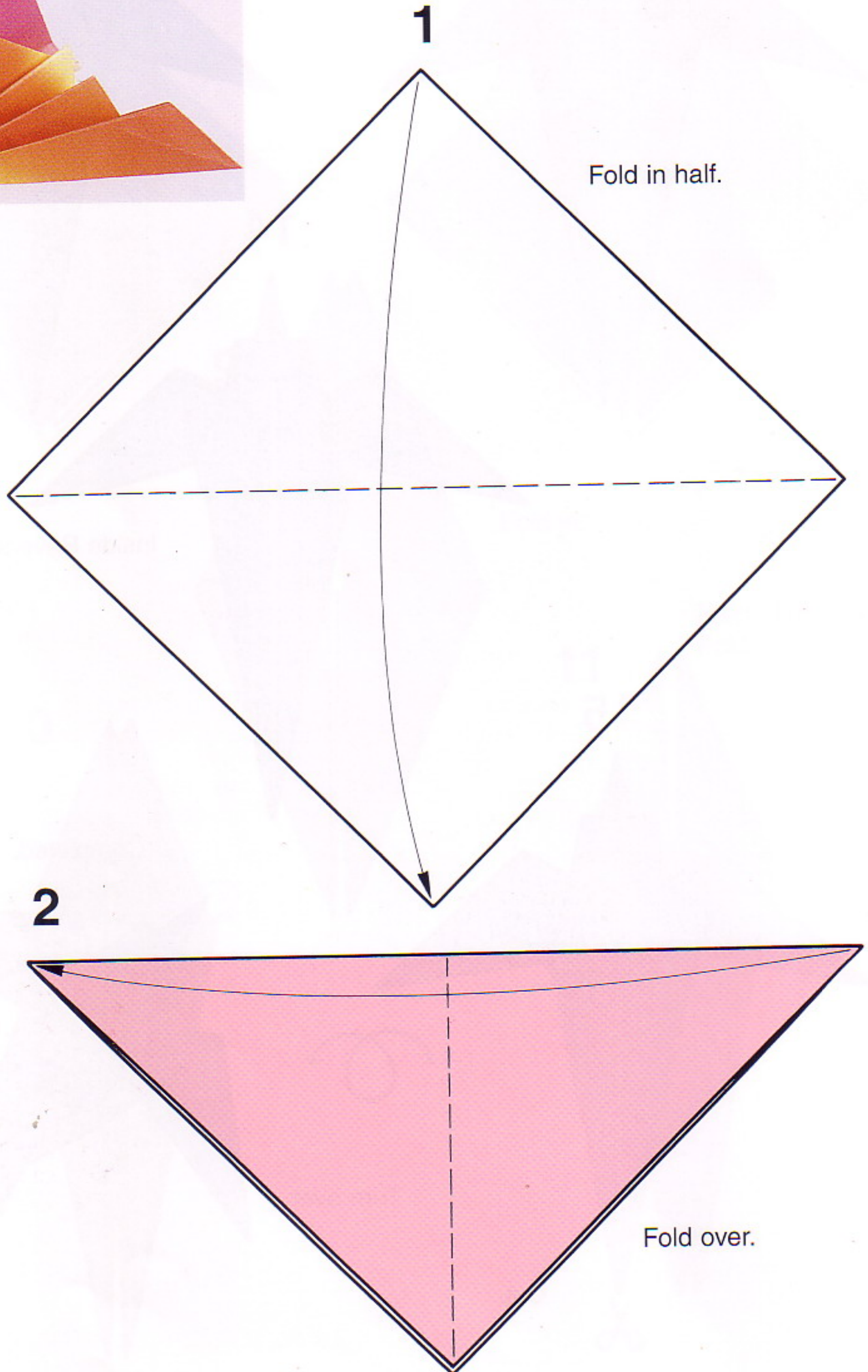
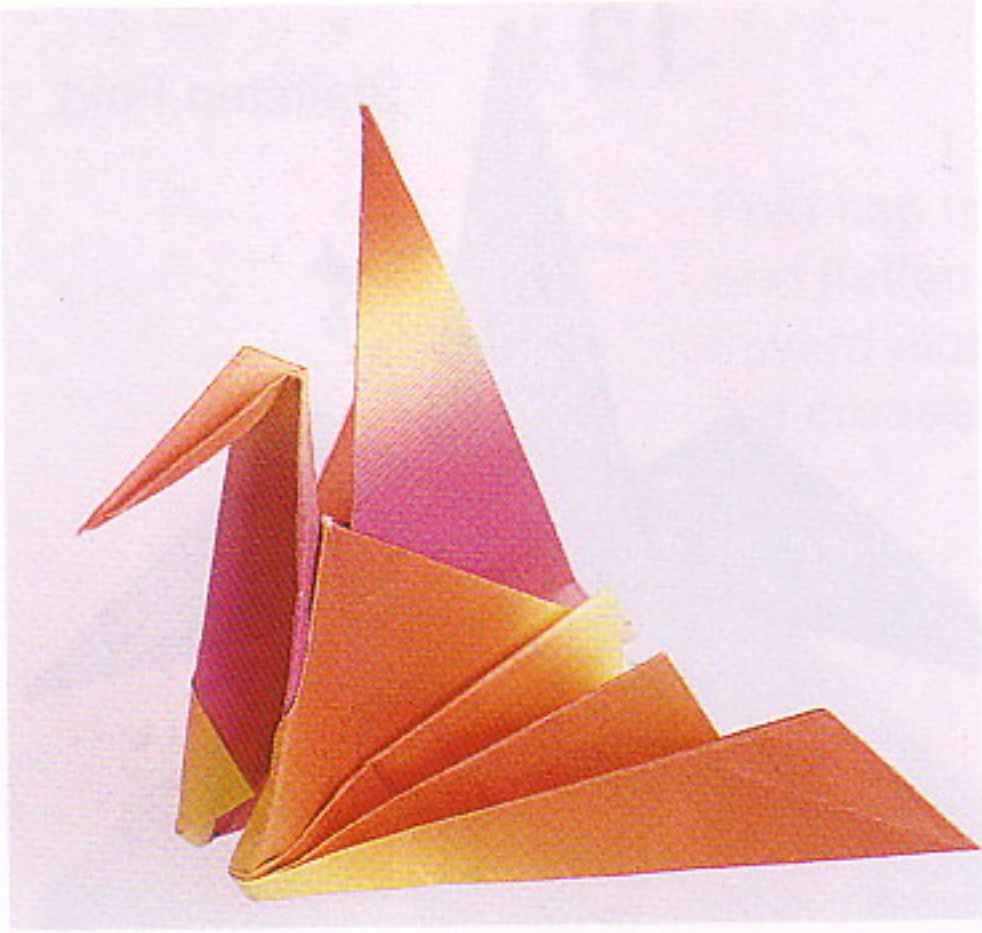






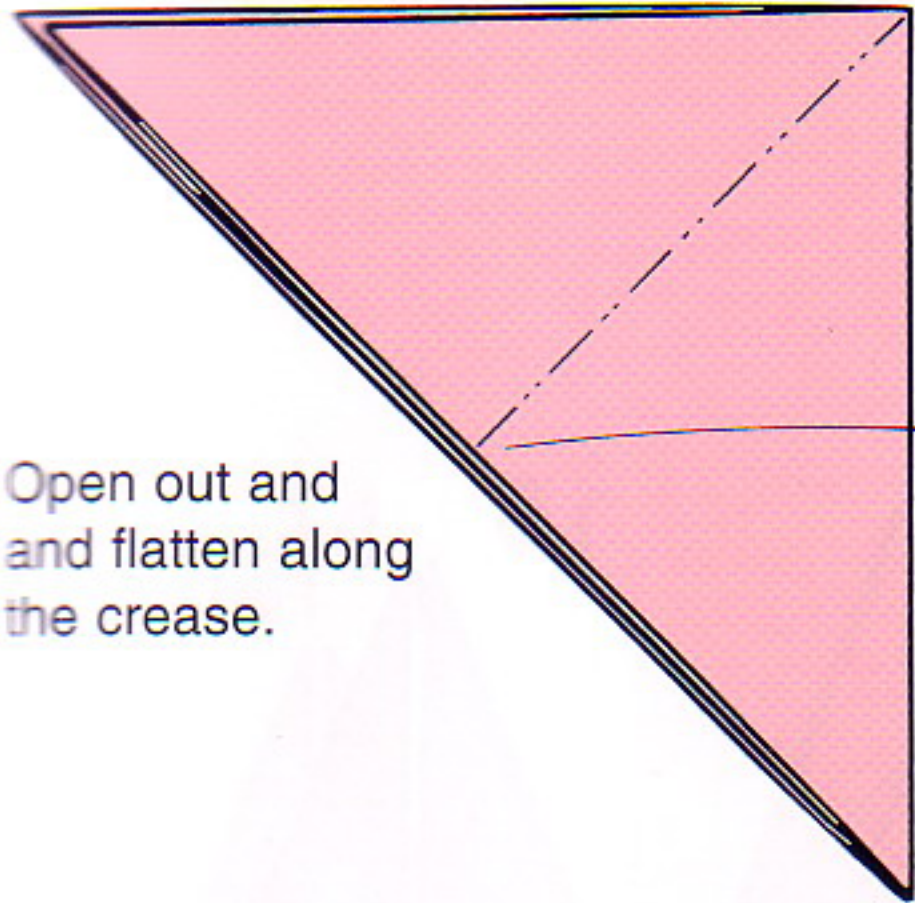


# NESTING CRANE



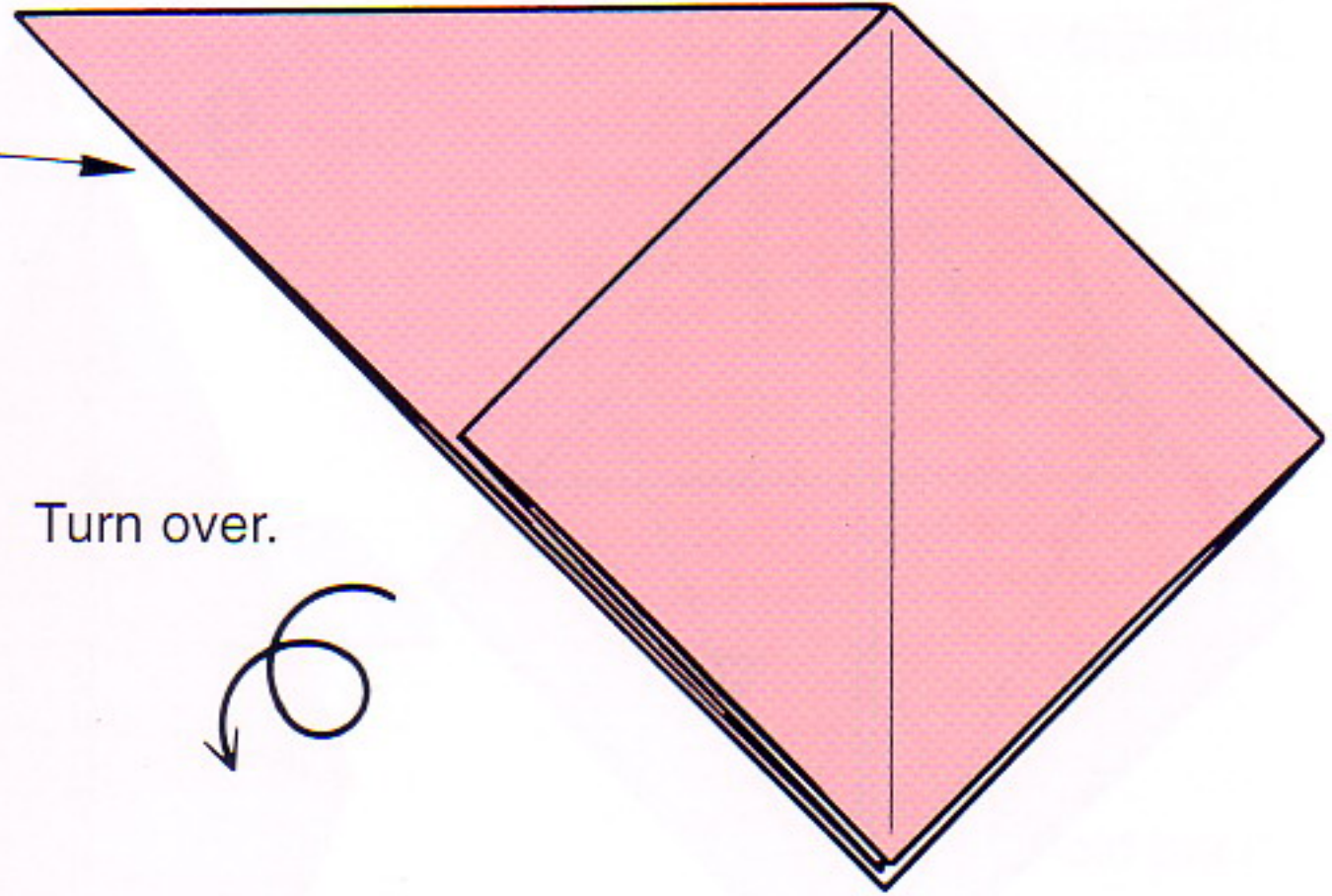


**3**



Open out and  
and flatten along  
the crease.

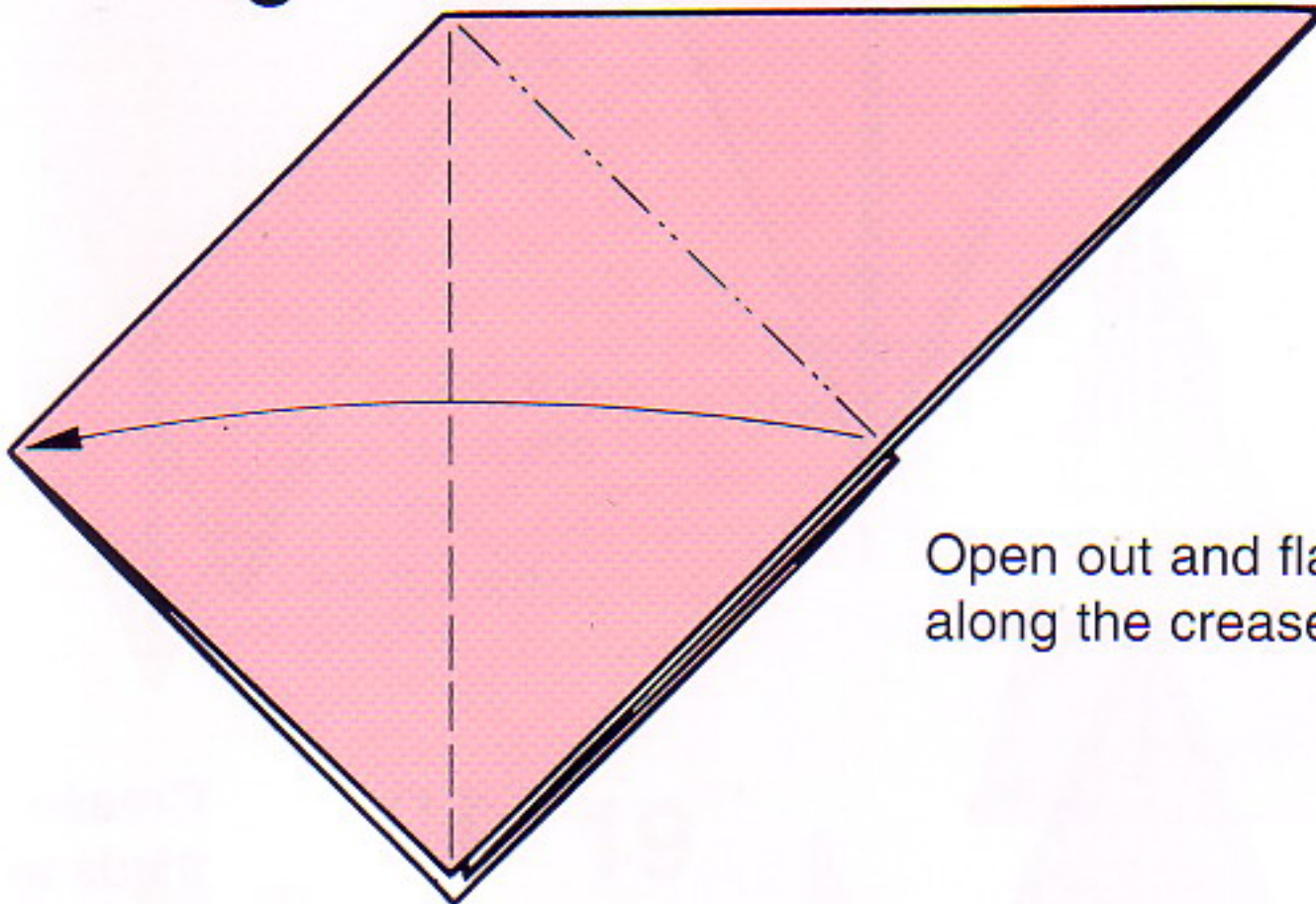
**4**



Turn over.

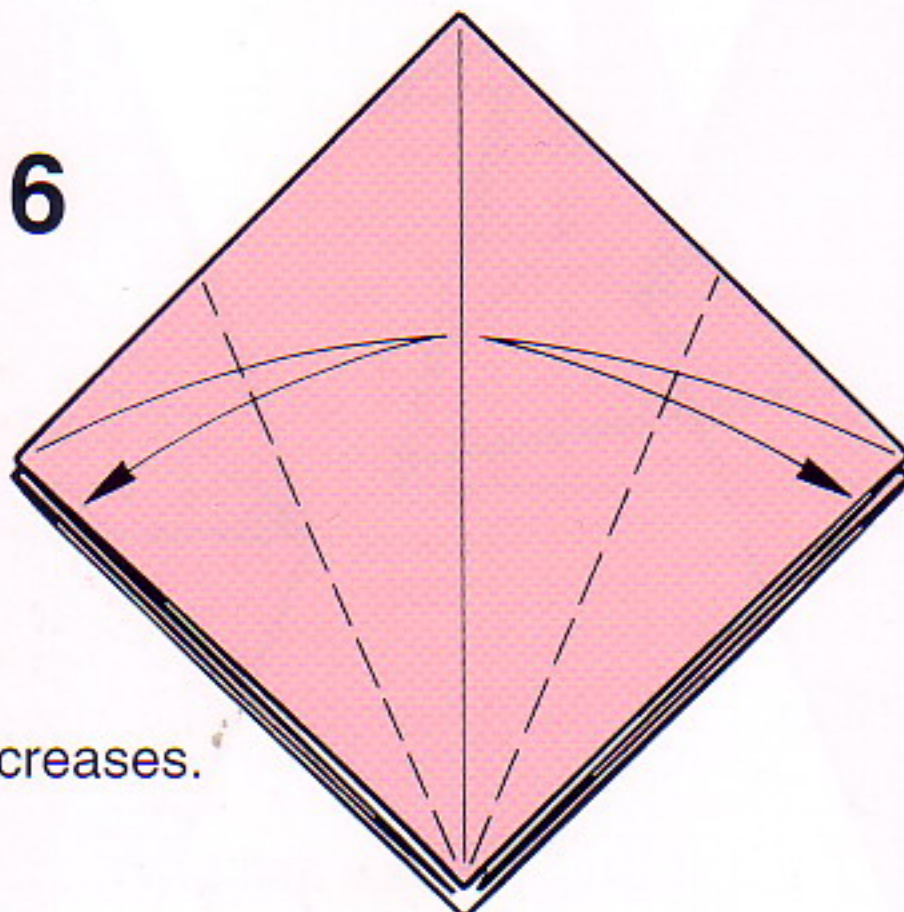


**5**



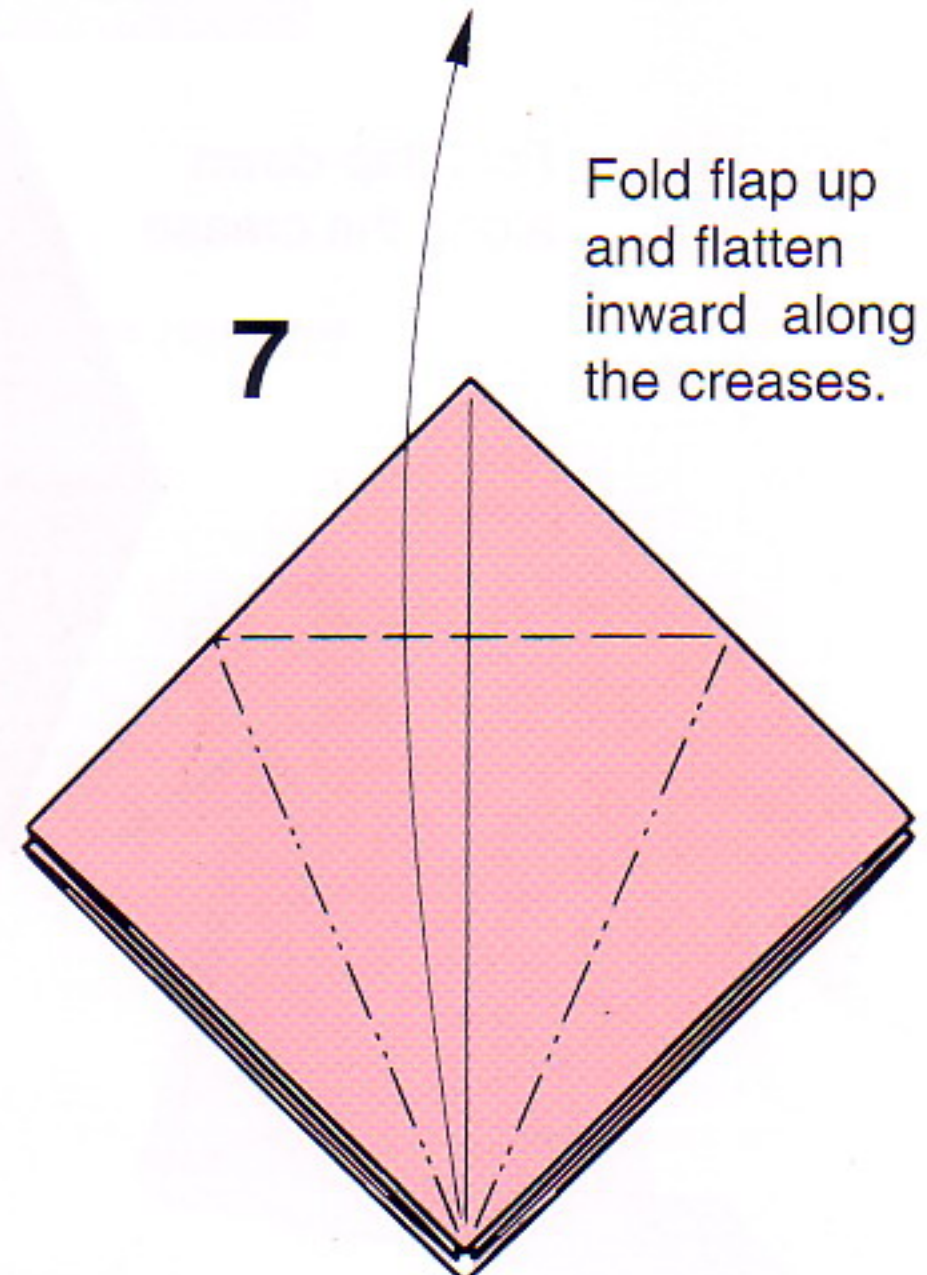
Open out and flatten  
along the crease.

**6**



Make creases.

**7**

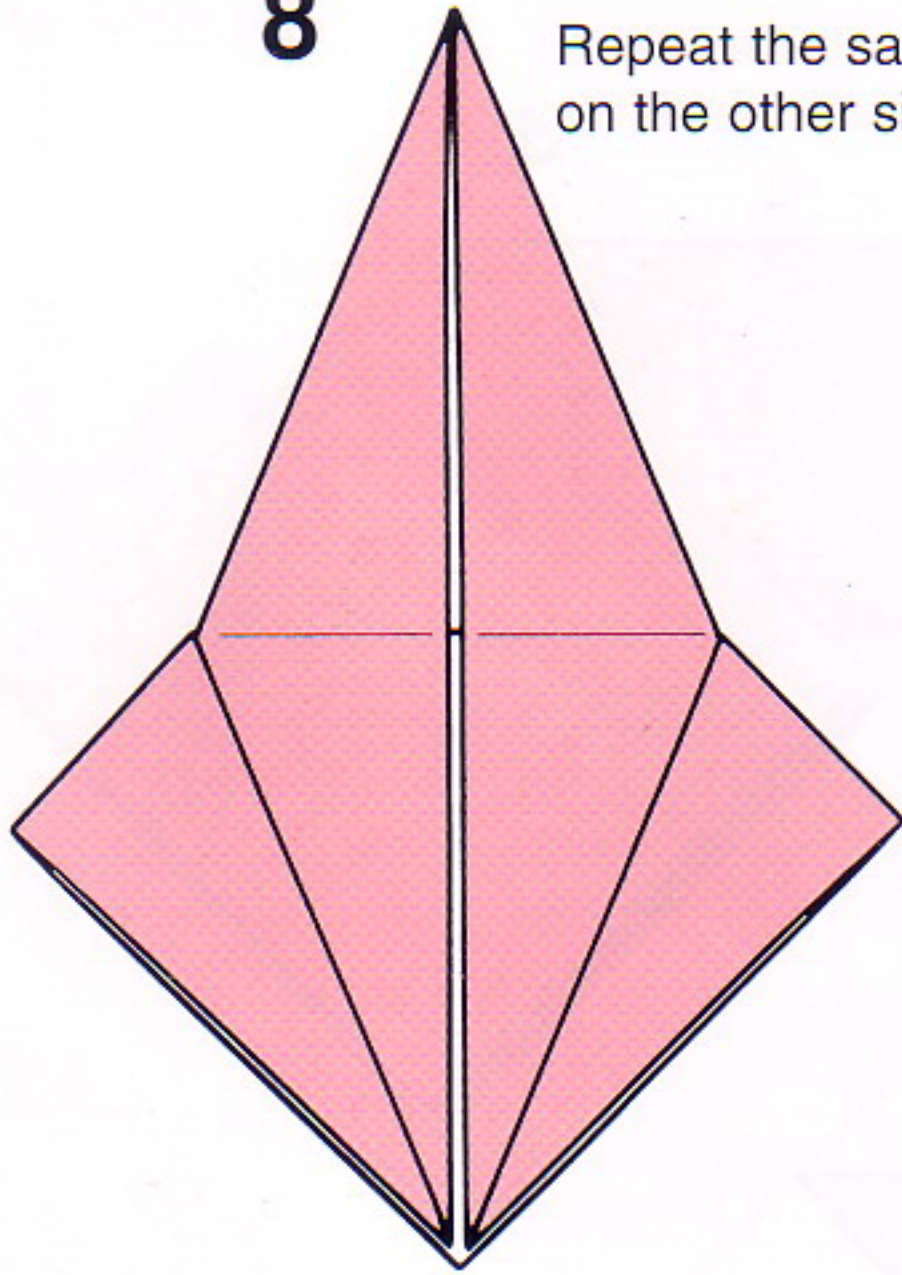


Fold flap up  
and flatten  
inward along  
the creases.

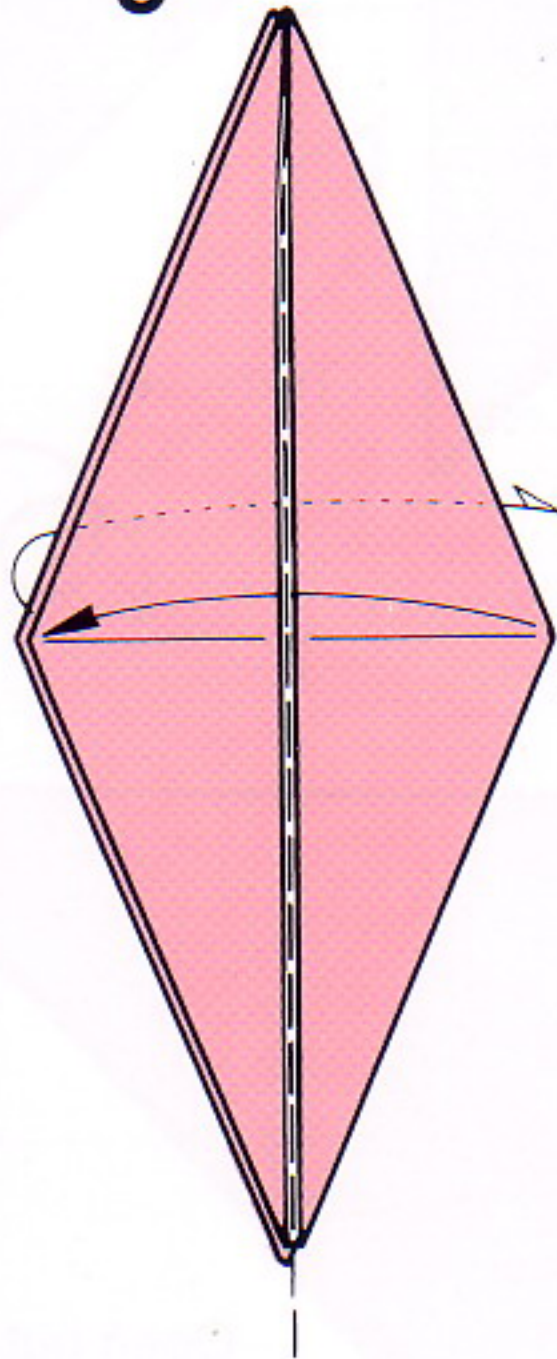


8

Repeat the same folds on the other side.

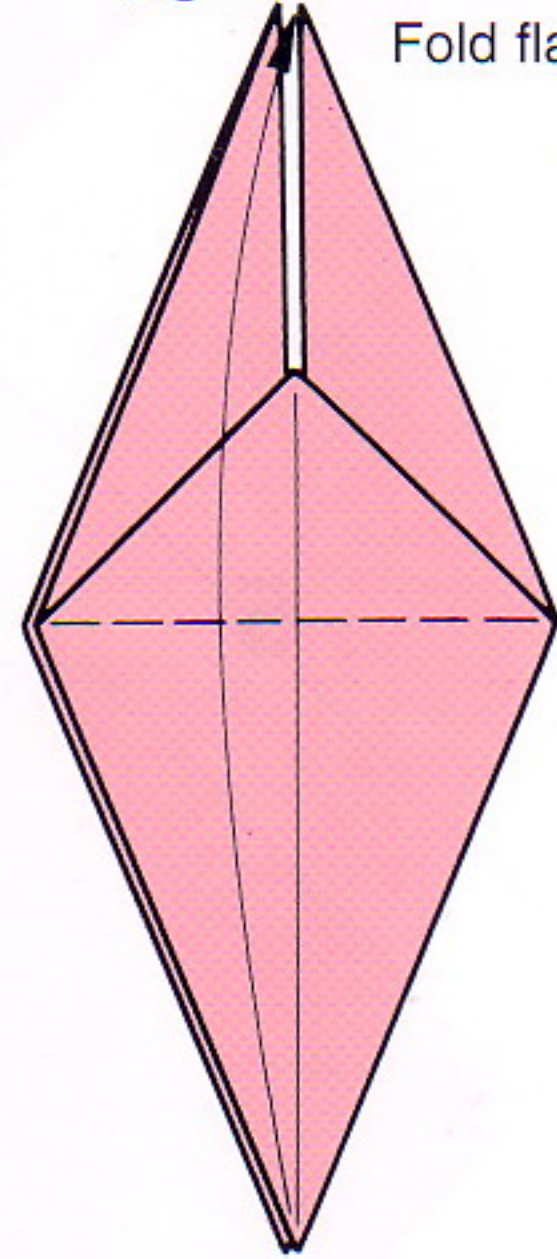


9



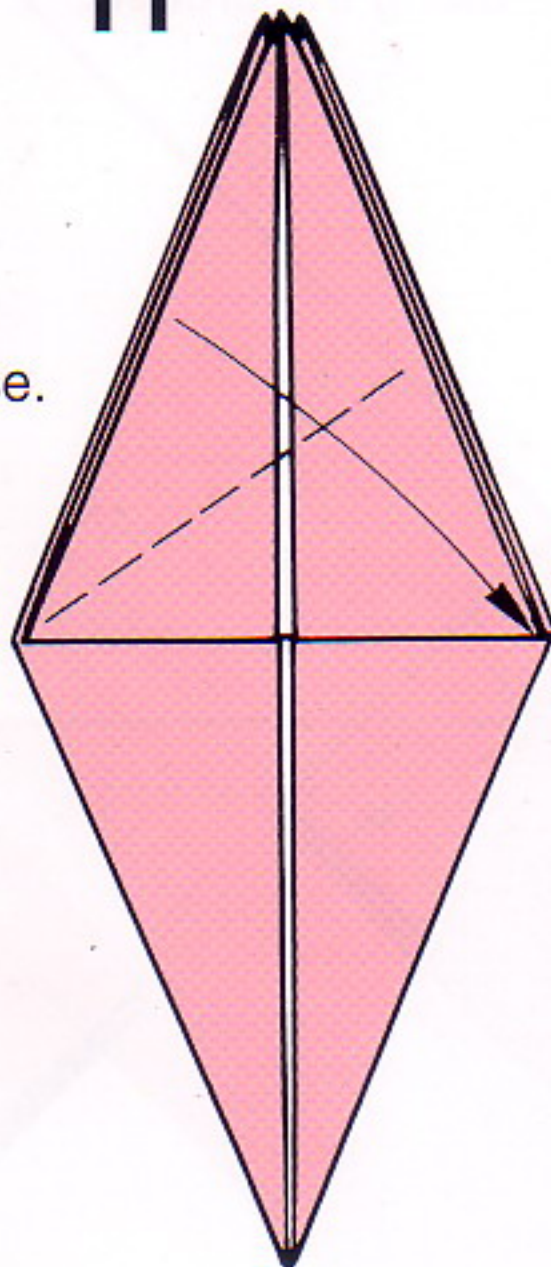
10

Fold flap up.



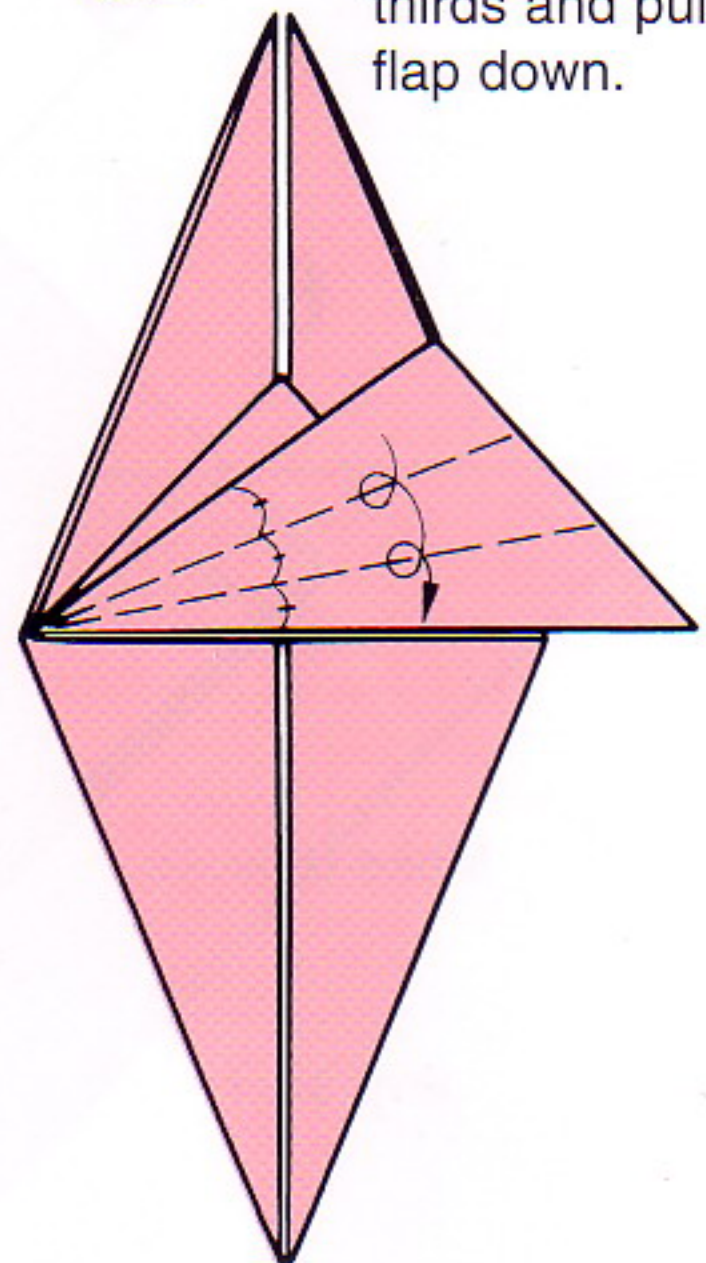
11

Fold flap down along the crease.



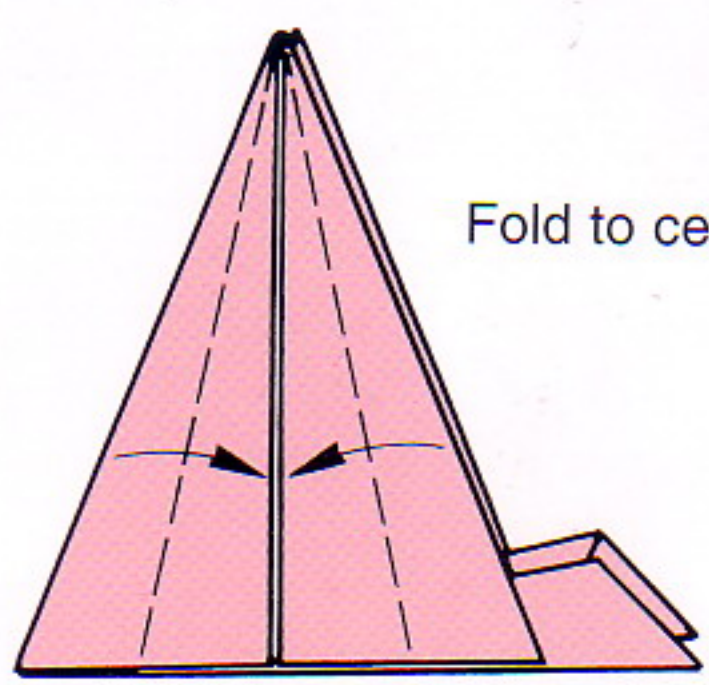
12

Crease in thirds and pull flap down.



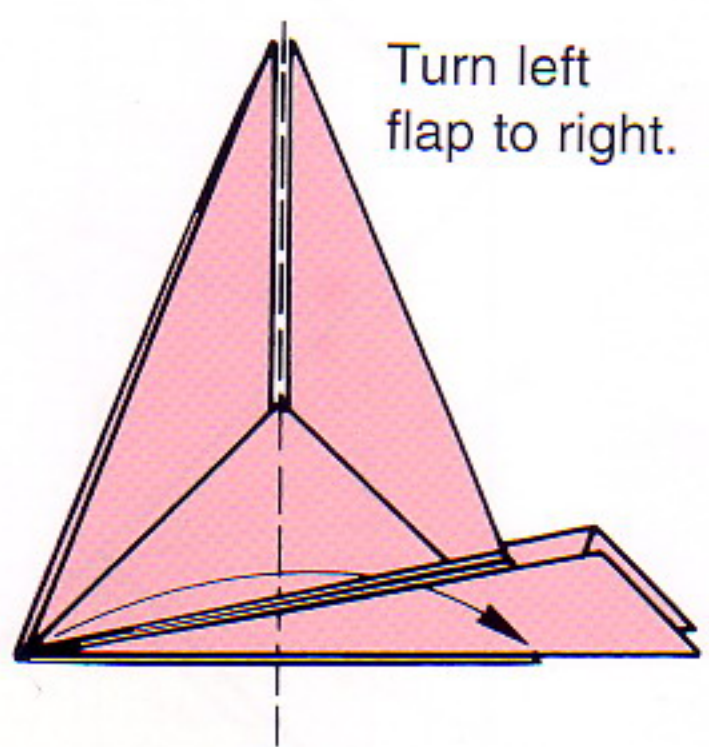


16



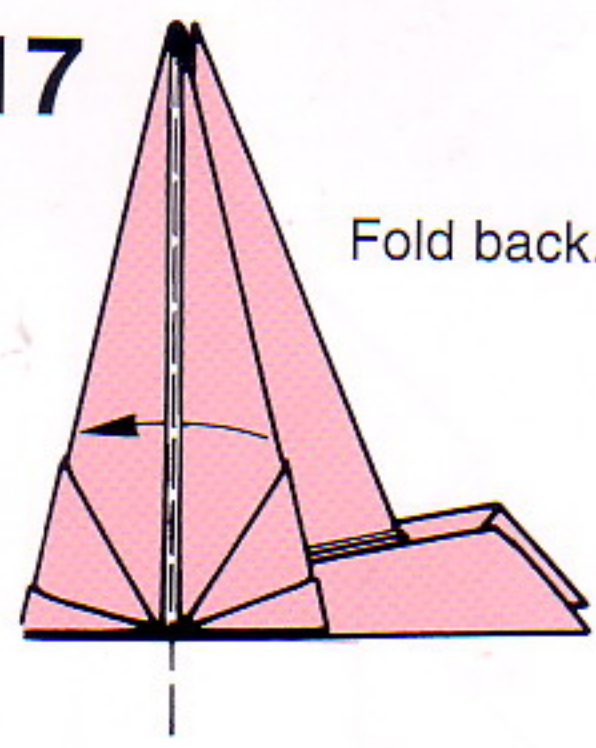
Fold to center.

15



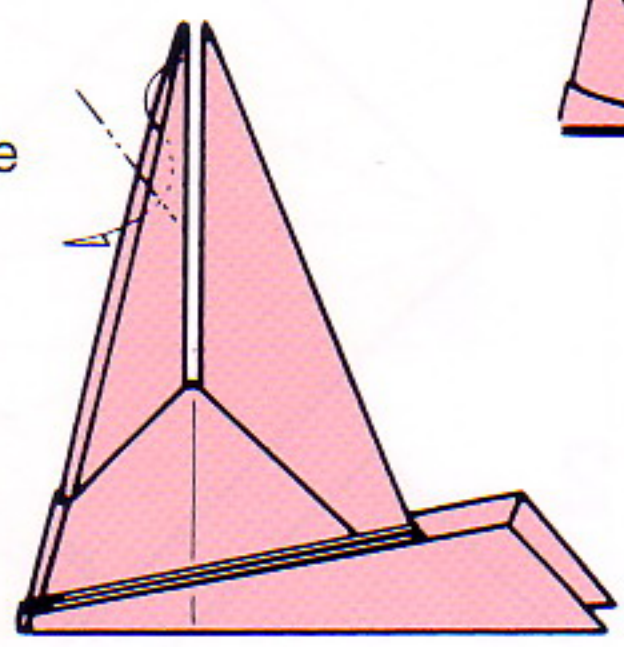
Turn left flap to right.

17



Fold back.

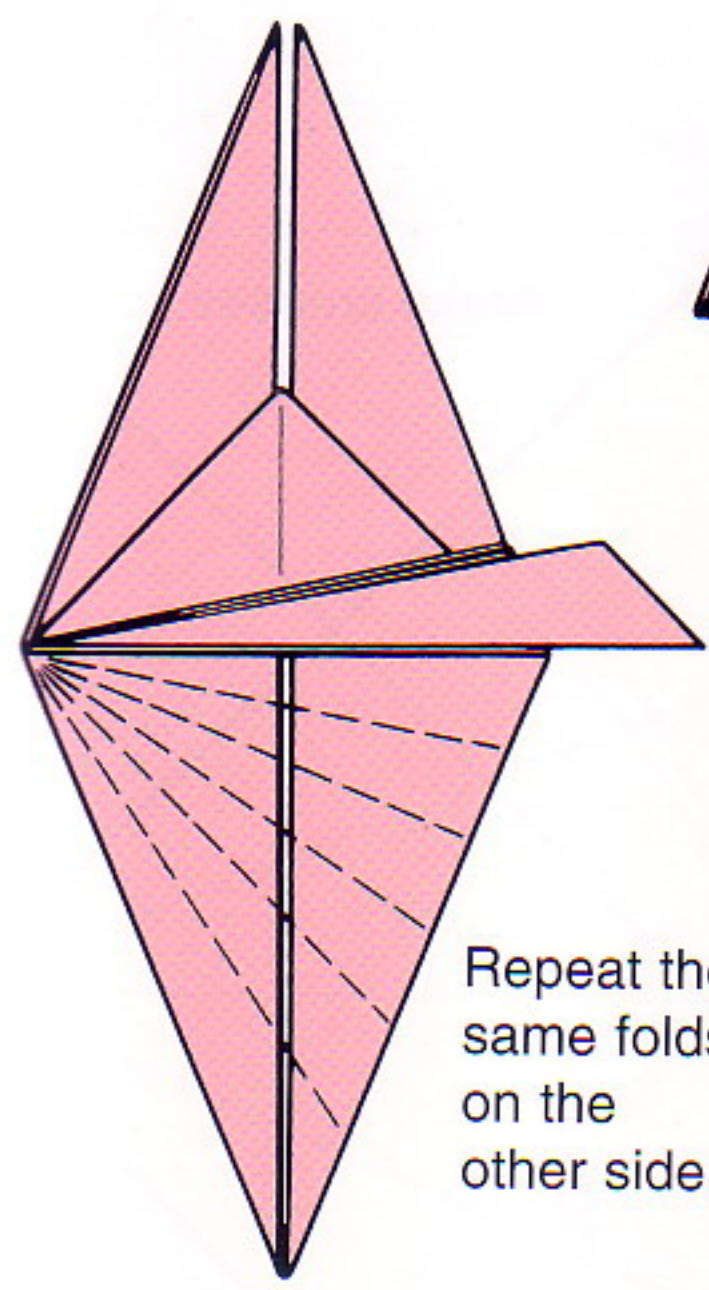
18



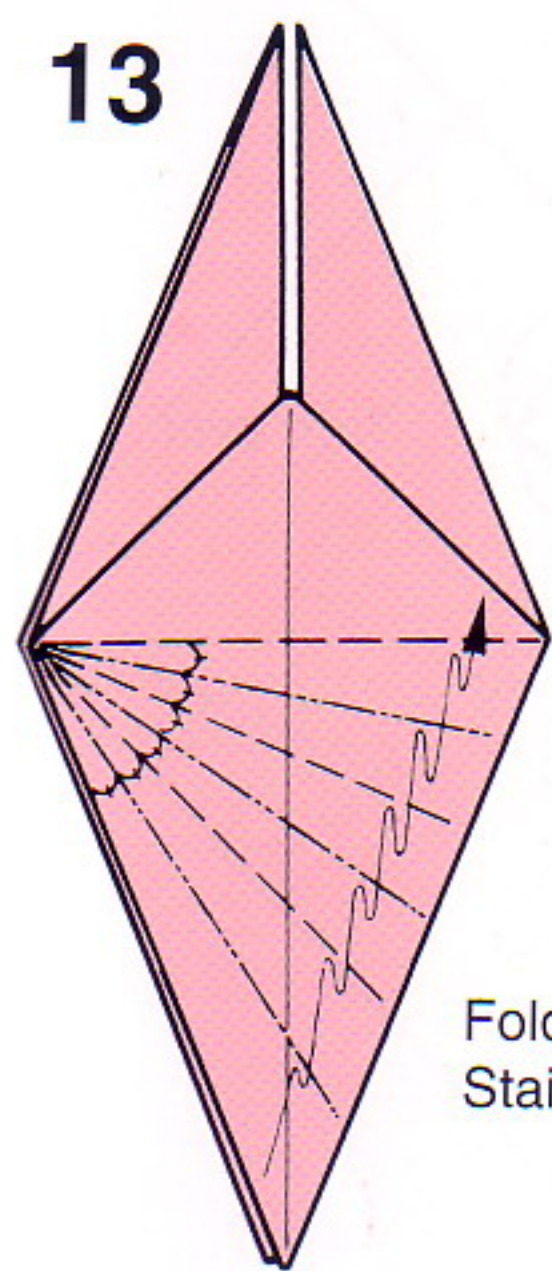
Inside Reverse Fold.

Repeat the same folds on the other side.

14

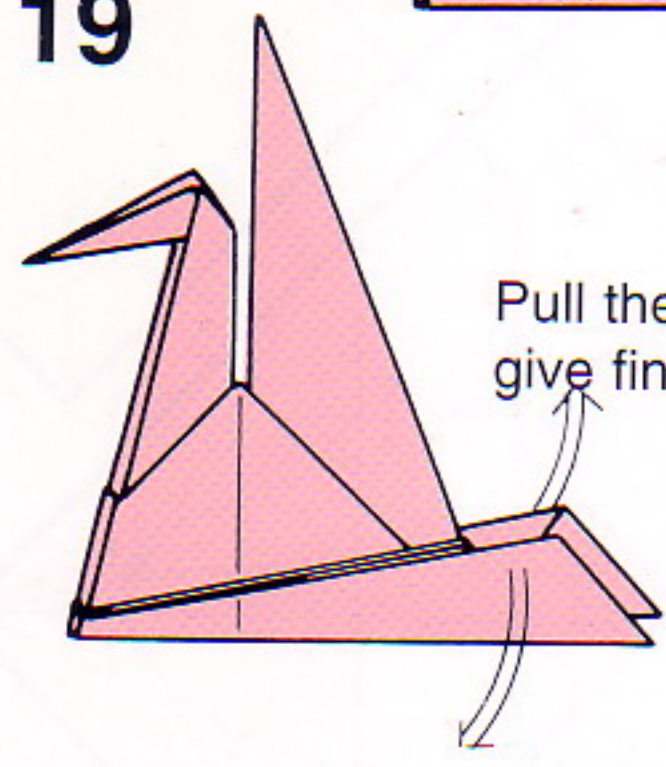


13



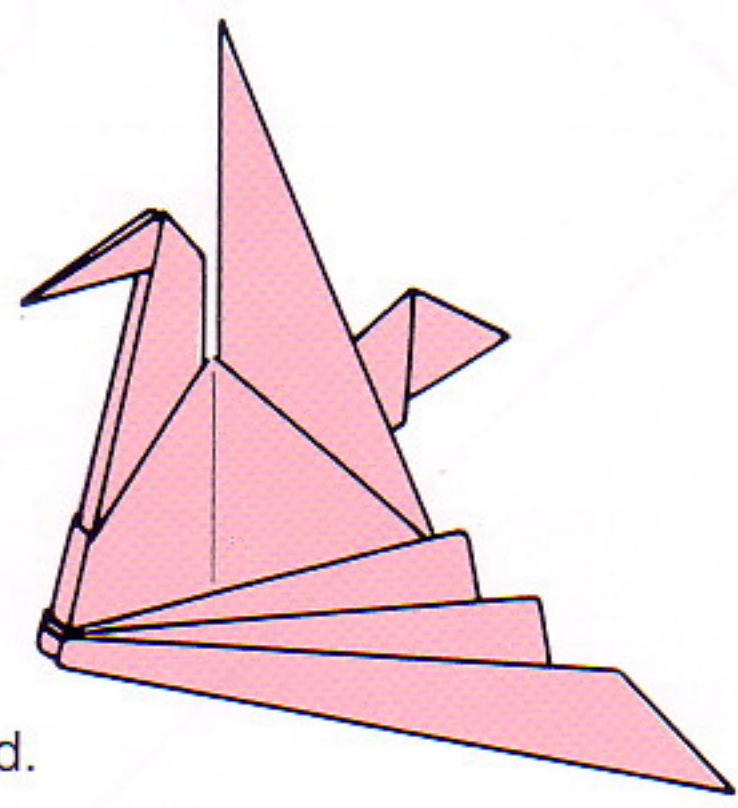
Fold flap up in Stairstep Fold.

19



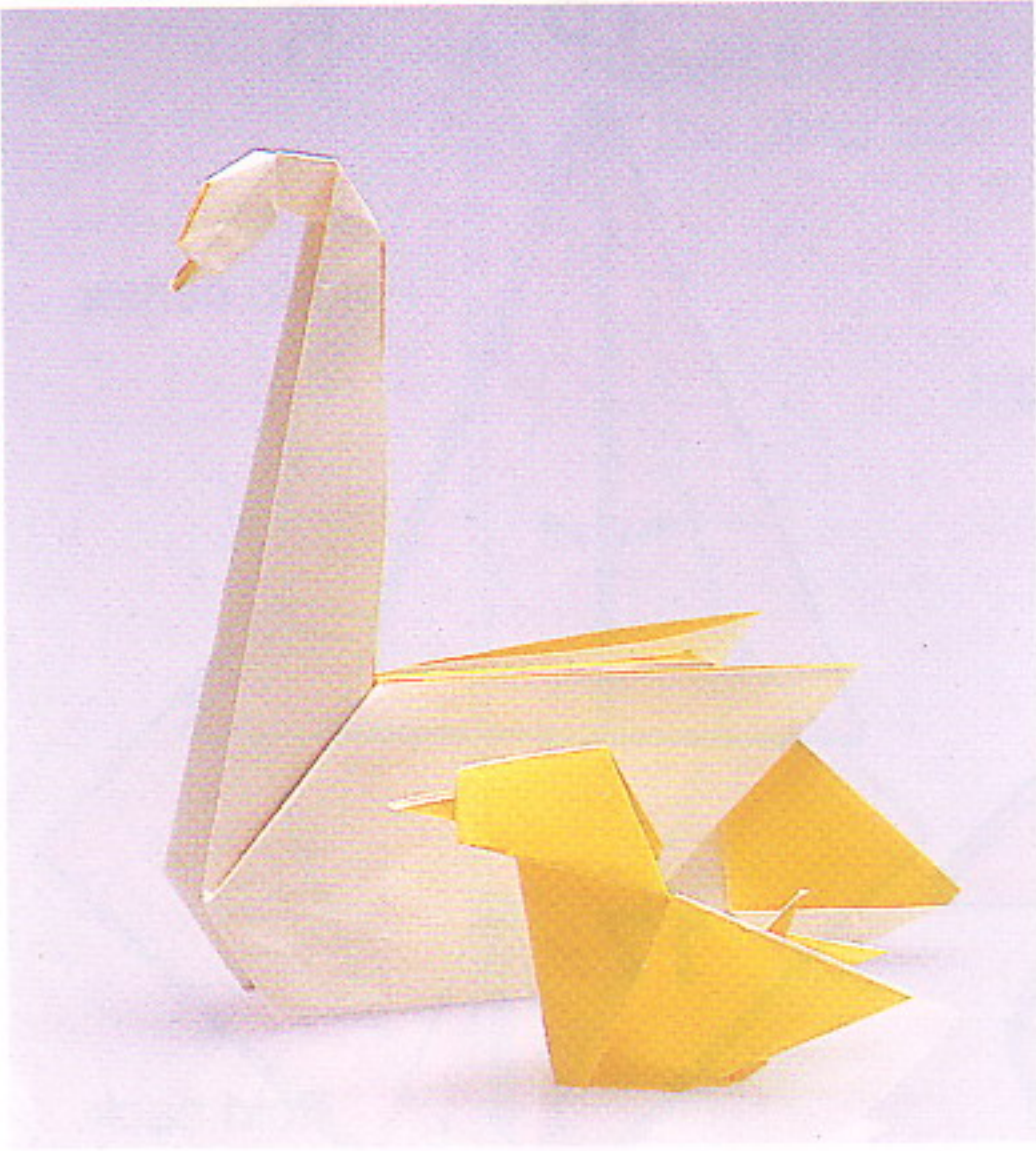
Pull the wings out and give final shape.

Completed.



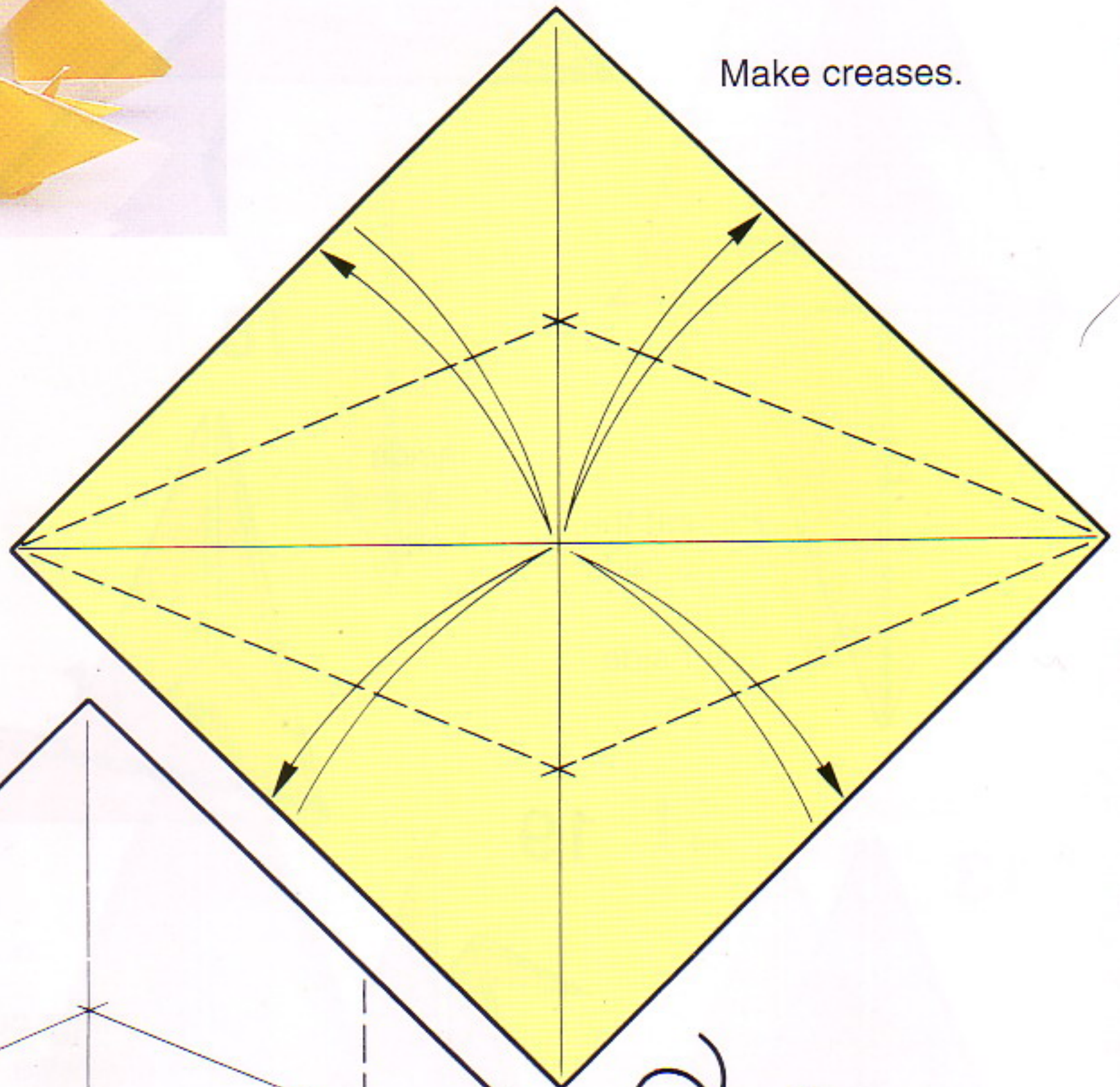


# MOTHER & BABY SWAN



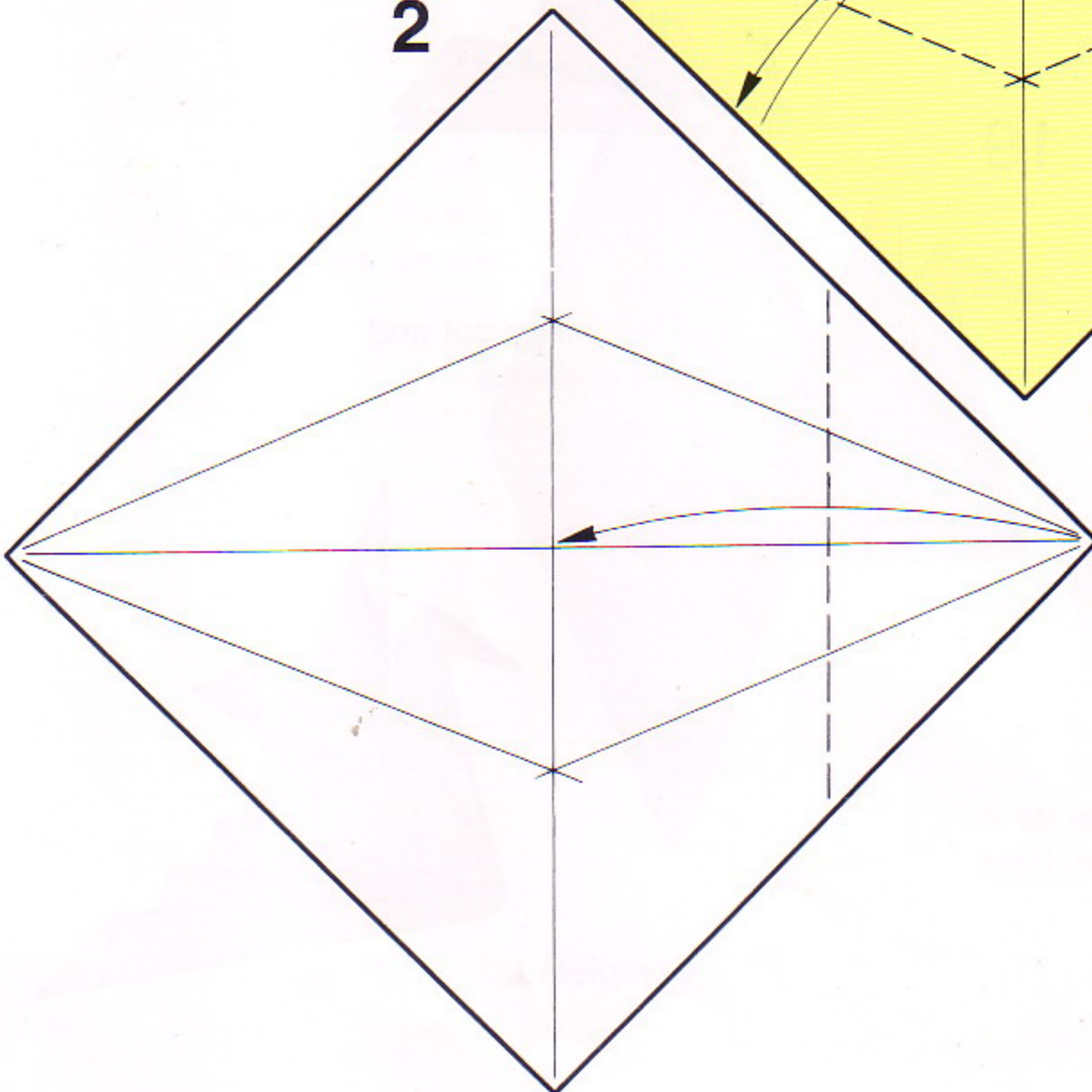
1

Make creases.

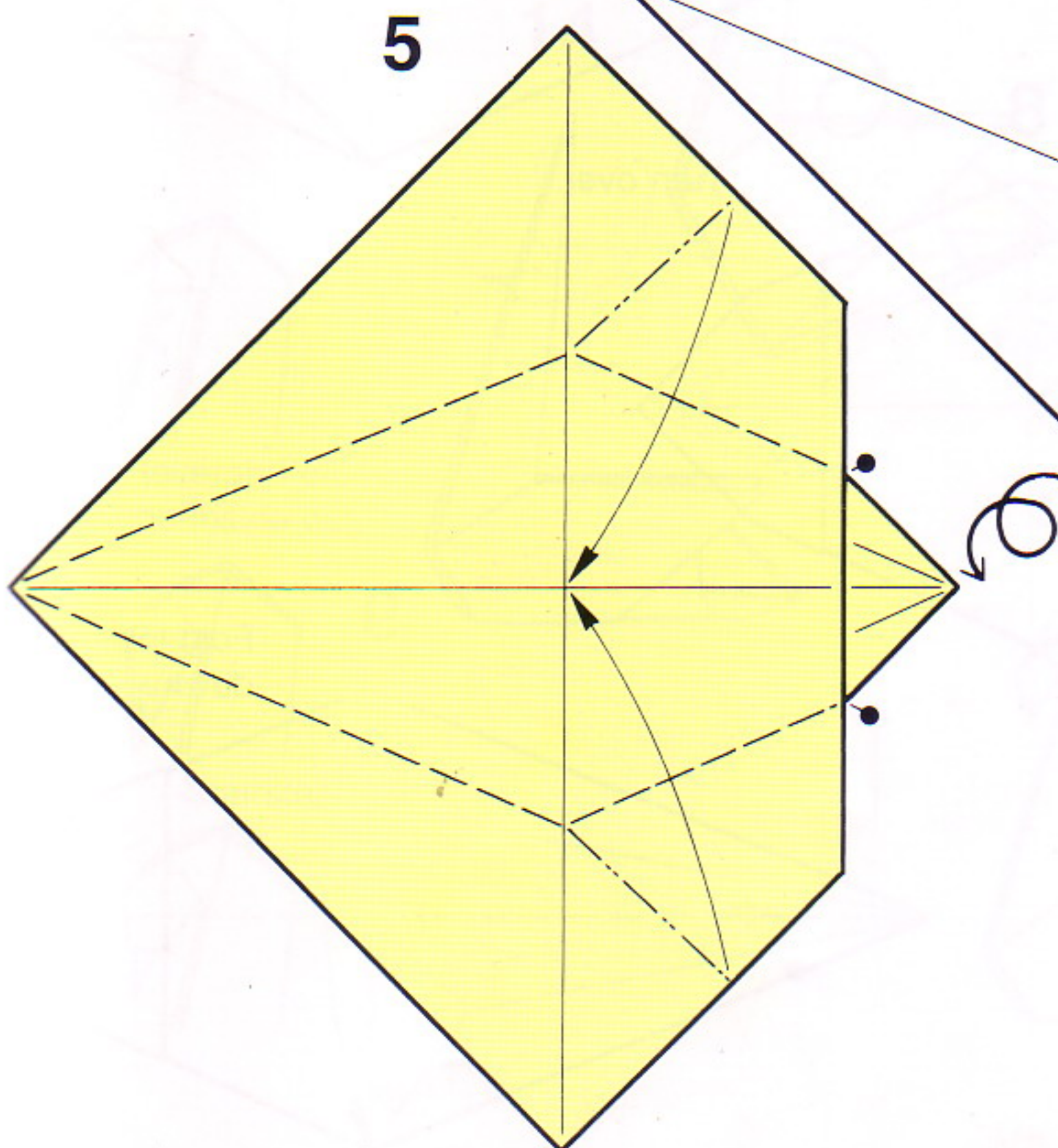
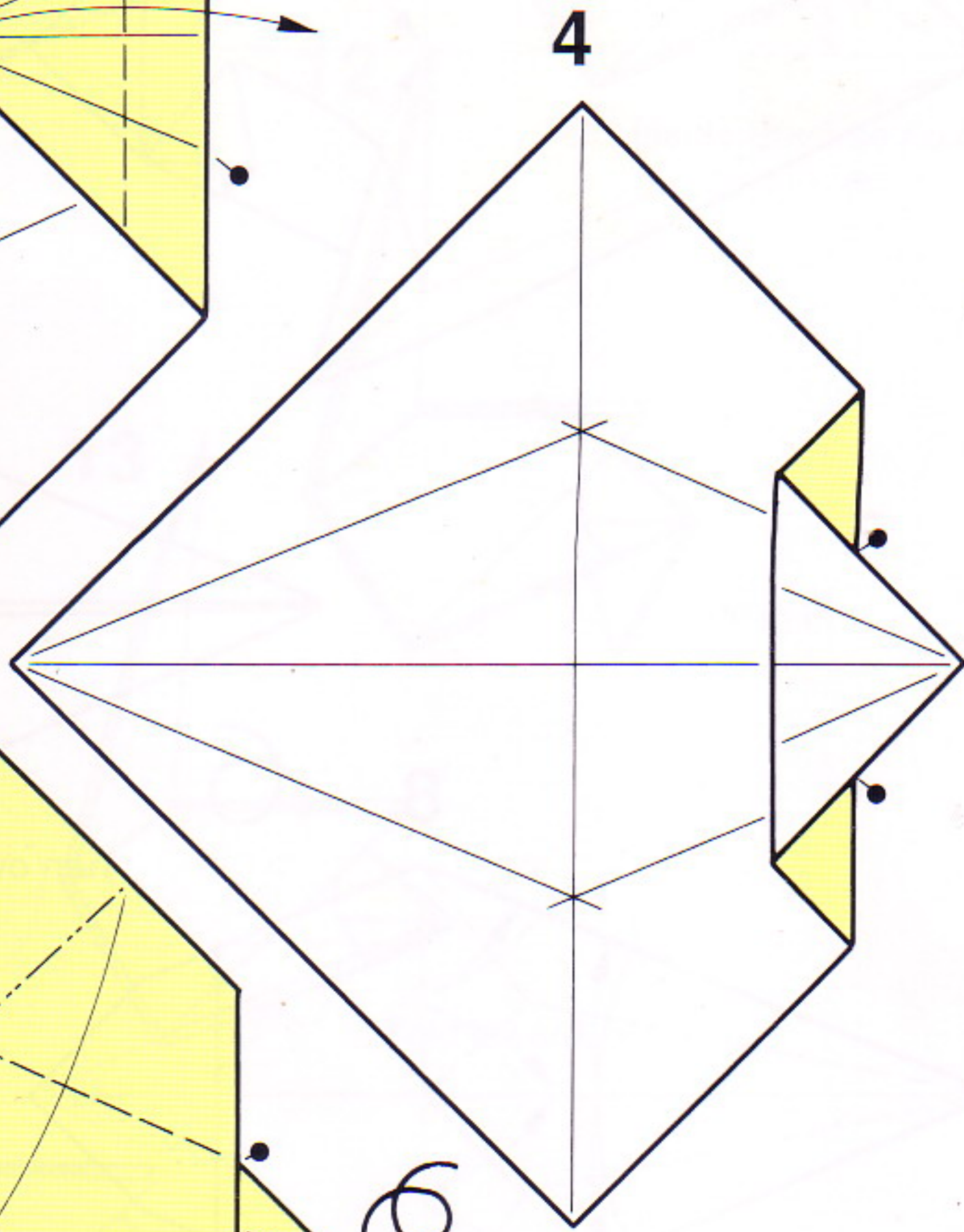
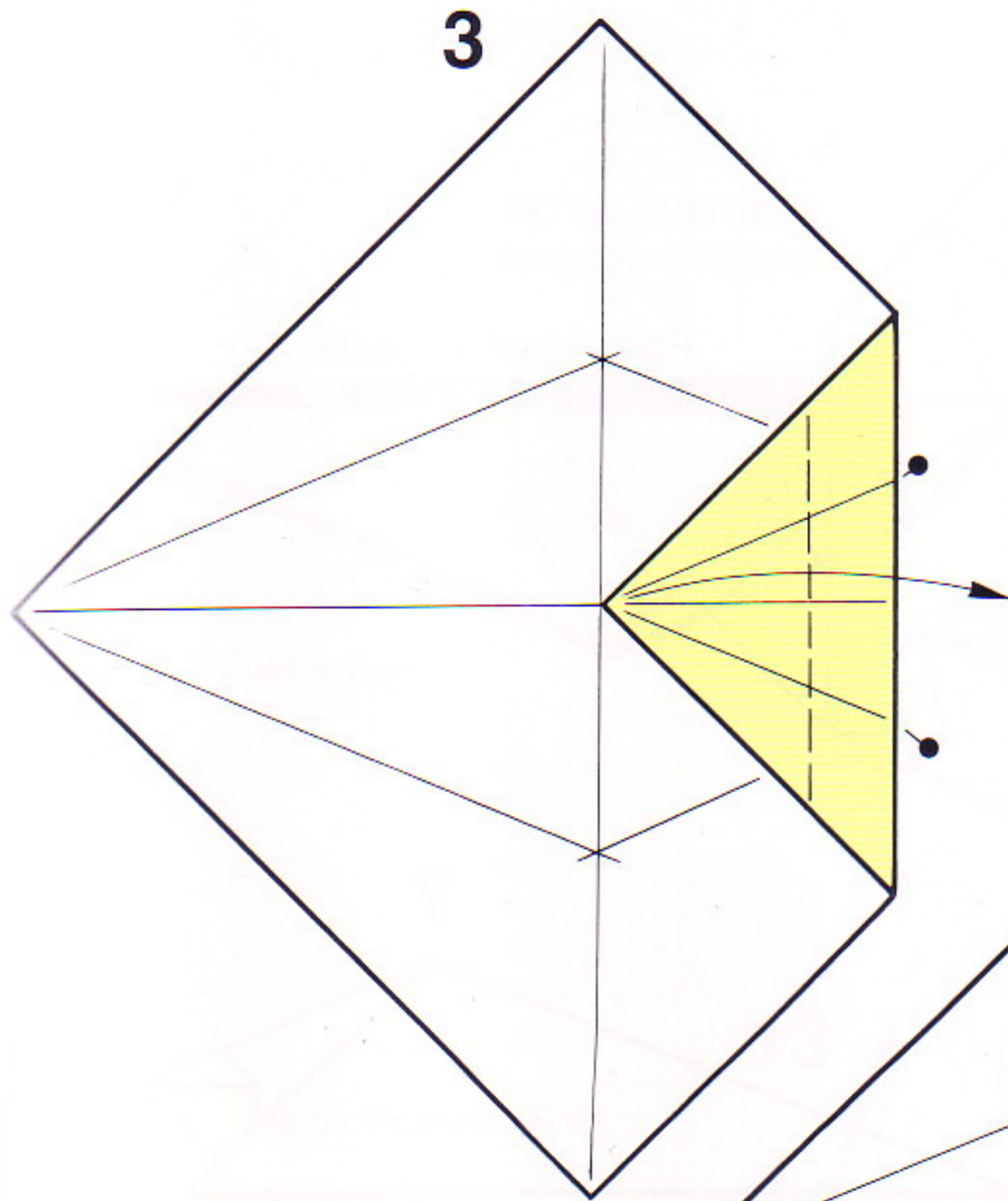


2

Turn over.

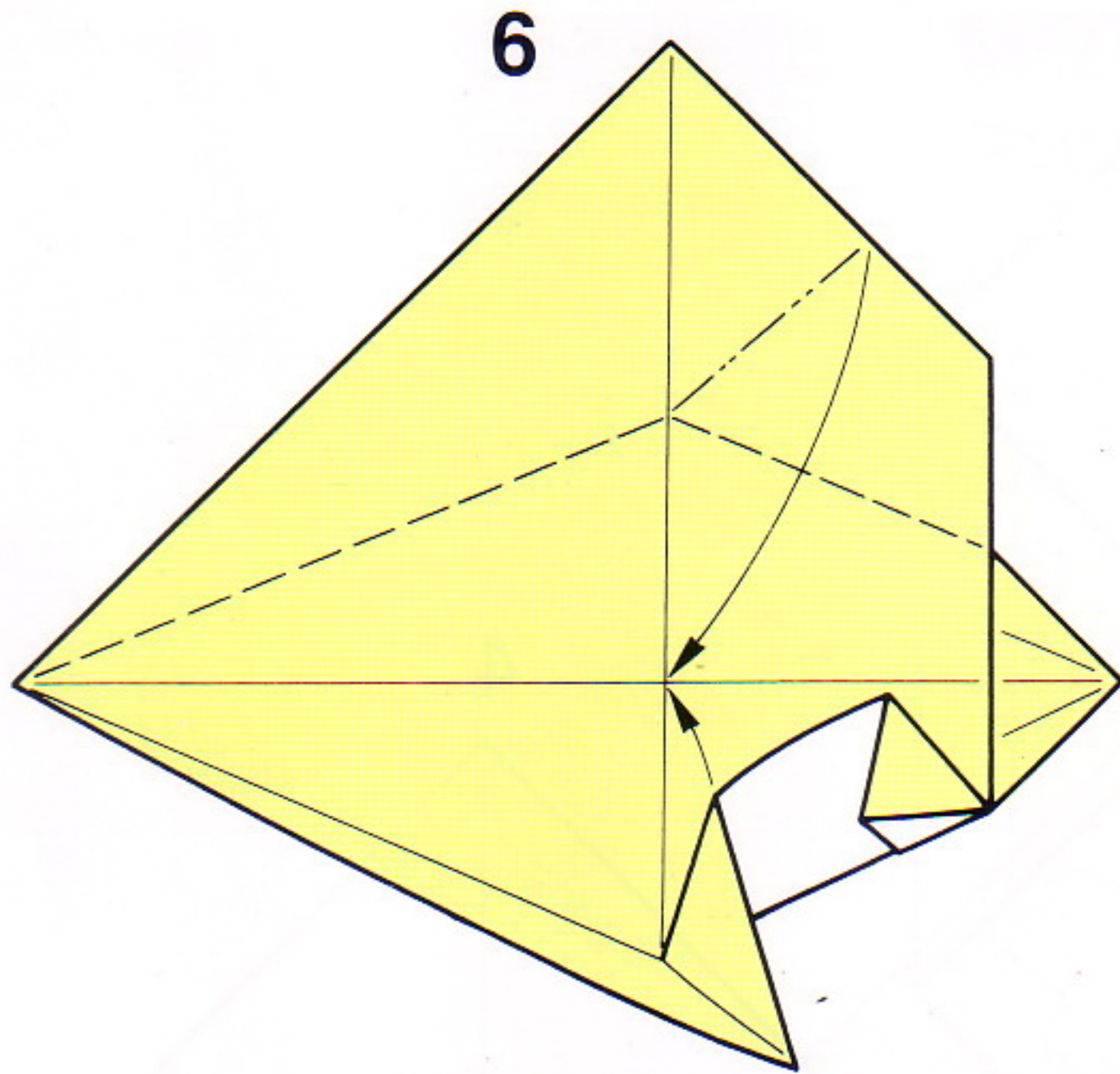




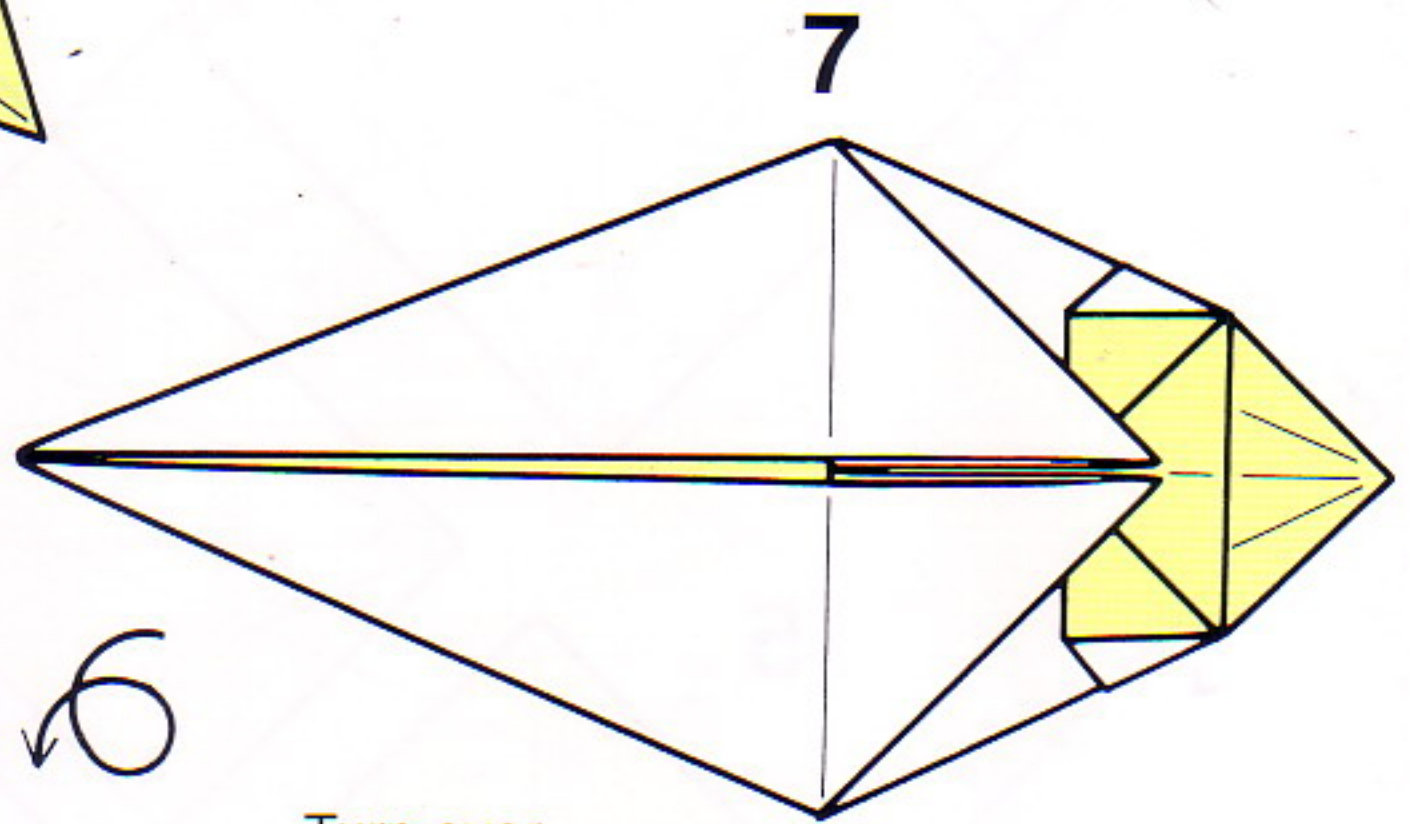


Turn over.

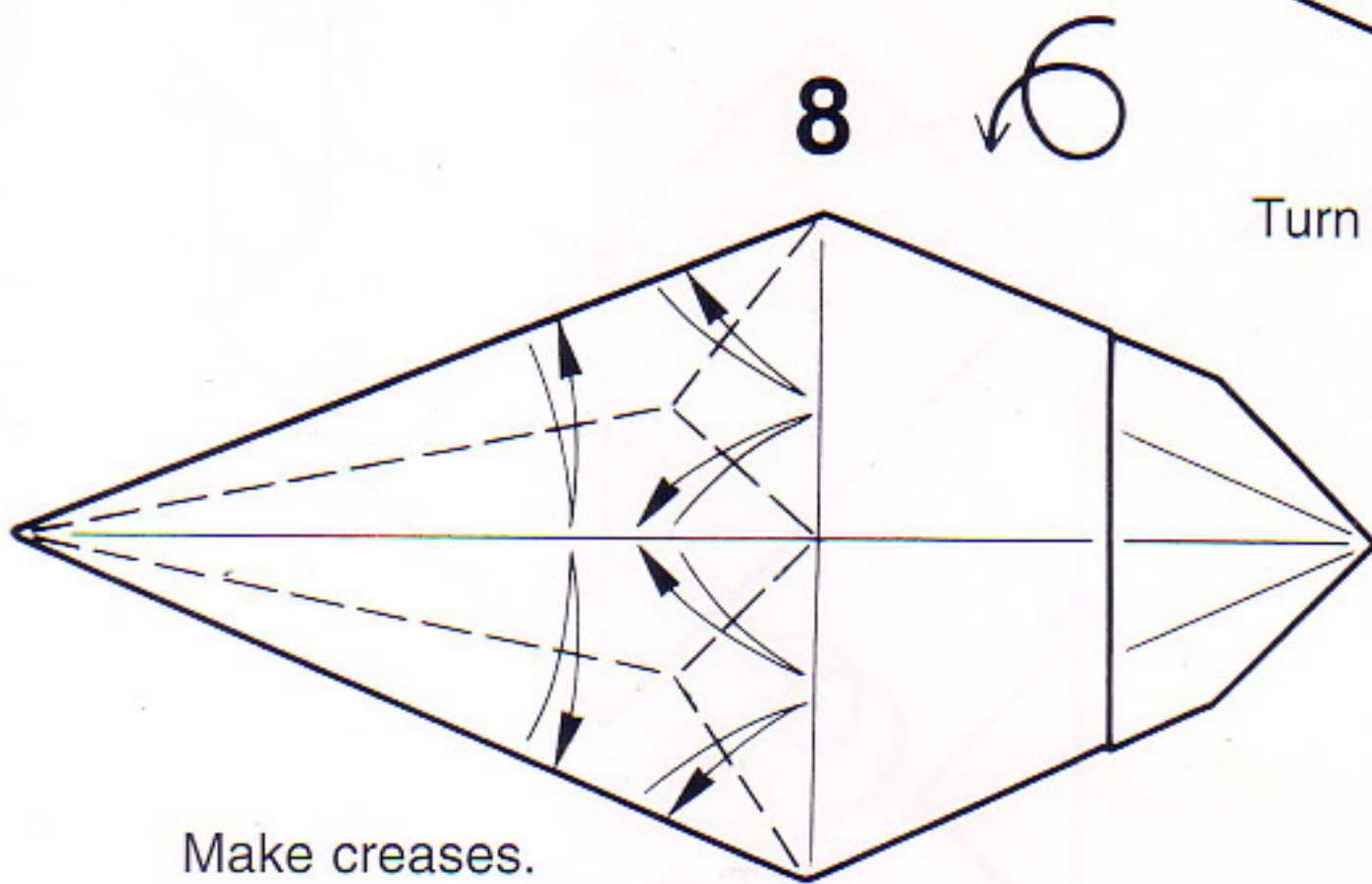




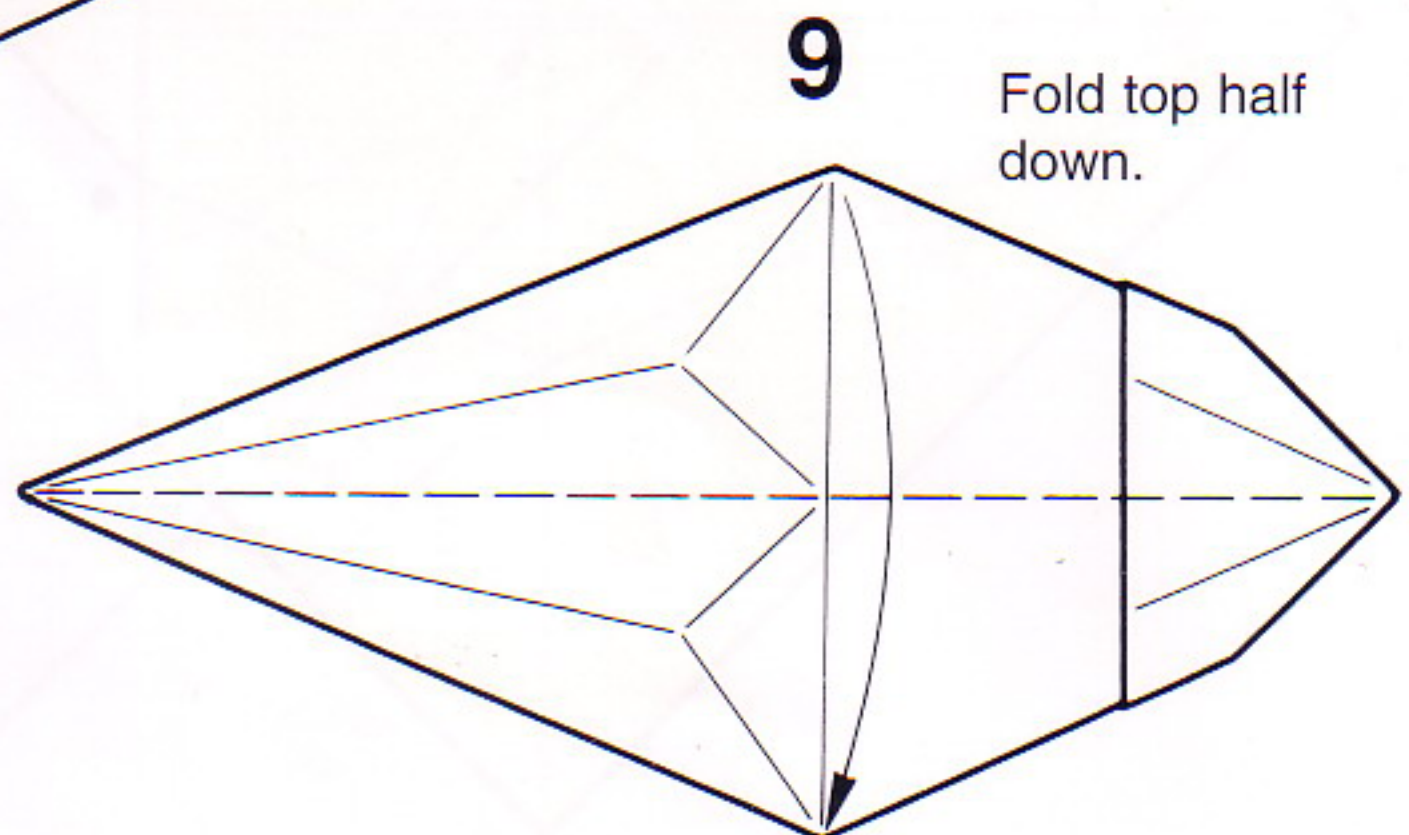
Fold inward along the creases and flatten.



Turn over.

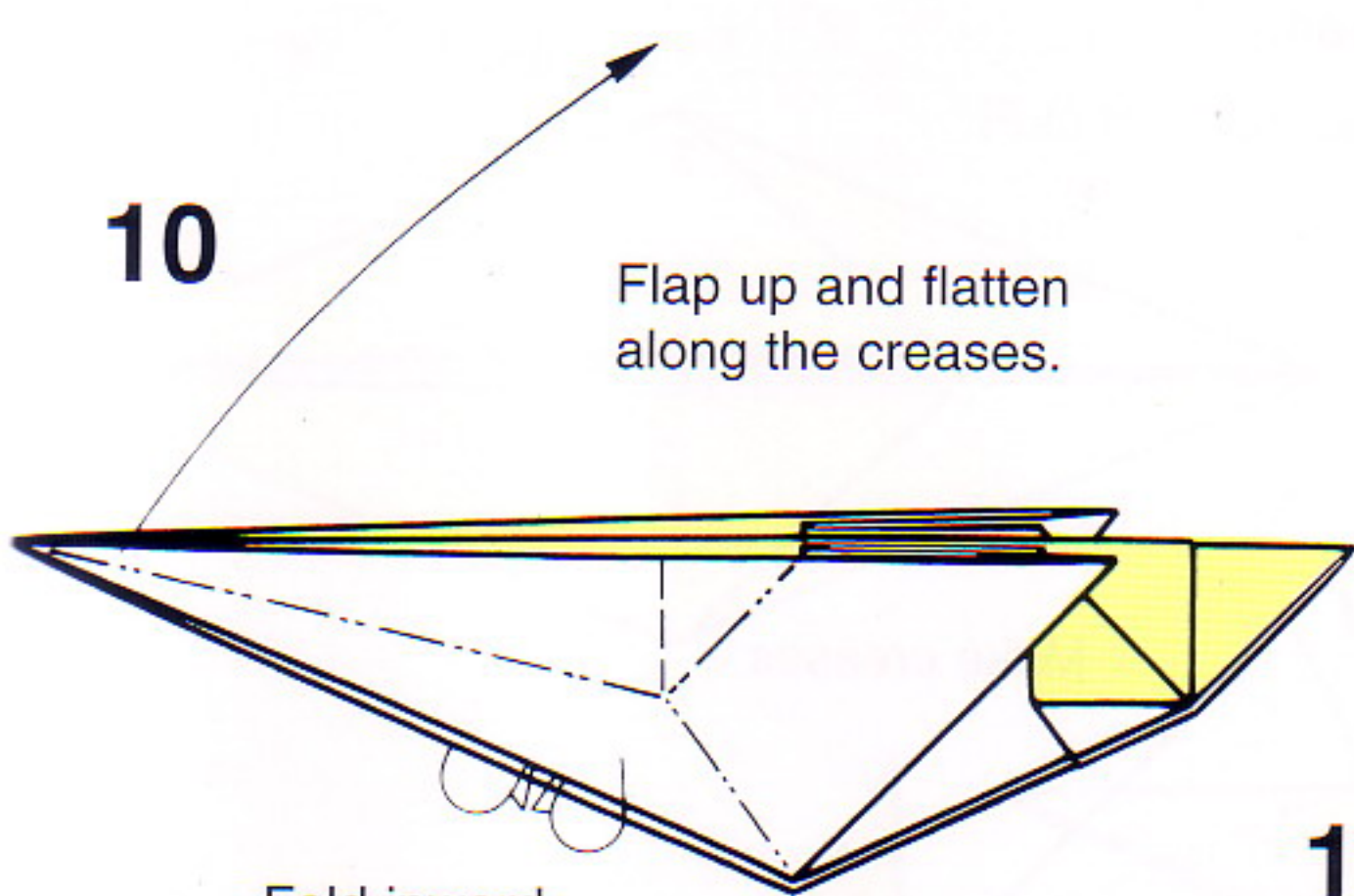


Make creases.



Fold top half down.

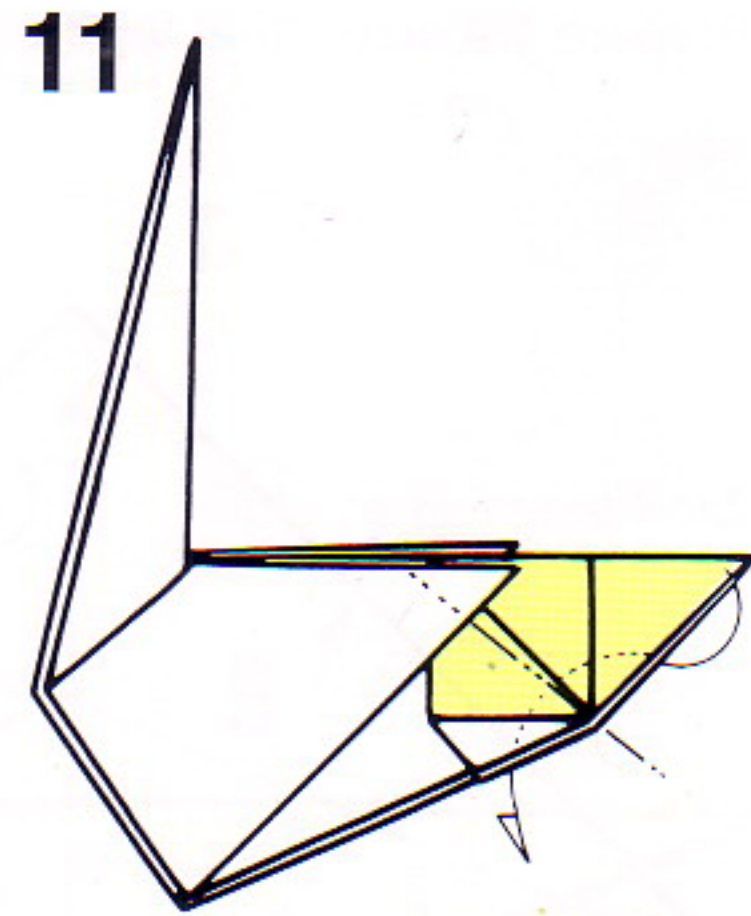




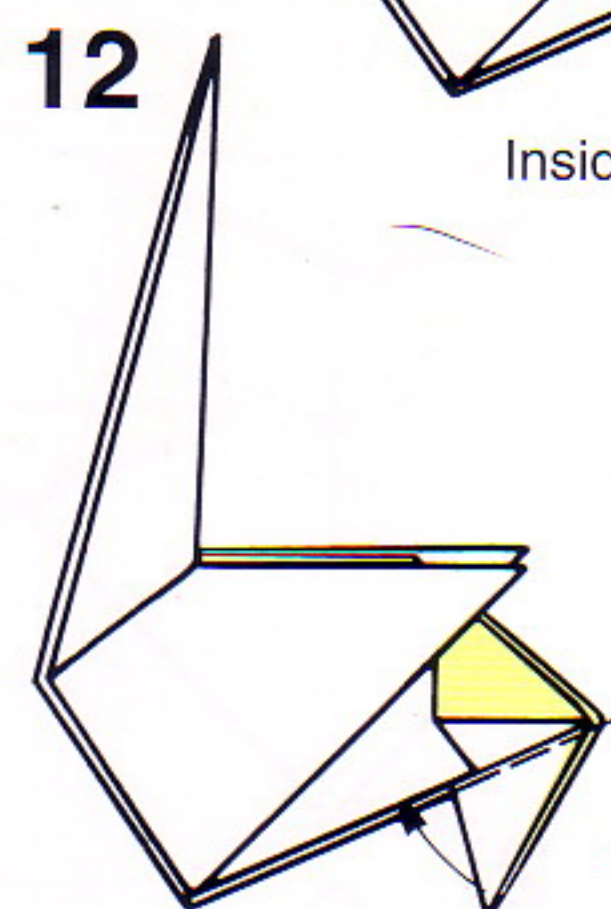
10

Flap up and flatten along the creases.

Fold inward.



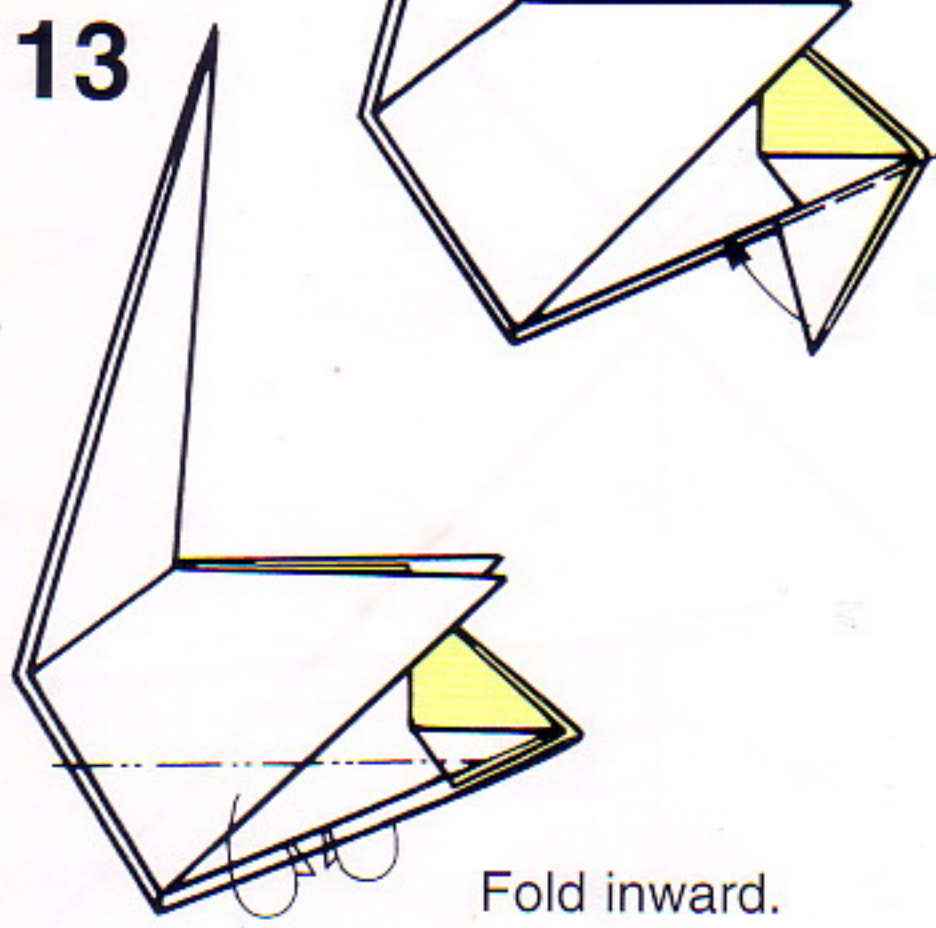
11



12

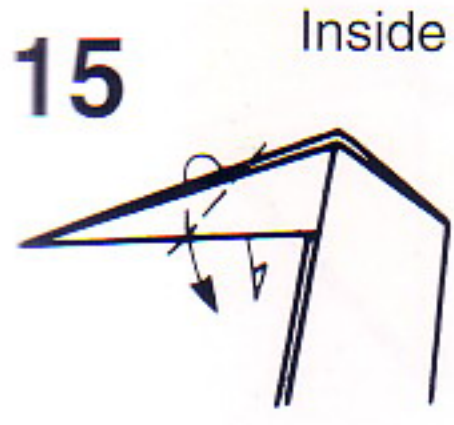
Inside Reverse Fold.

Push in.



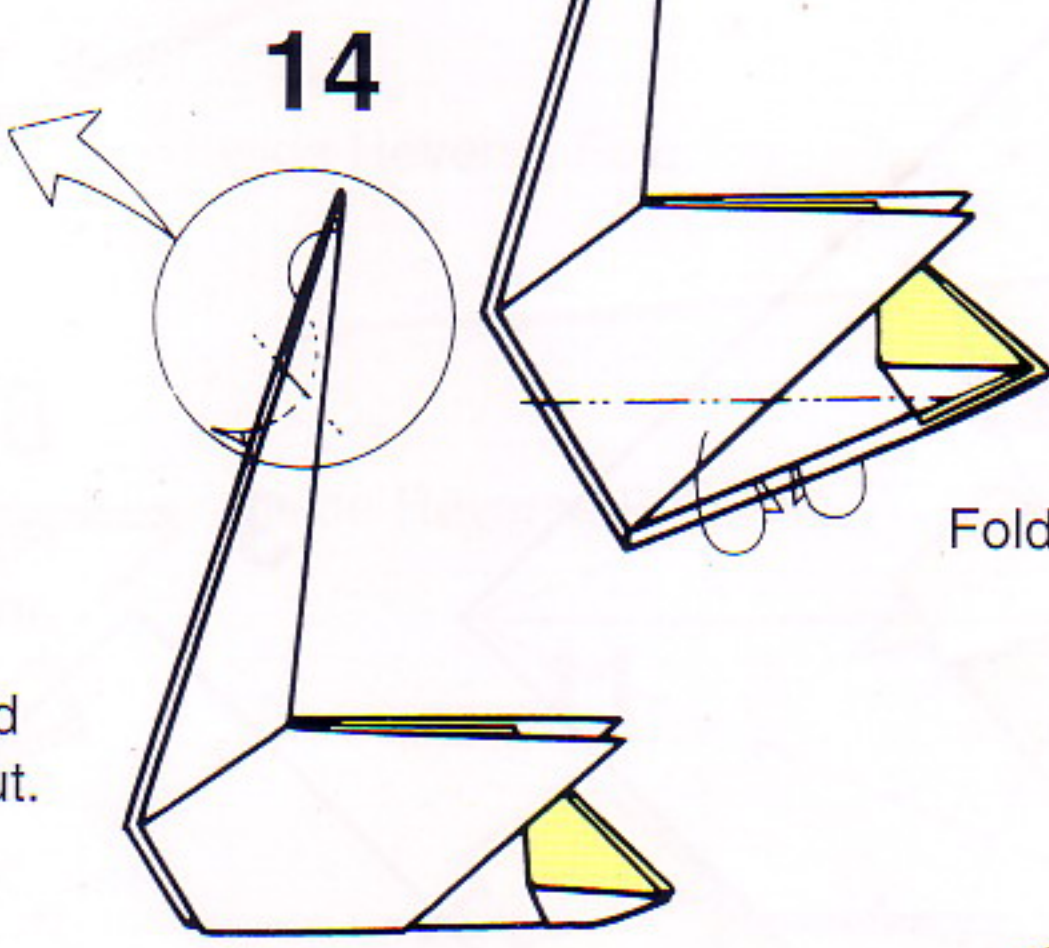
13

Fold inward.

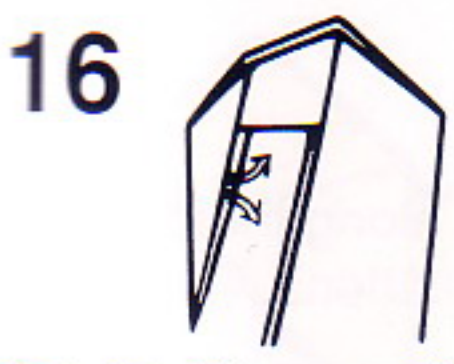


15

Inside Reverse Fold.

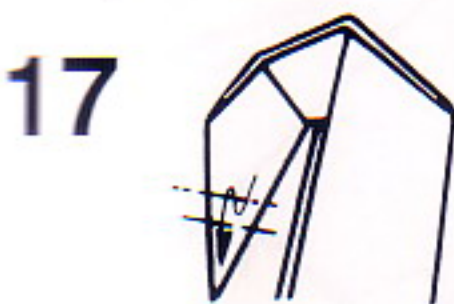


14



16

Outside Reverse Fold and pull the inside out.

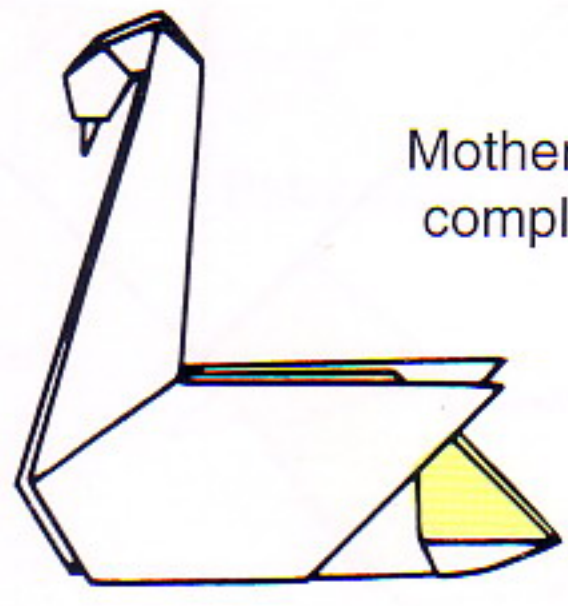


17

Stairstep Fold.



18

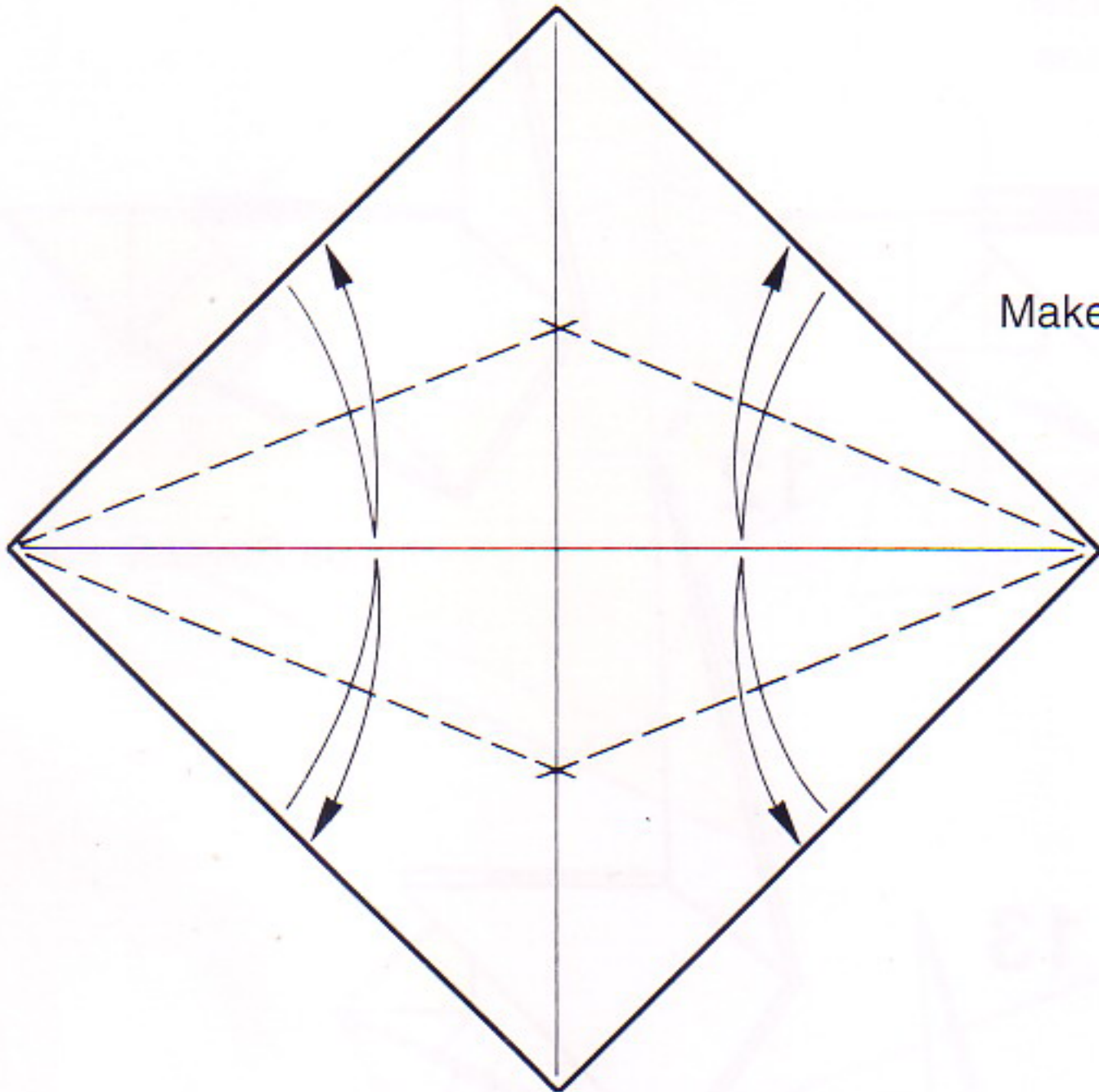


Mother swan completed.



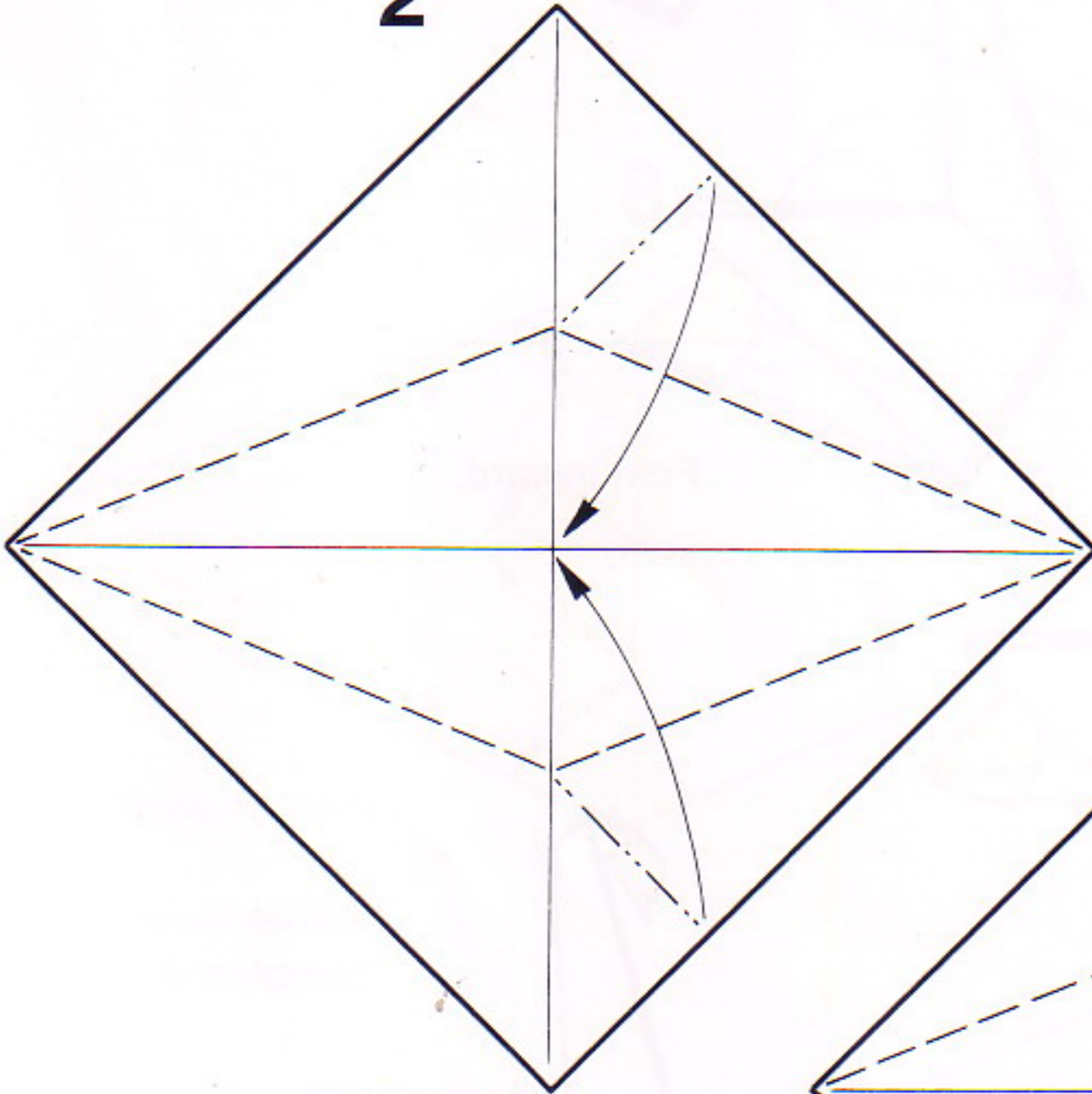
Prepare 1/4 size sheet for the baby swan.

**1**



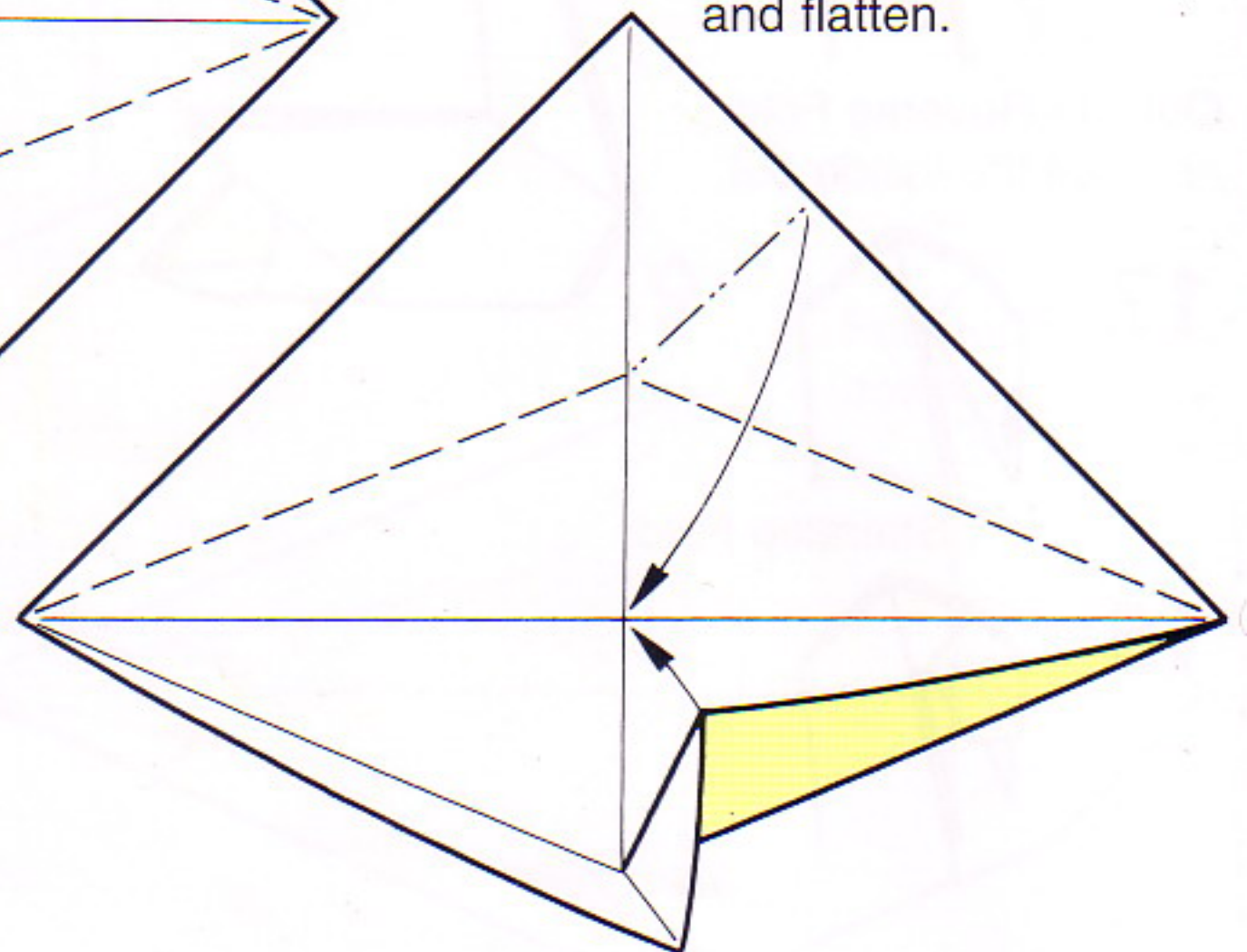
Make creases.

**2**

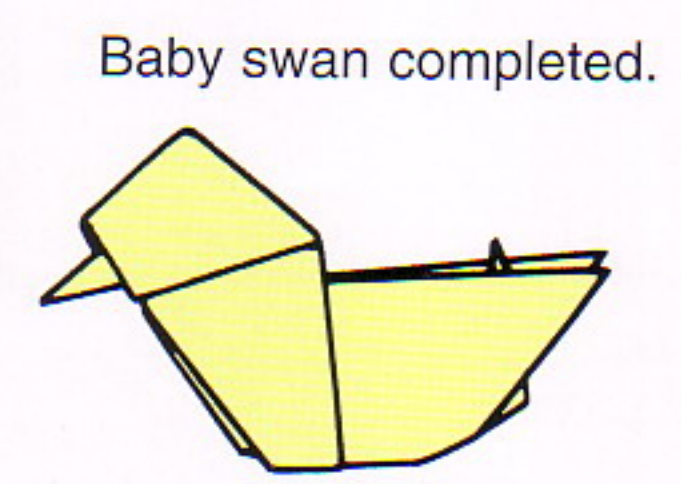
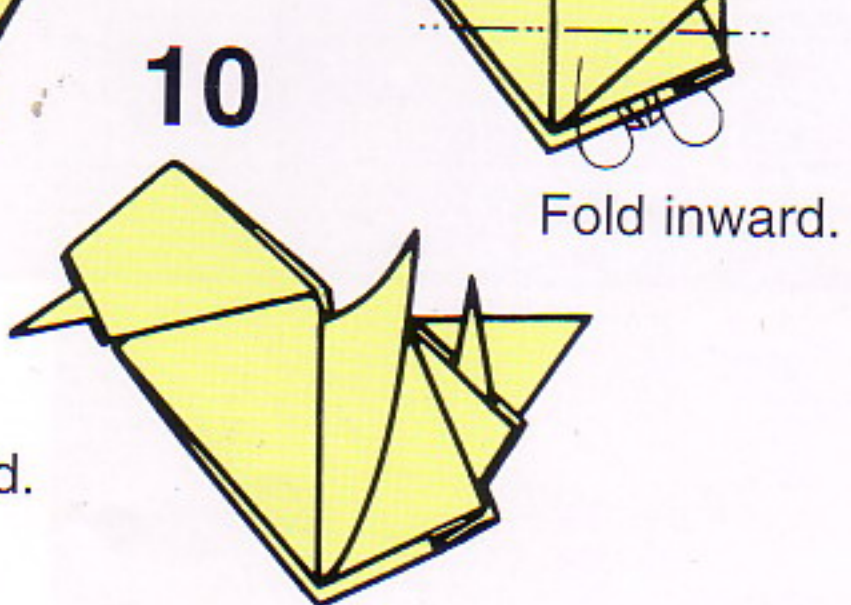
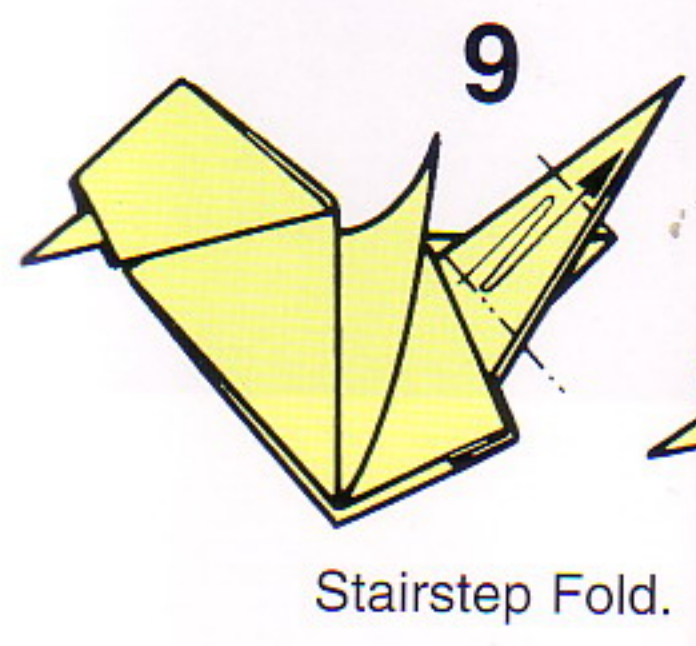
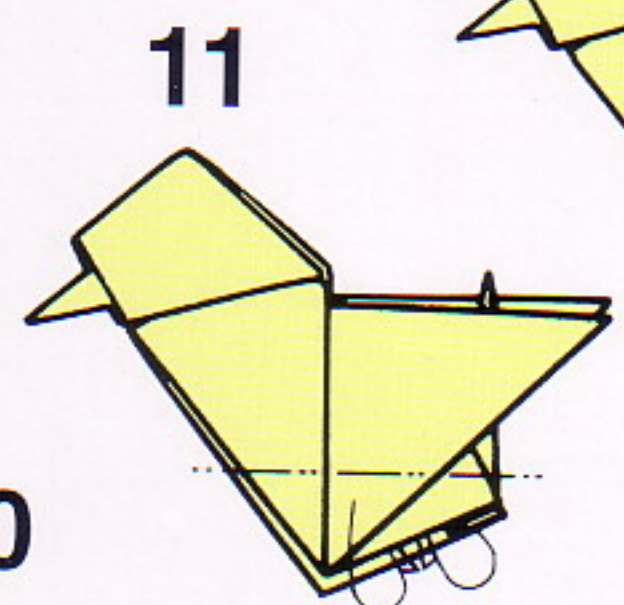
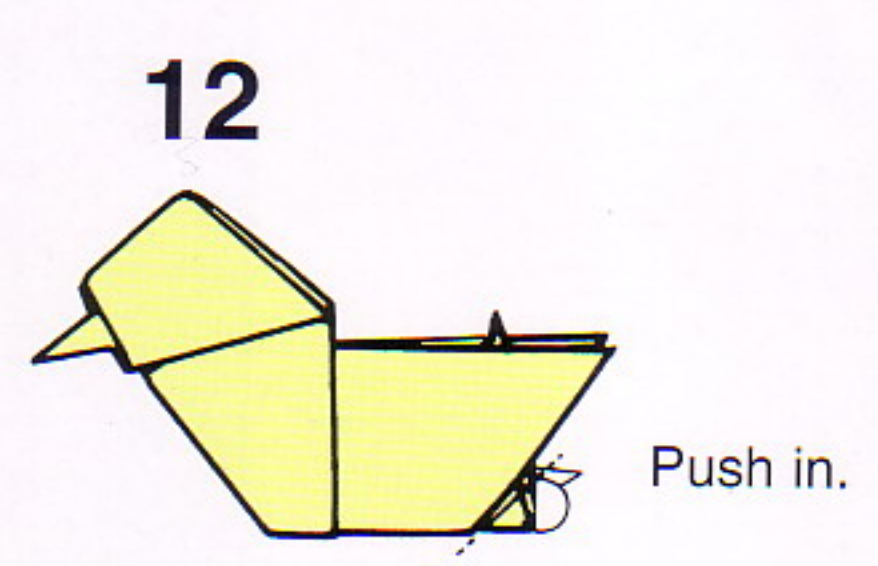
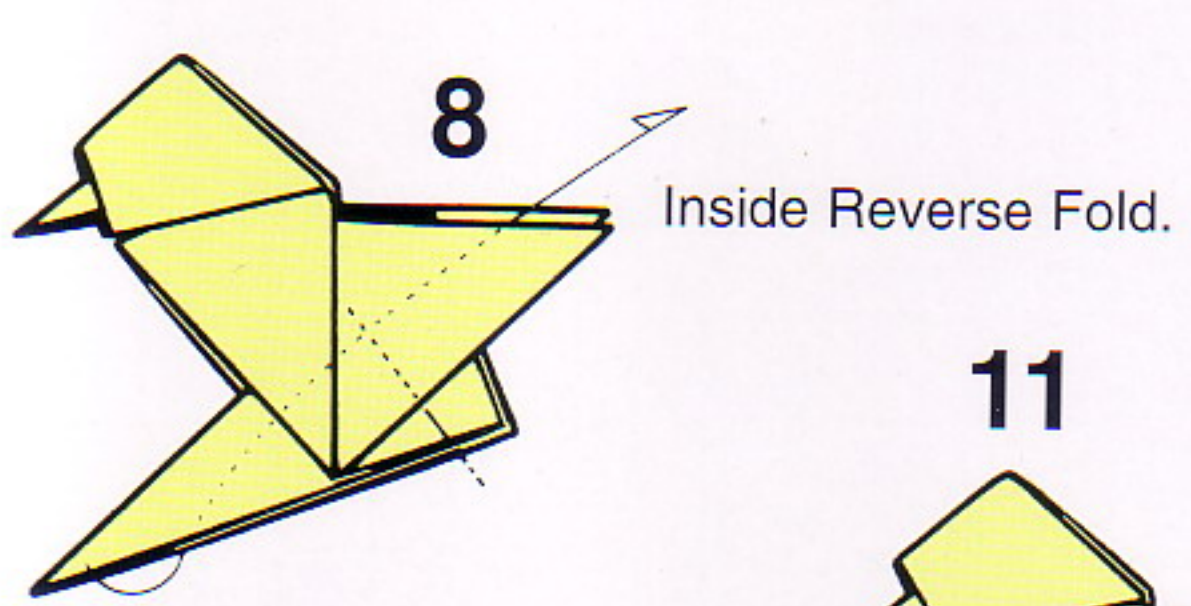
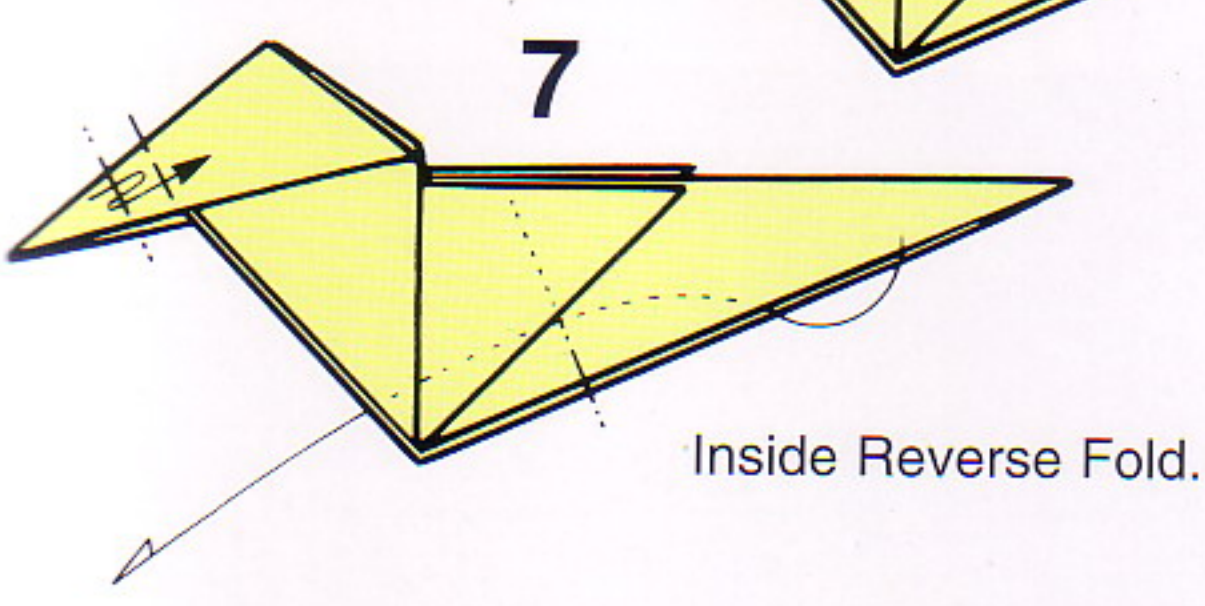
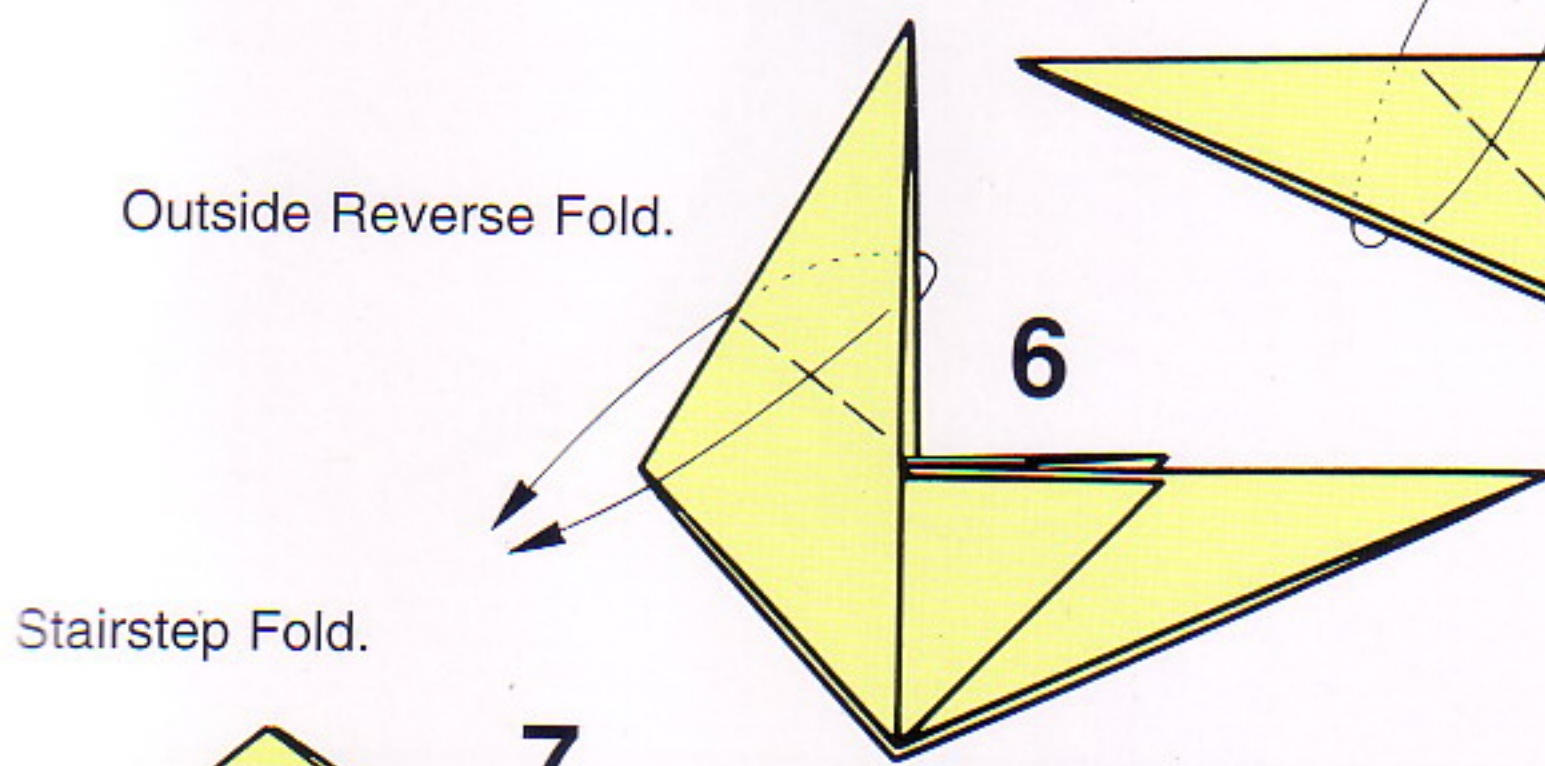
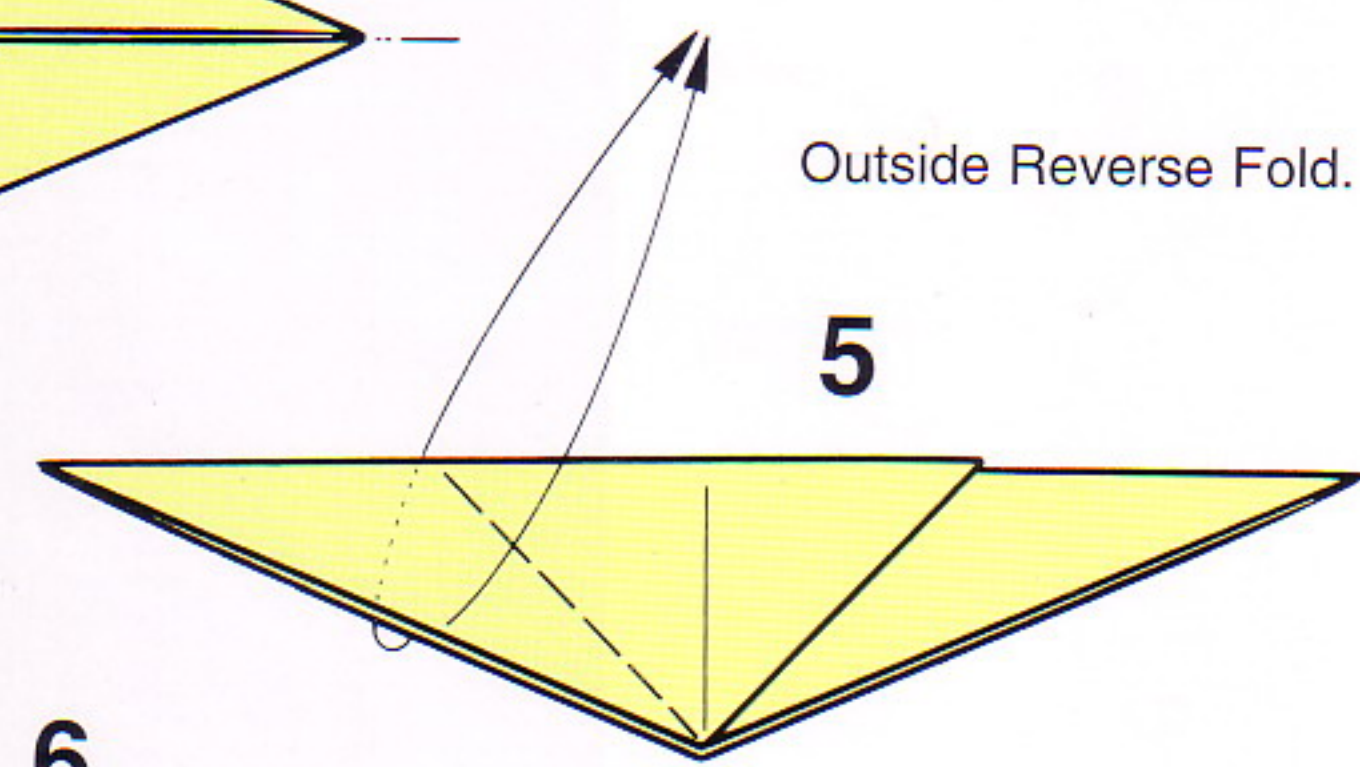
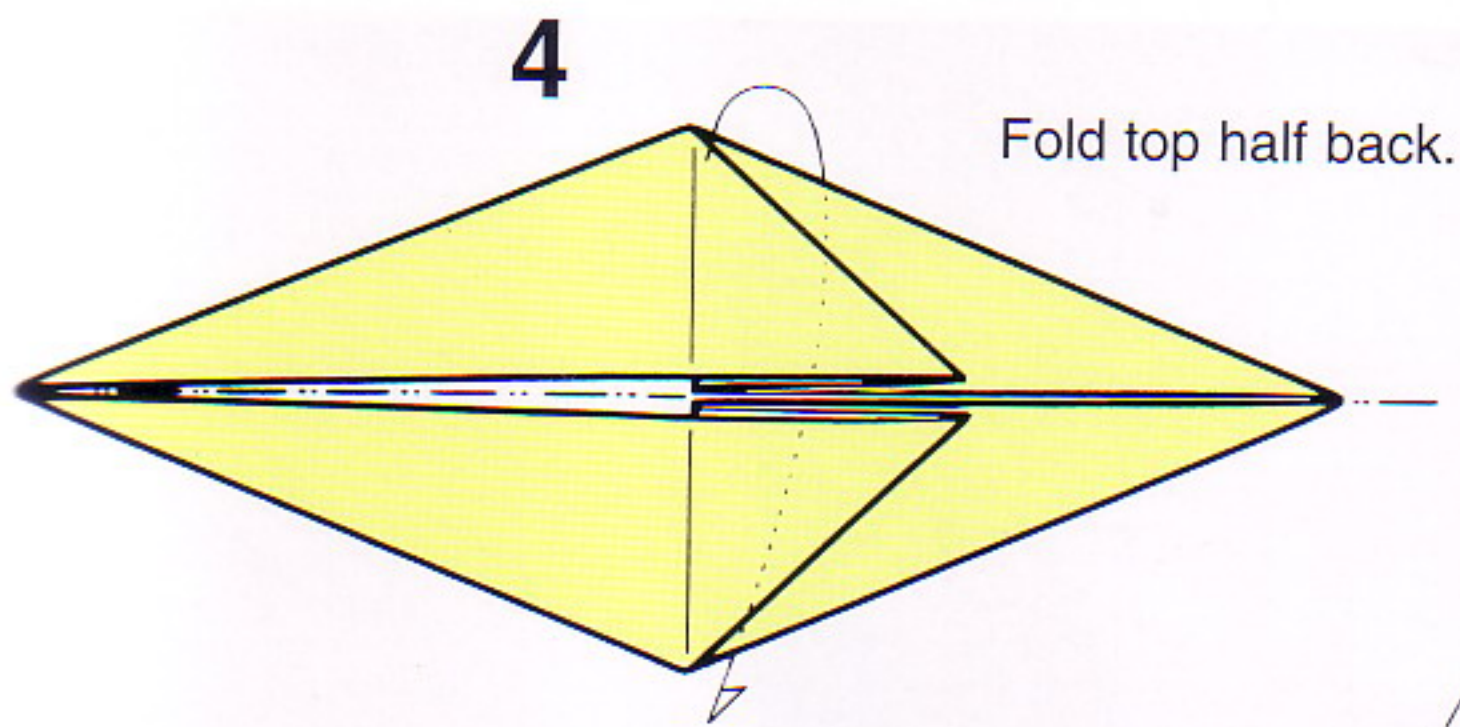


**3**

Fold along the creases and flatten.

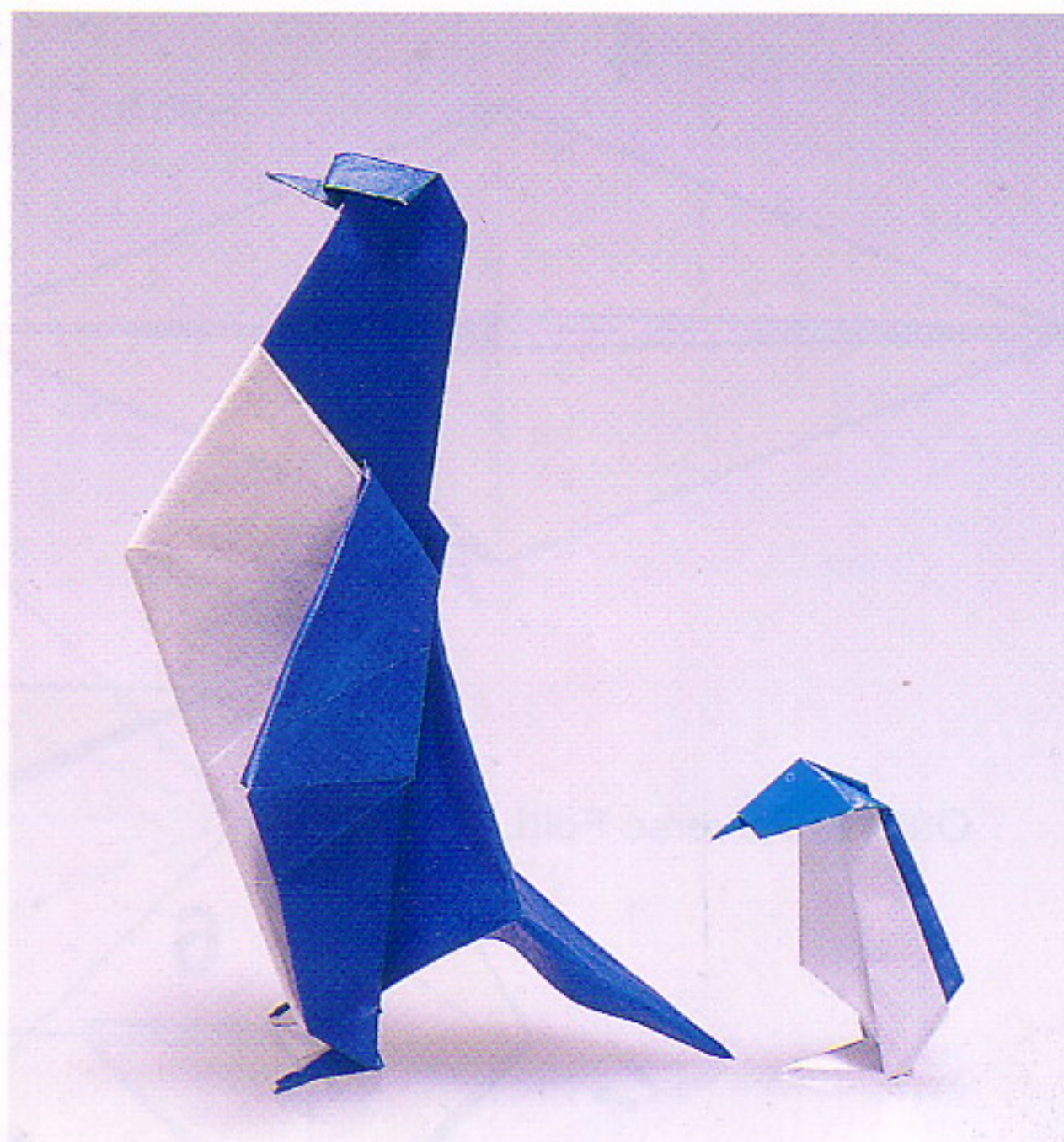






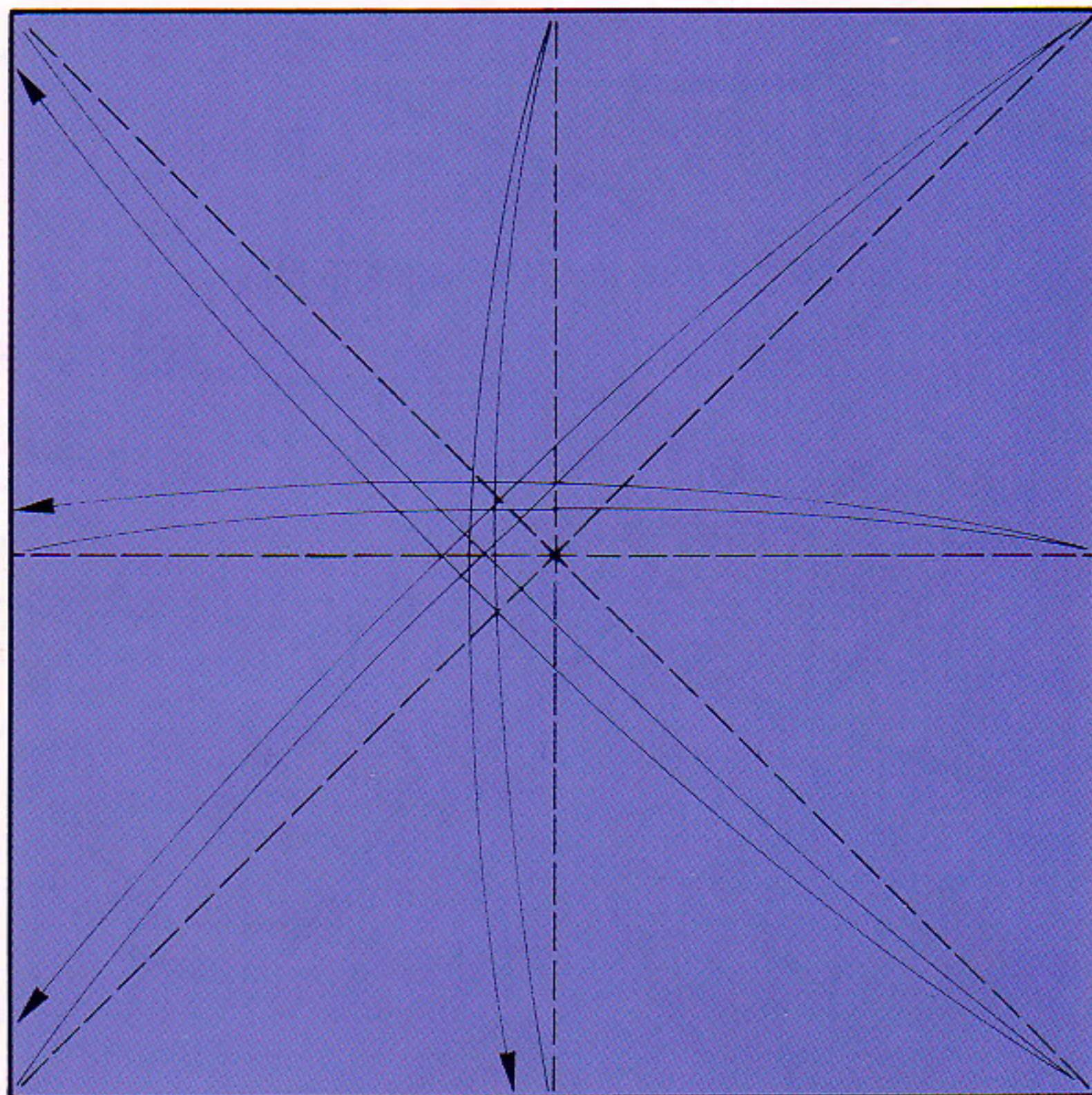


# MOTHER & BABY PENGUIN

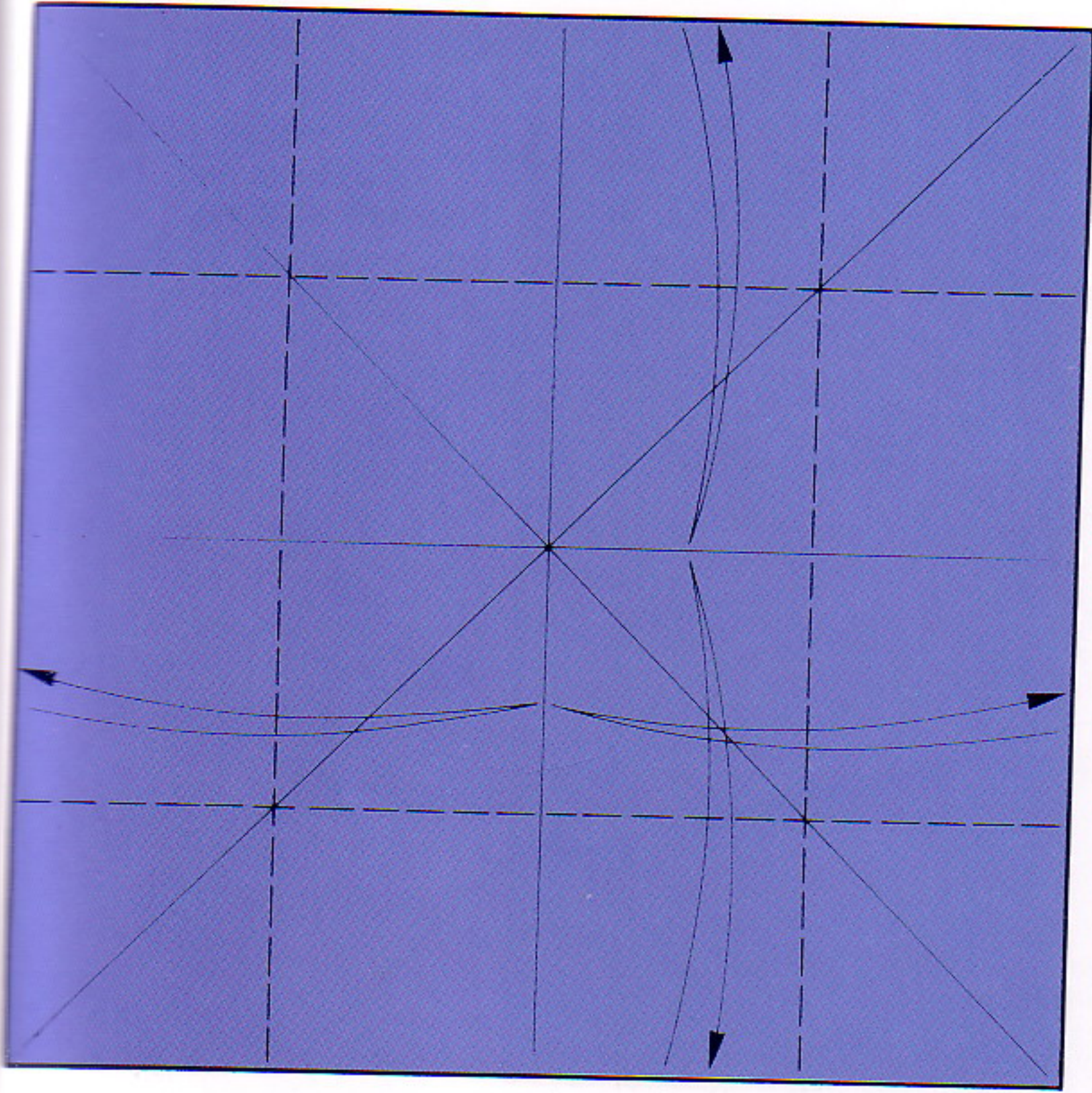


1

Make creases.



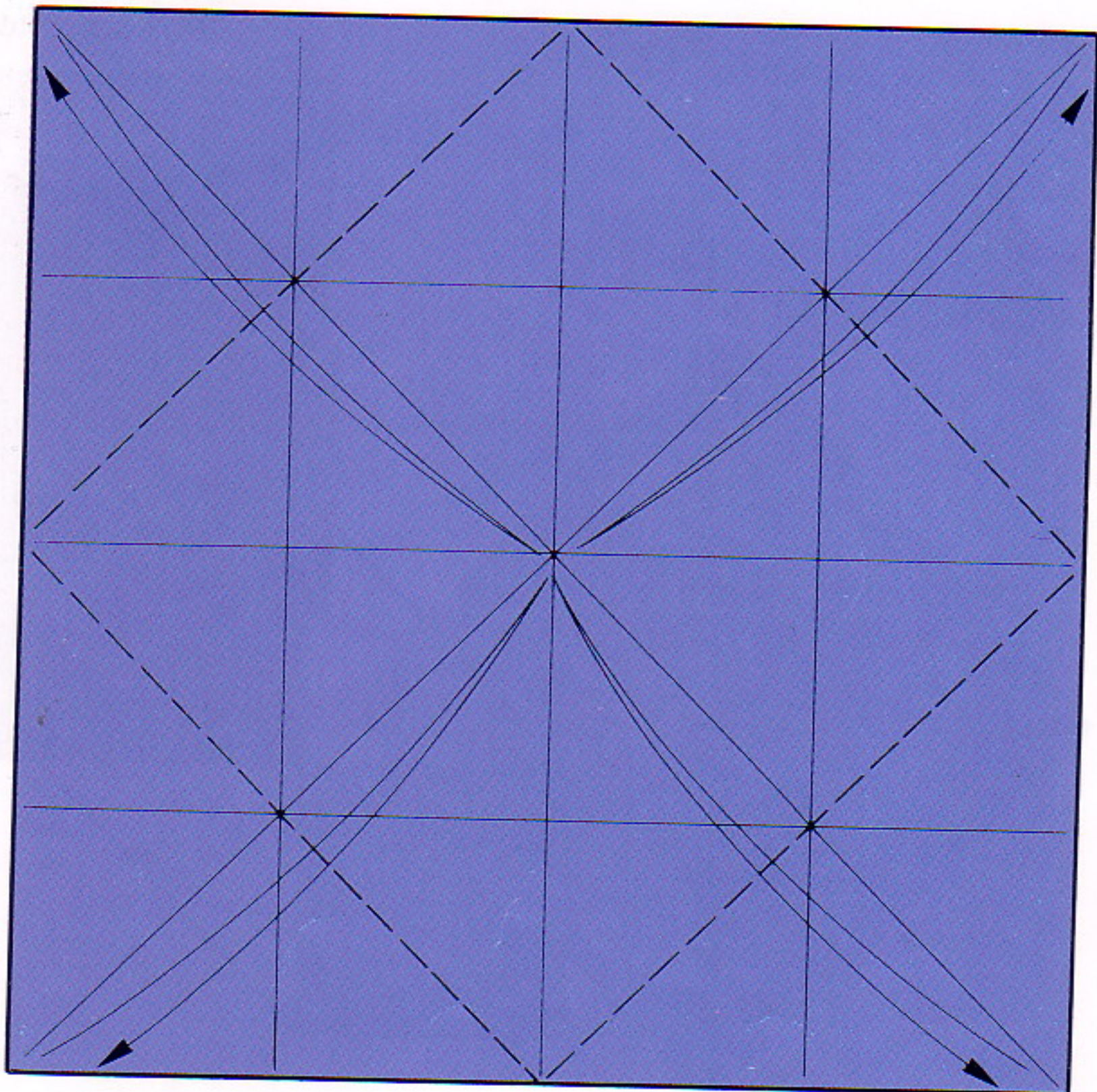




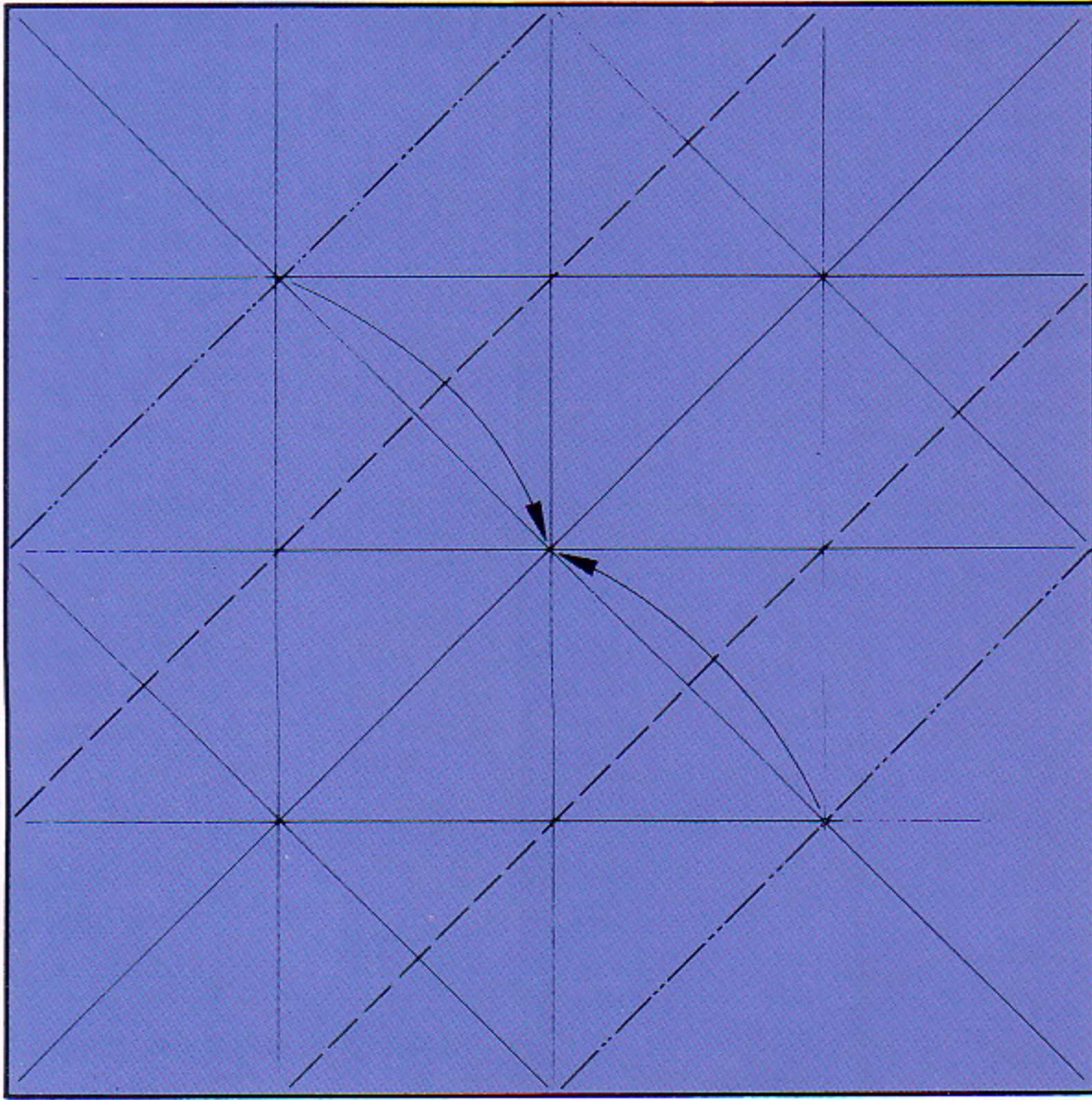
2

Make creases as shown.

3

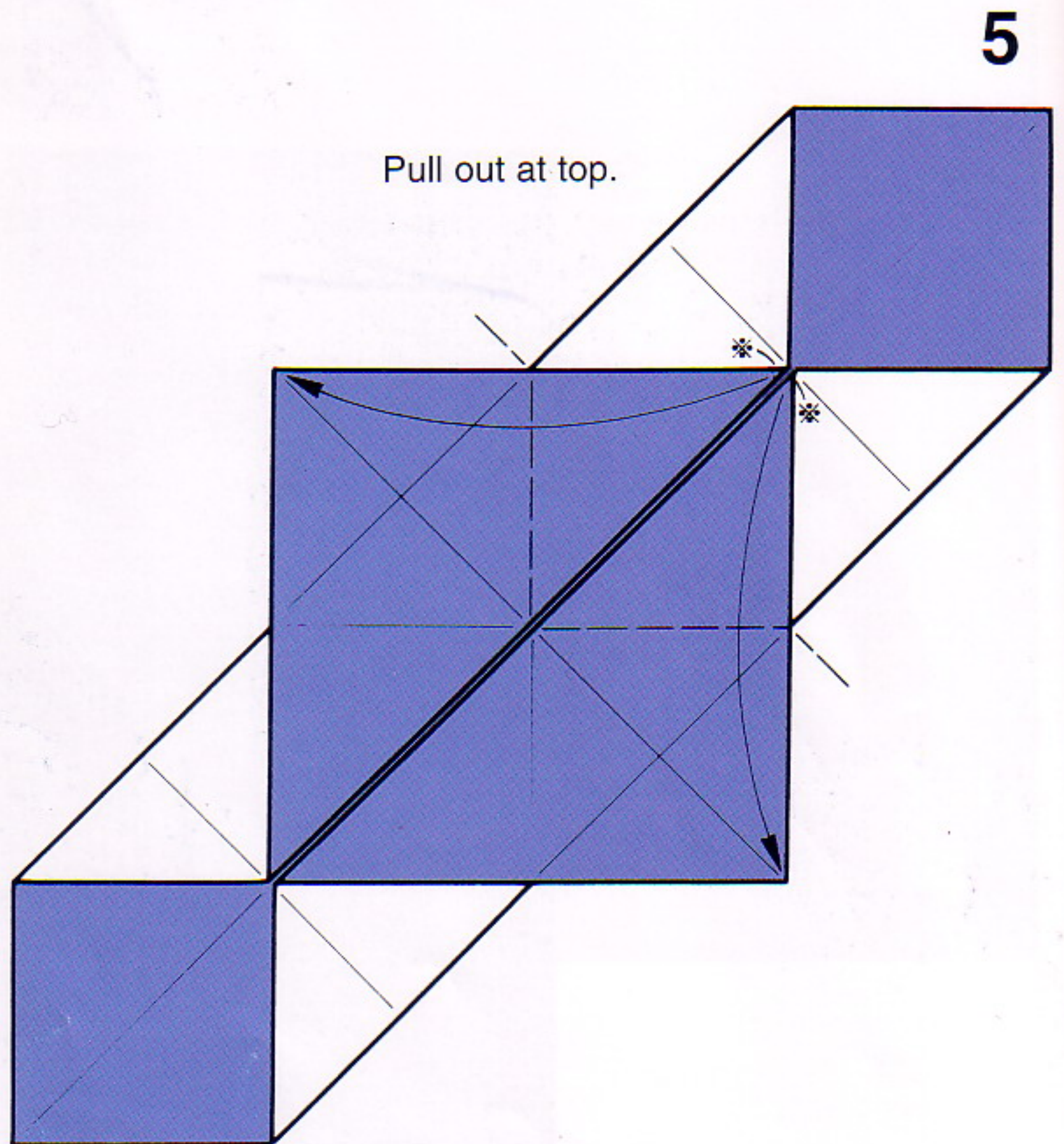






4

Fold inward along  
inside creases.

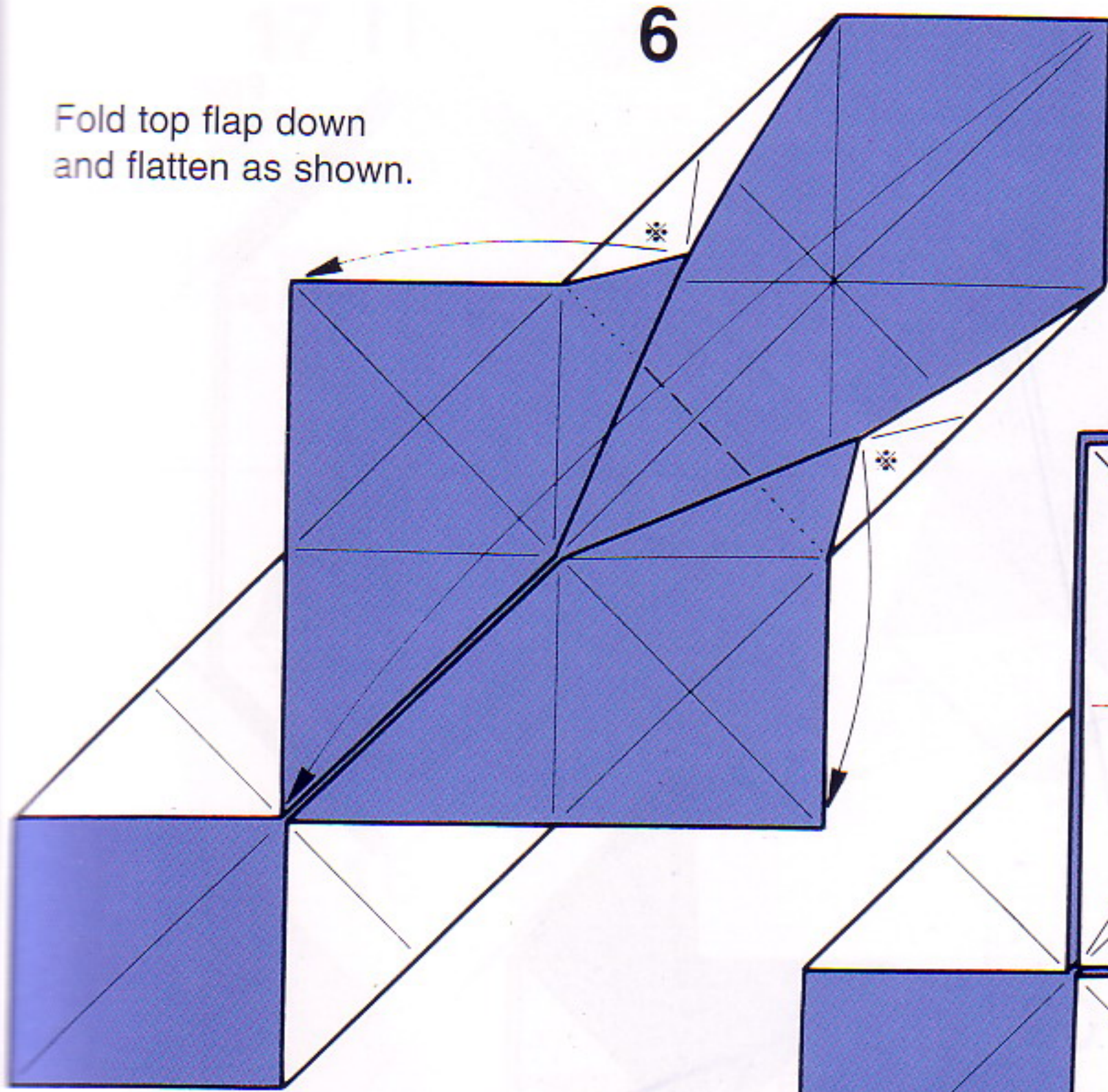


5

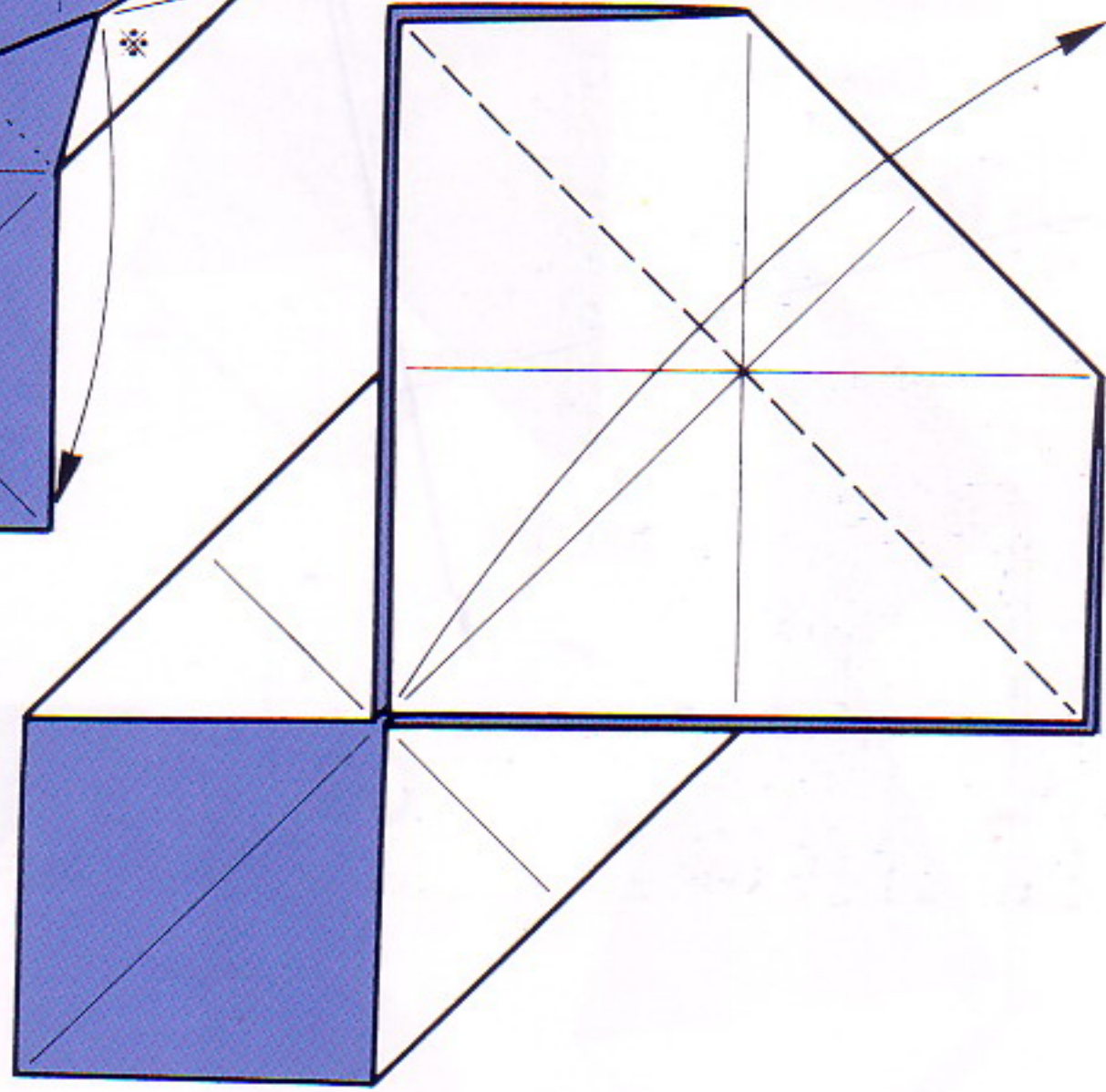
Pull out at top.



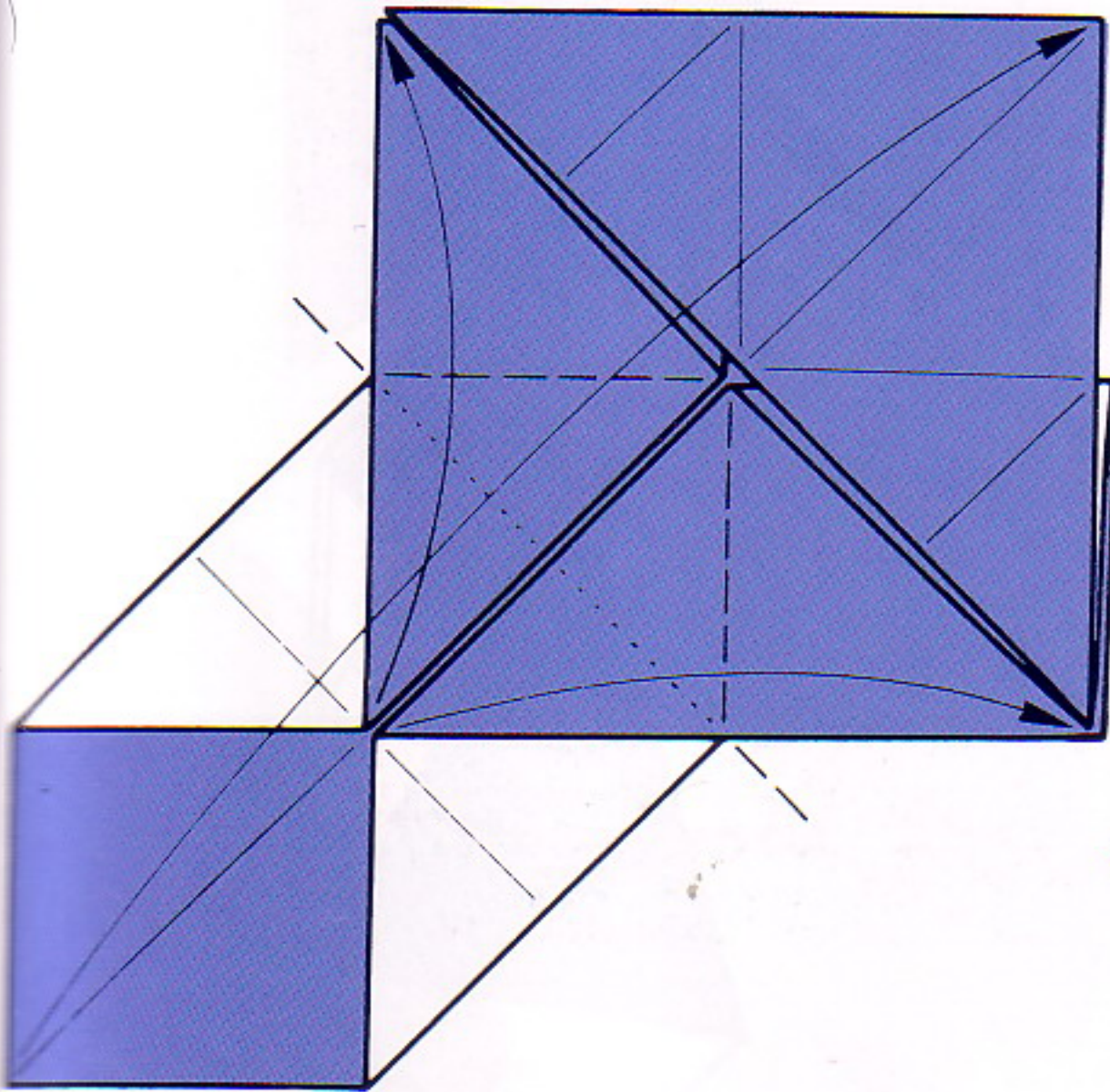
Fold top flap down  
and flatten as shown.



7 Fold flap up.

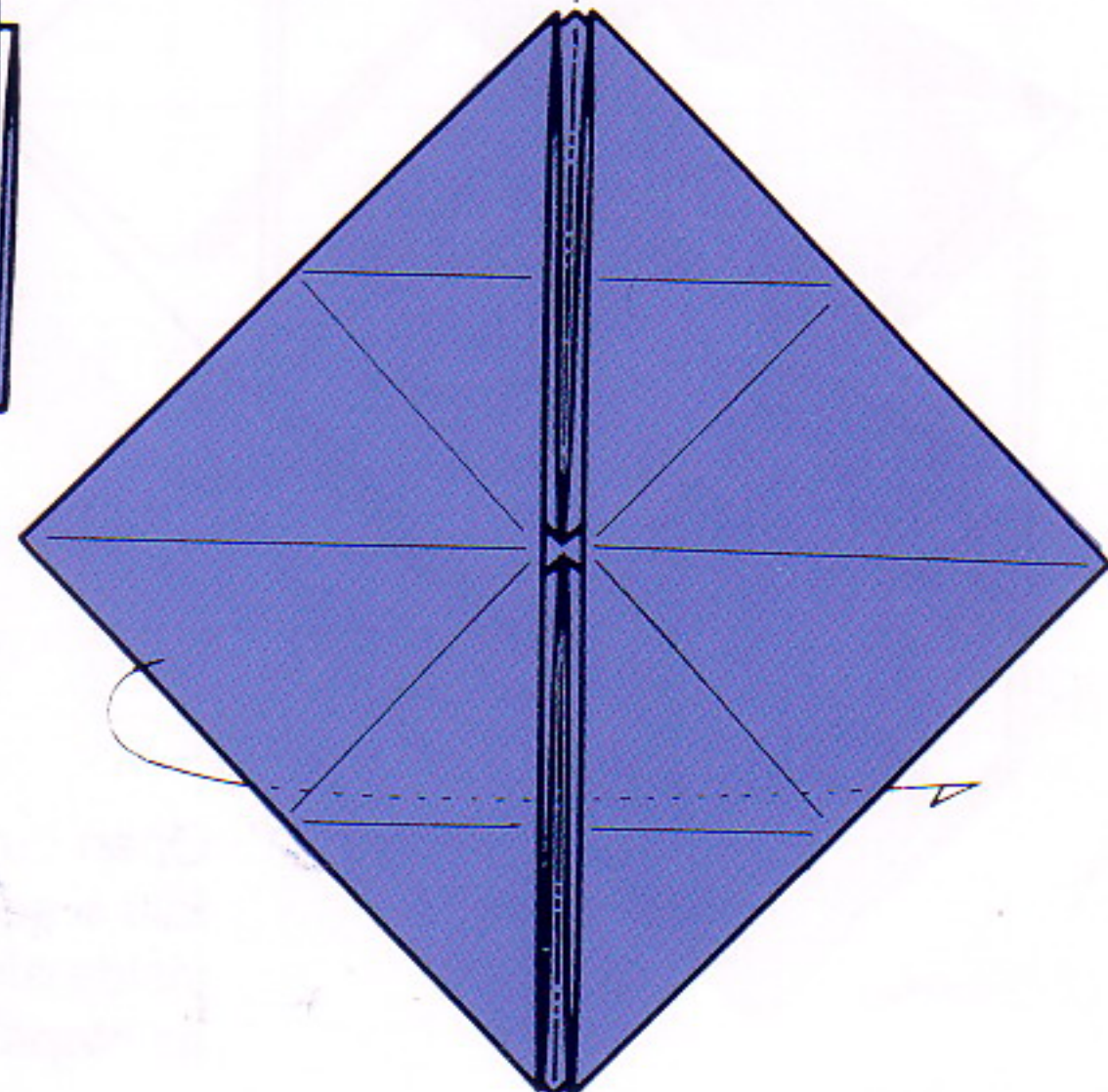


8

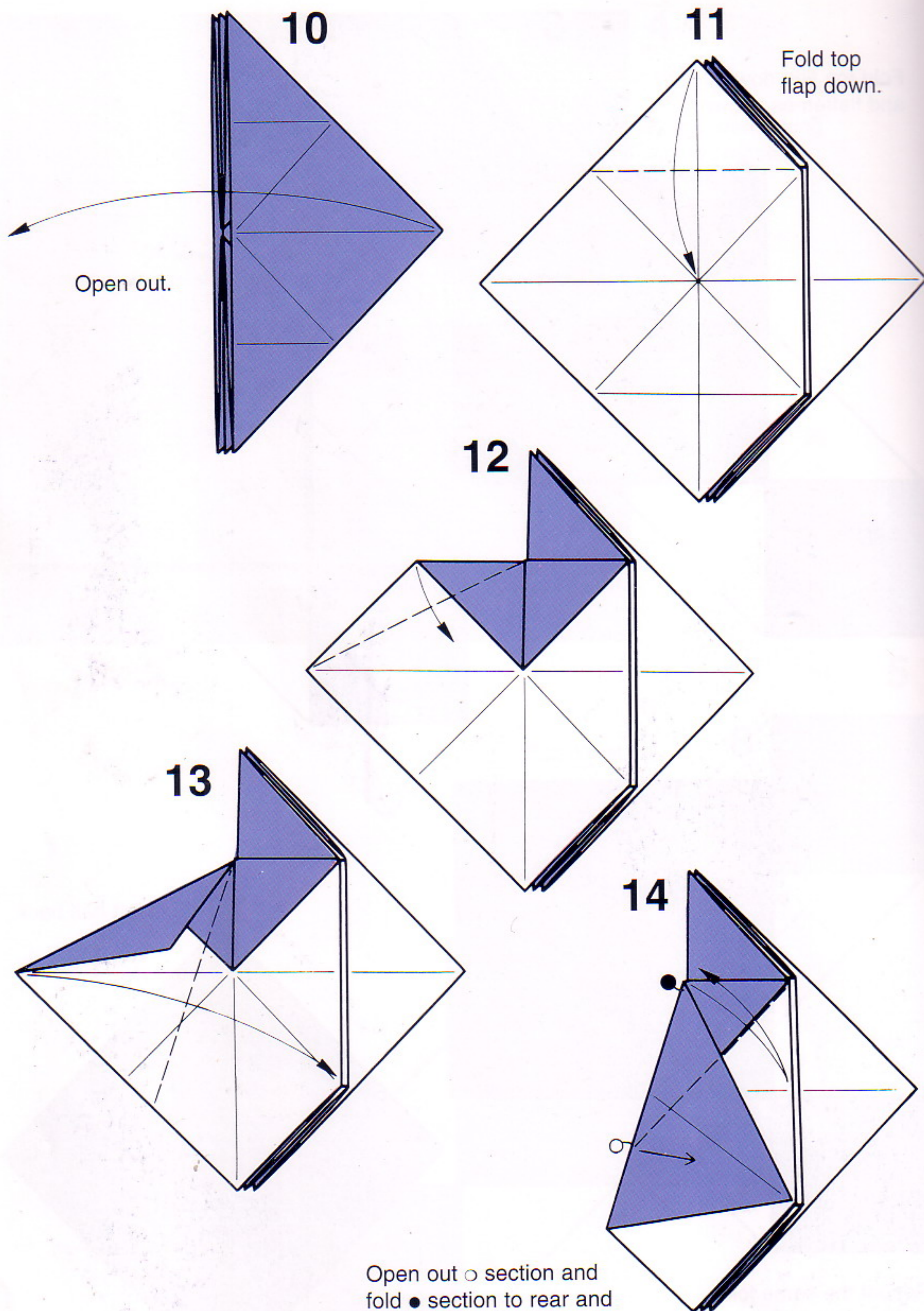


Repeat the same folds  
on the other side.

9 Fold left half back.







Open out.

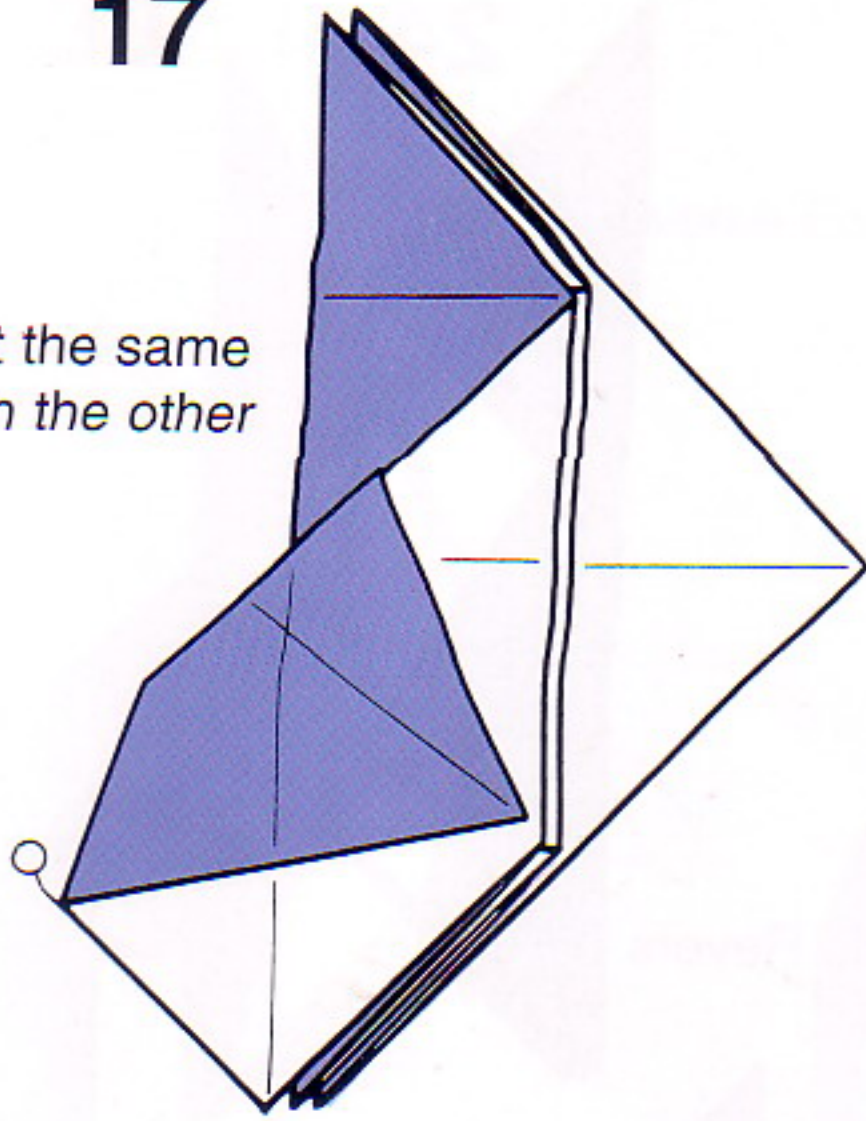
Fold top flap down.

Open out ○ section and fold ● section to rear and inside along the crease as steps 15 & 16.



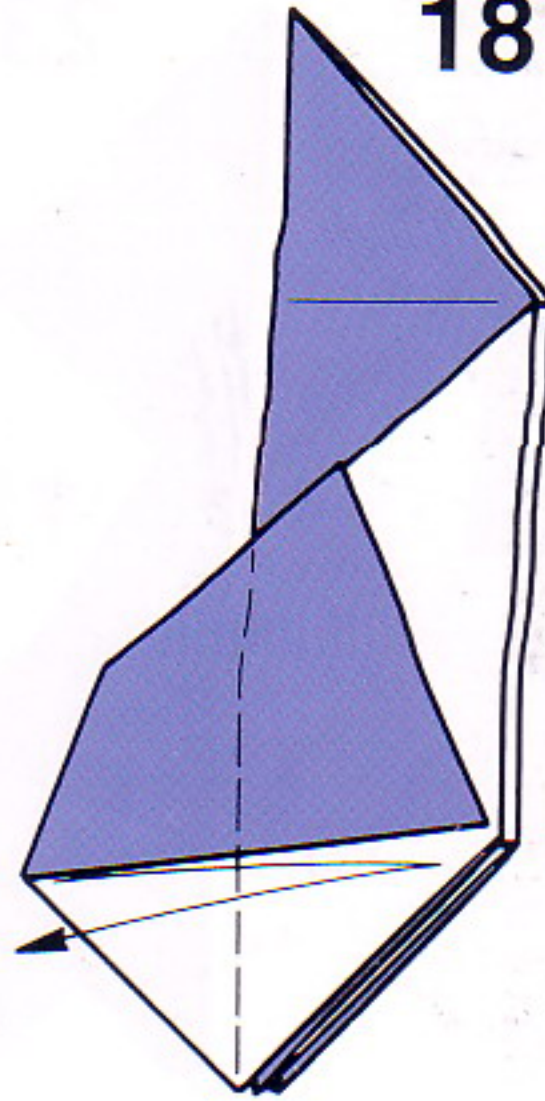
17

Repeat the same folds on the other side.



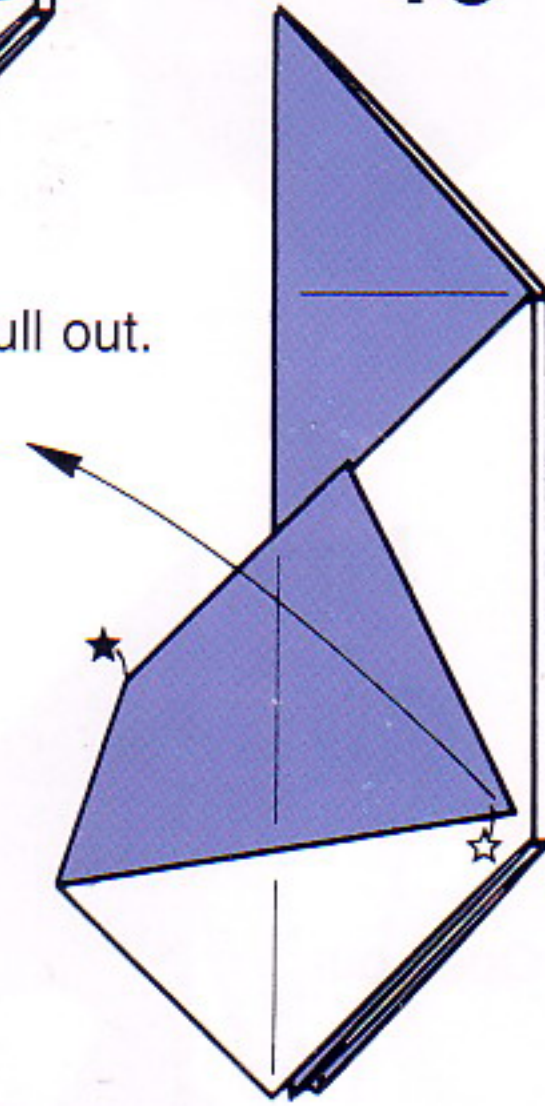
18

Make a crease.



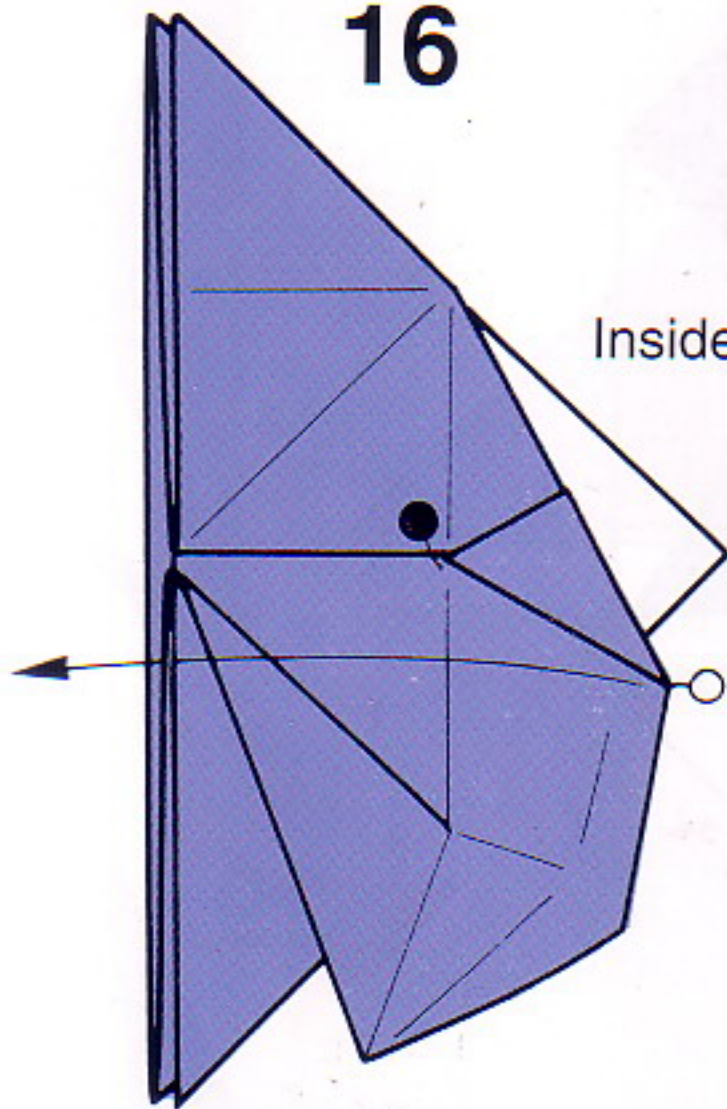
19

Pull out.

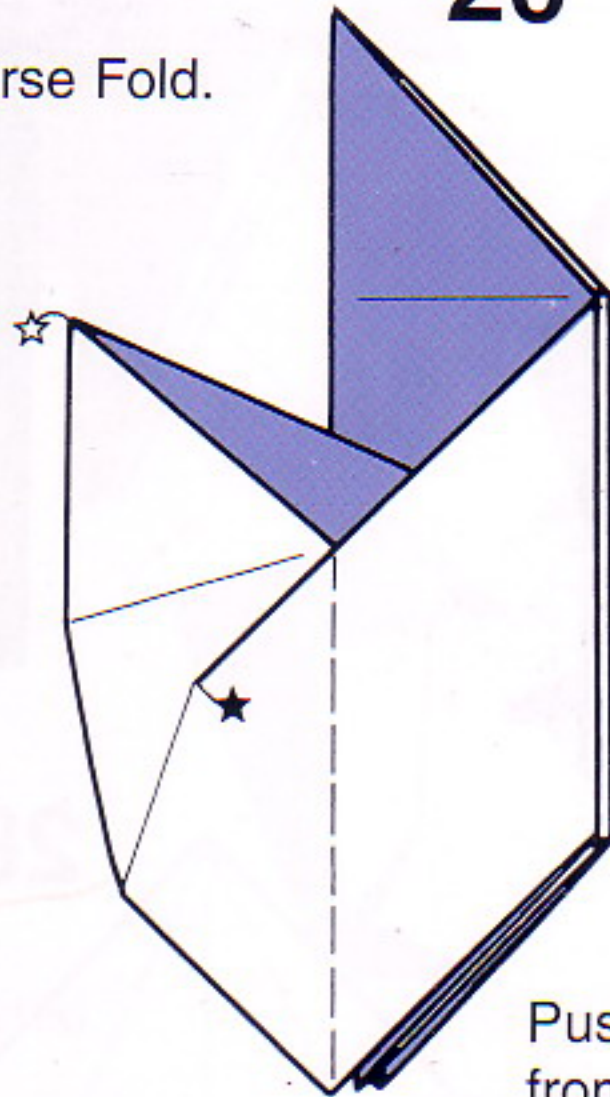


16

Inside Reverse Fold.

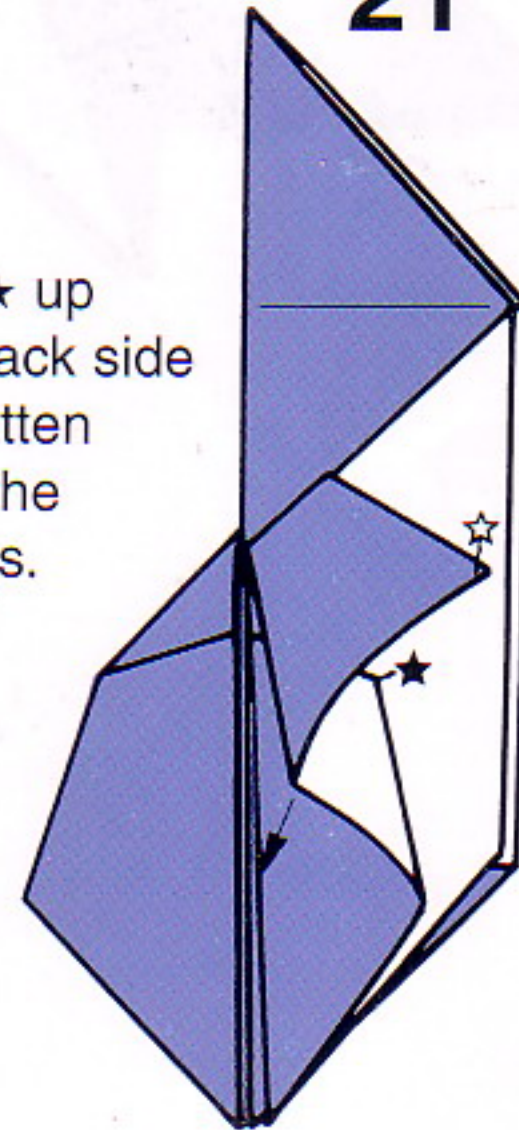


20



21

Push ★ up from back side and flatten along the creases.



15

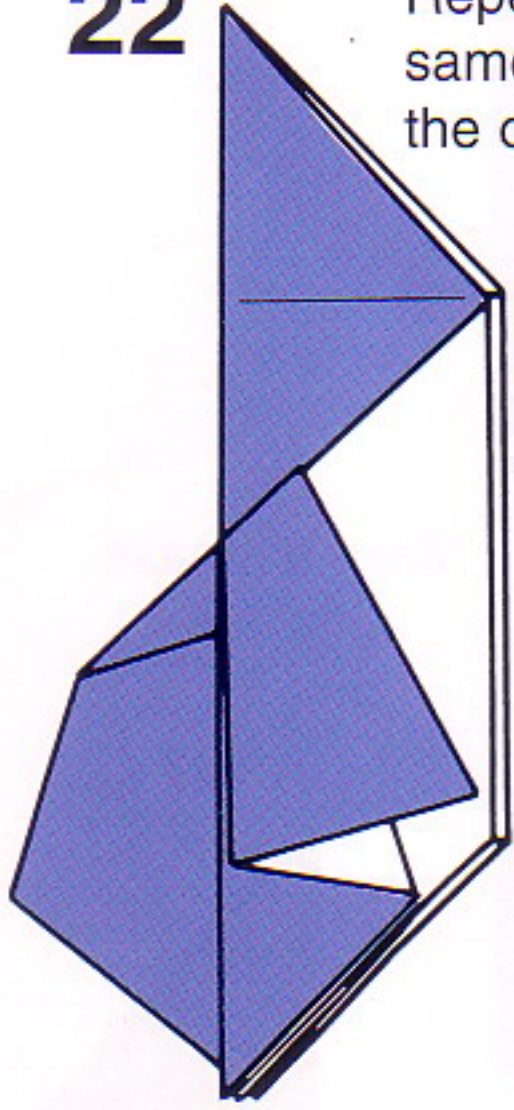
Open out.



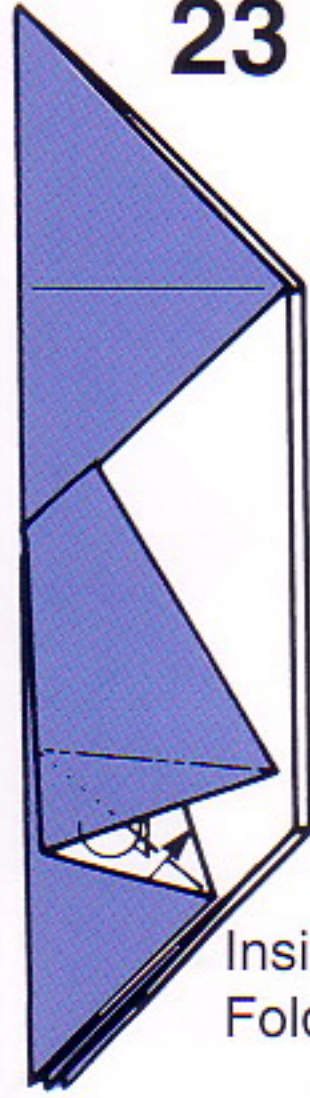


22

Repeat the same folds on the other side.

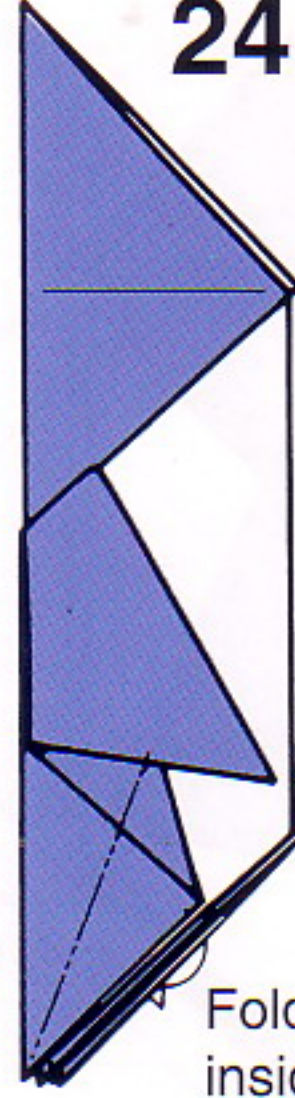


23



Inside Revers Fold.

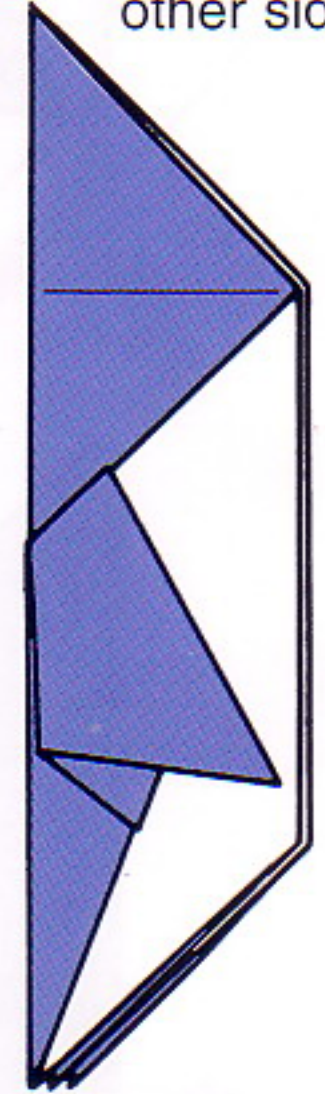
24



Fold inside.

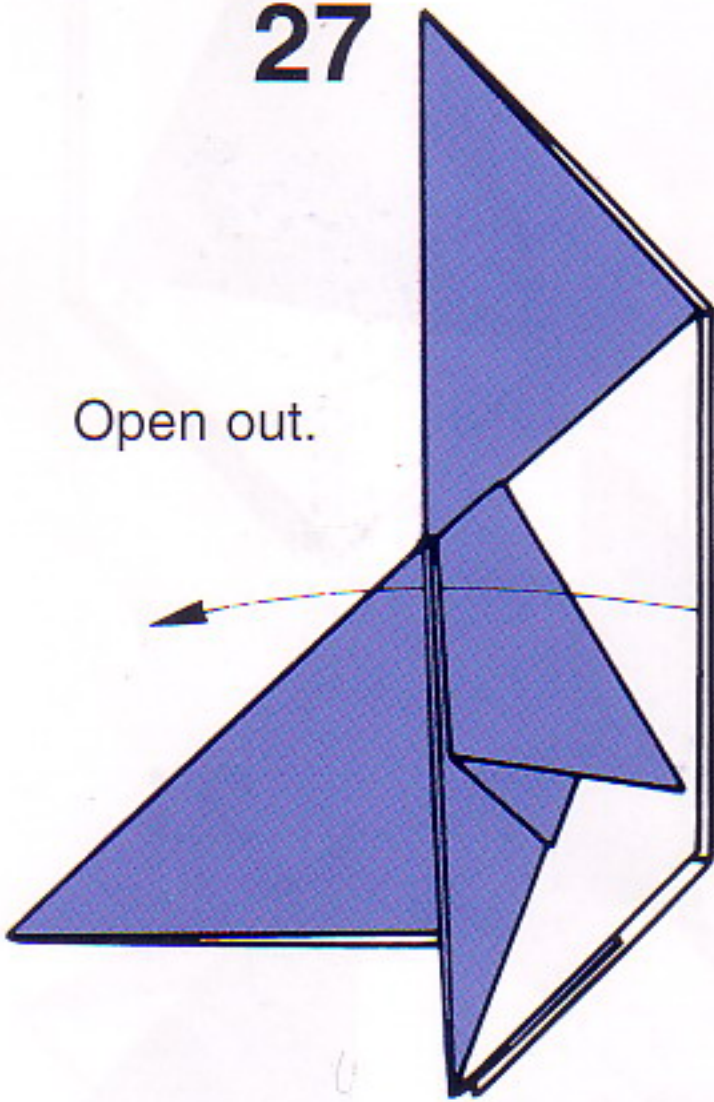
Repeat the same folds on the other side.

25



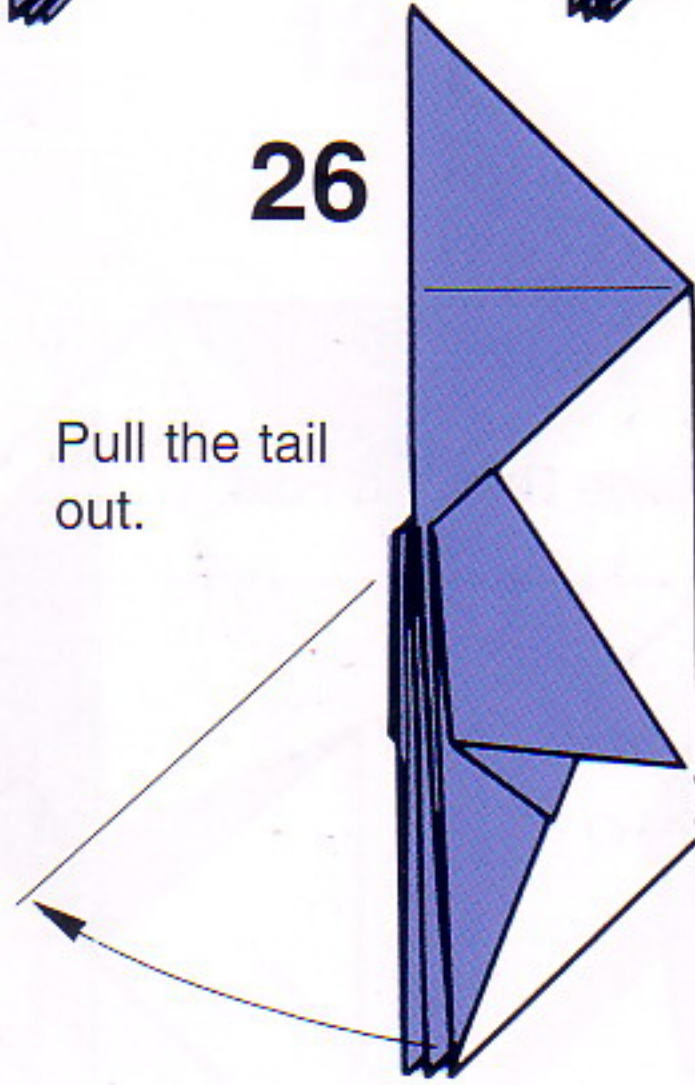
27

Open out.

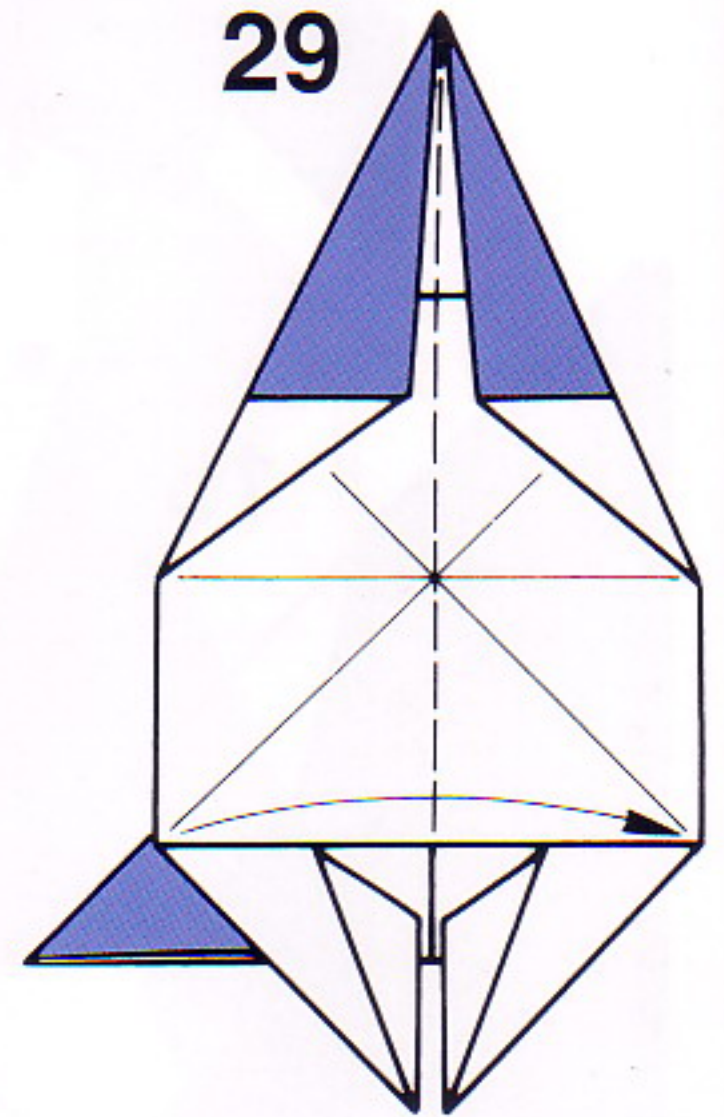


26

Pull the tail out.

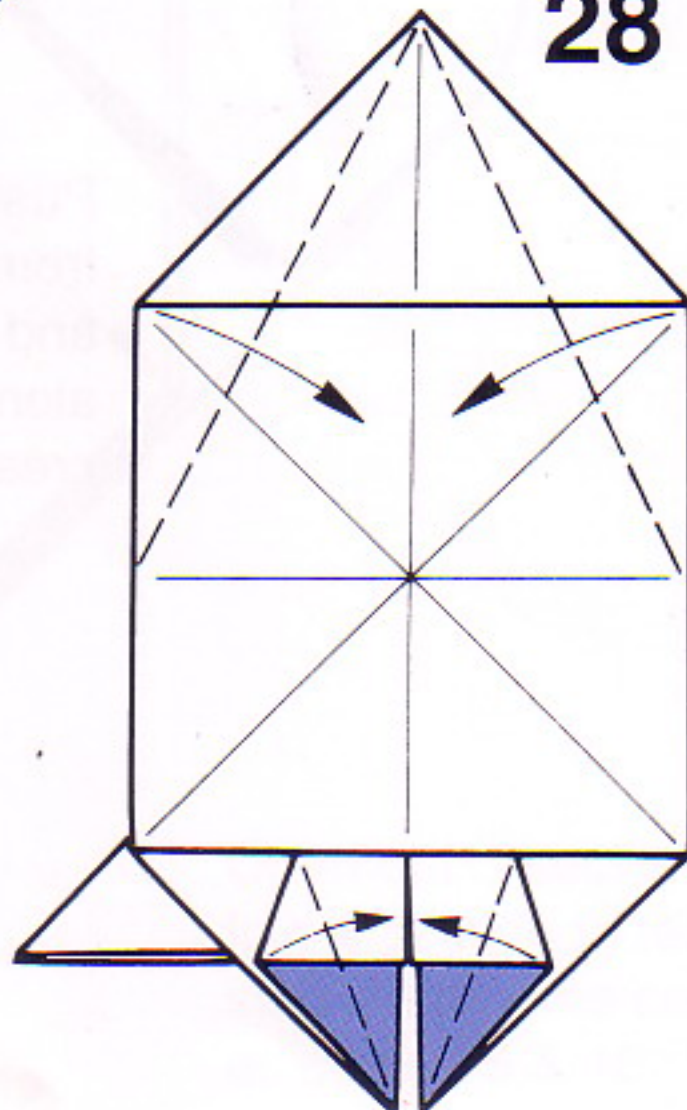


29



28

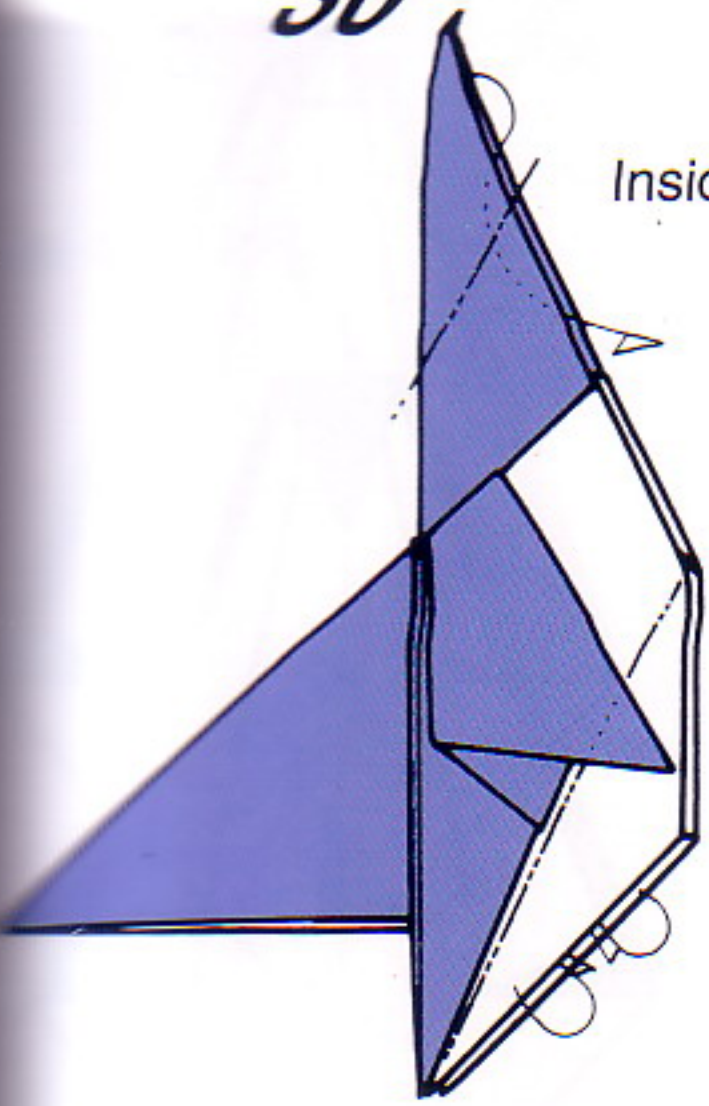
Fold in.





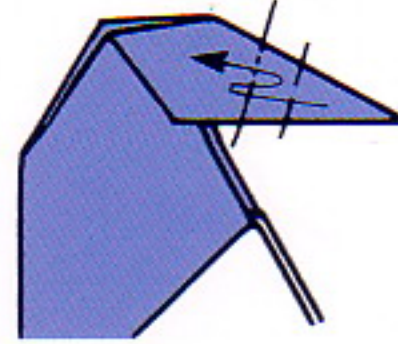
**30**

Inside Reverse Fold.



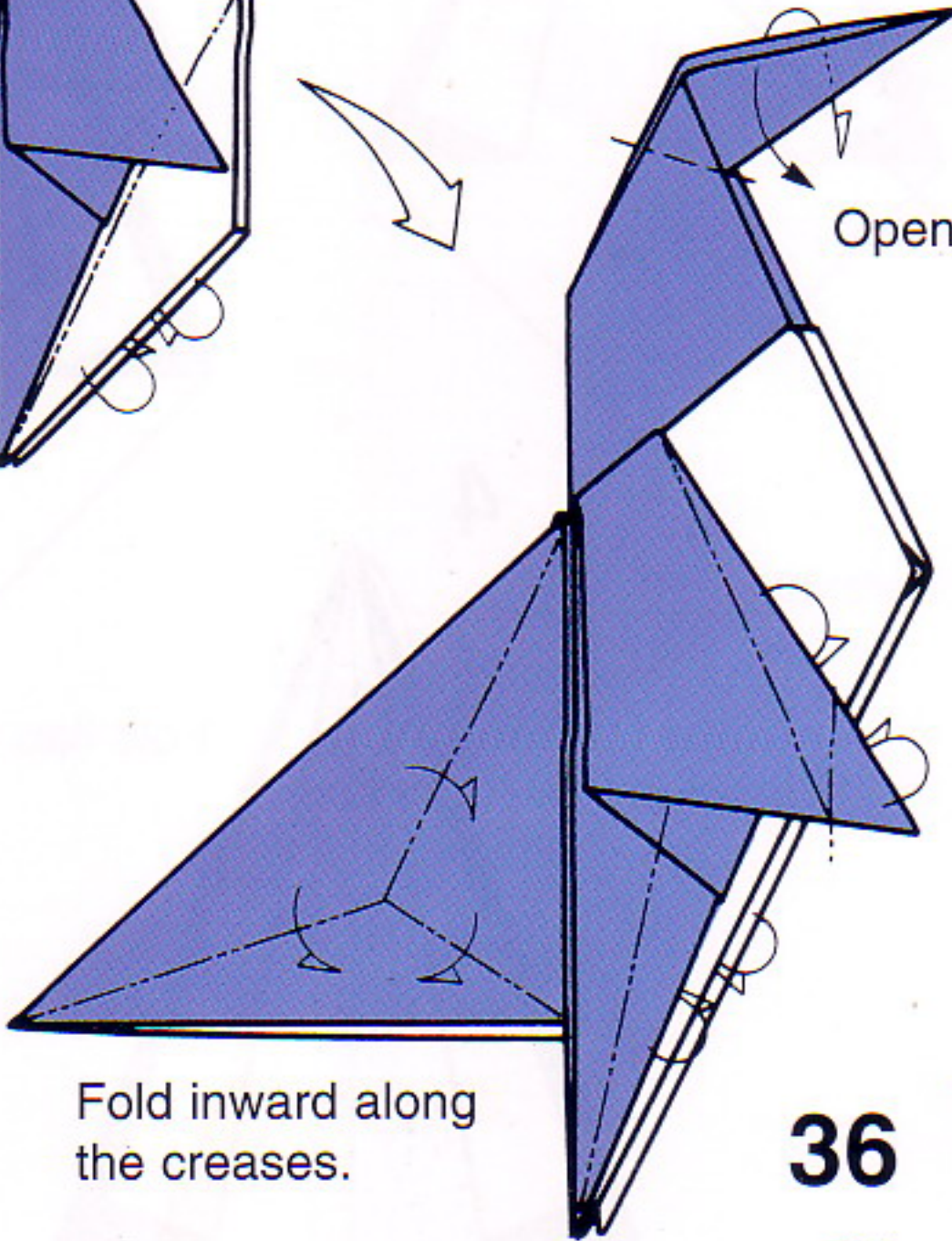
**32**

Stairstep Fold.

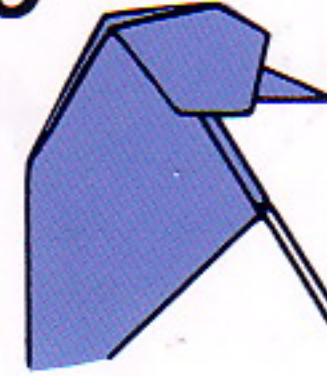


**31**

Open out.



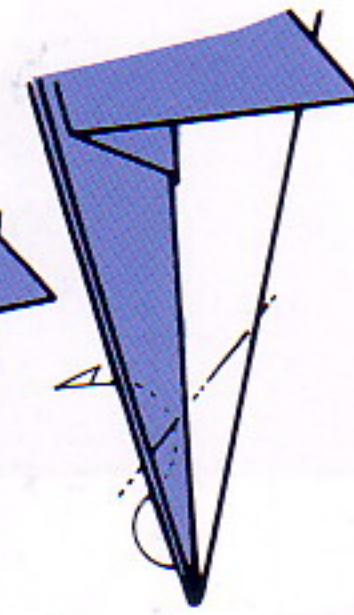
**33**



Fold inward along the creases.

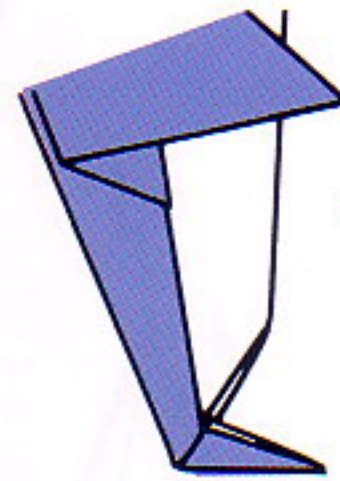
**34**

**35**

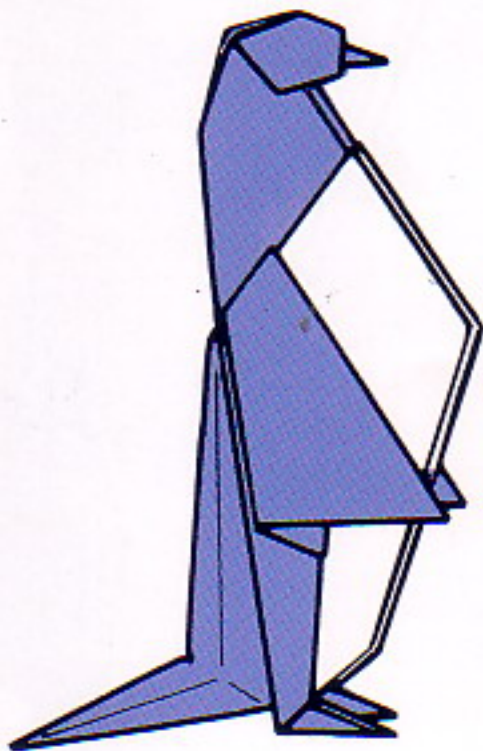


**36**

Two Inside Reverse Folds to form feet.

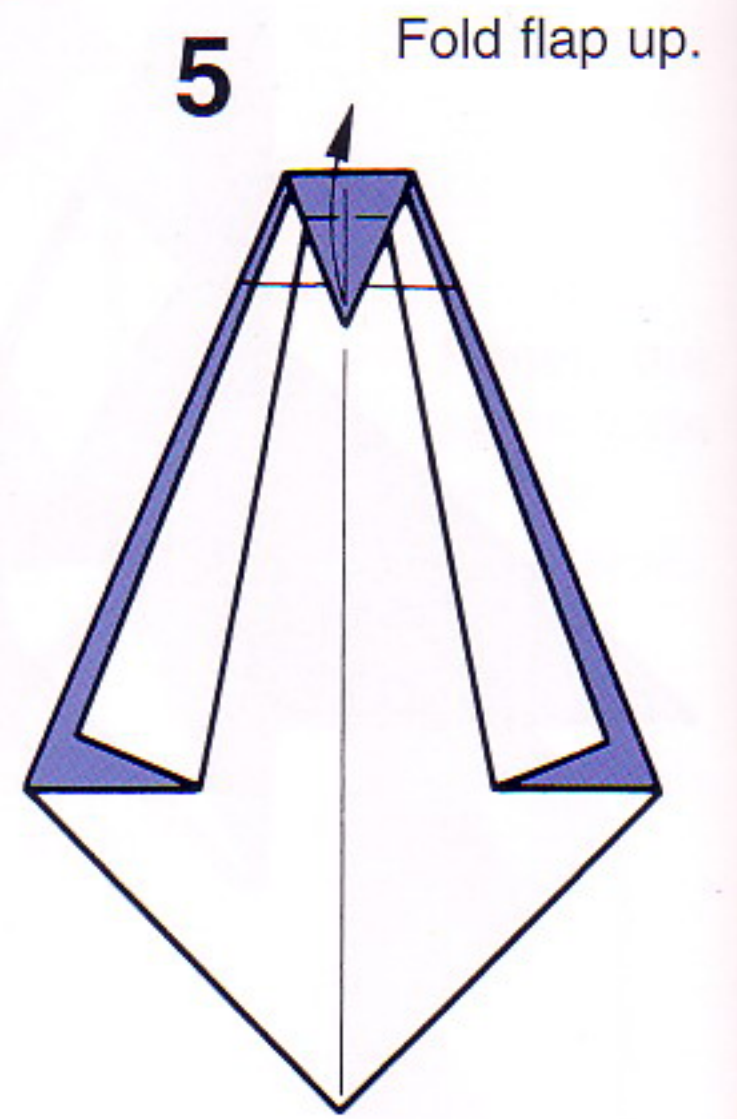
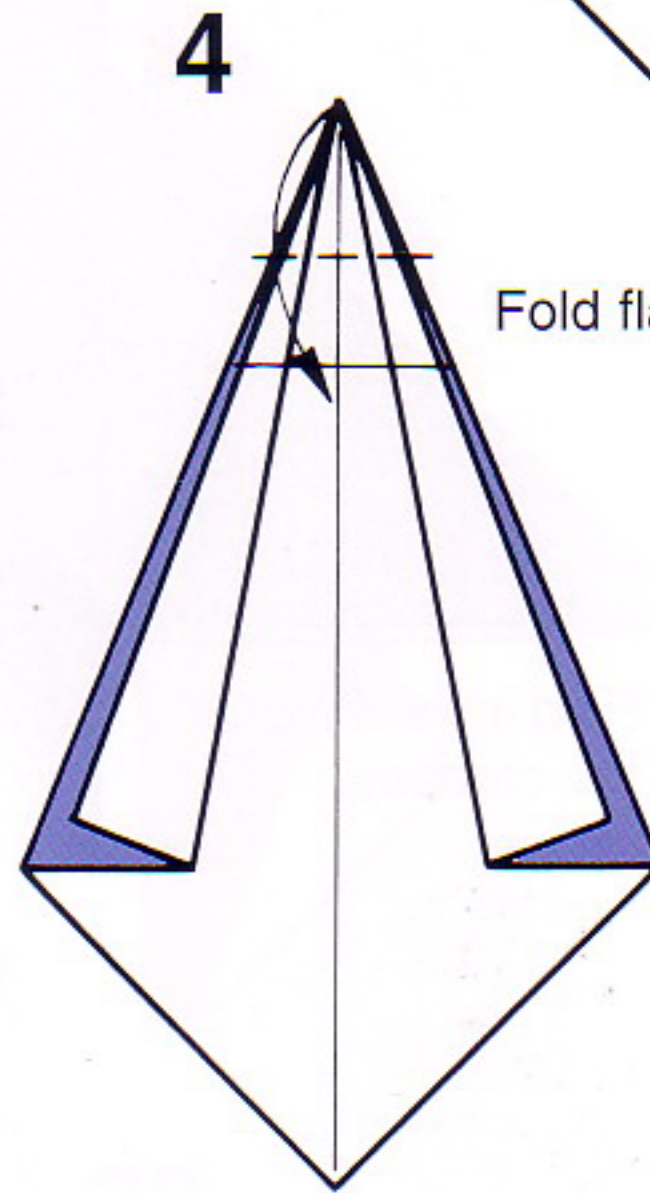
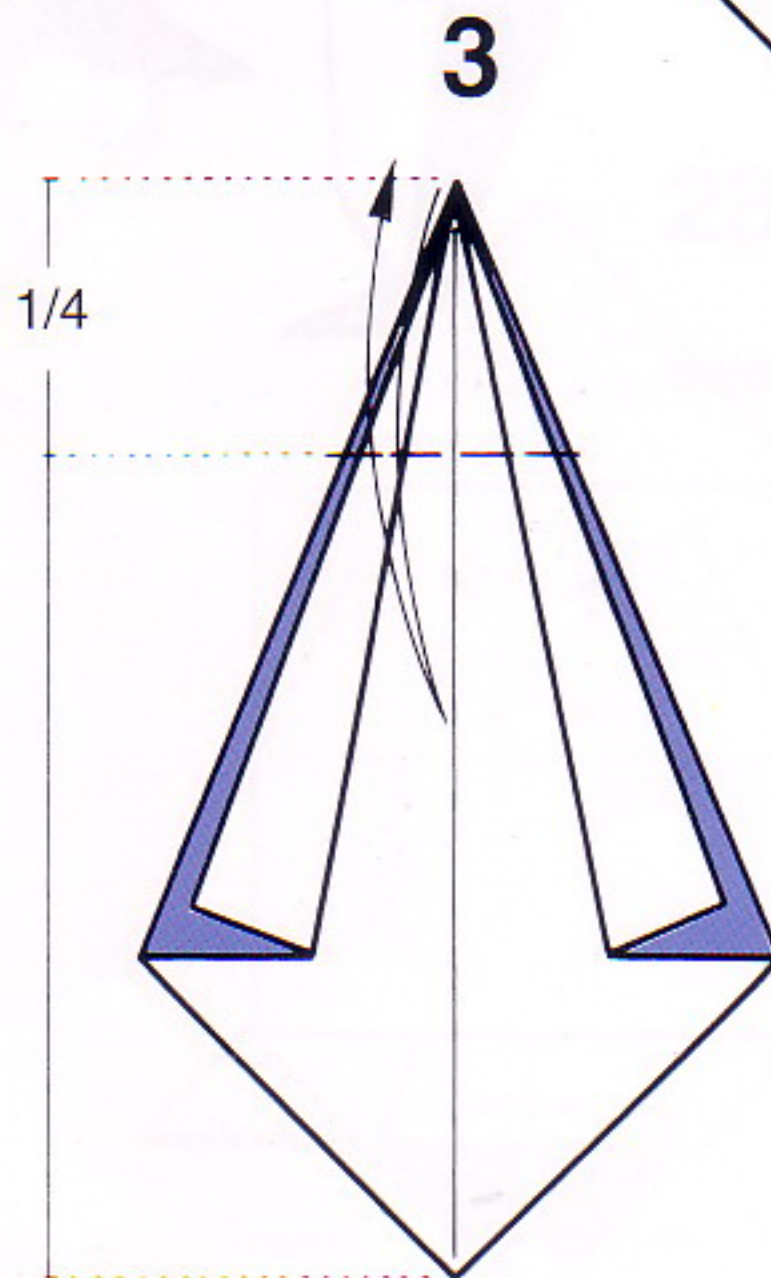
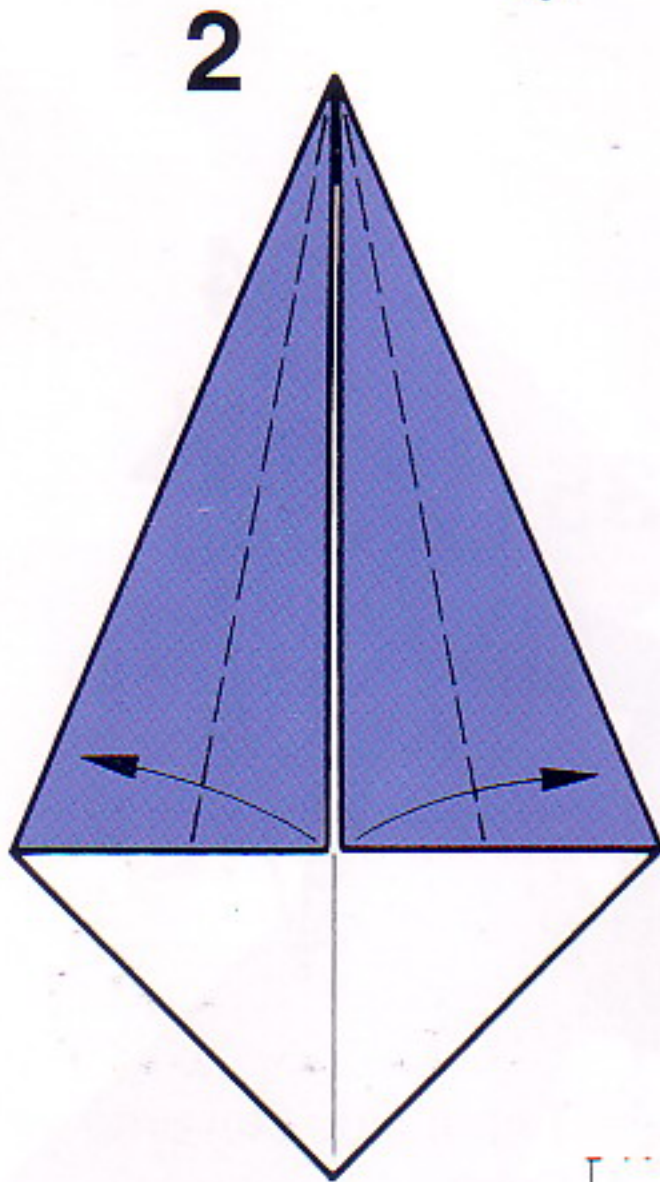
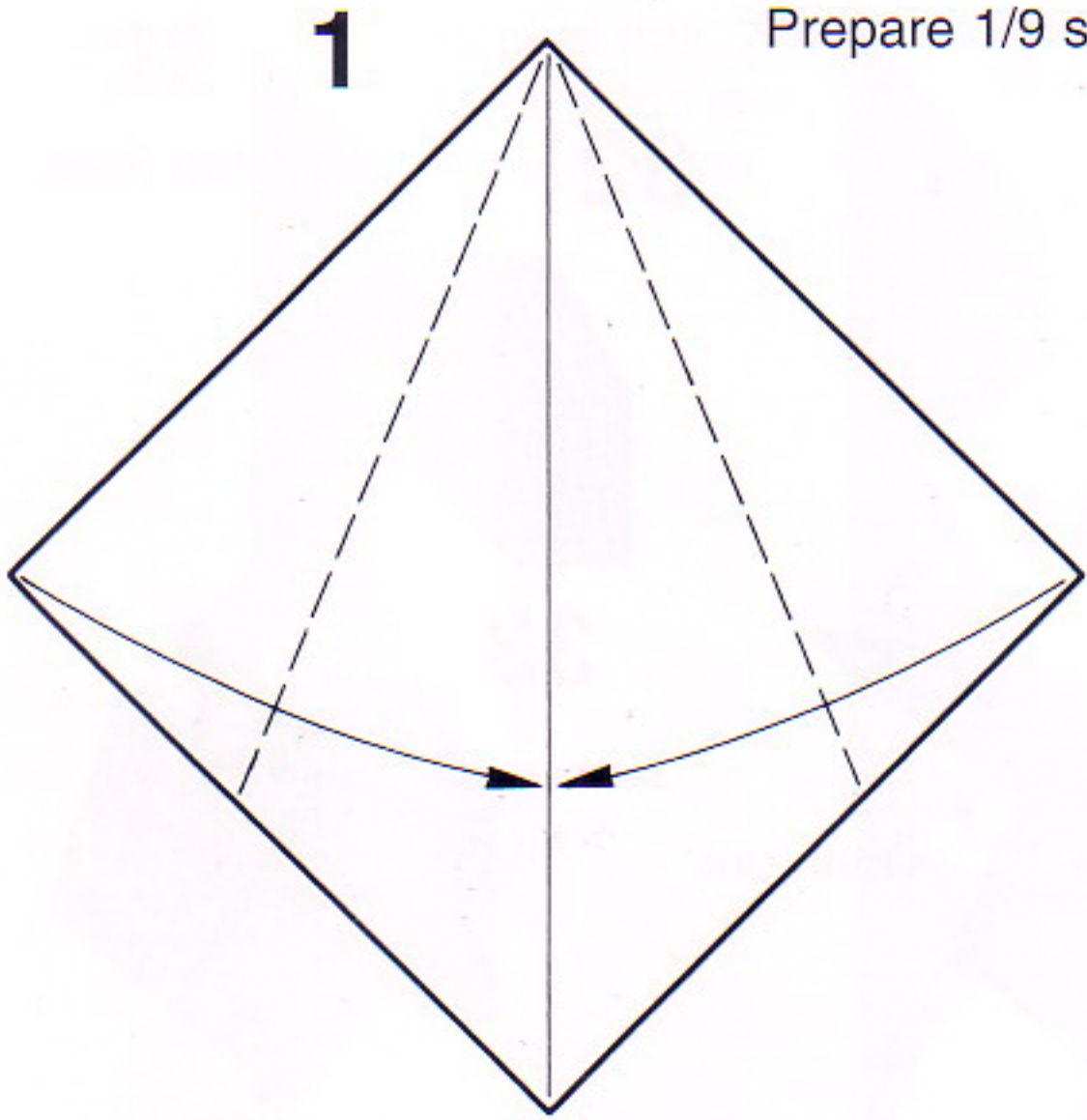


Mother penguin completed.



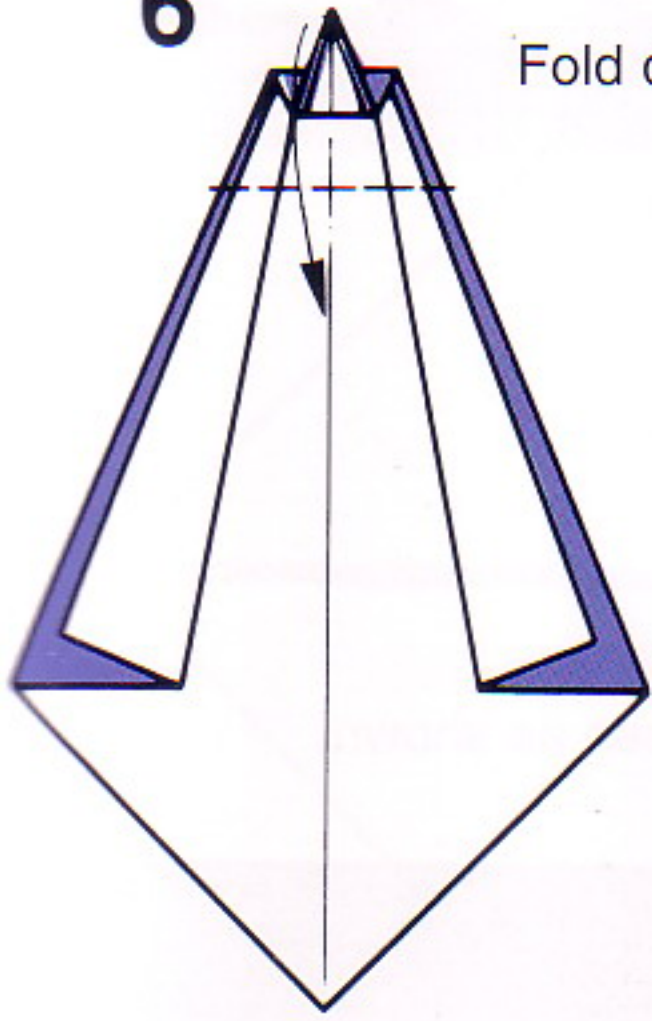


Prepare 1/9 size sheet for the child penguin.



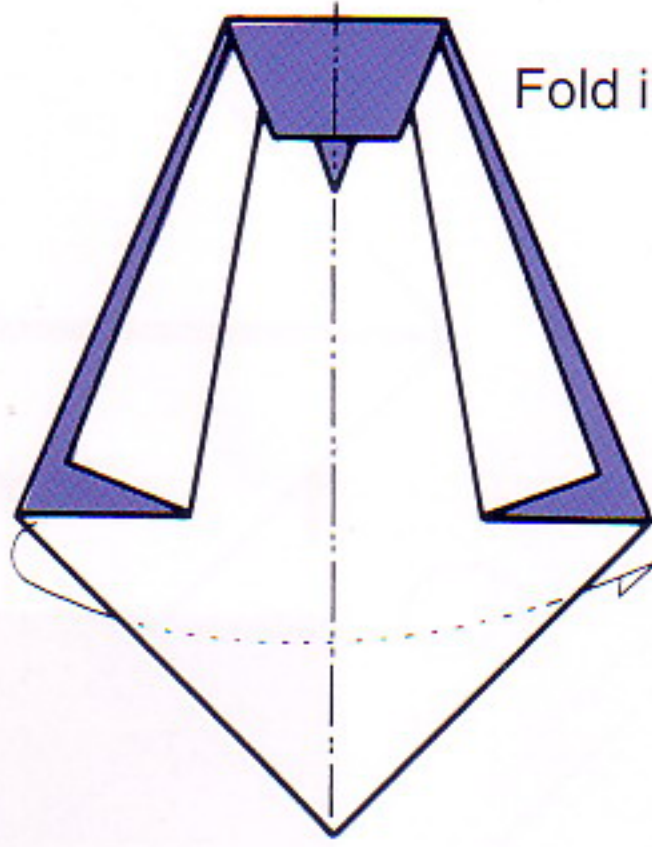


6



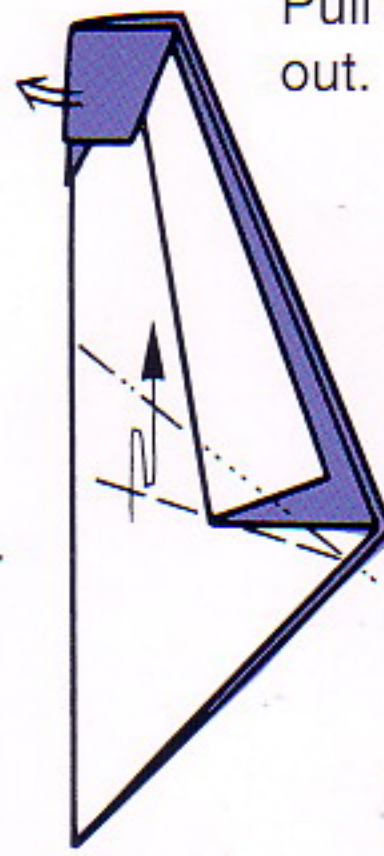
Fold down.

7



Fold in half.

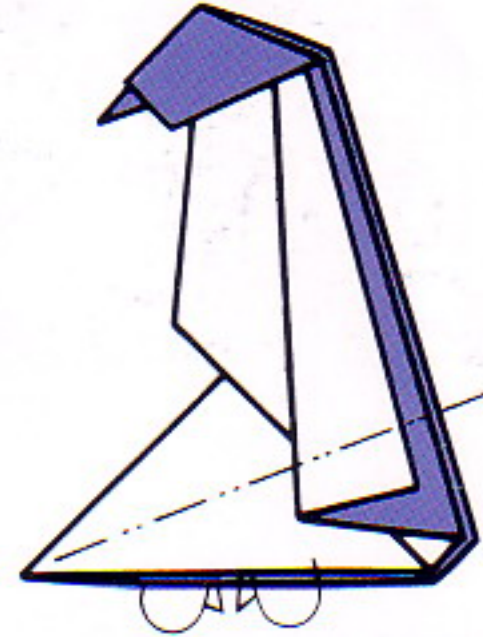
8



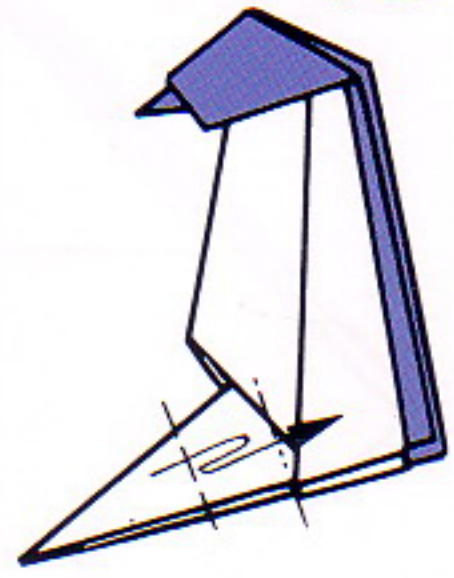
Pull the head out.

Stairstep Fold.

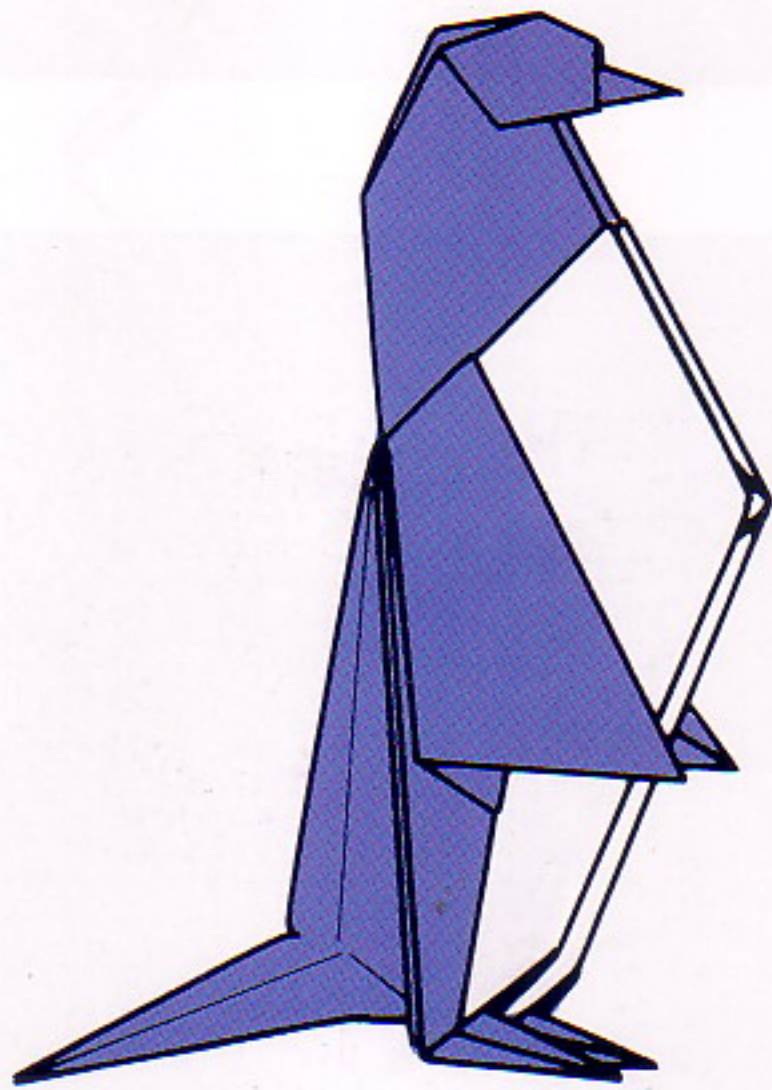
9



10



Another Stairstep Fold.



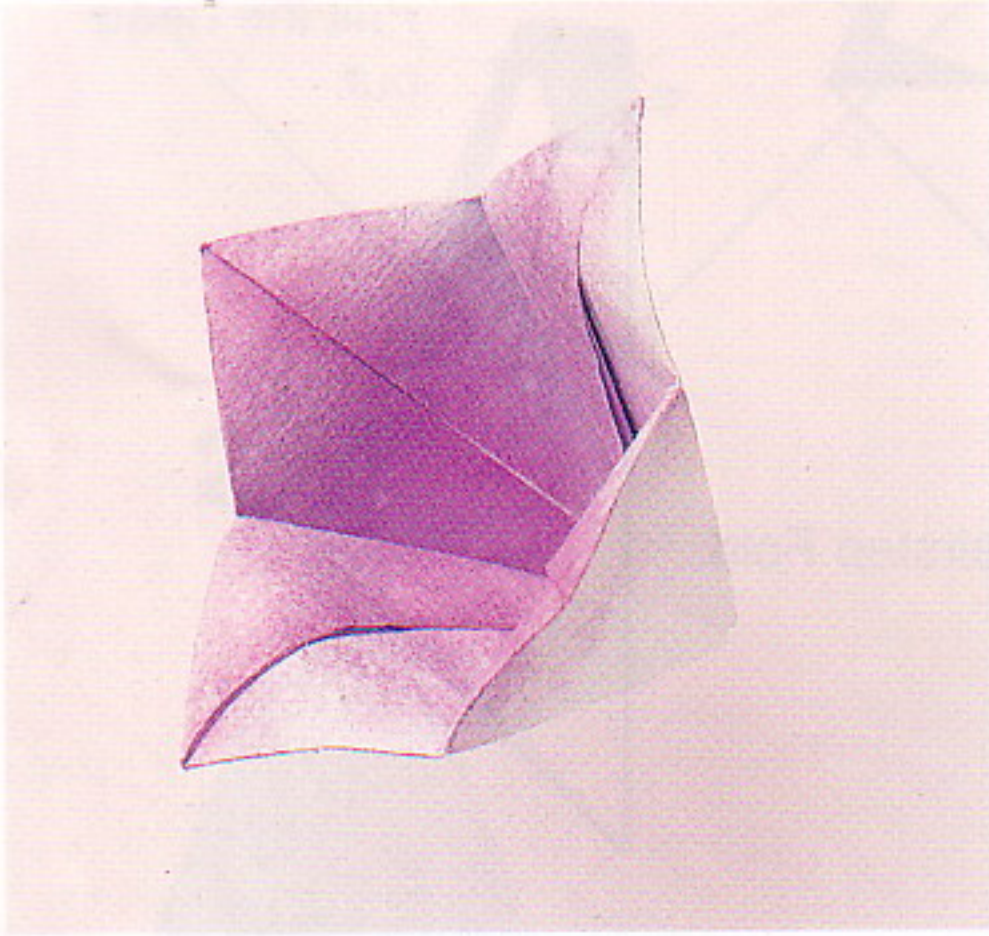
Child penguin completed.





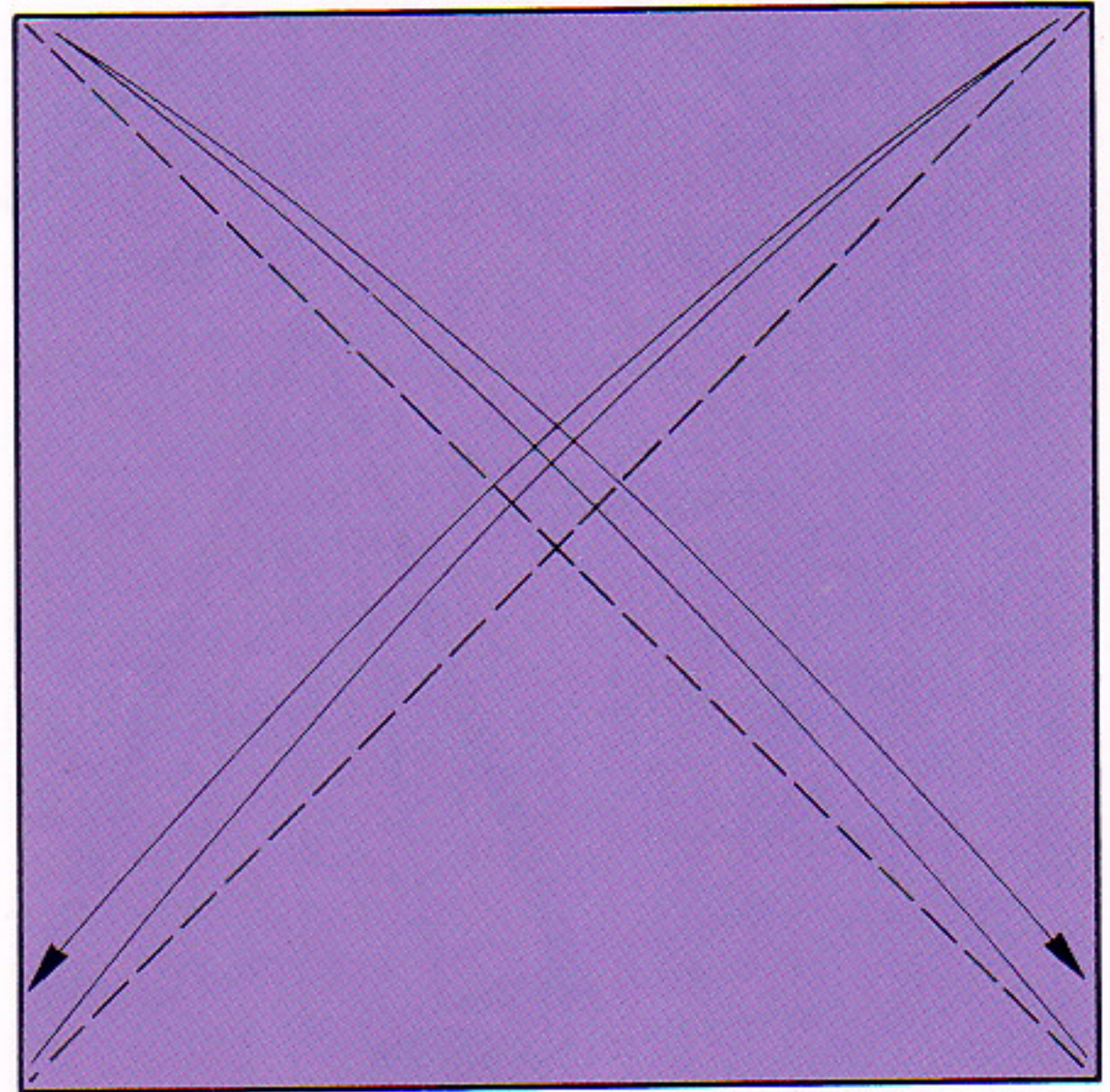
# IN THE GARDEN

## CHINESE BELLFLOWER



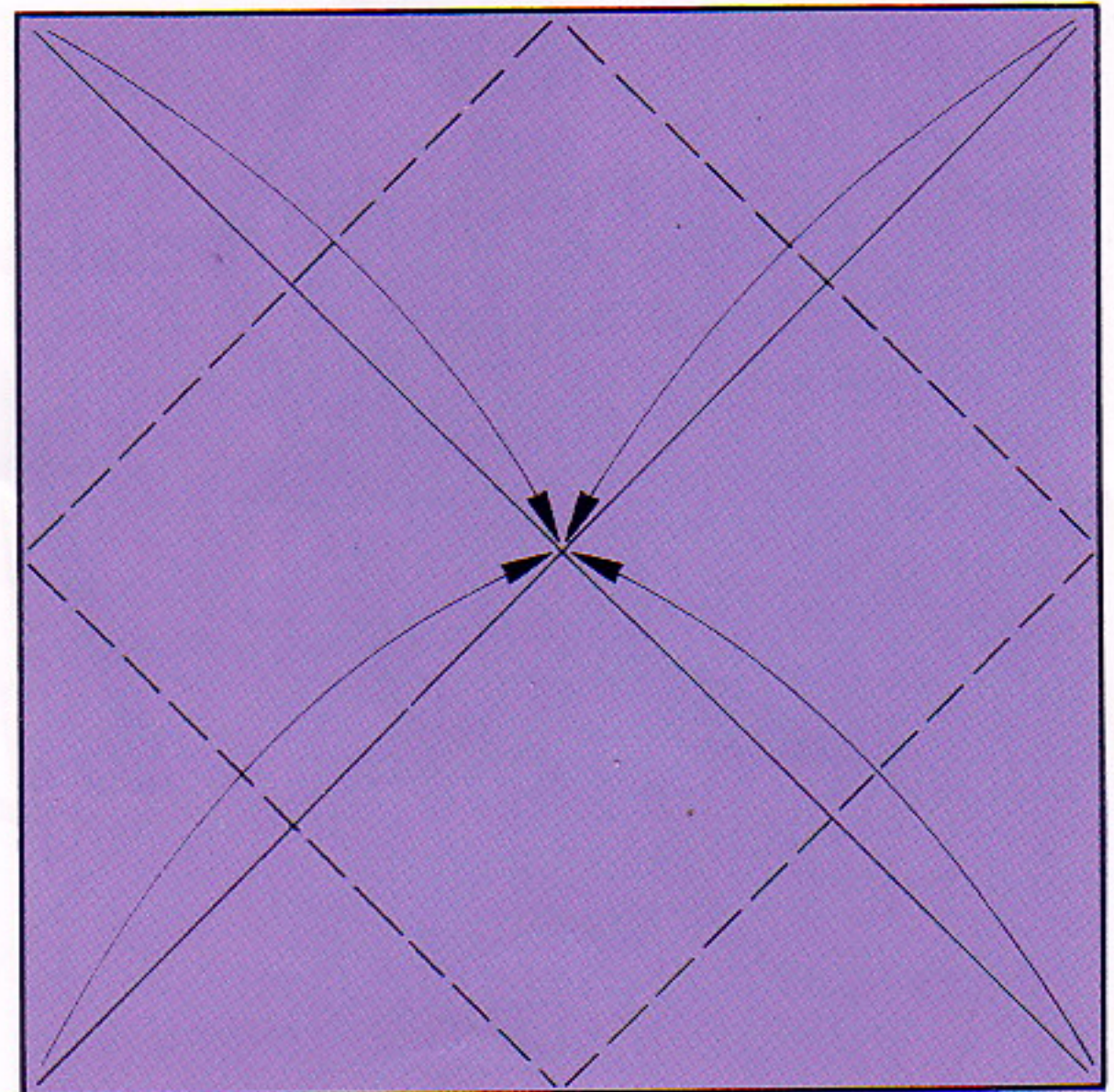
1

Make creases as shown.

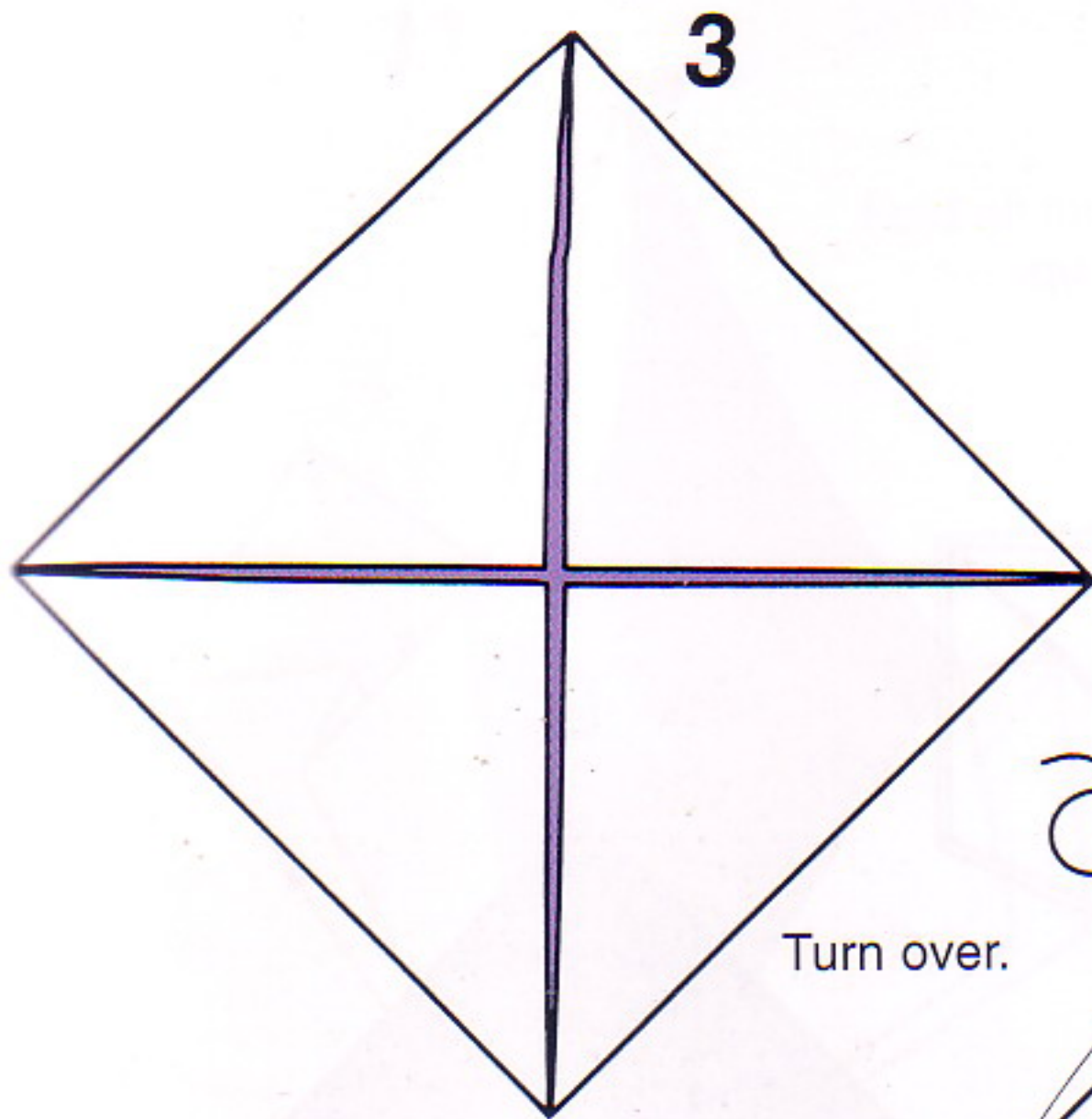


2

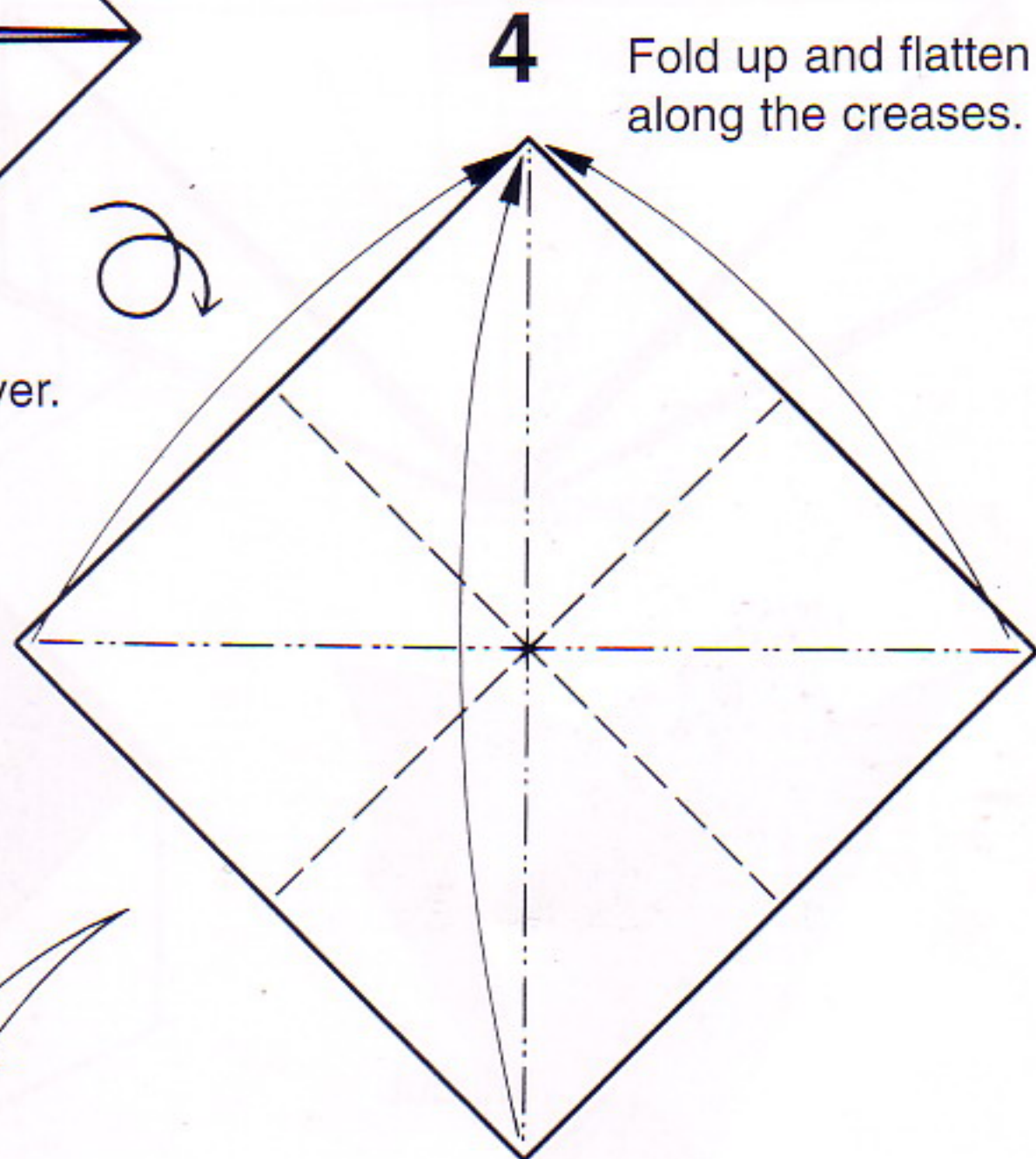
Fold in.



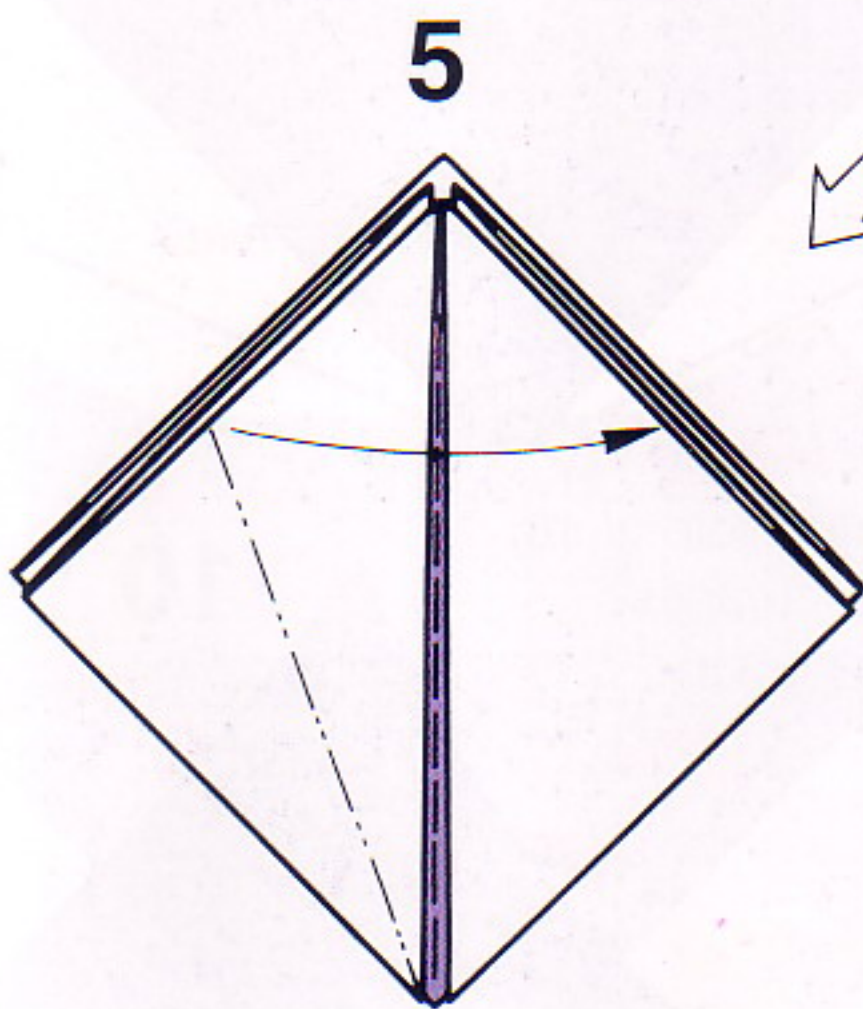




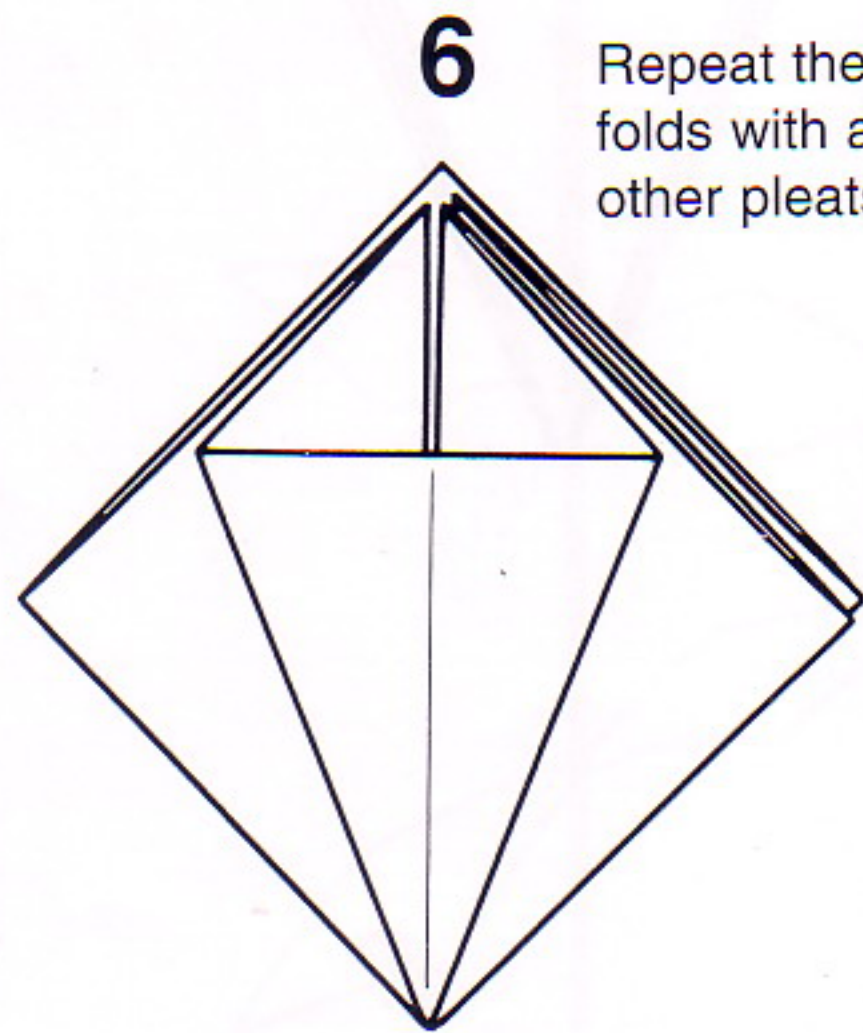
Turn over.



Fold up and flatten along the creases.



Open out and flatten along the crease.

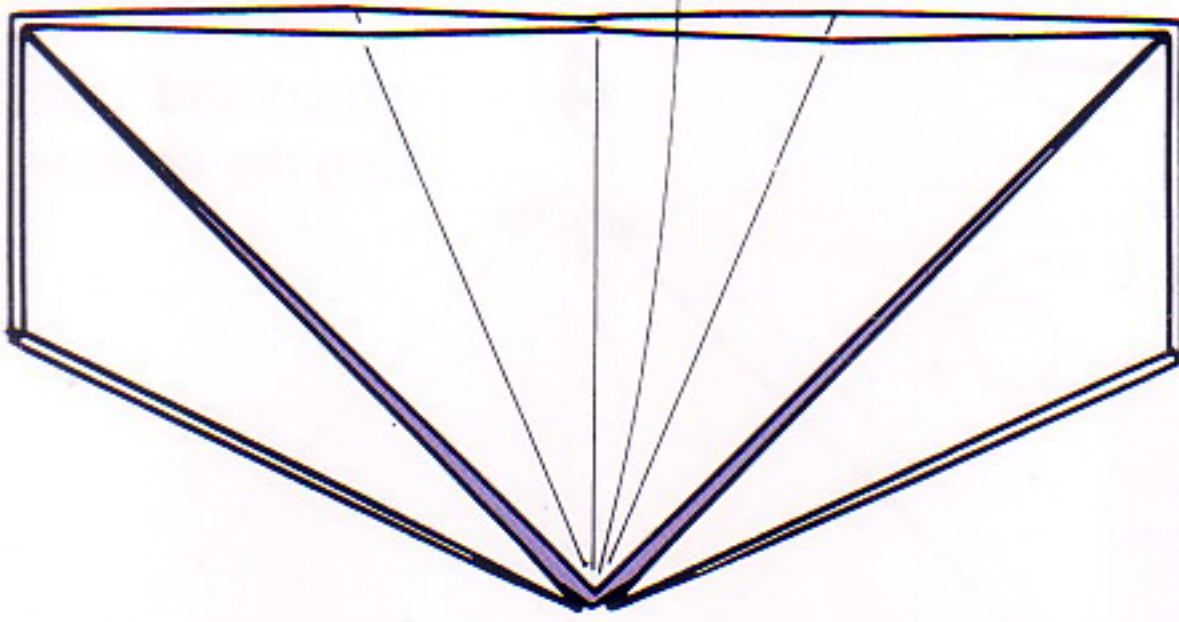


Repeat the same folds with all the other pleats.

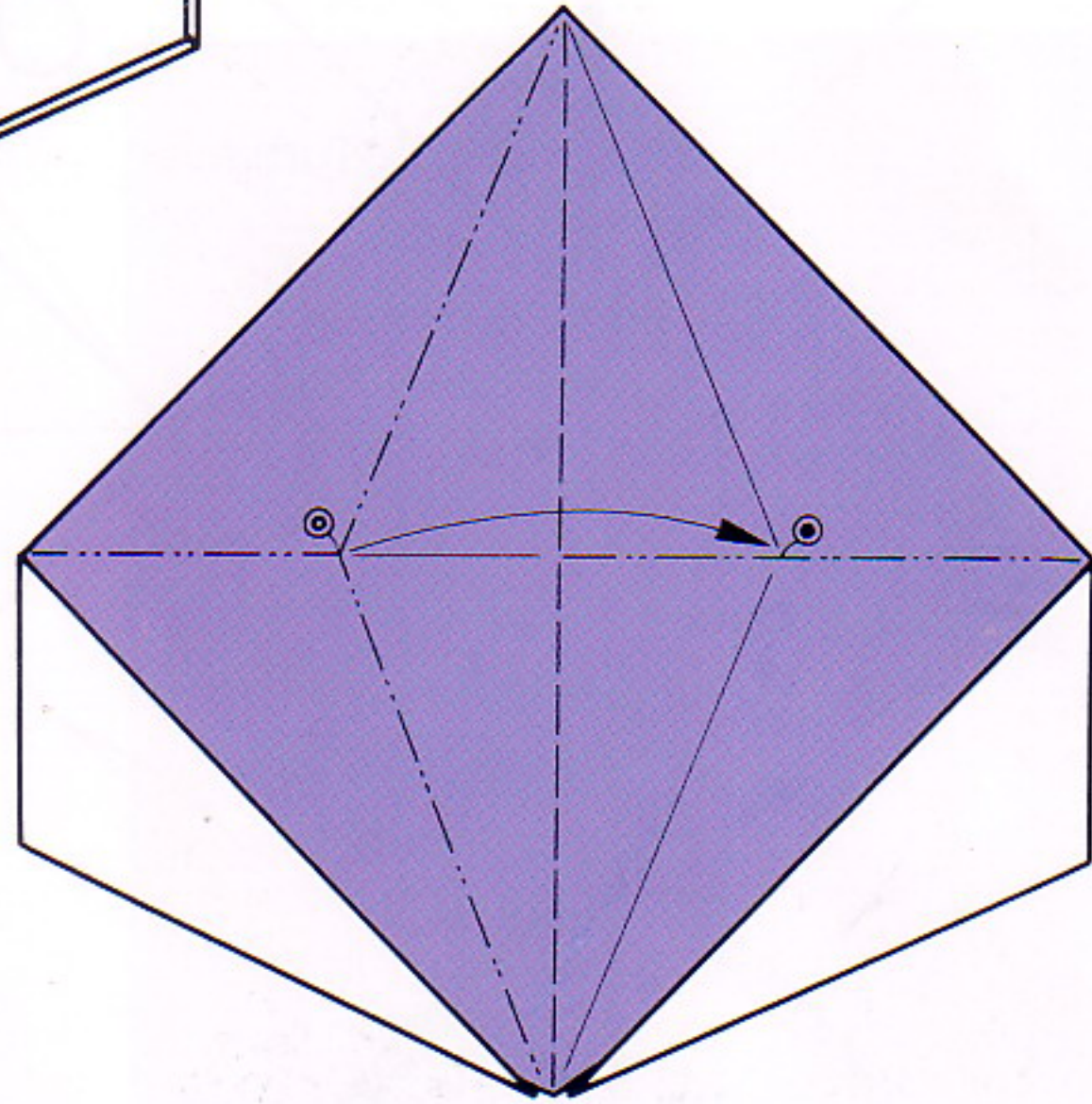


Turn flap up.

8

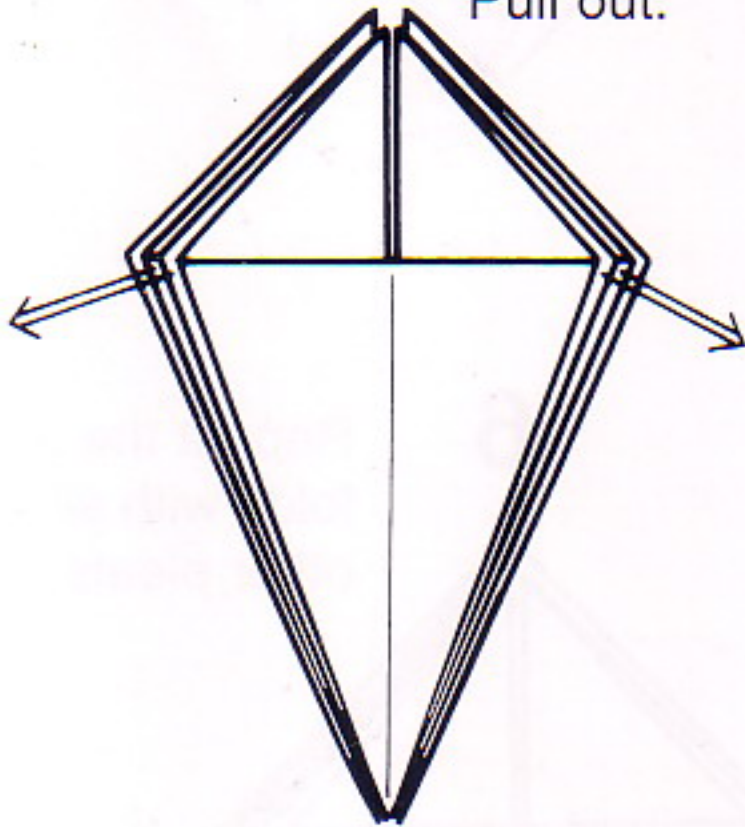


9



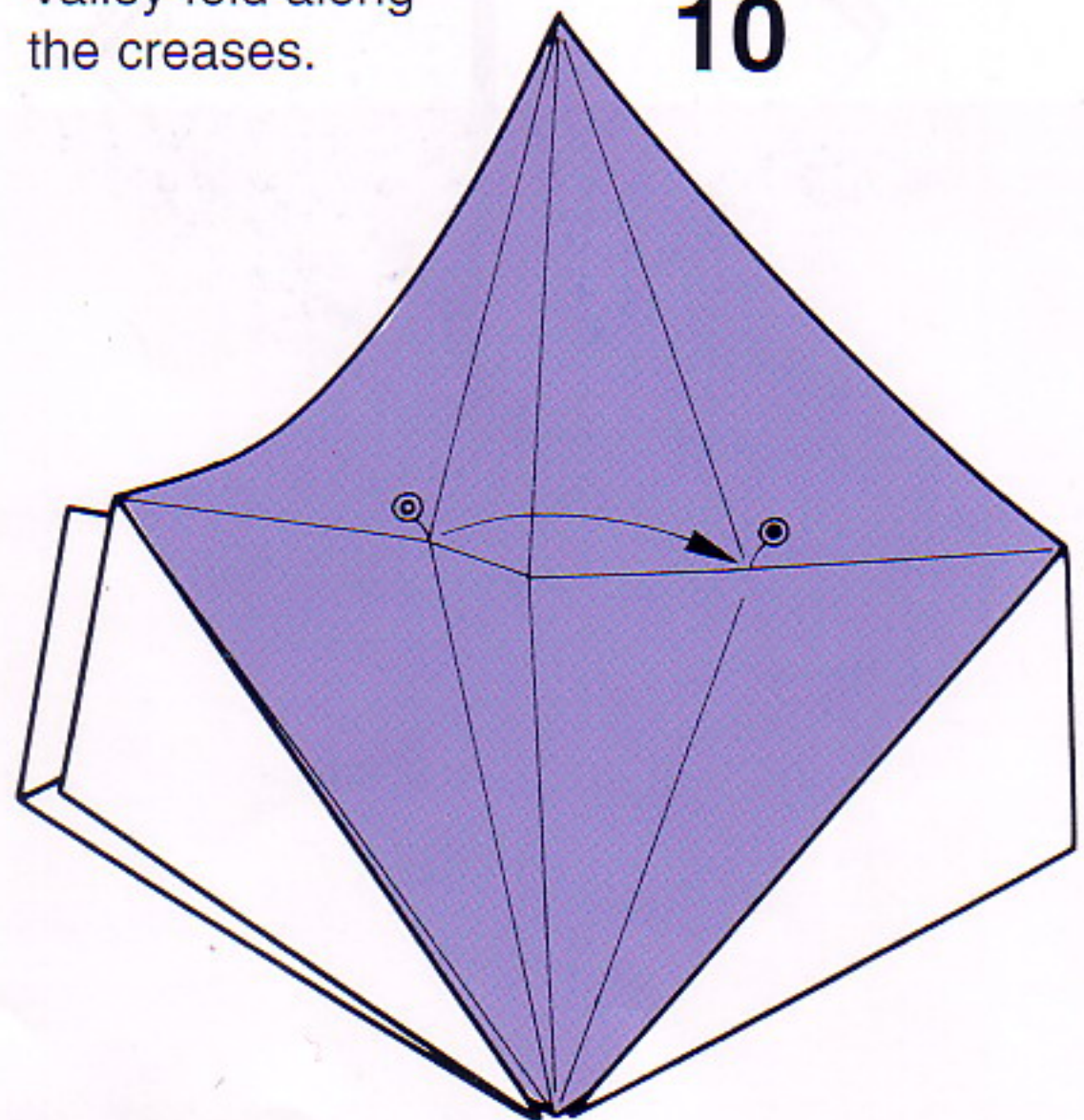
7

Pull out.



Valley fold along the creases.

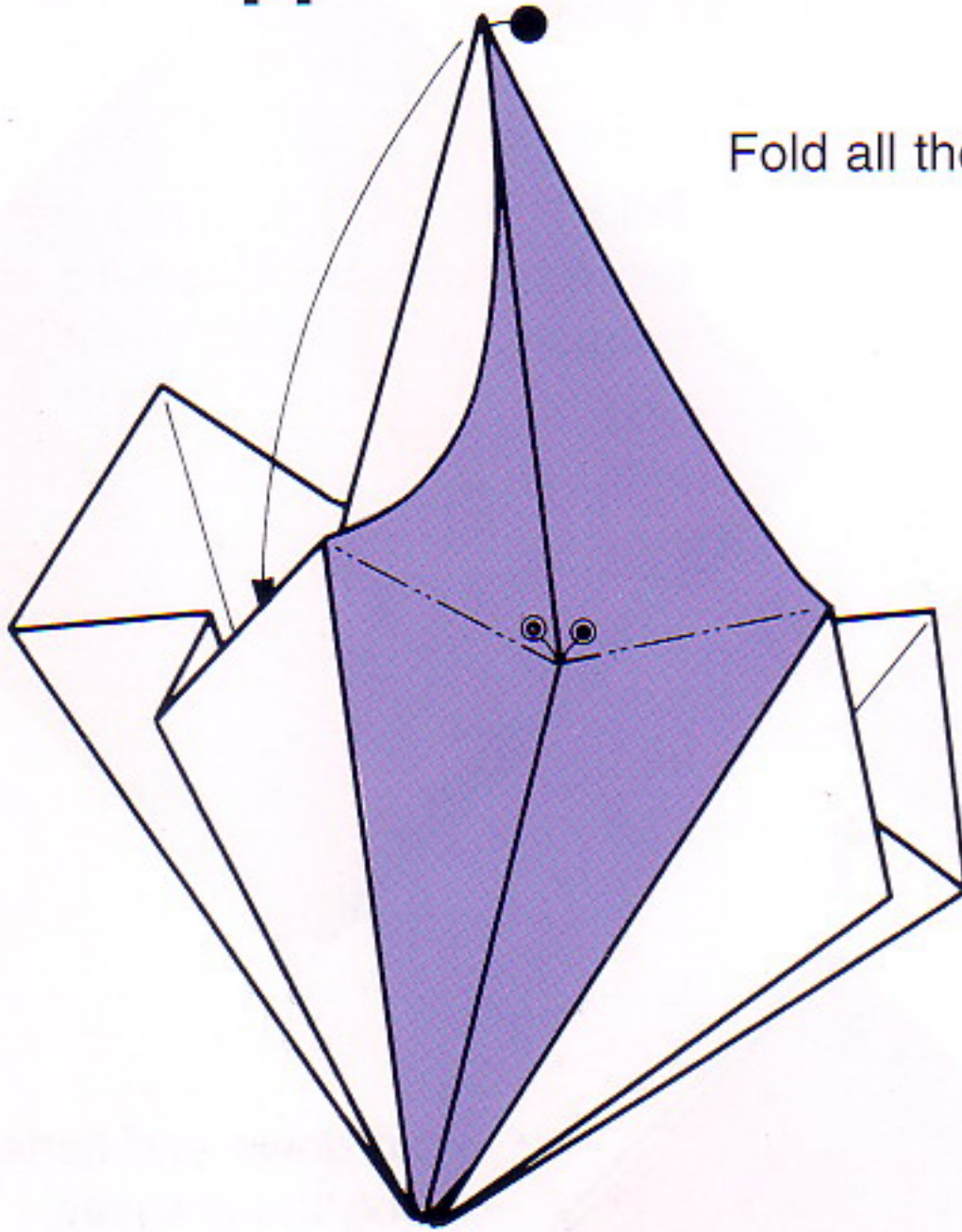
10



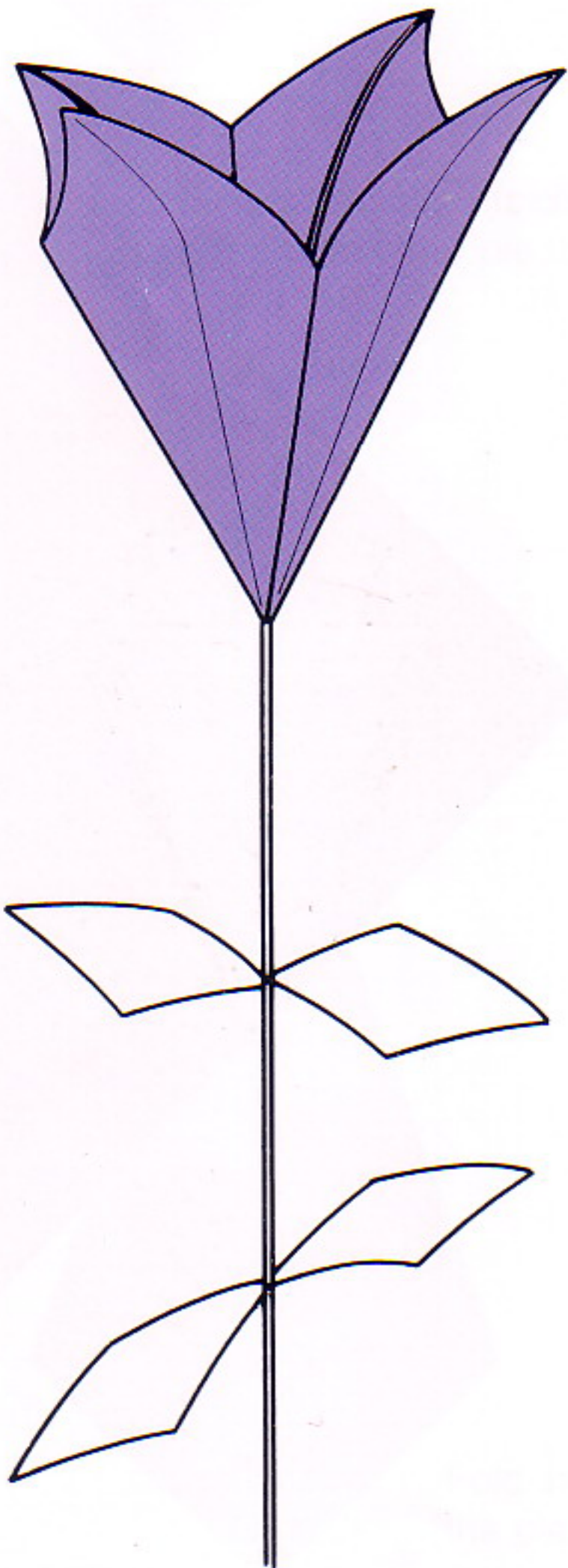


11

Fold all the petals inside.

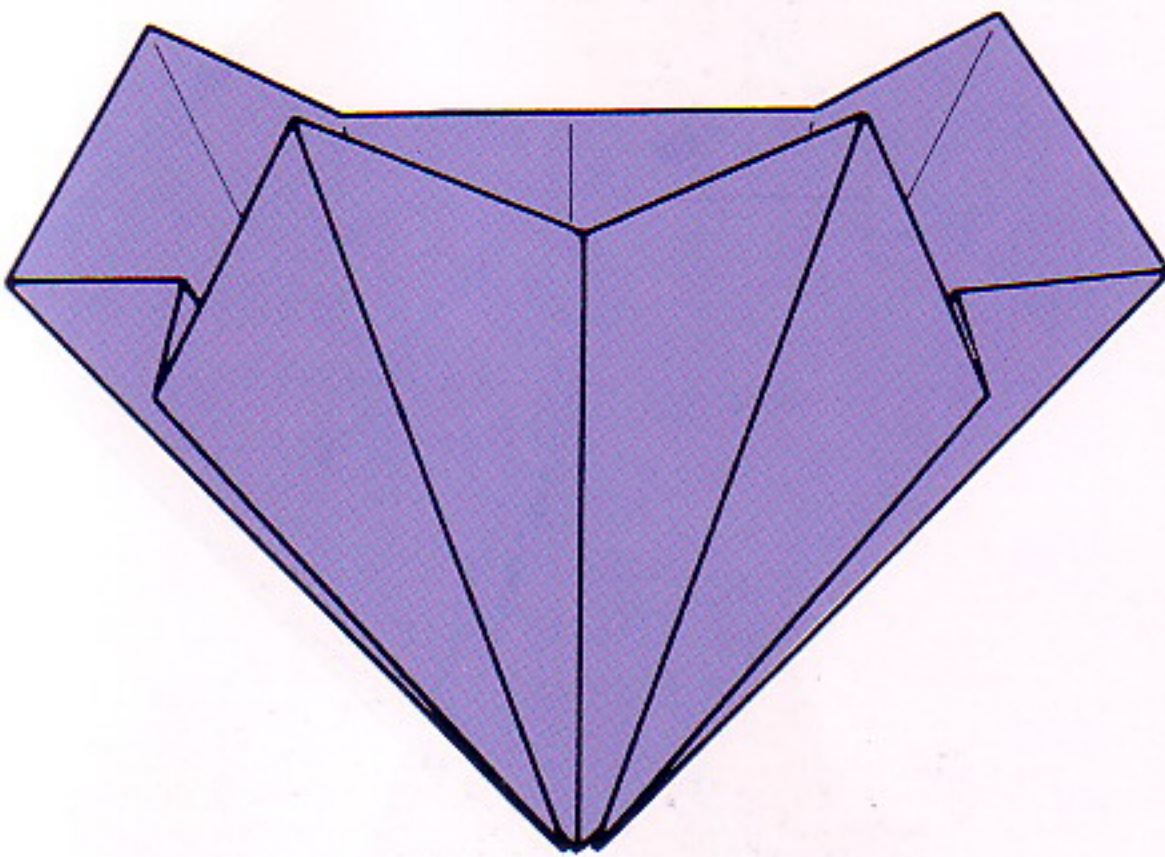


Completed.



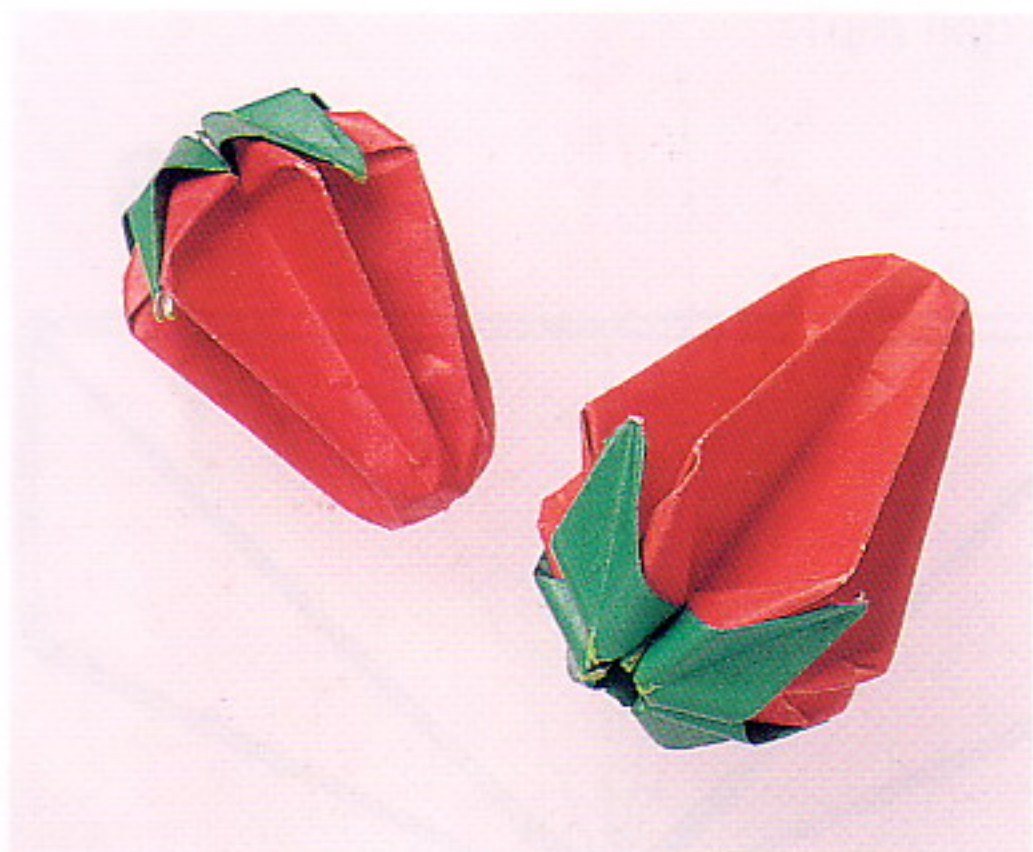
12

Give final shape.





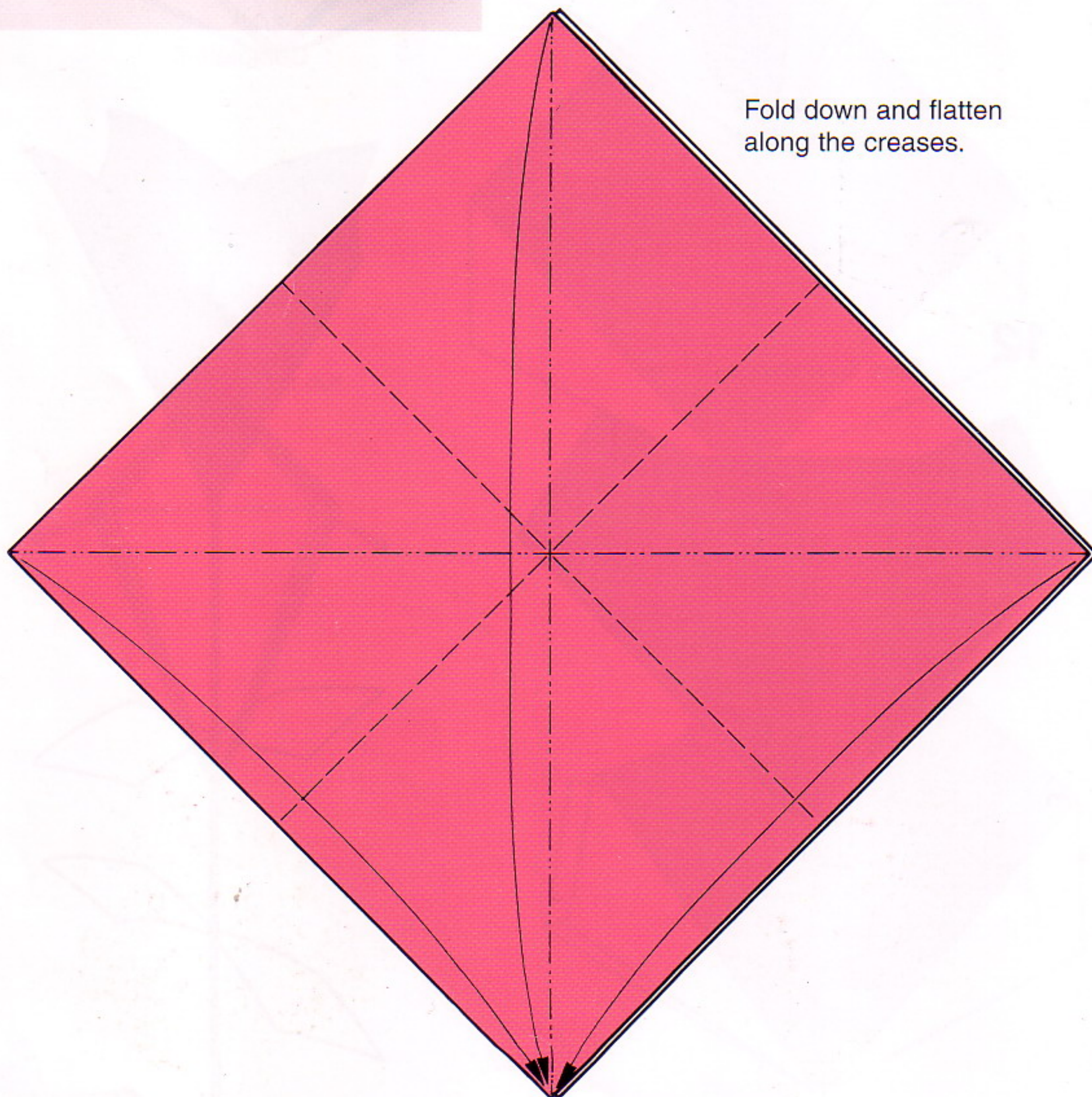
# STRAWBERRY



Fold 1 red and 1 green sheet of Origami together with both colored sides facing outward, and the red sheet on top.

1

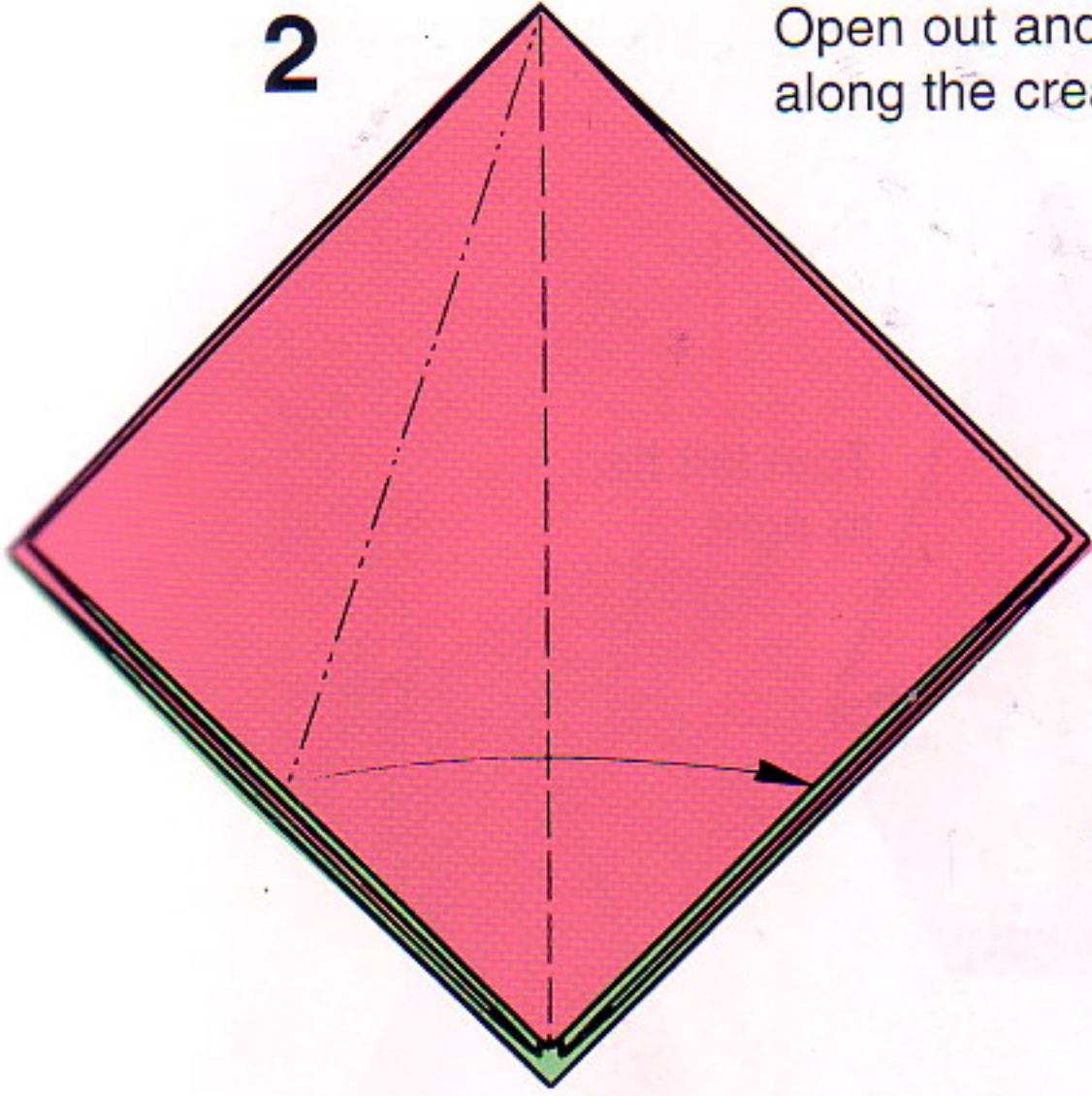
Fold down and flatten along the creases.





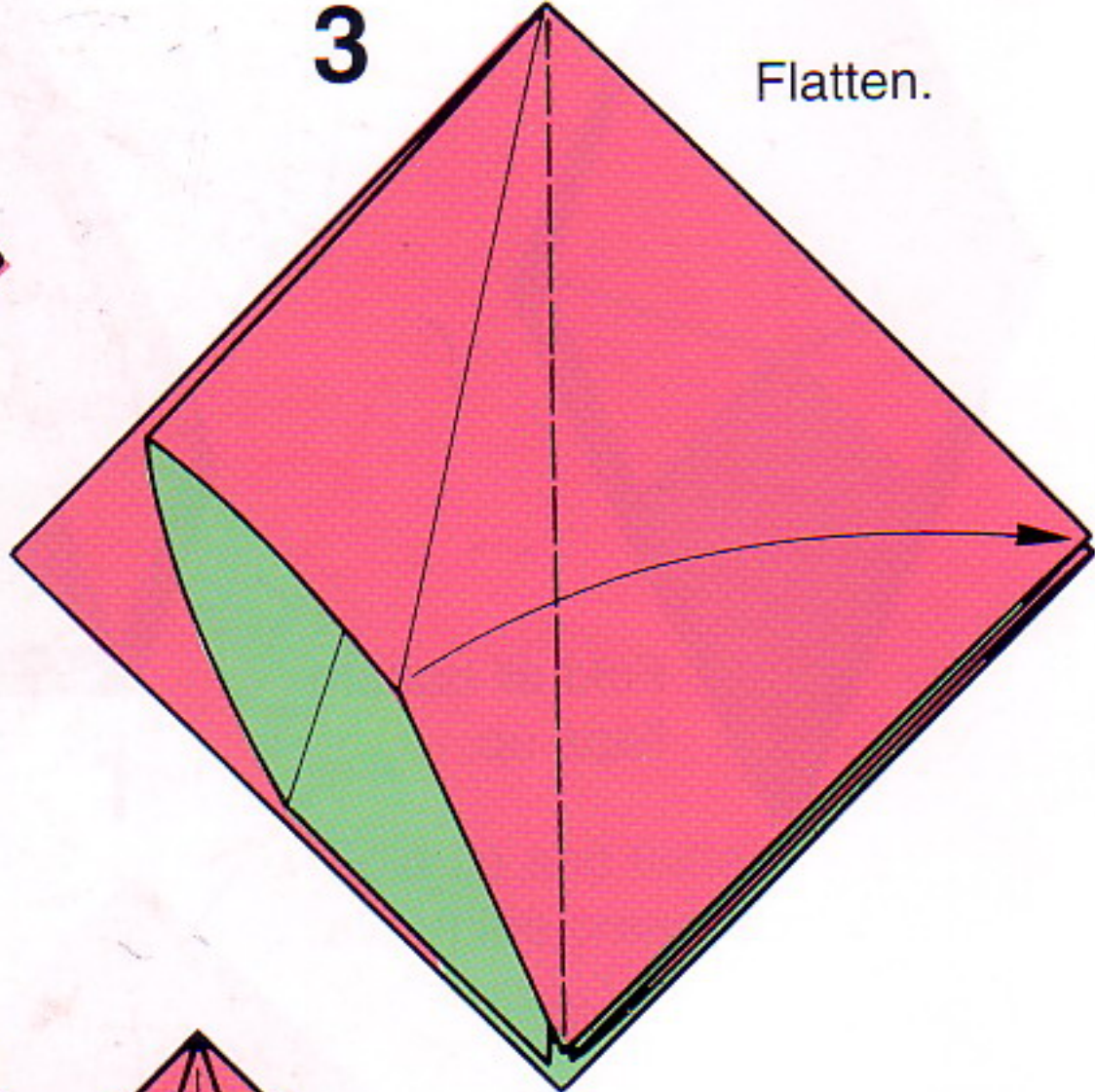
2

Open out and flatten along the crease.



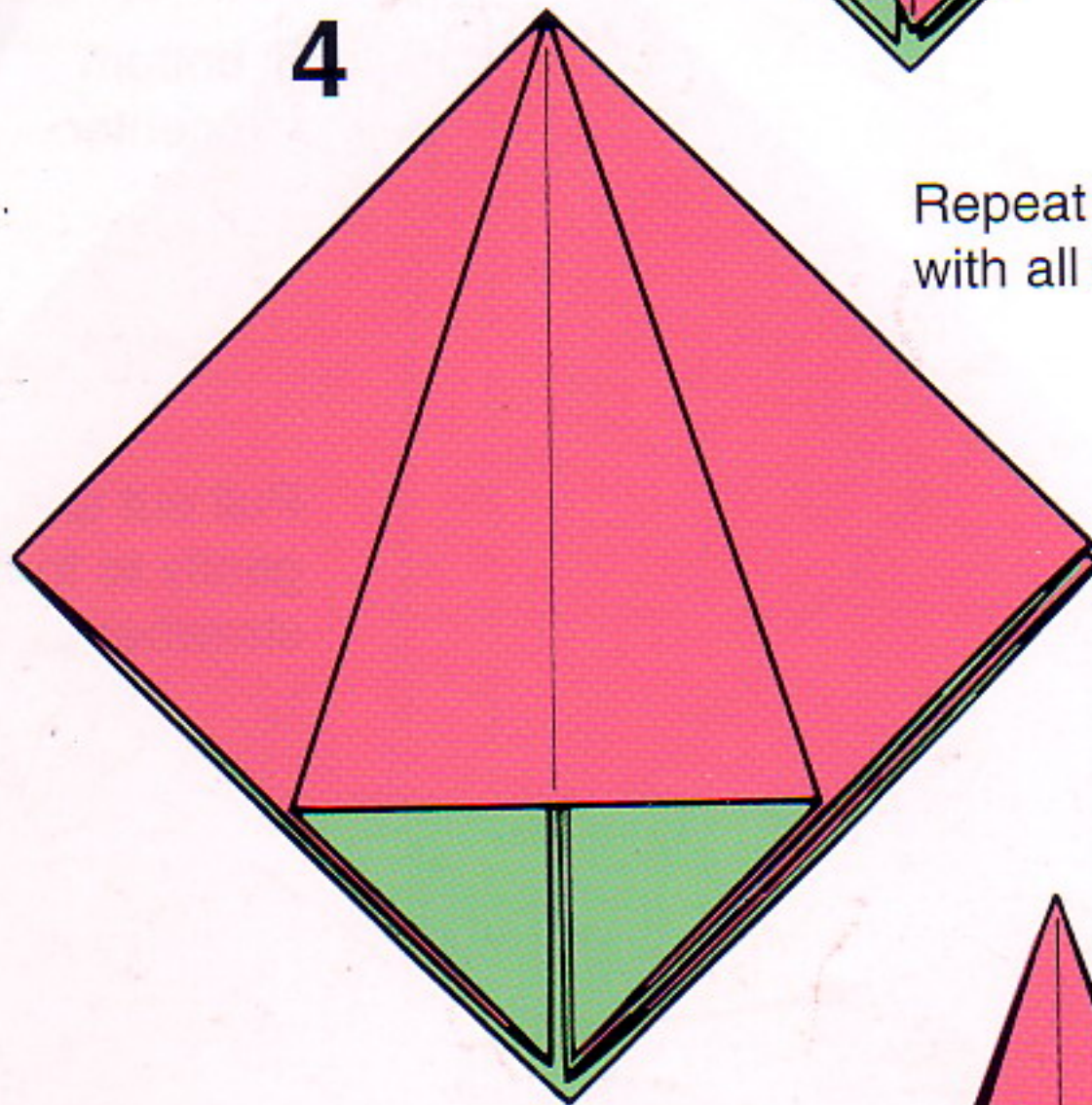
3

Flatten.



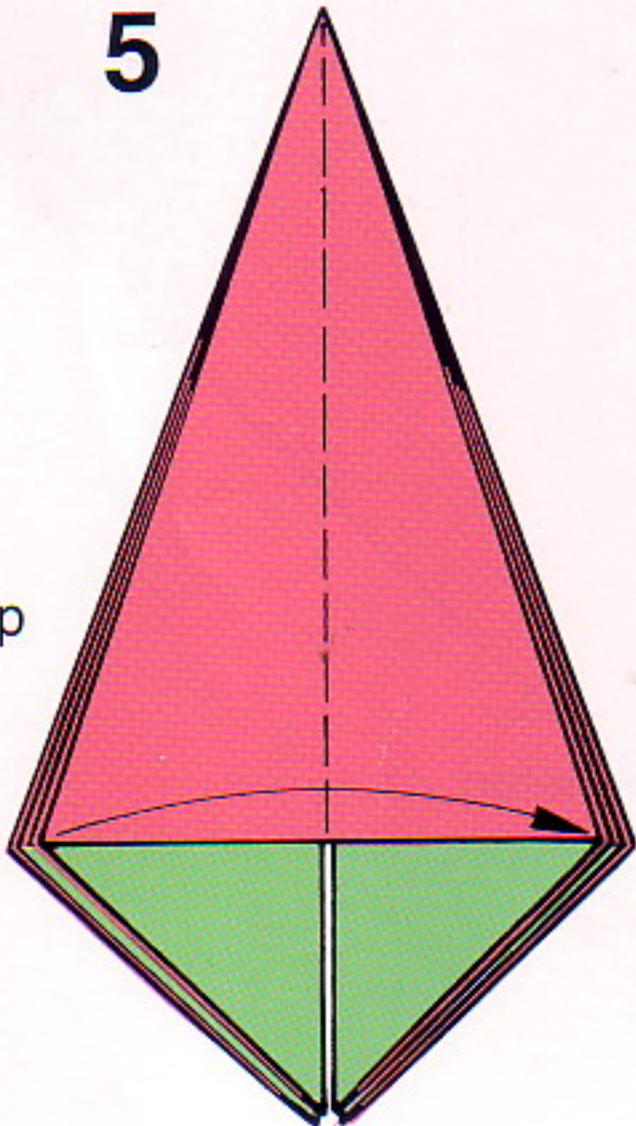
4

Repeat the same folds with all the other pleats.



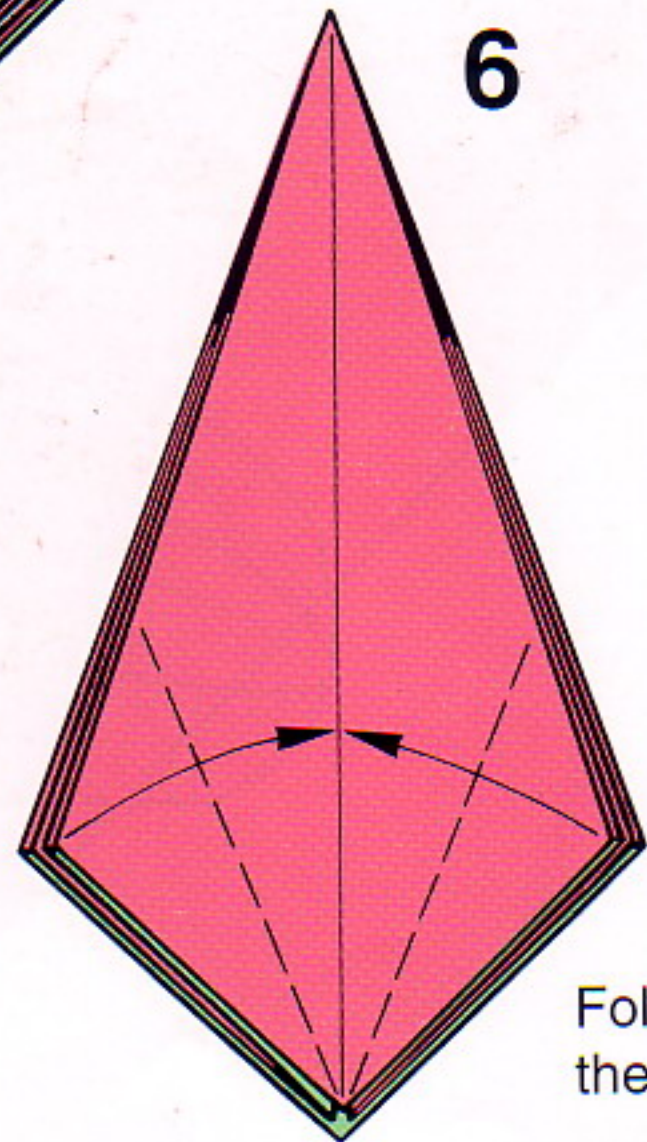
5

Turn left flap to right.

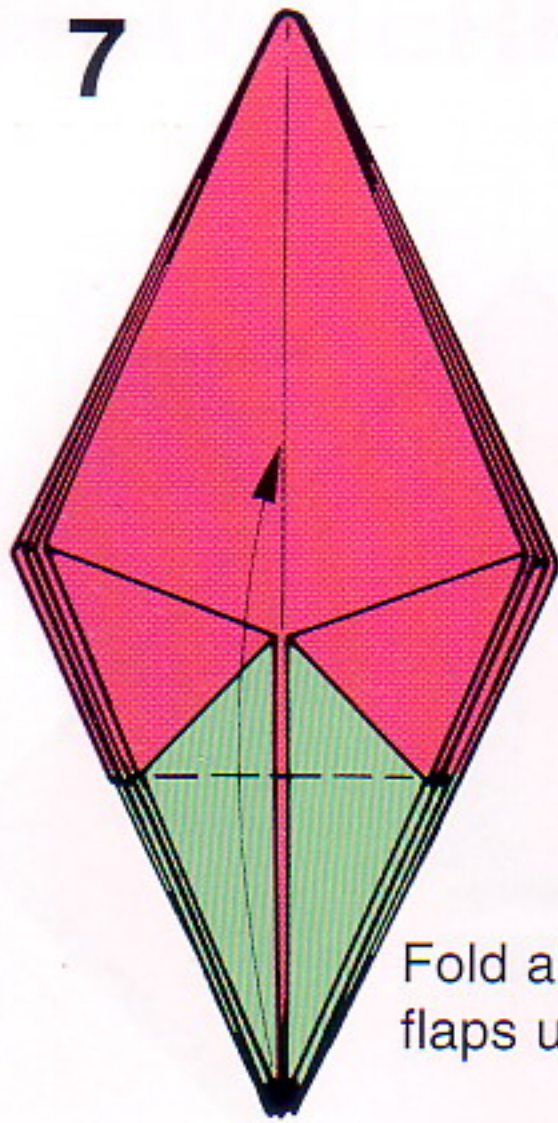


6

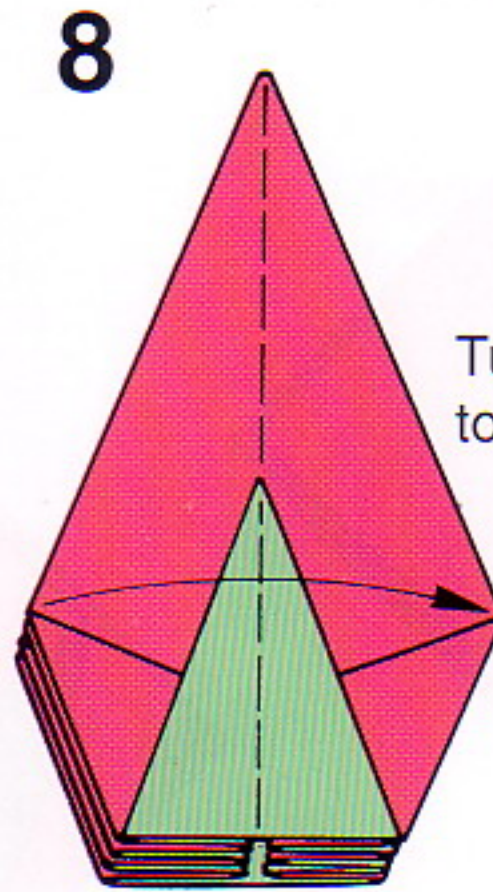
Fold in all the pleats.



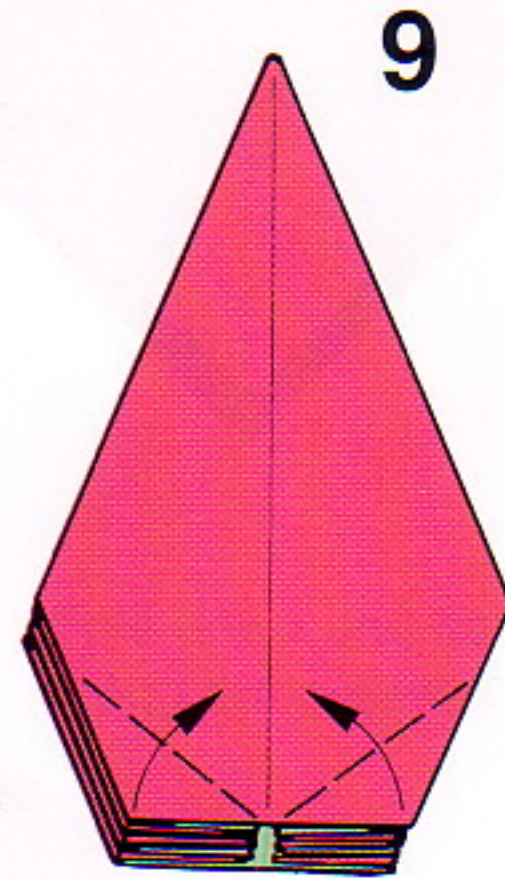




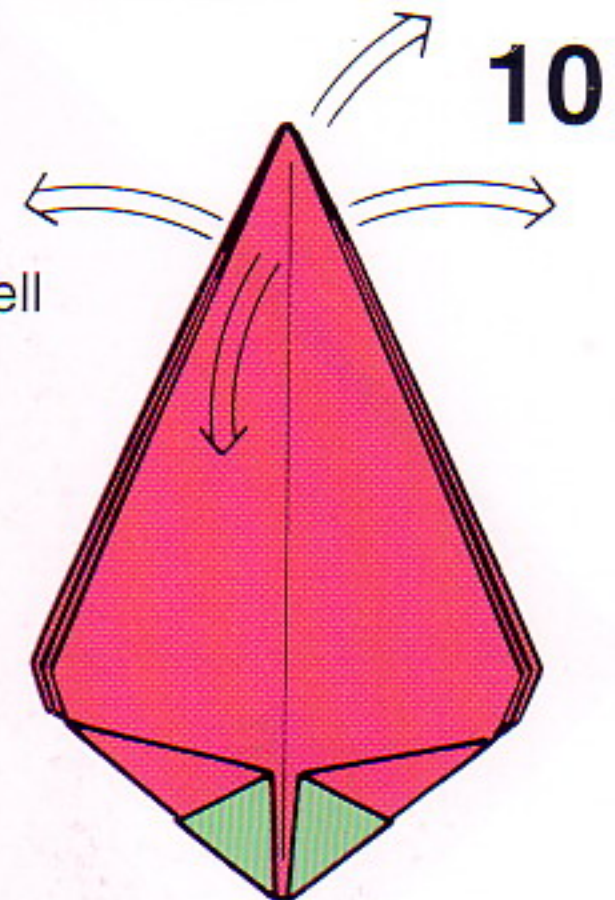
Fold all bottom flaps up.



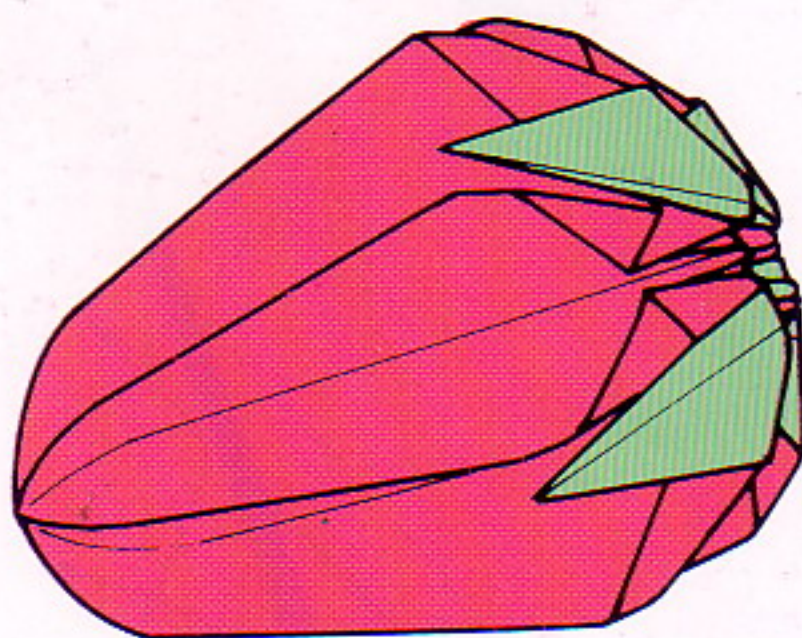
Turn left flap to right.



Fold all bottom points to center.



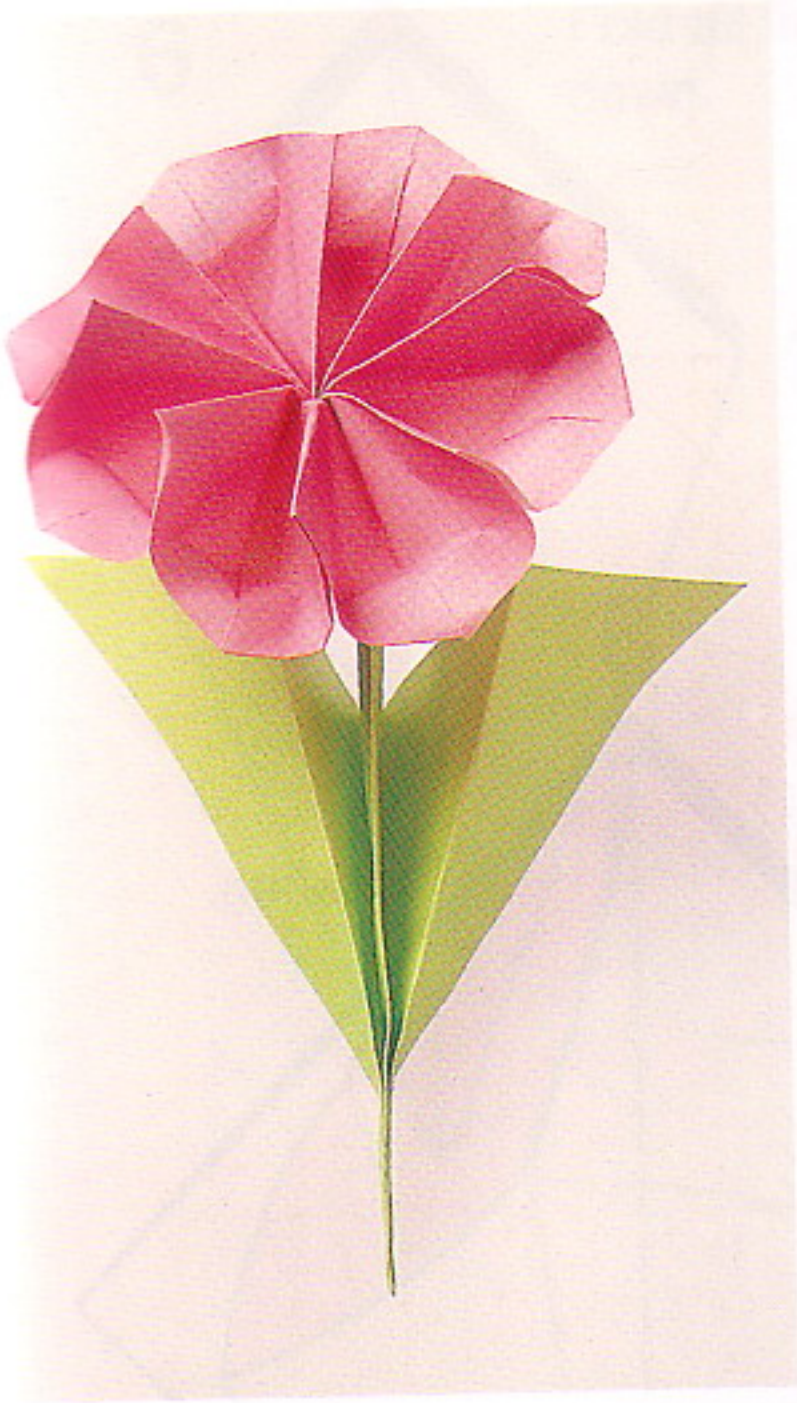
Pull out and swell gently to form strawberry.



Completed.

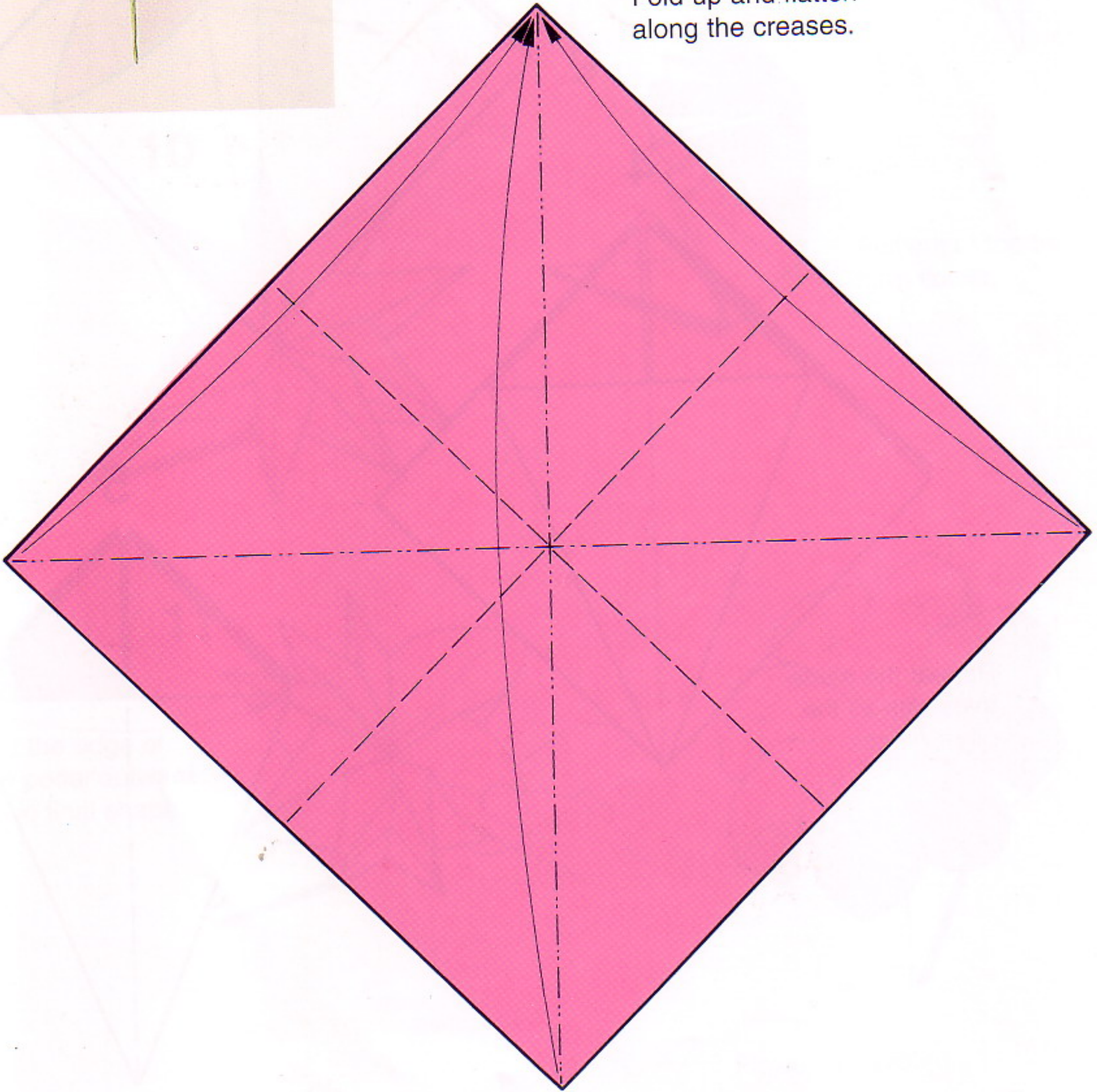


# CARNATION



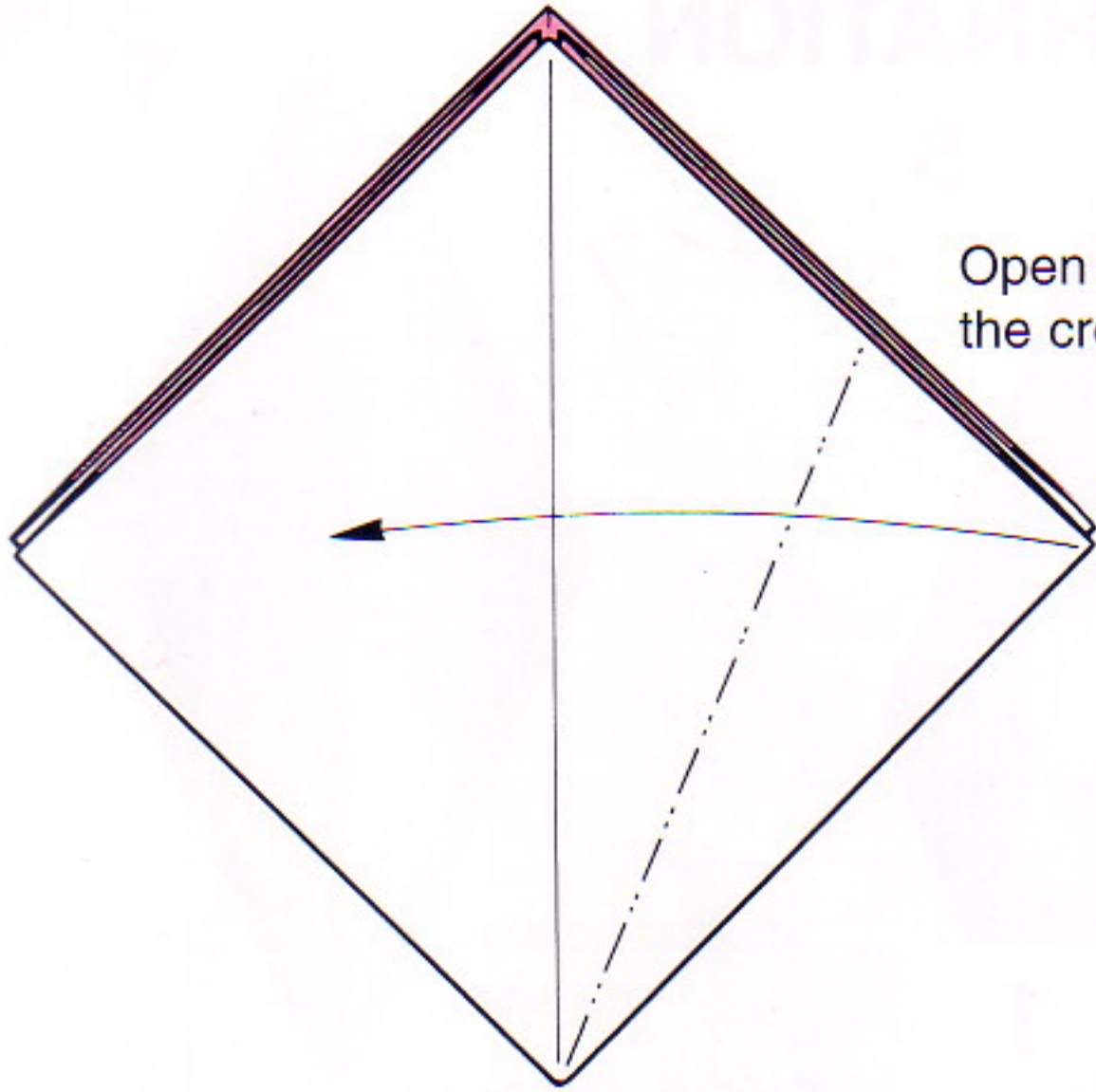
1

Fold up and flatten  
along the creases.



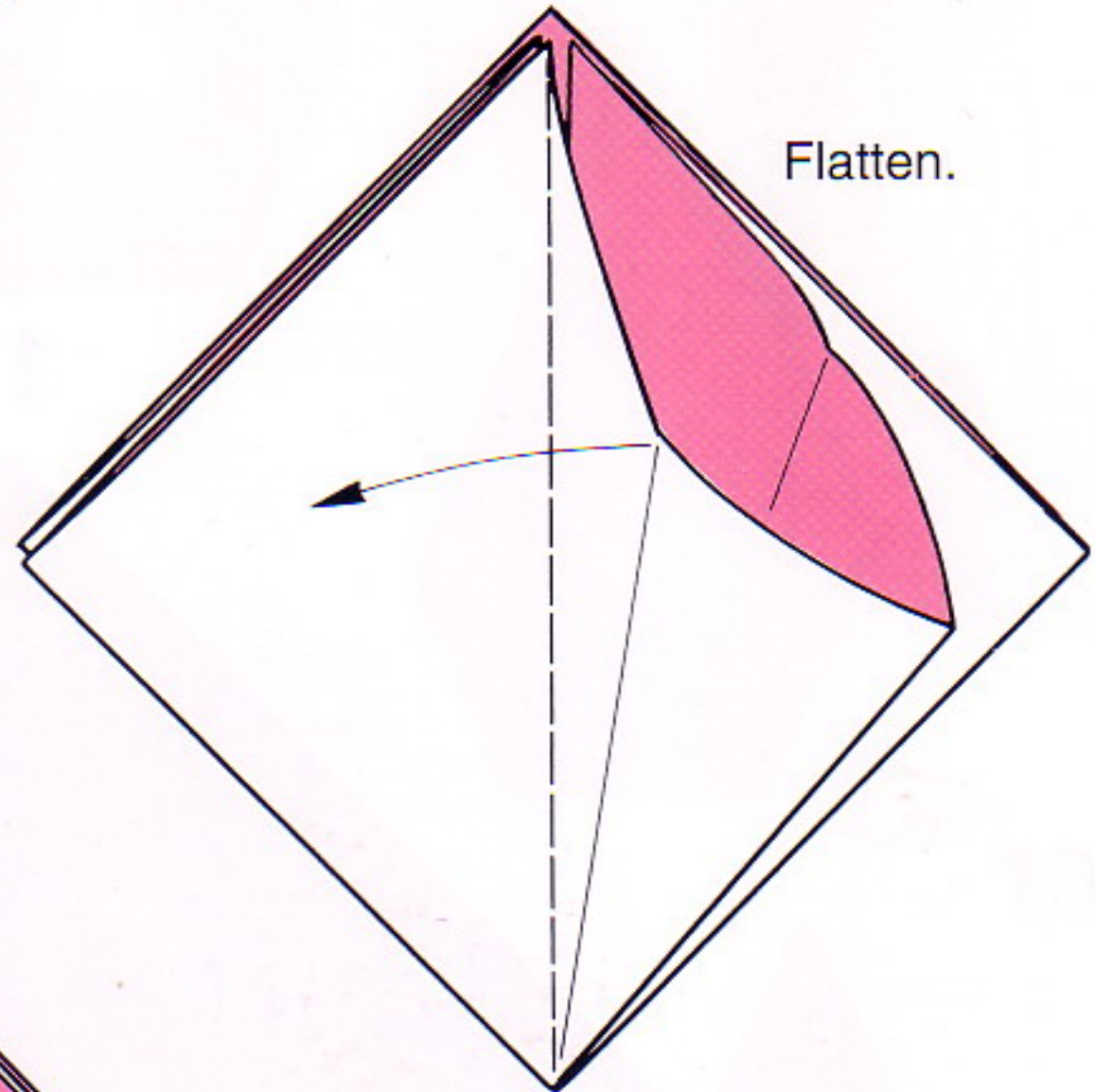


**2**



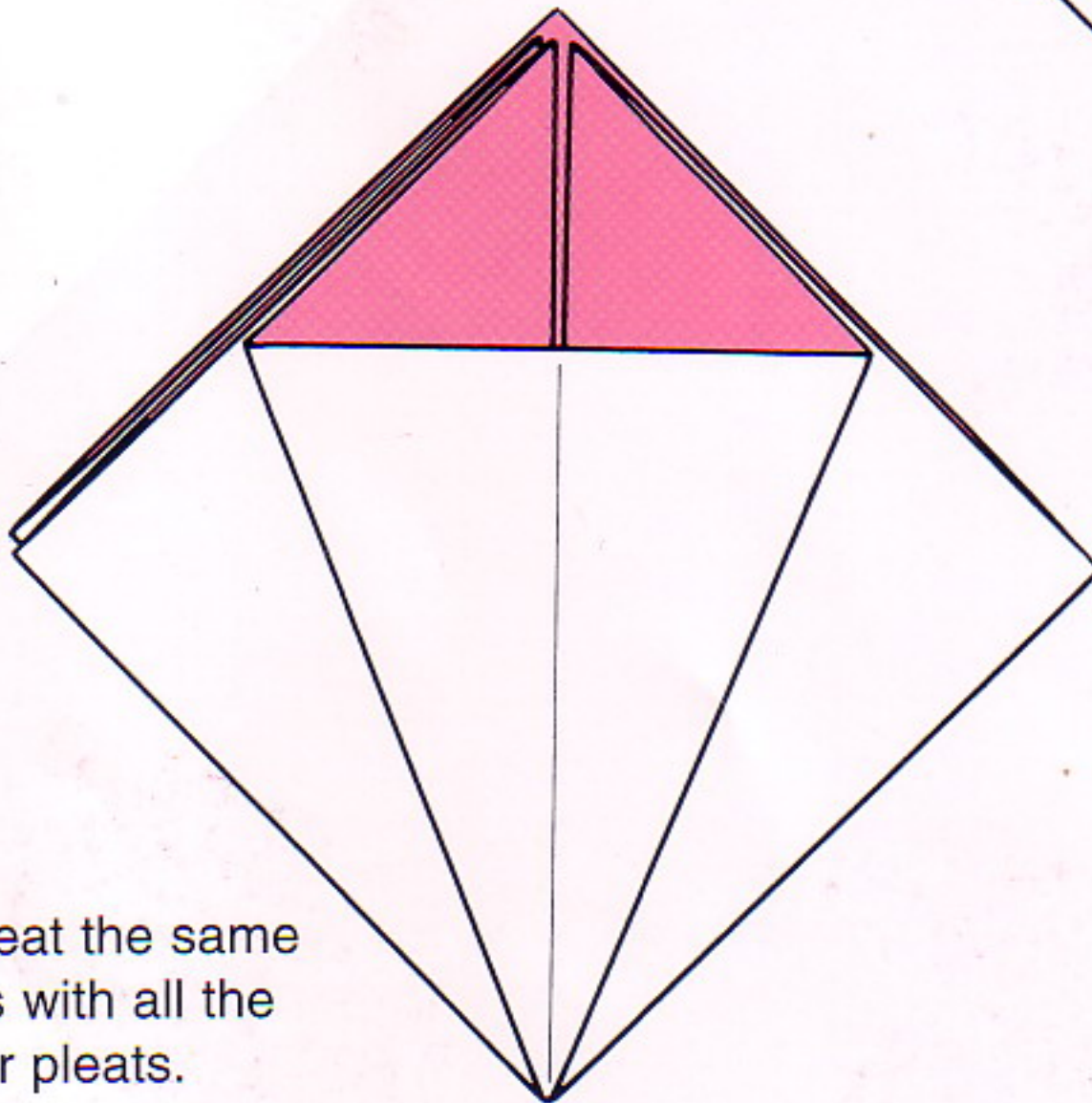
Open out along the crease.

**3**



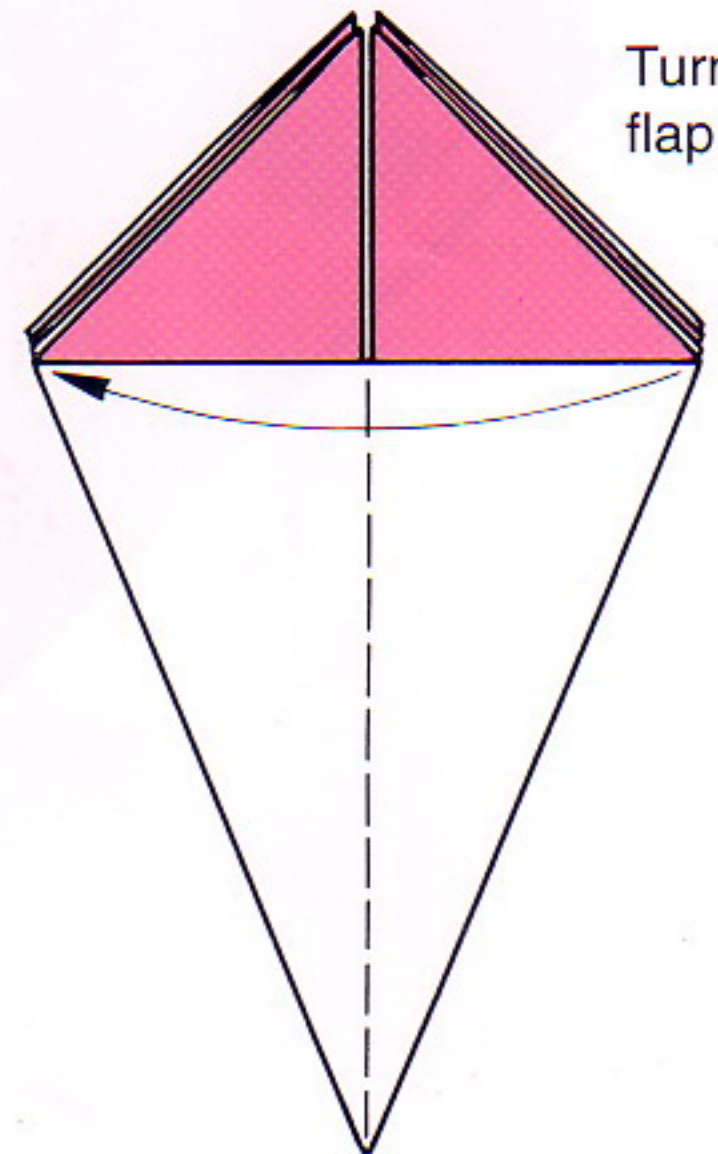
Flatten.

**4**



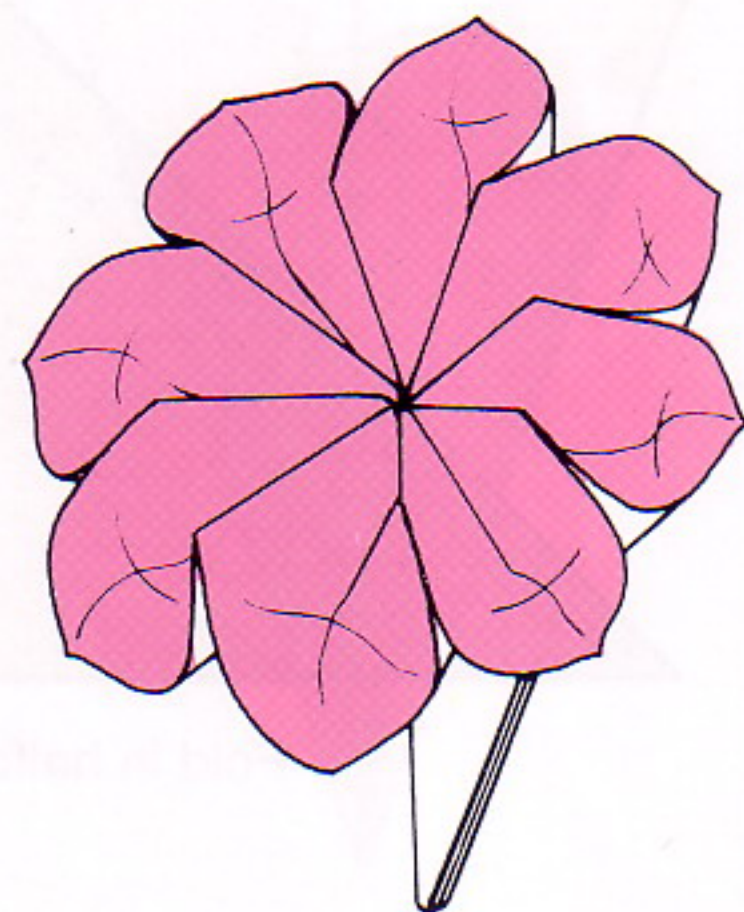
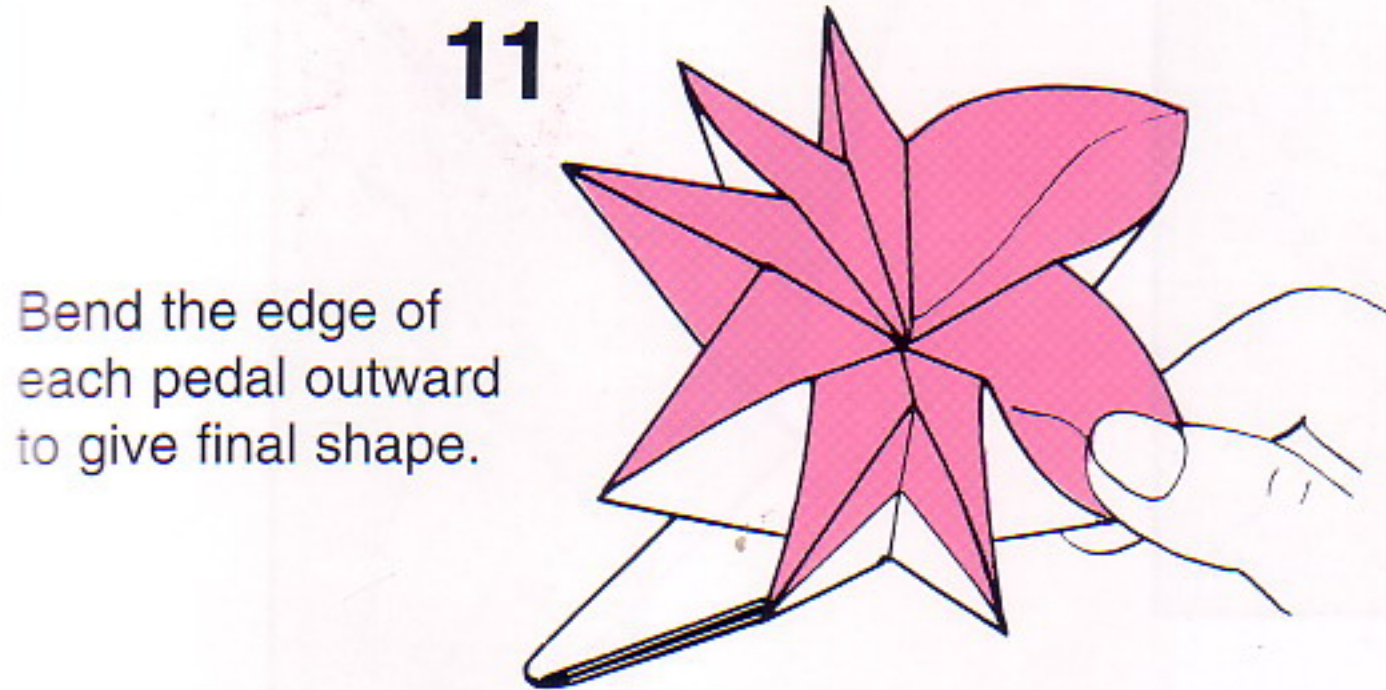
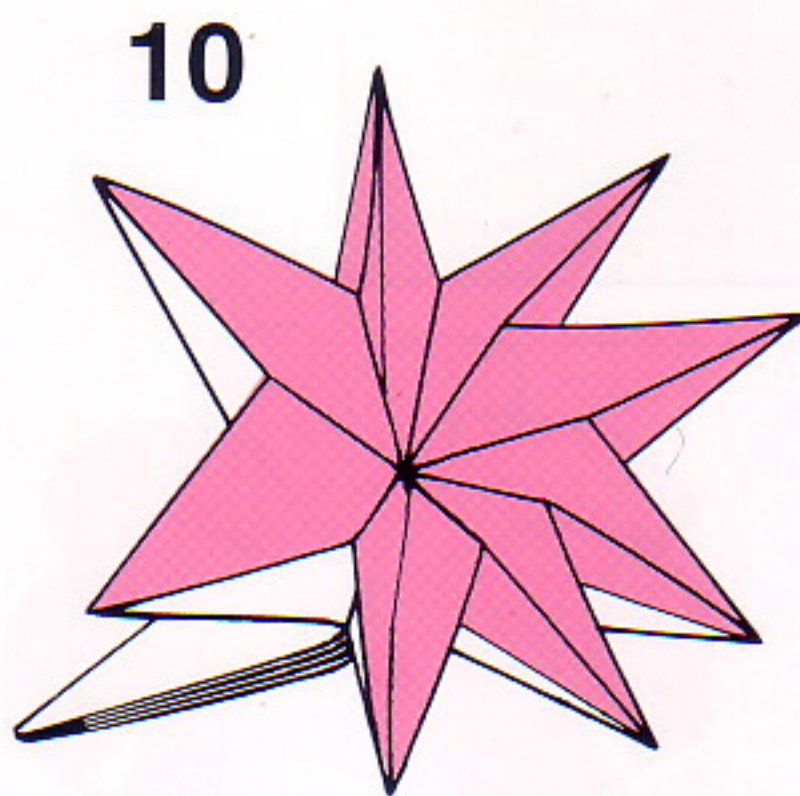
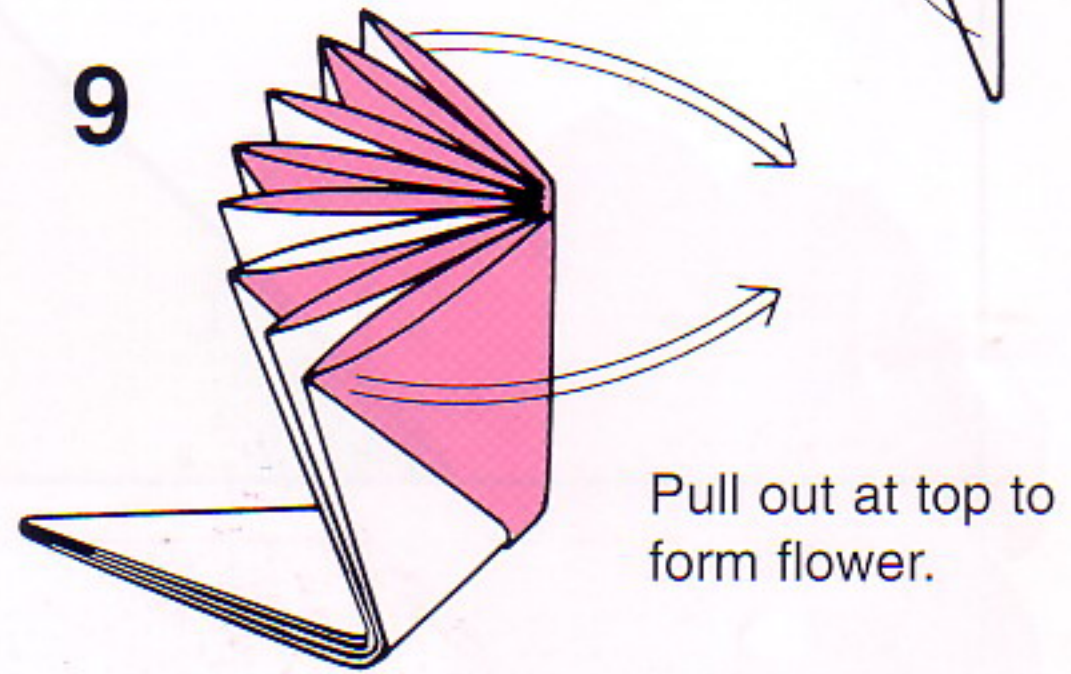
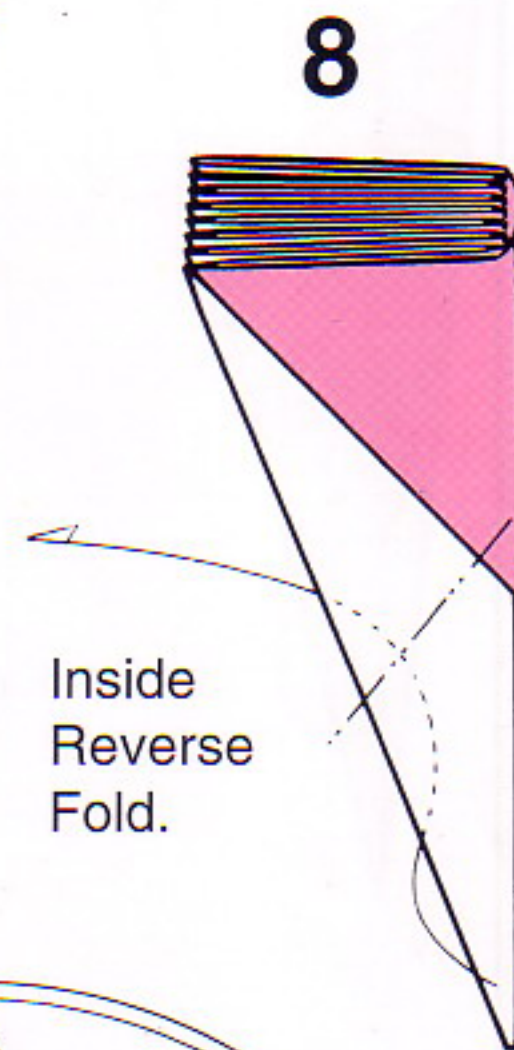
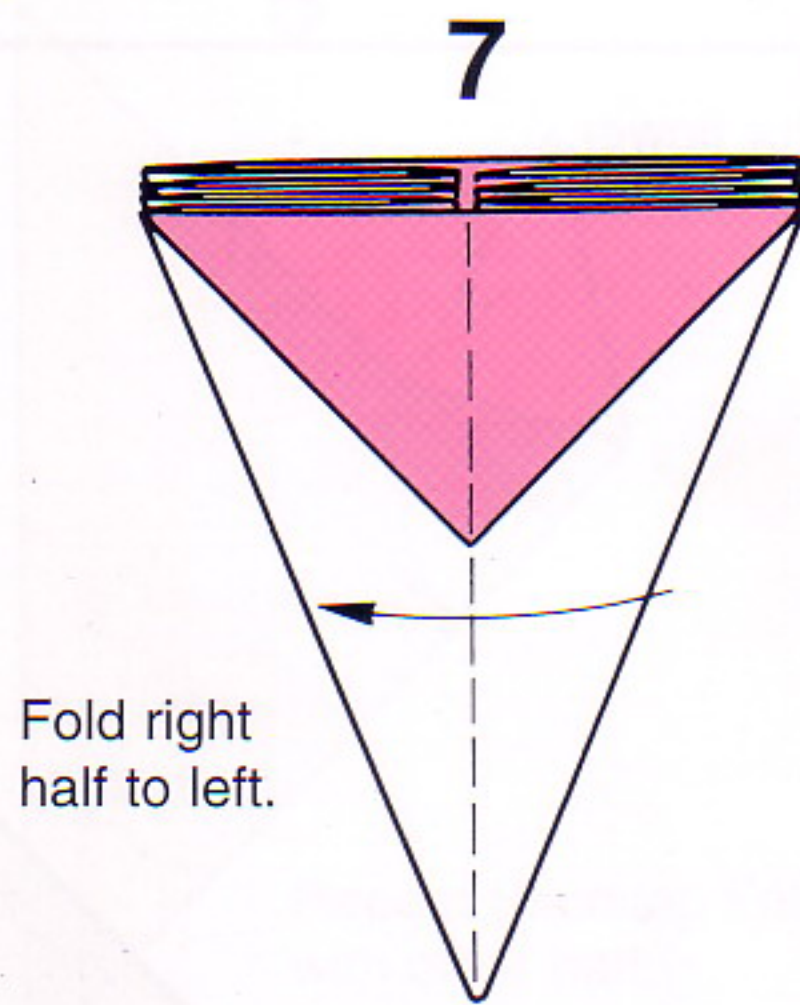
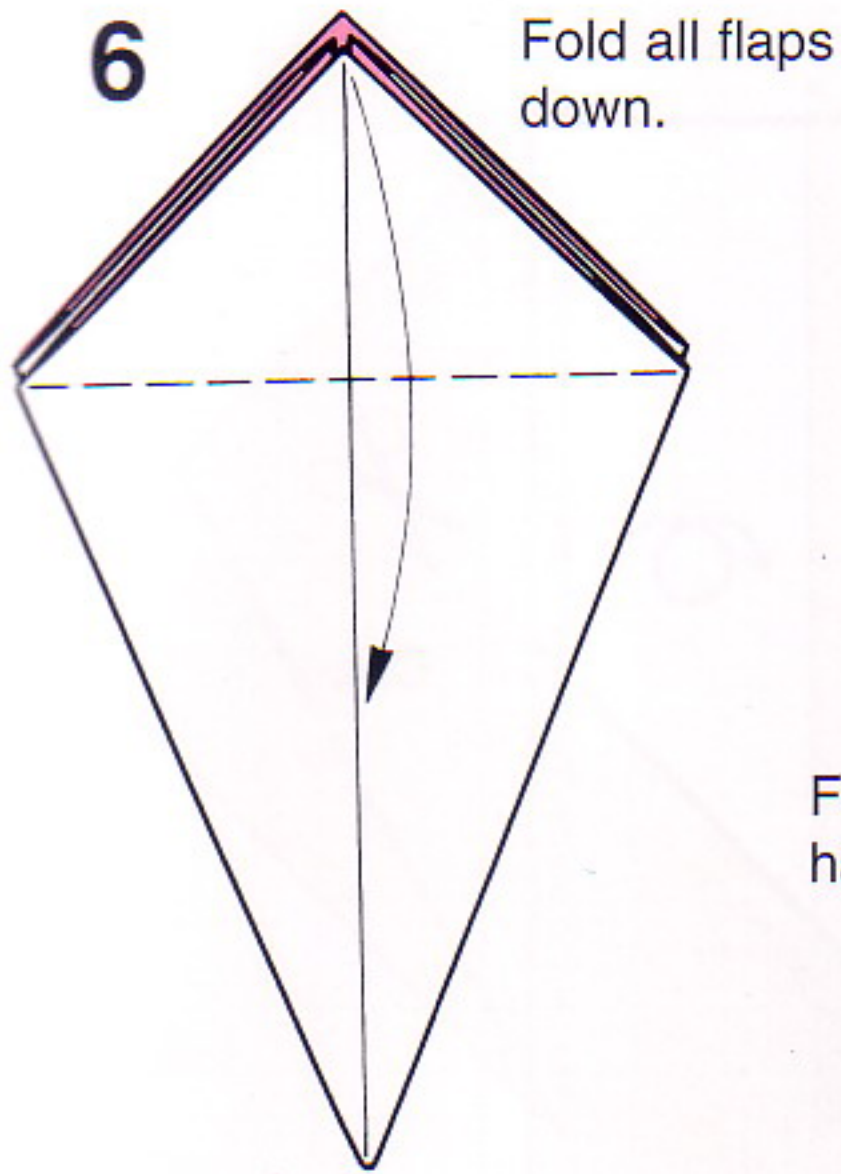
Repeat the same folds with all the other pleats.

**5**



Turn right flap to left.

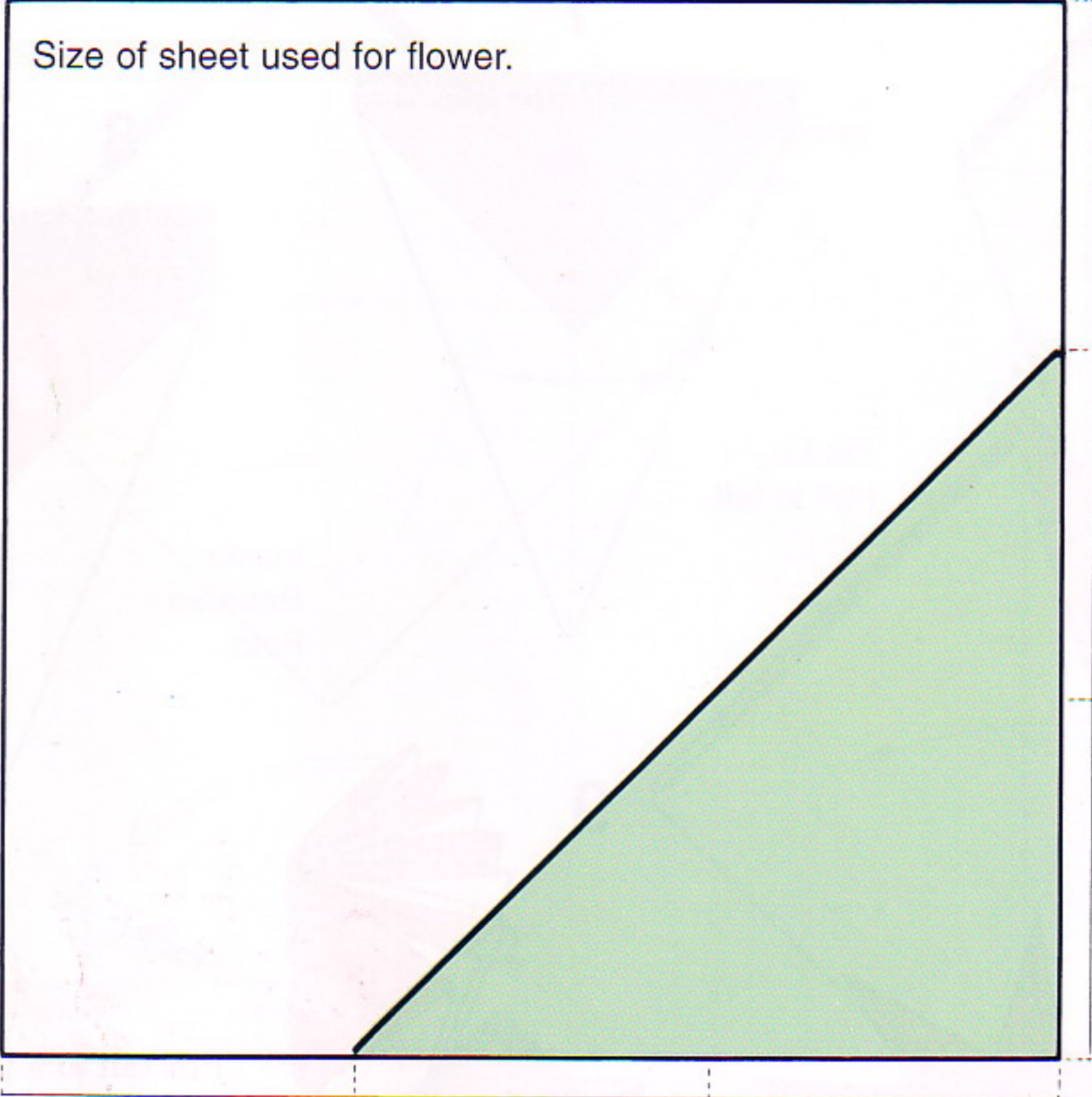




Flower completed.

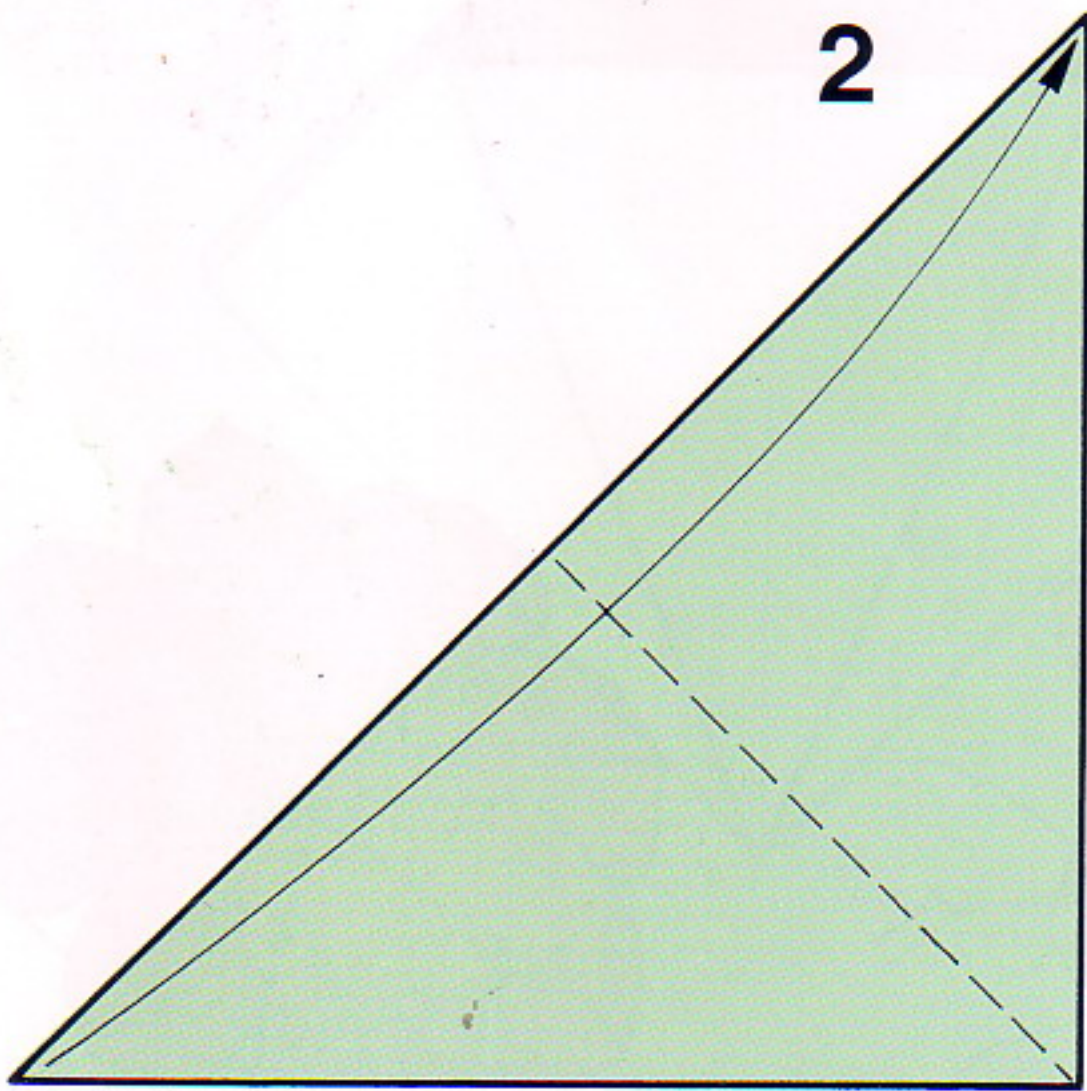


1



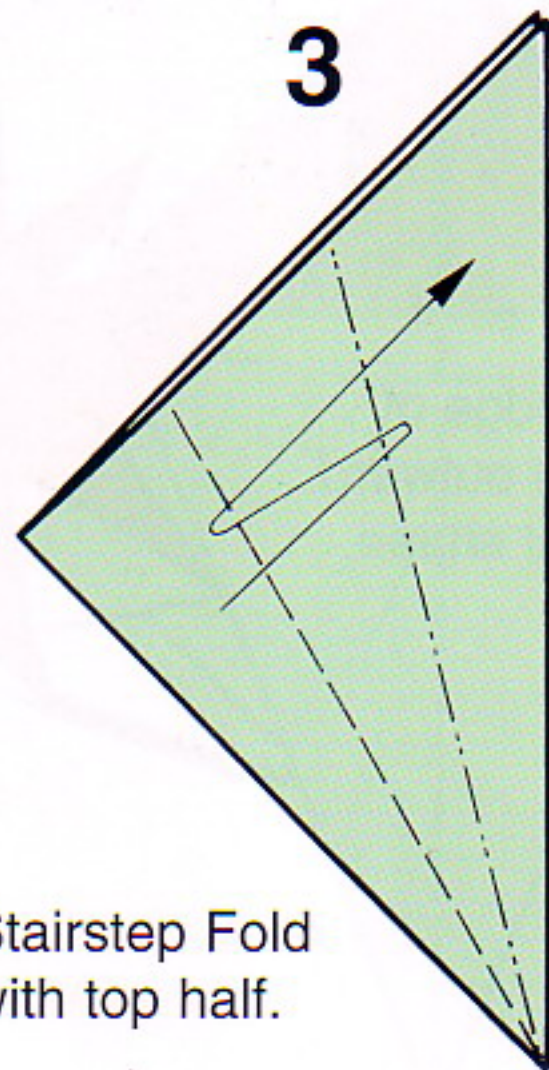
Cut.

2



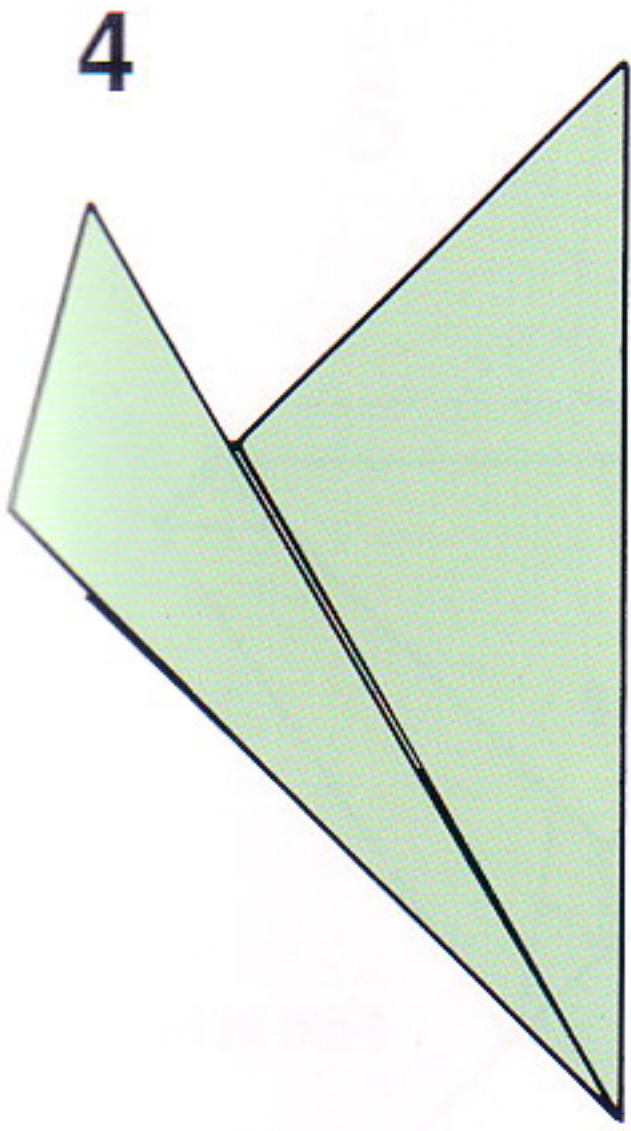
Fold in half.

3

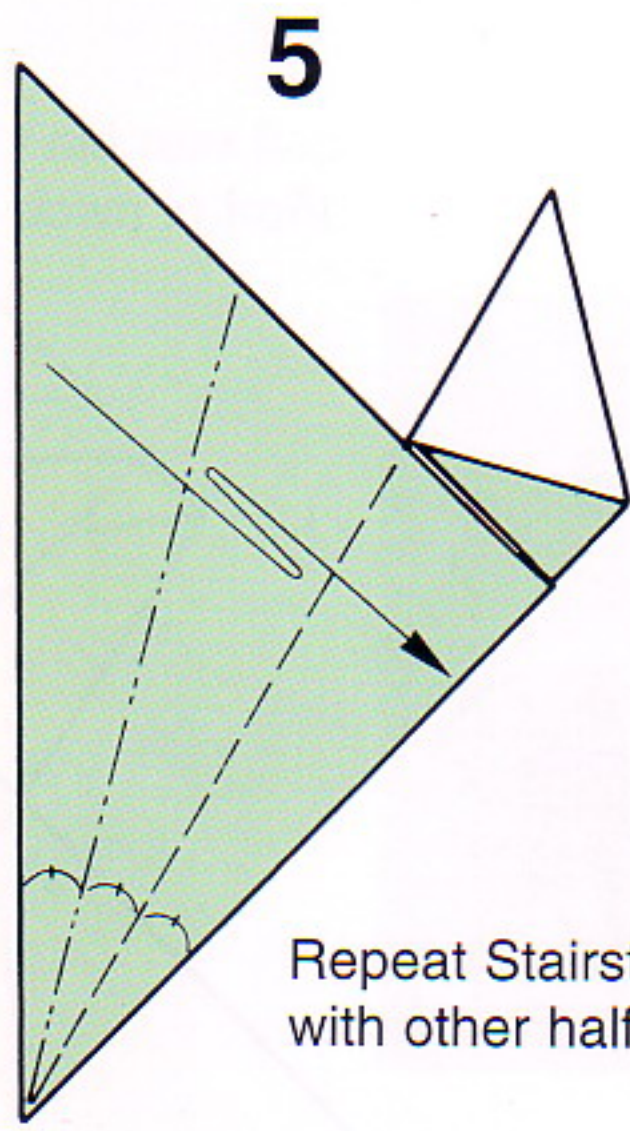


Stairstep Fold  
with top half.

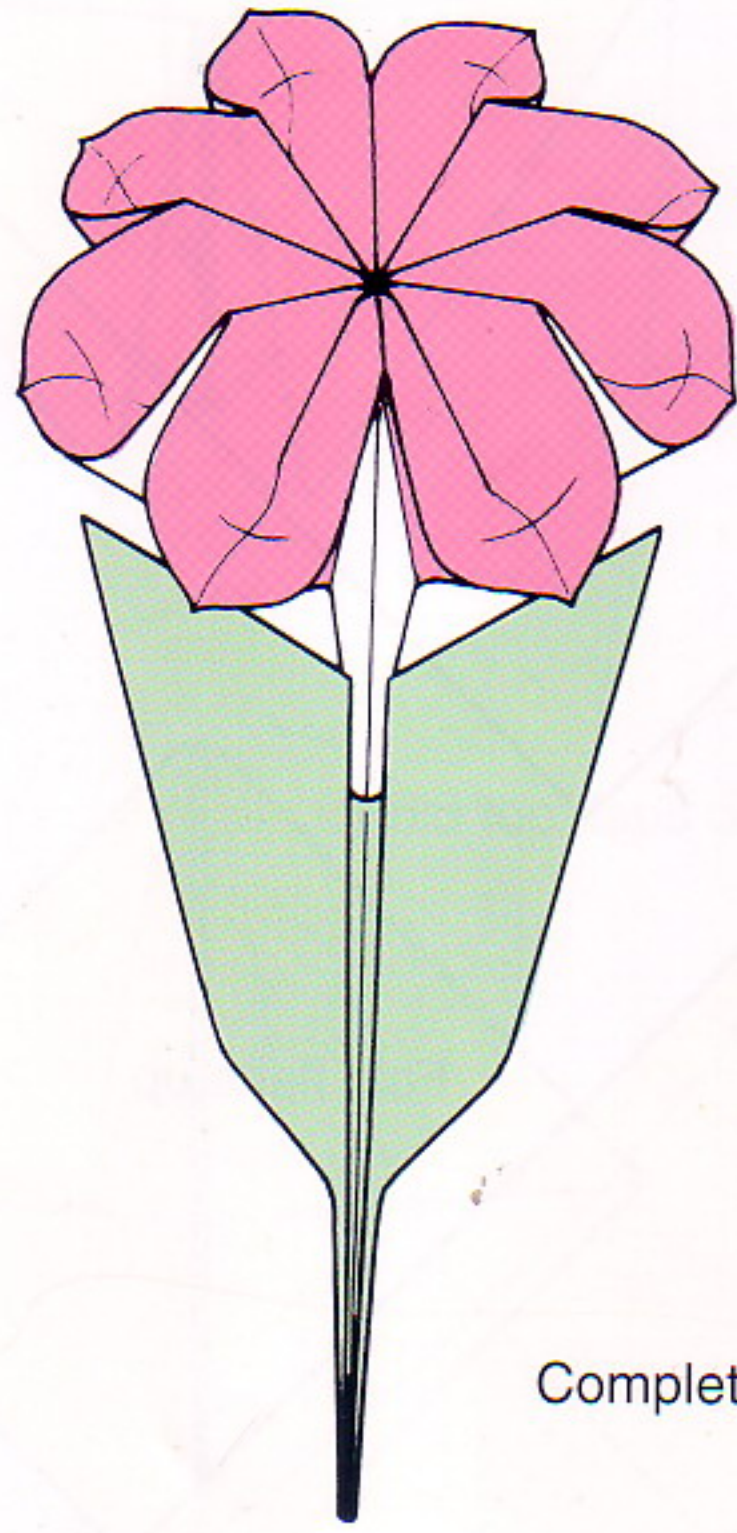
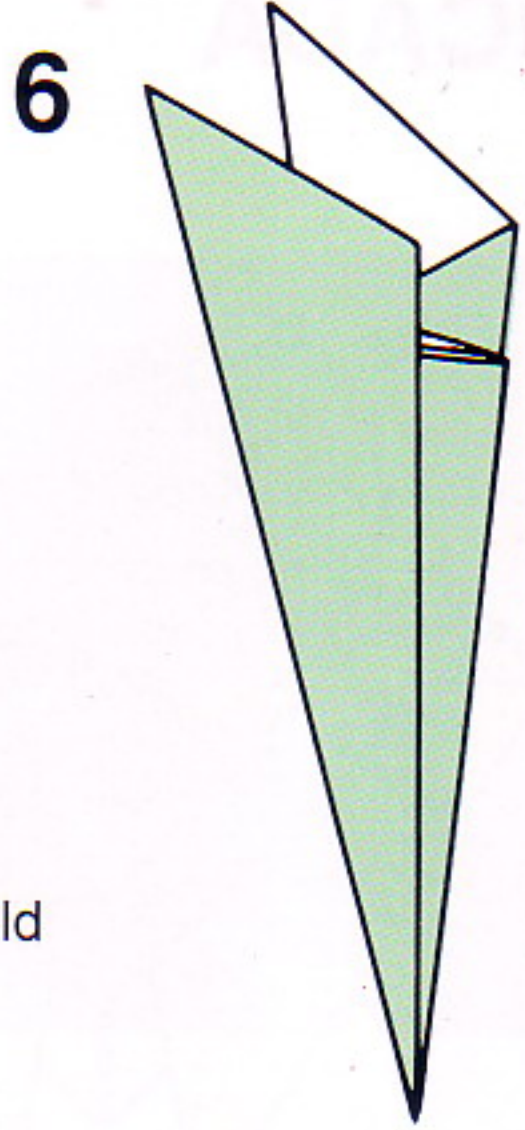




Turn over.

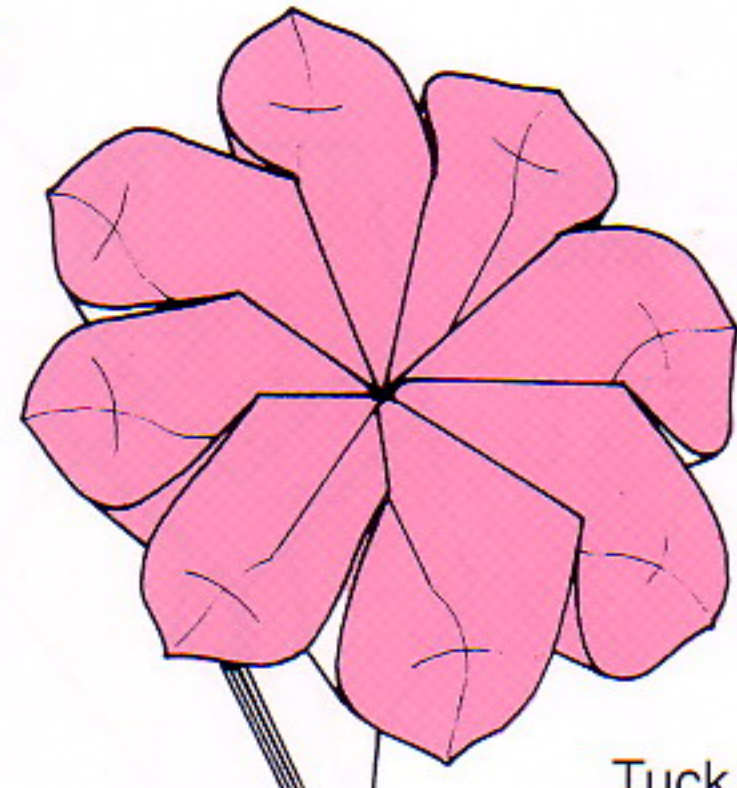


Repeat Stairstep Fold with other half.

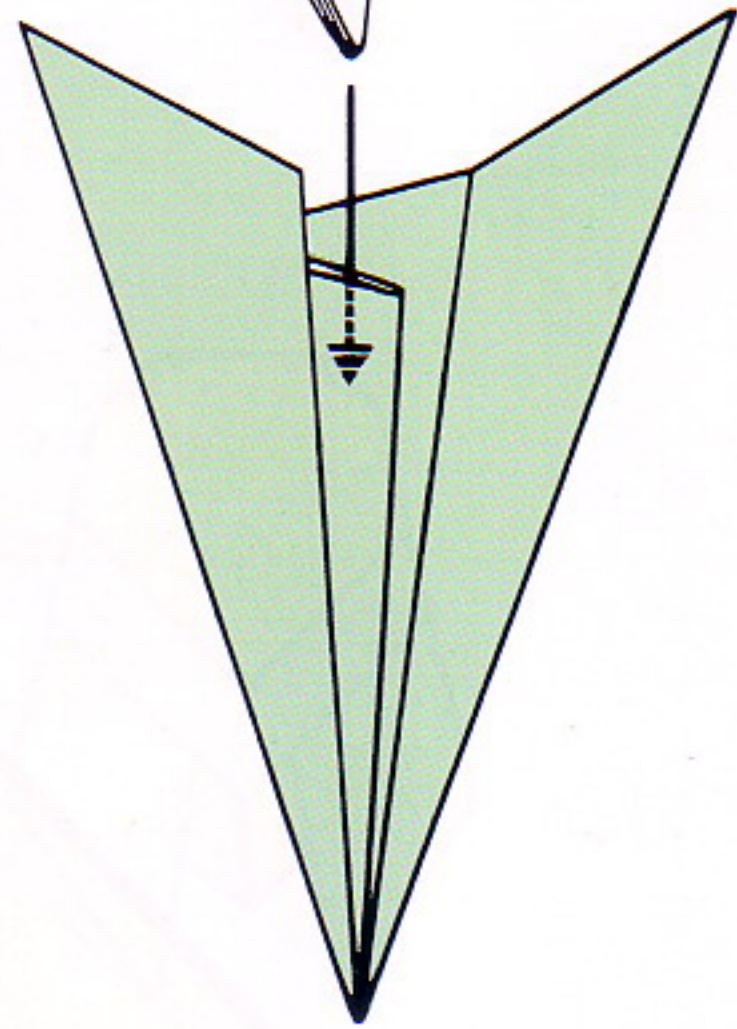


Completed.

7

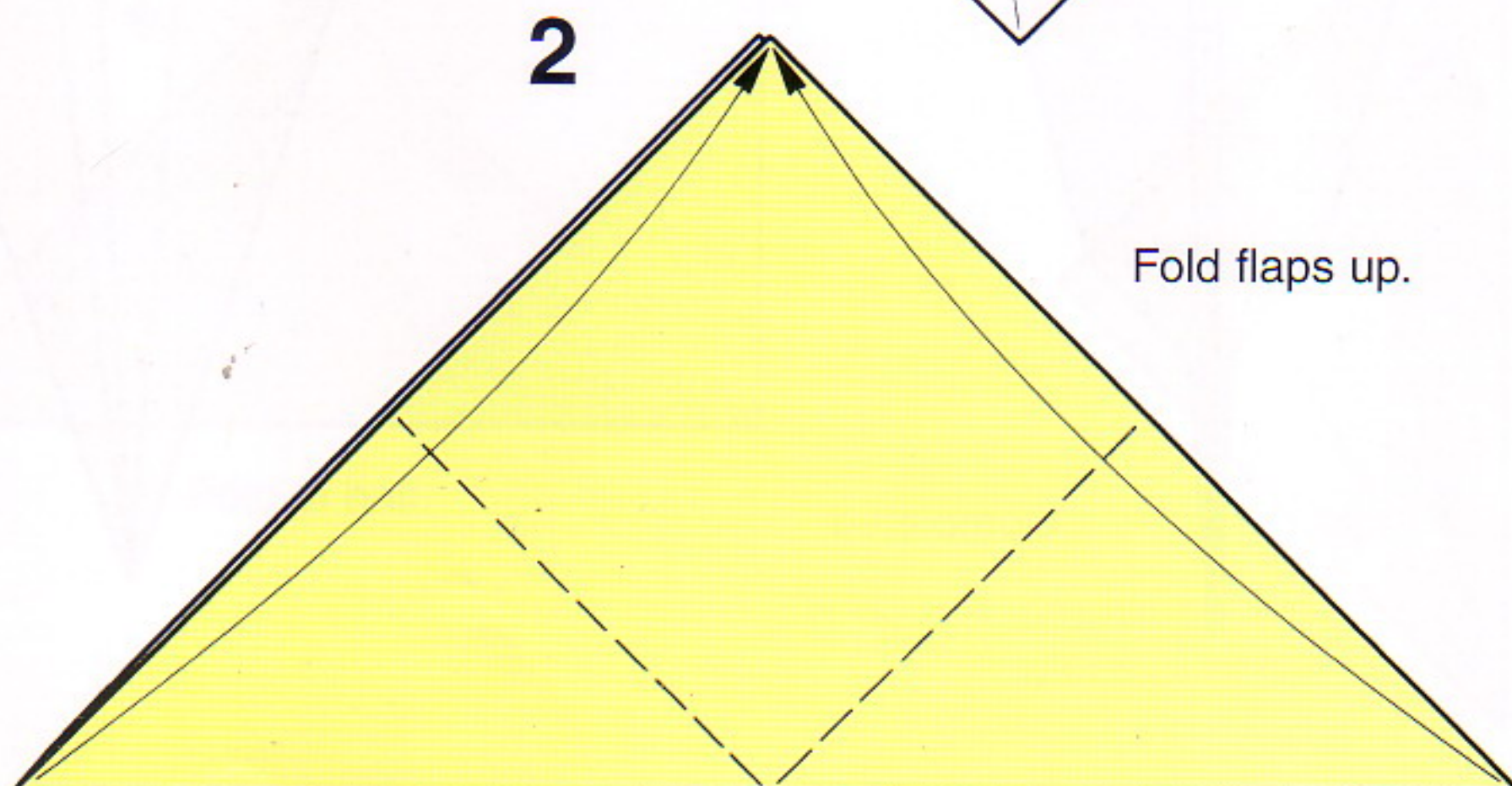
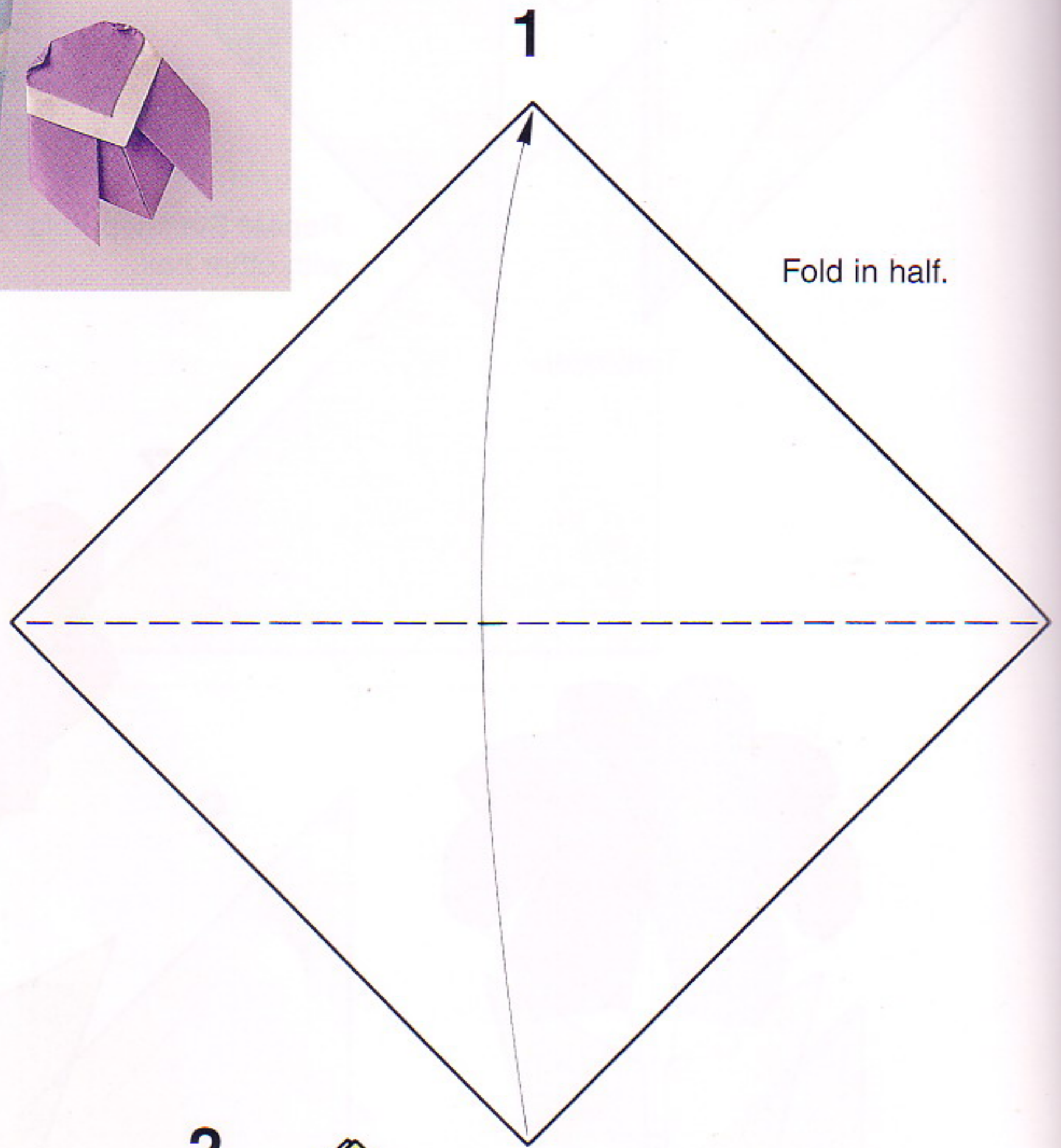
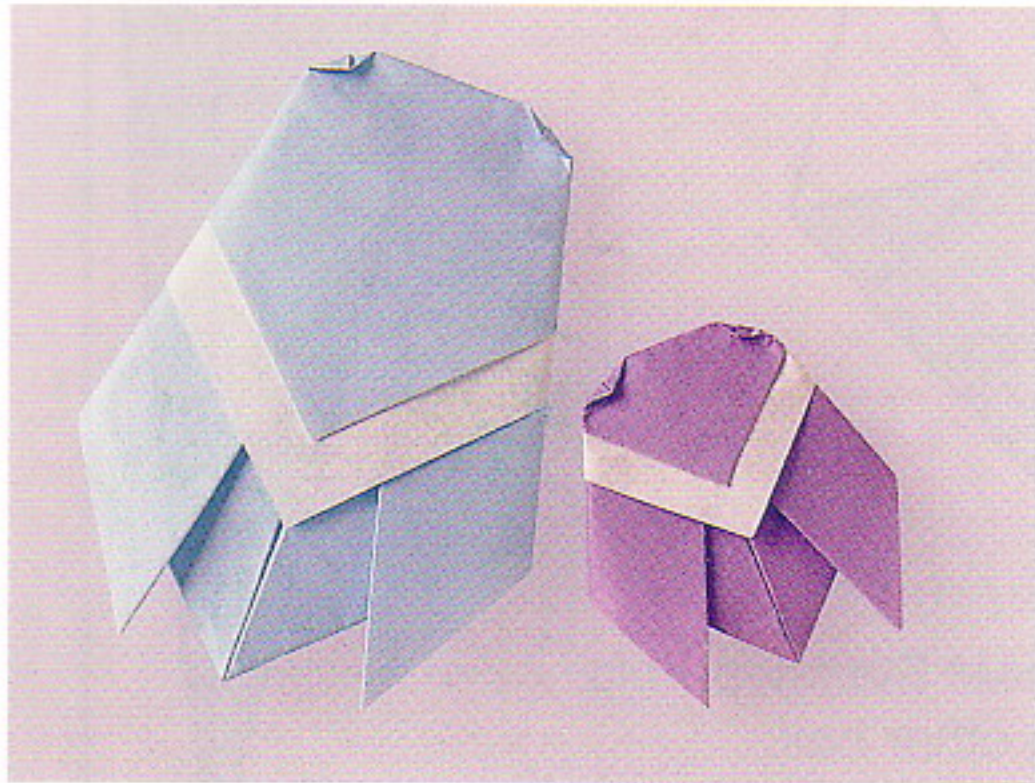


Tuck in.





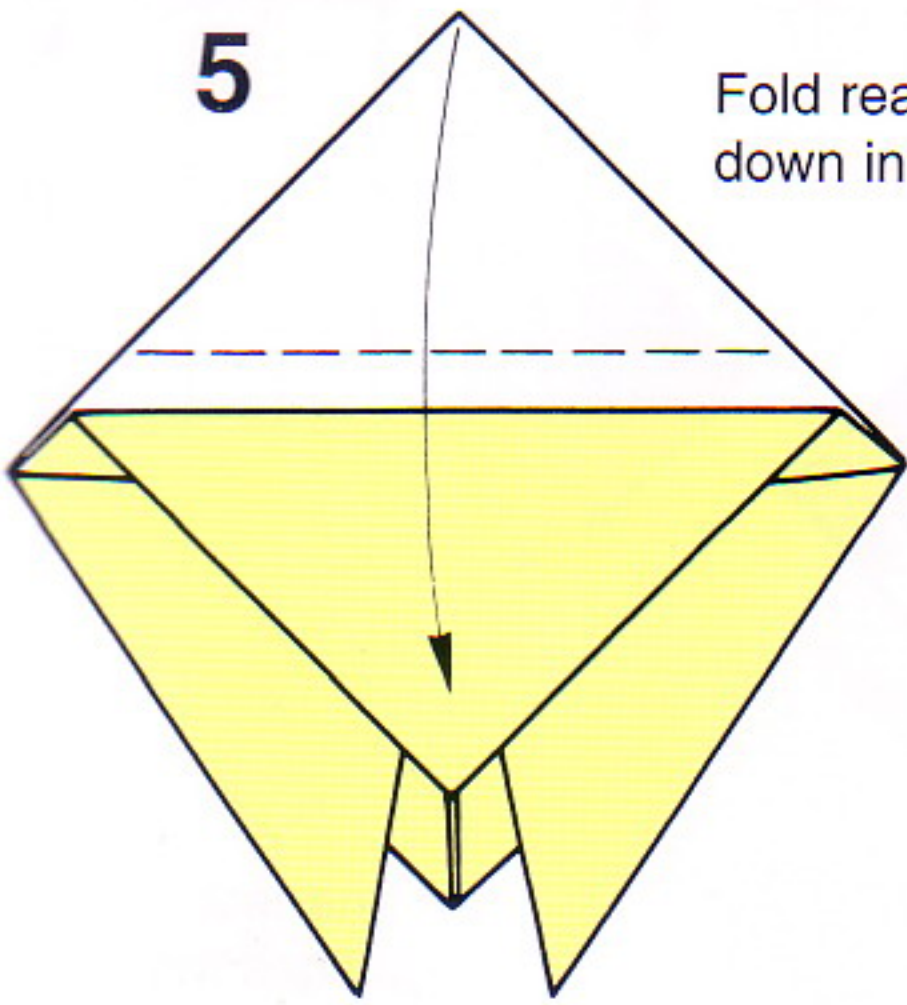
# CICADA





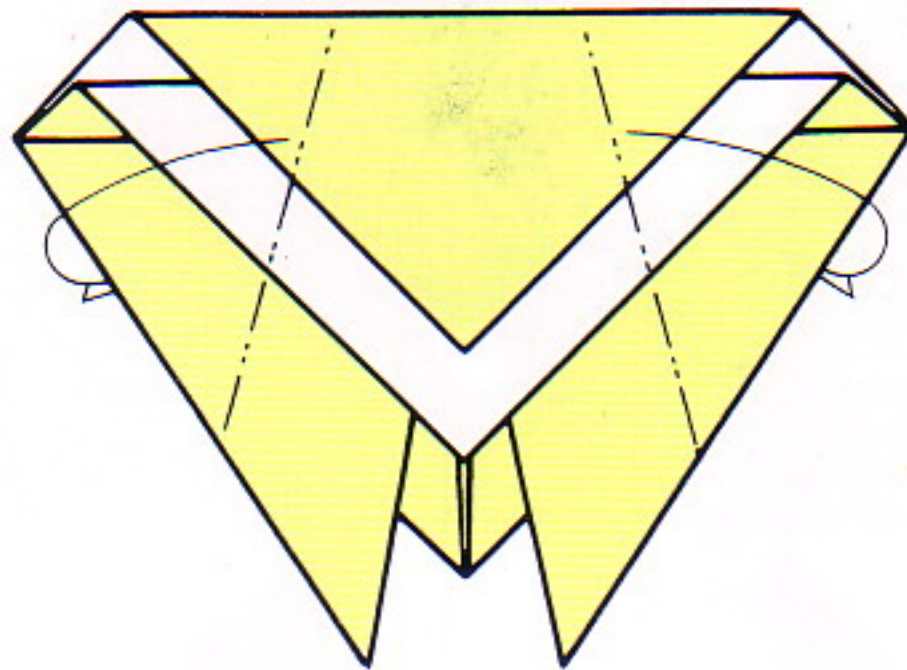
**5**

Fold rear flap down in front.



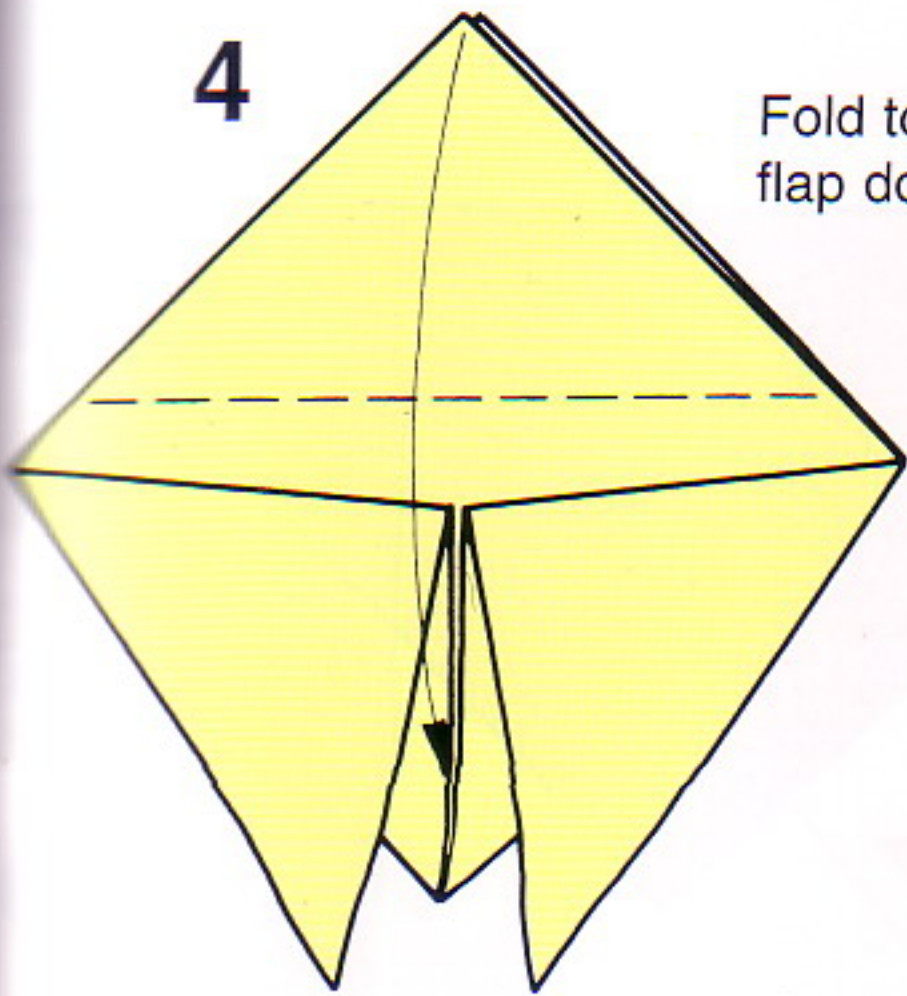
**6**

Fold back on both sides.



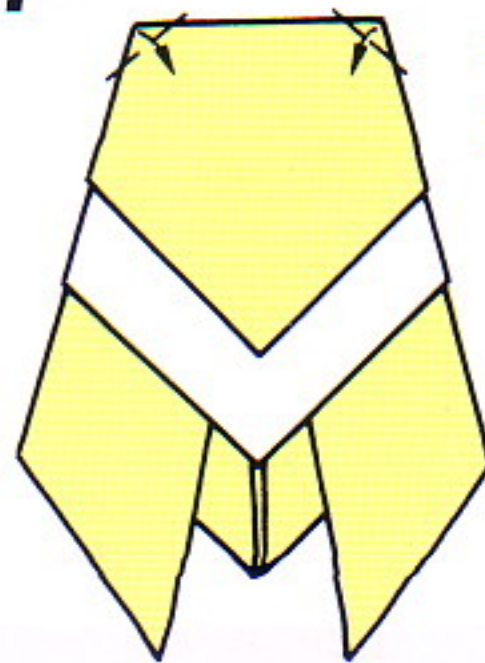
**4**

Fold top front flap down.



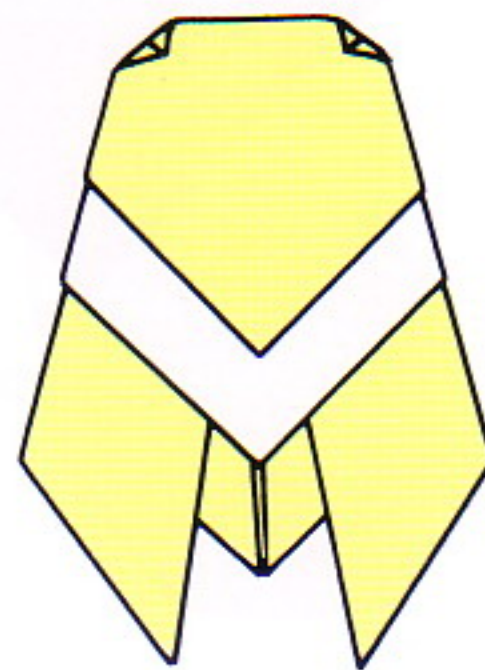
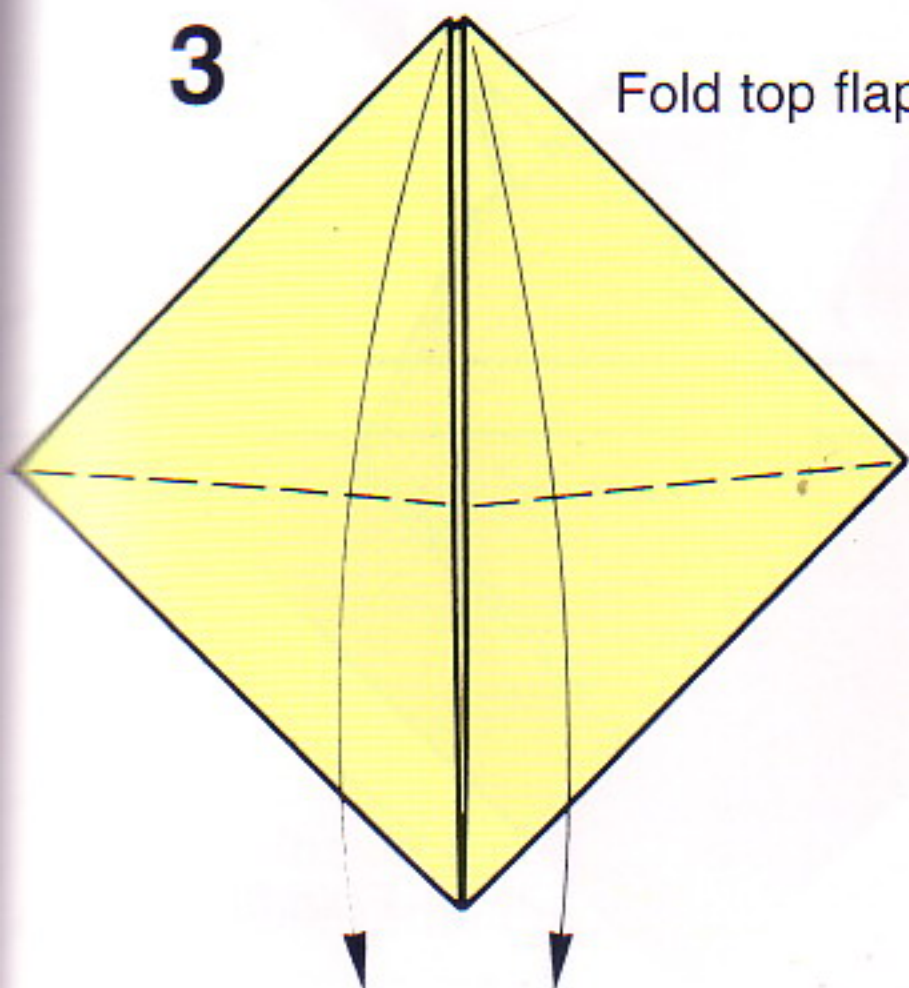
**7**

Fold points up to form eyes.



**3**

Fold top flaps down.

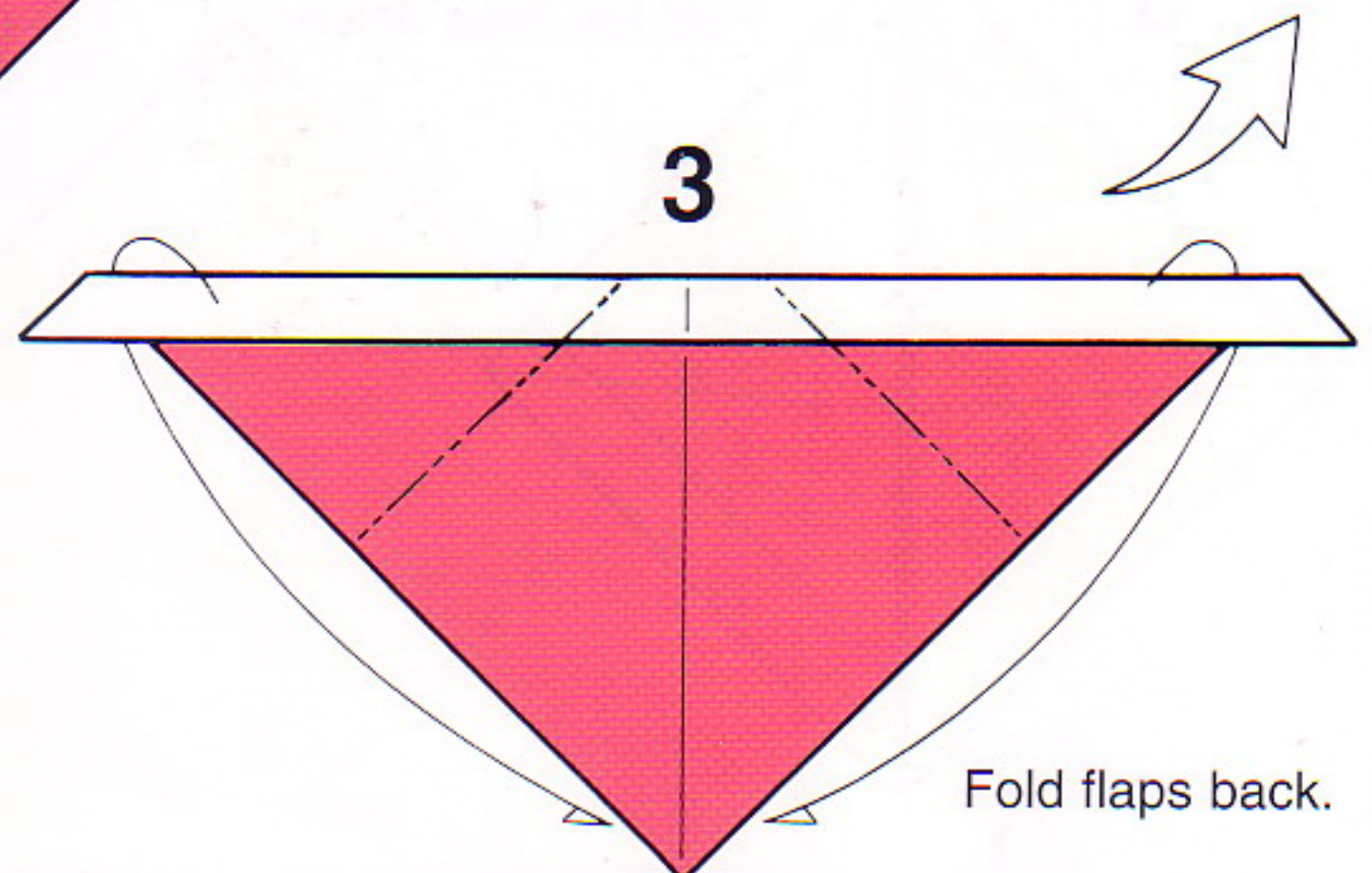
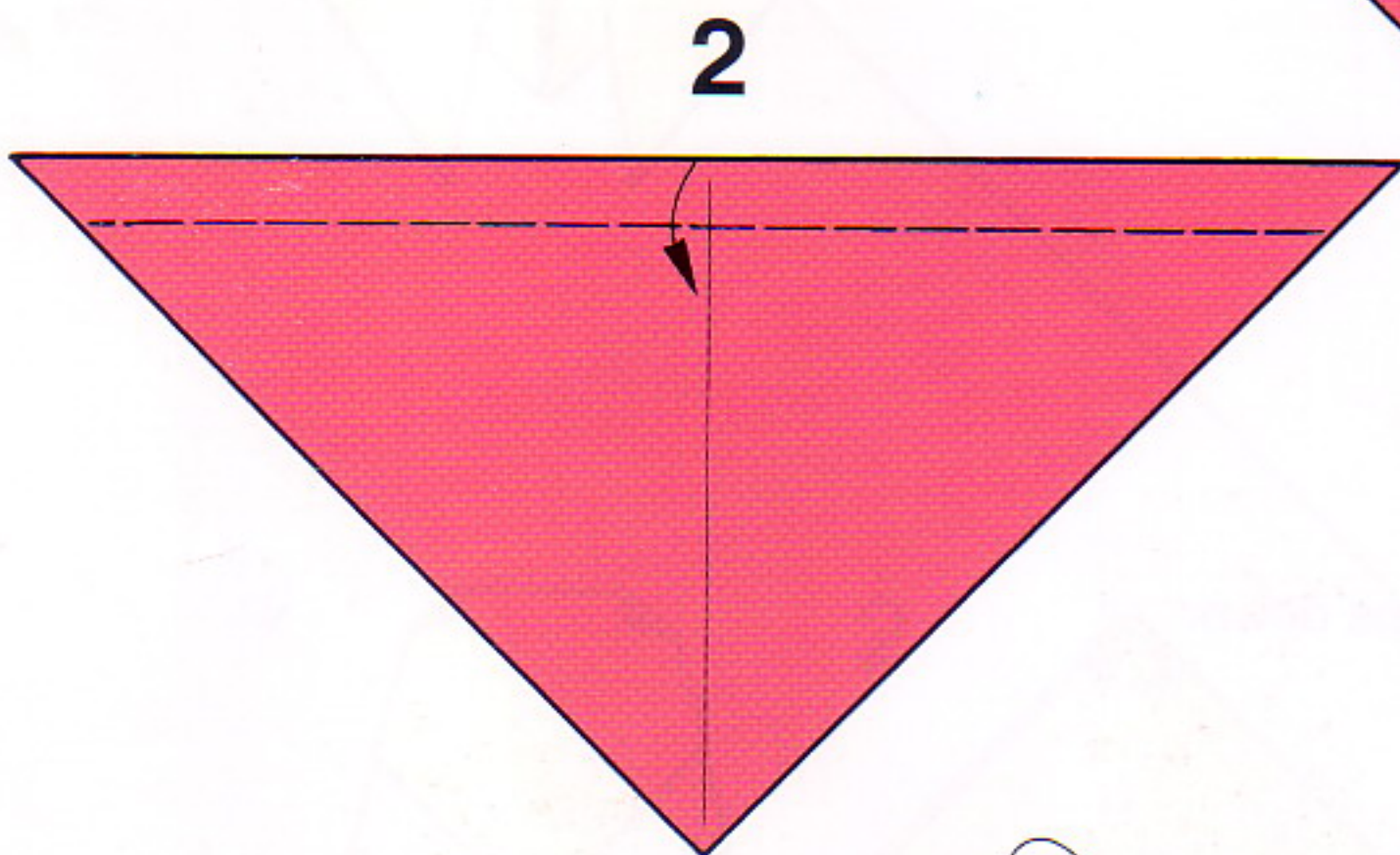
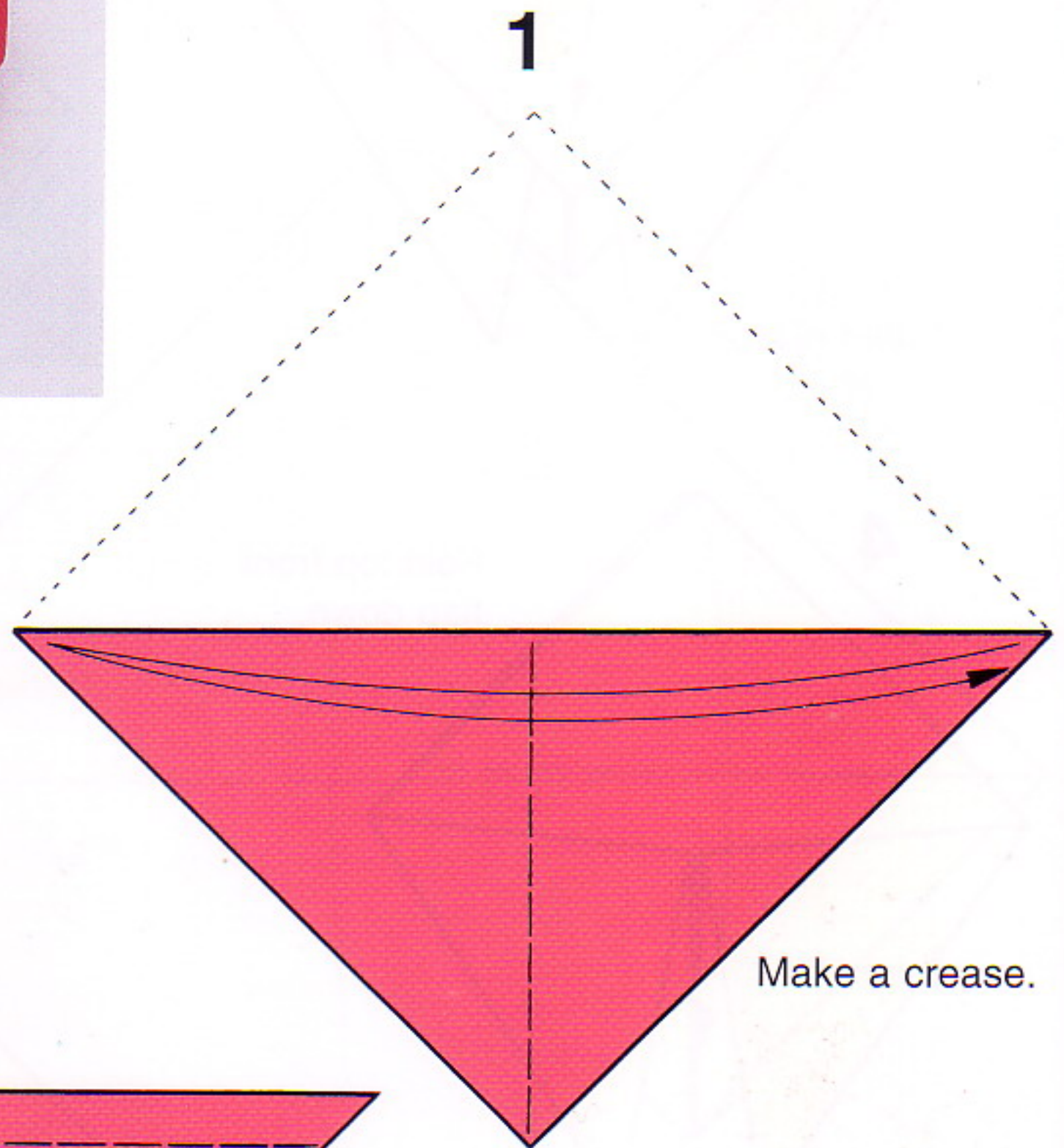
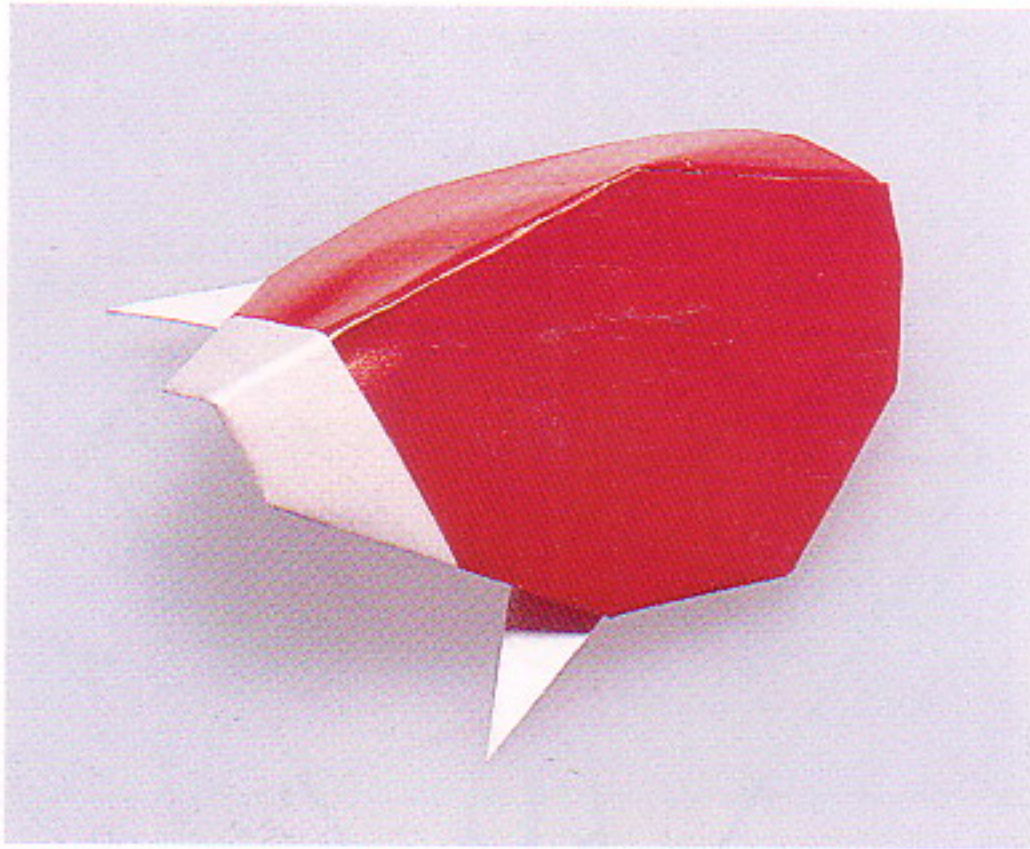


Completed.

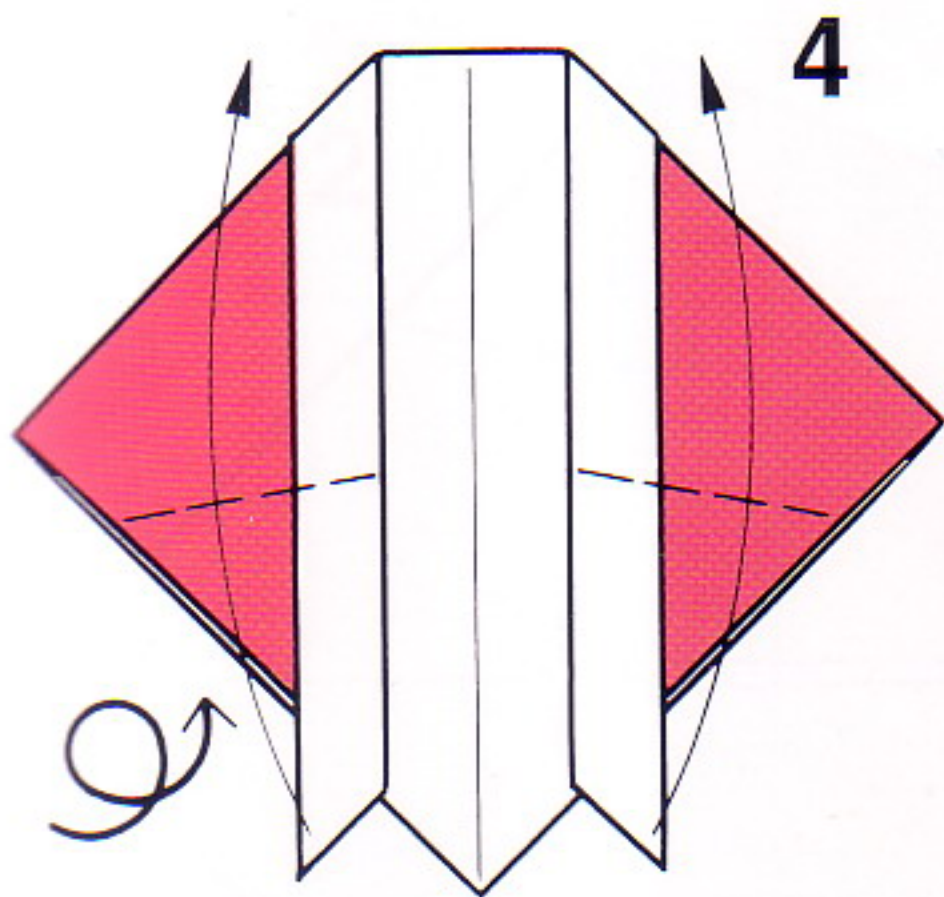


# LADYBUG

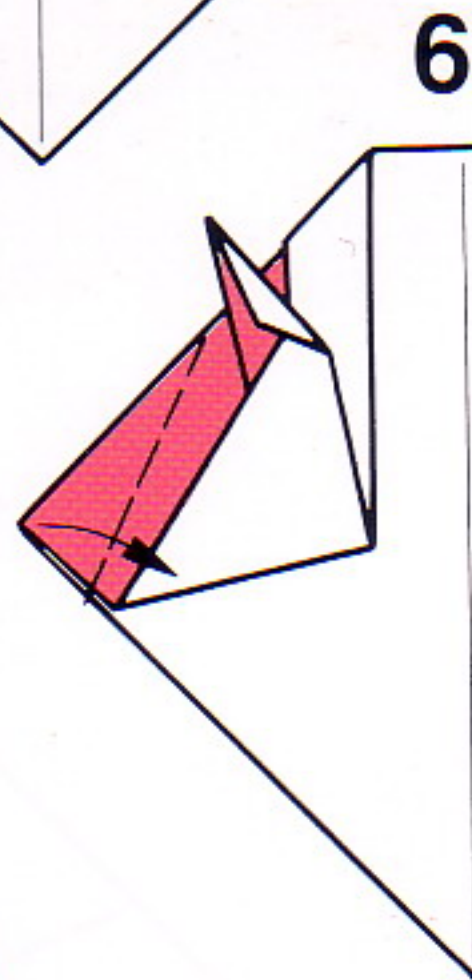
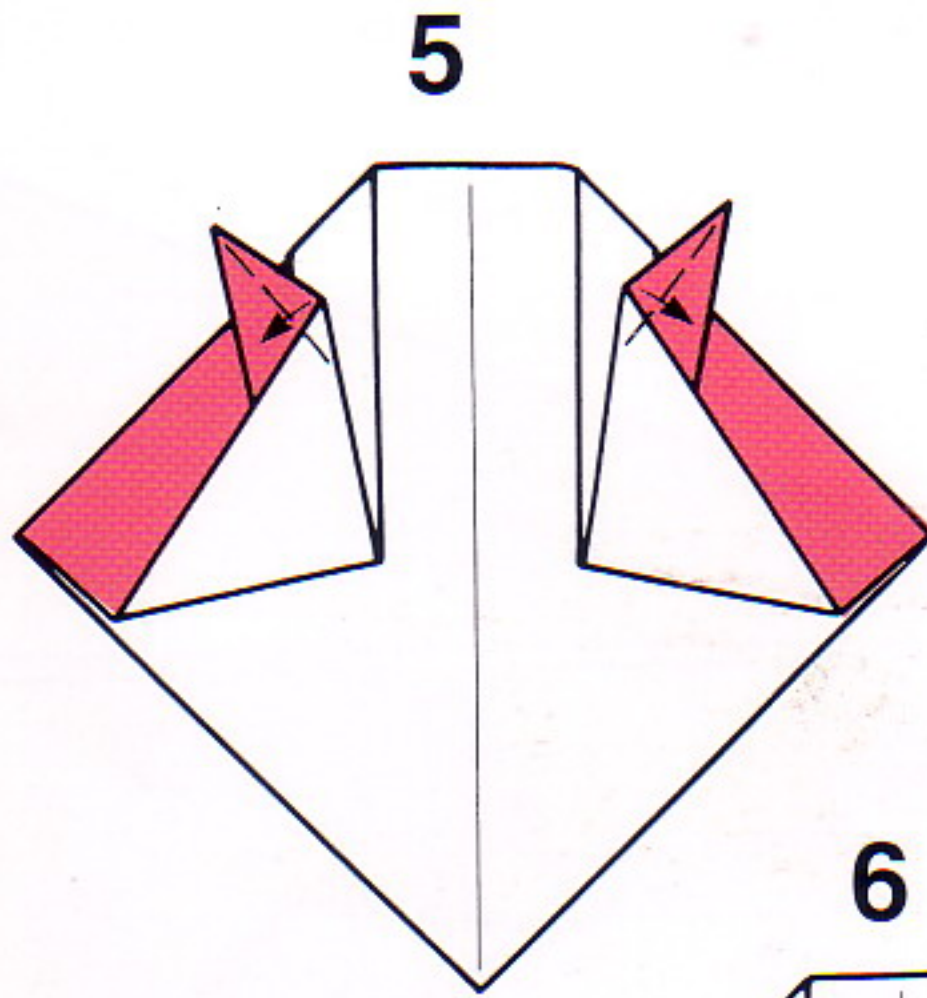
Use half of origami as shown.



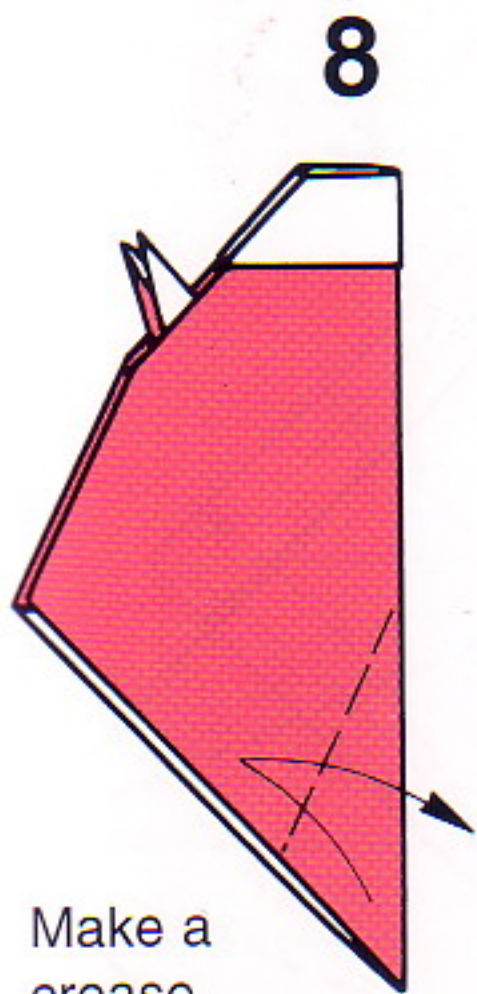
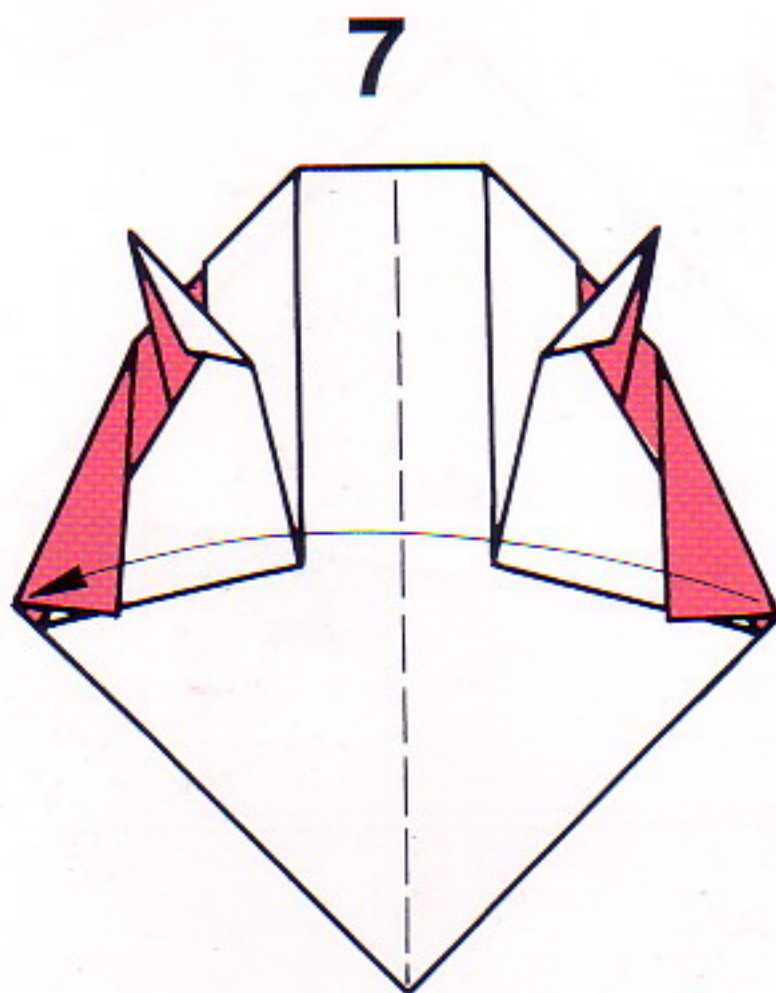




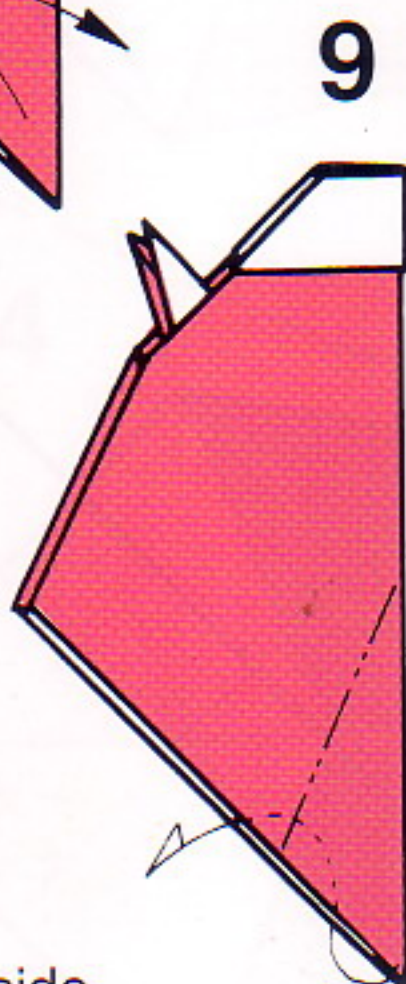
Turn over and fold bottom flaps up.



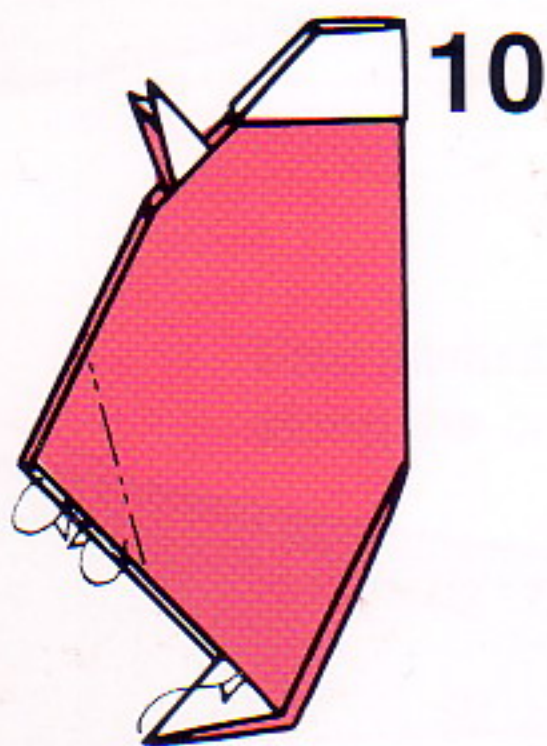
Fold in.



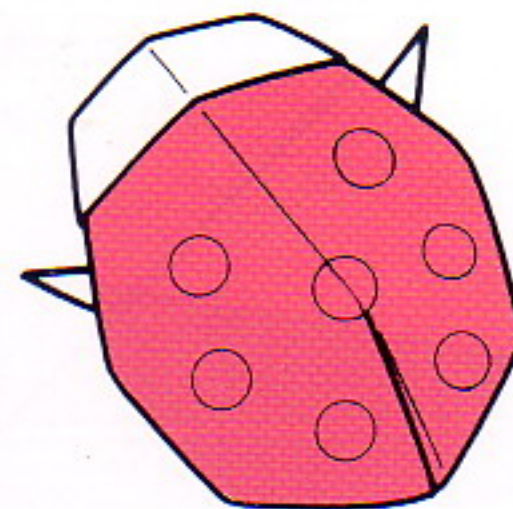
Make a crease.



Inside Reverse Fold.



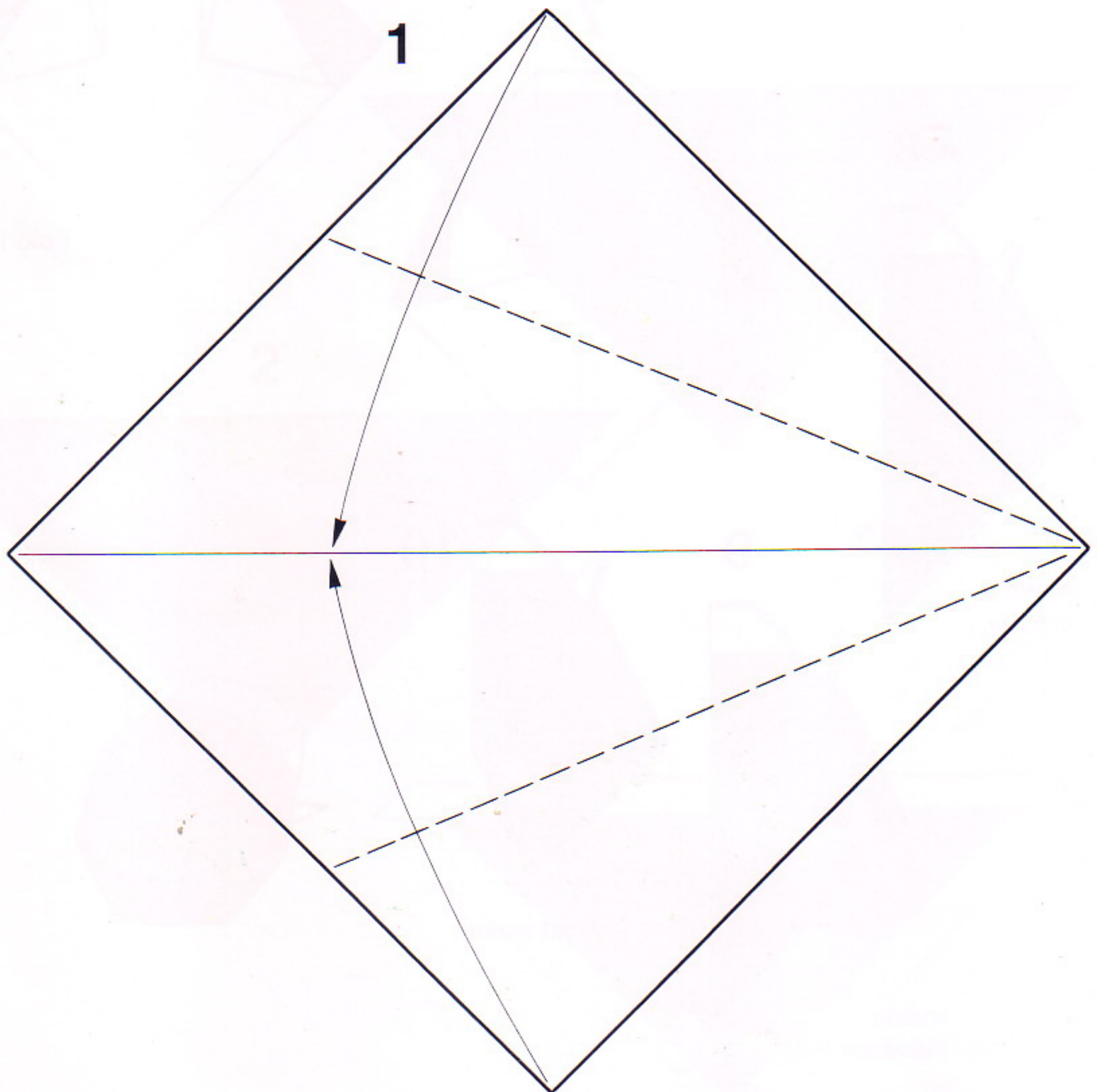
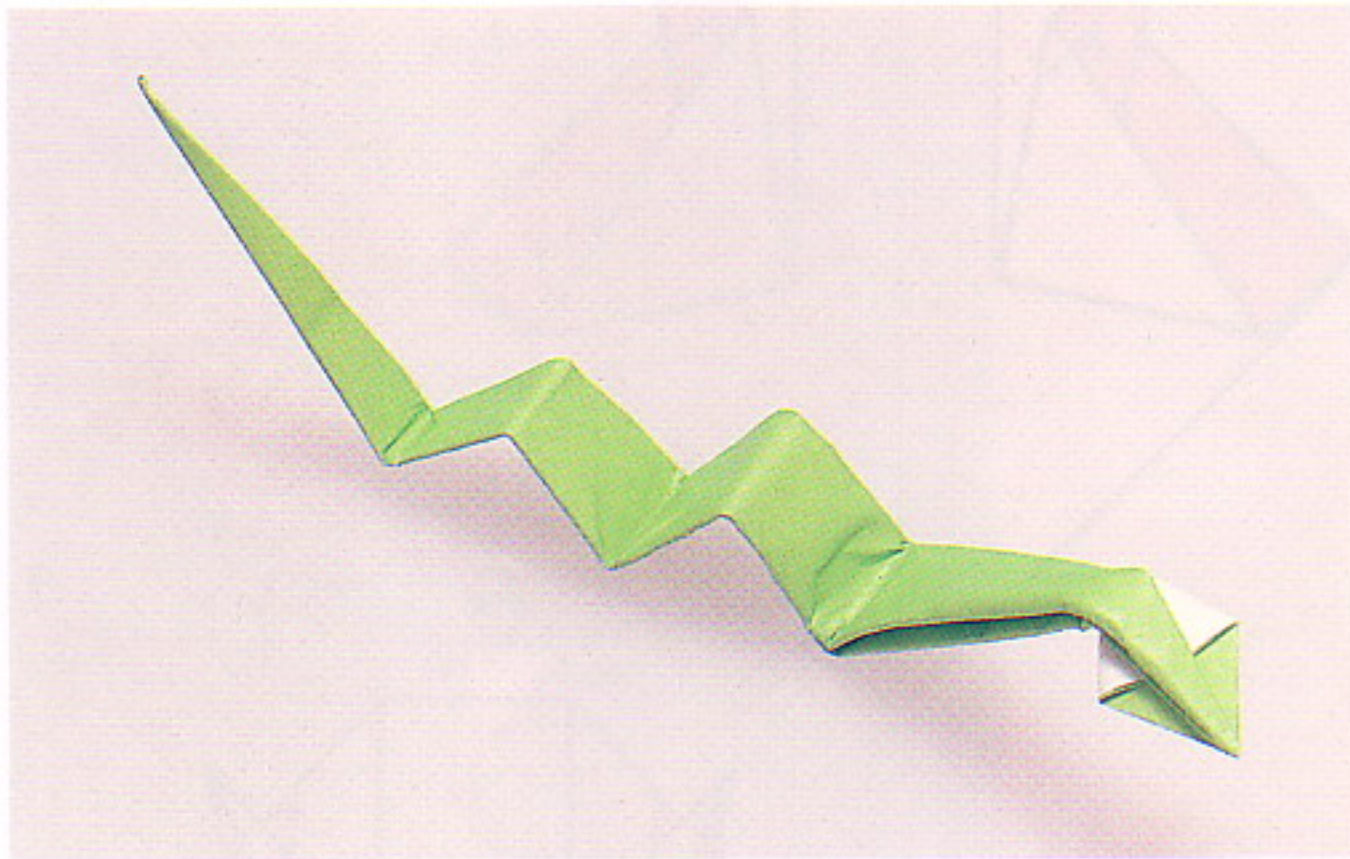
Fold inside.



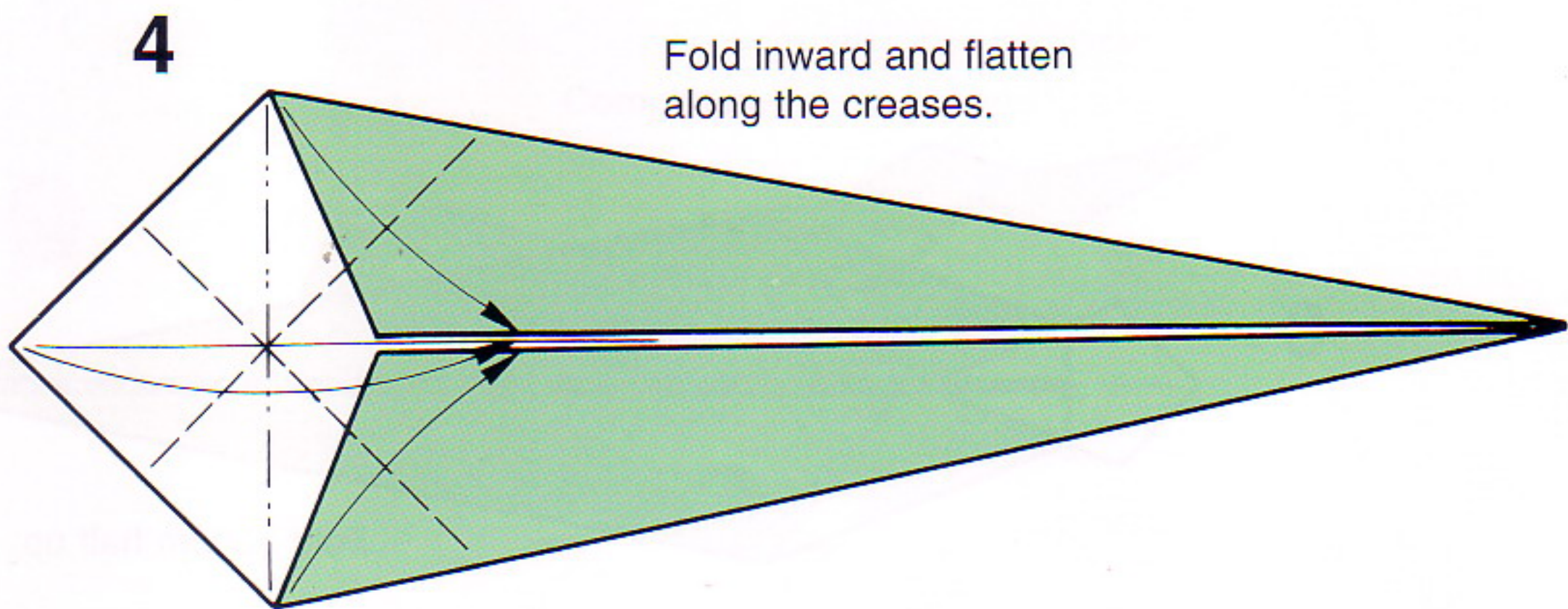
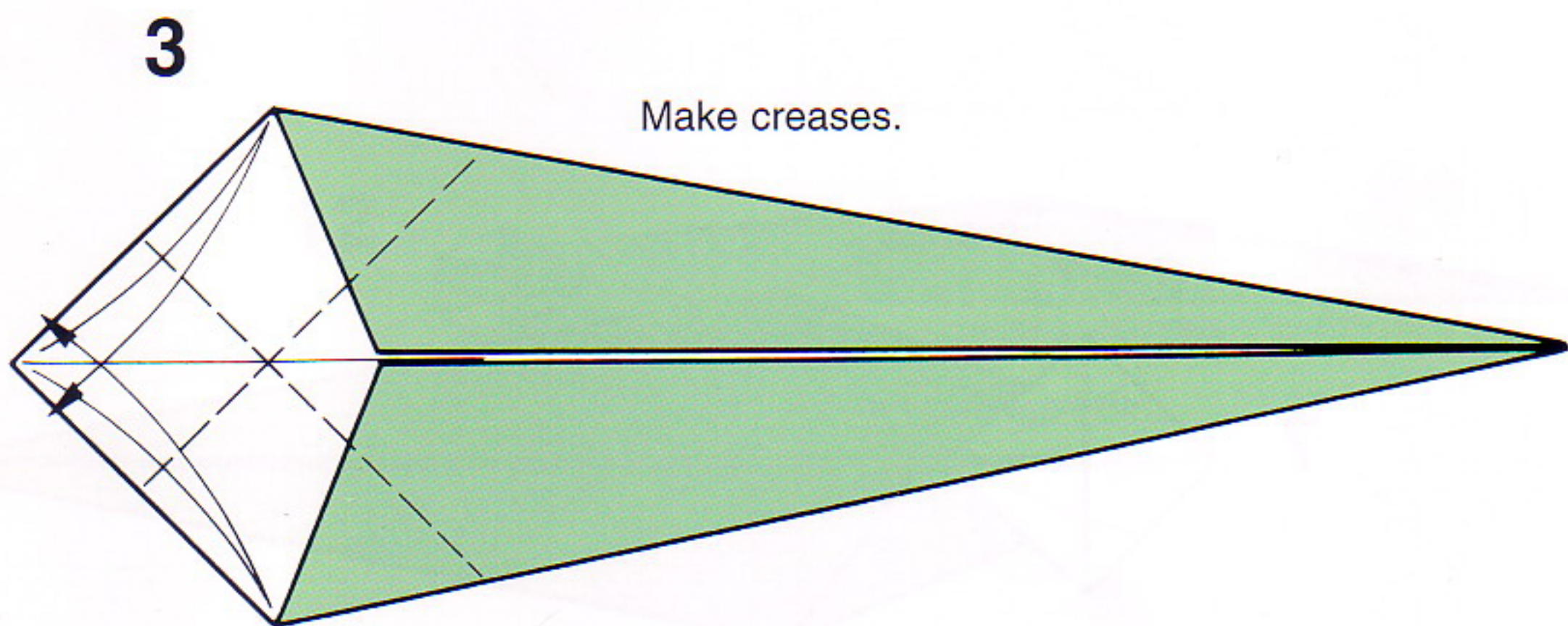
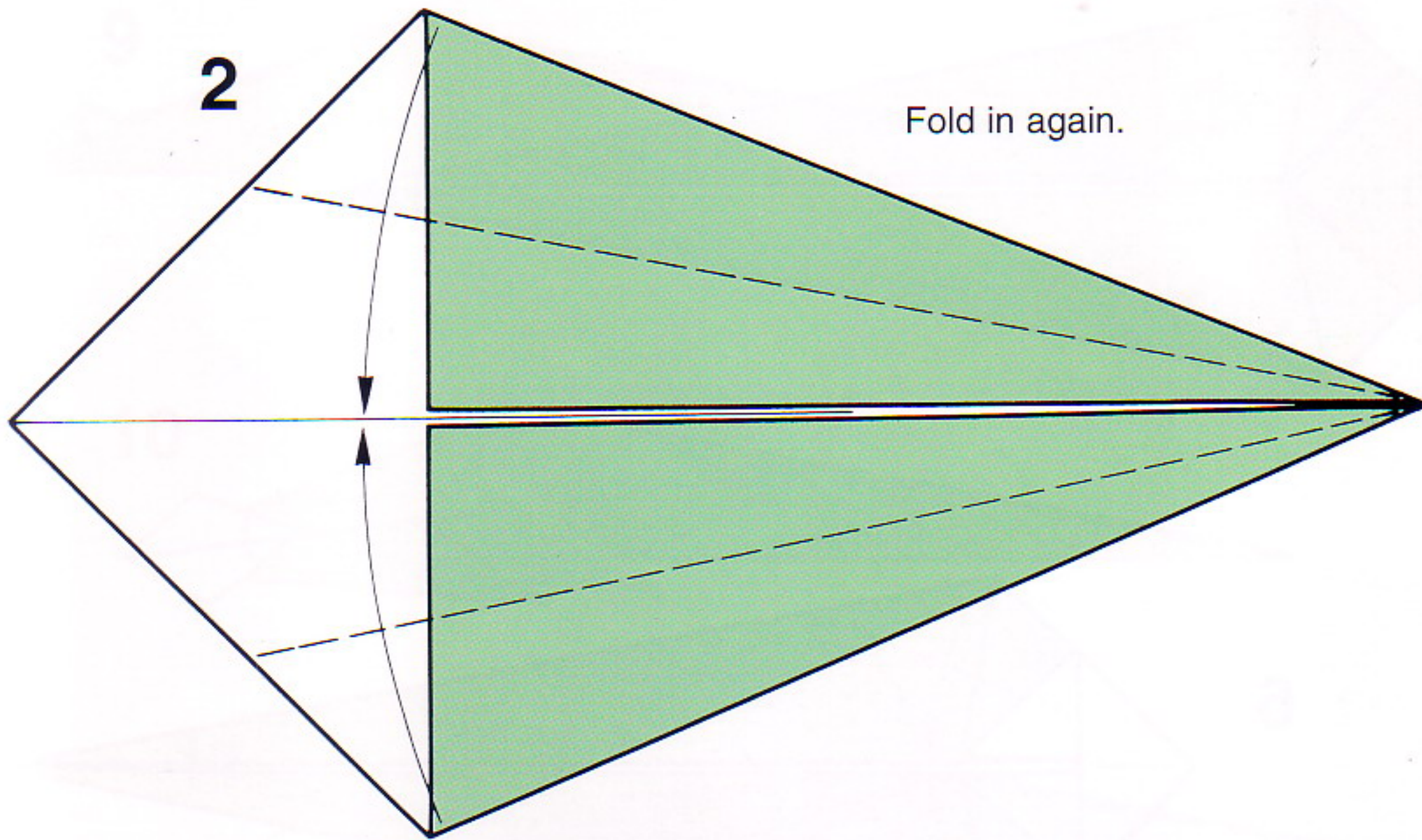
Completed.



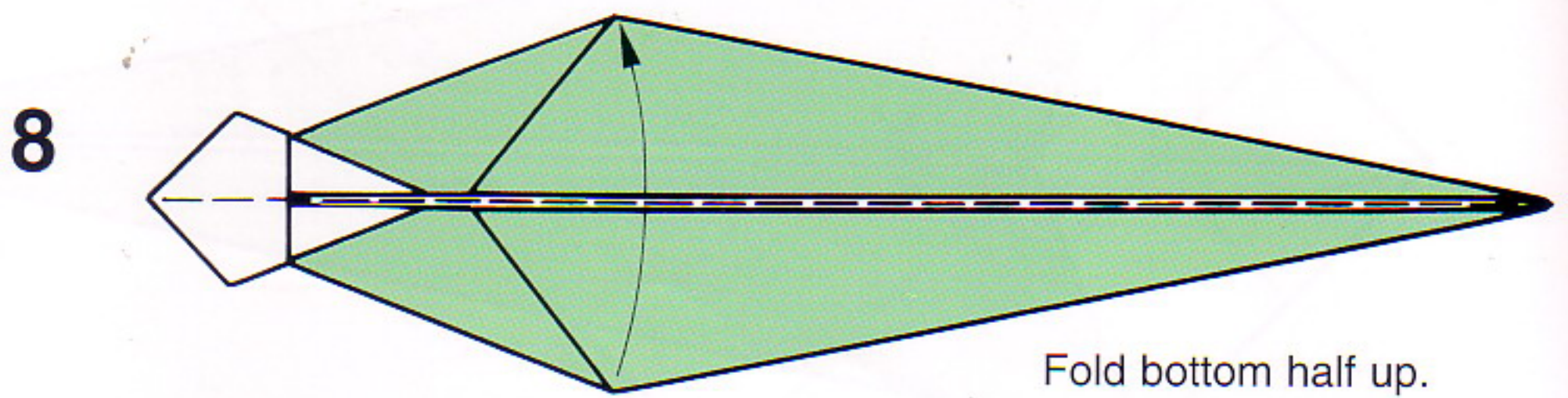
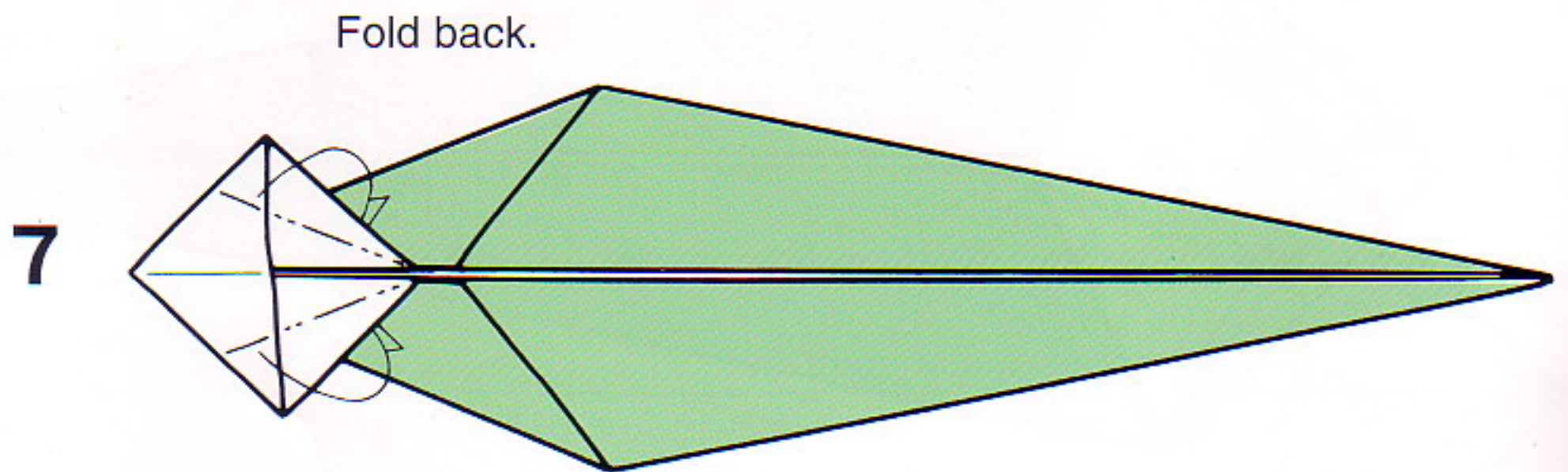
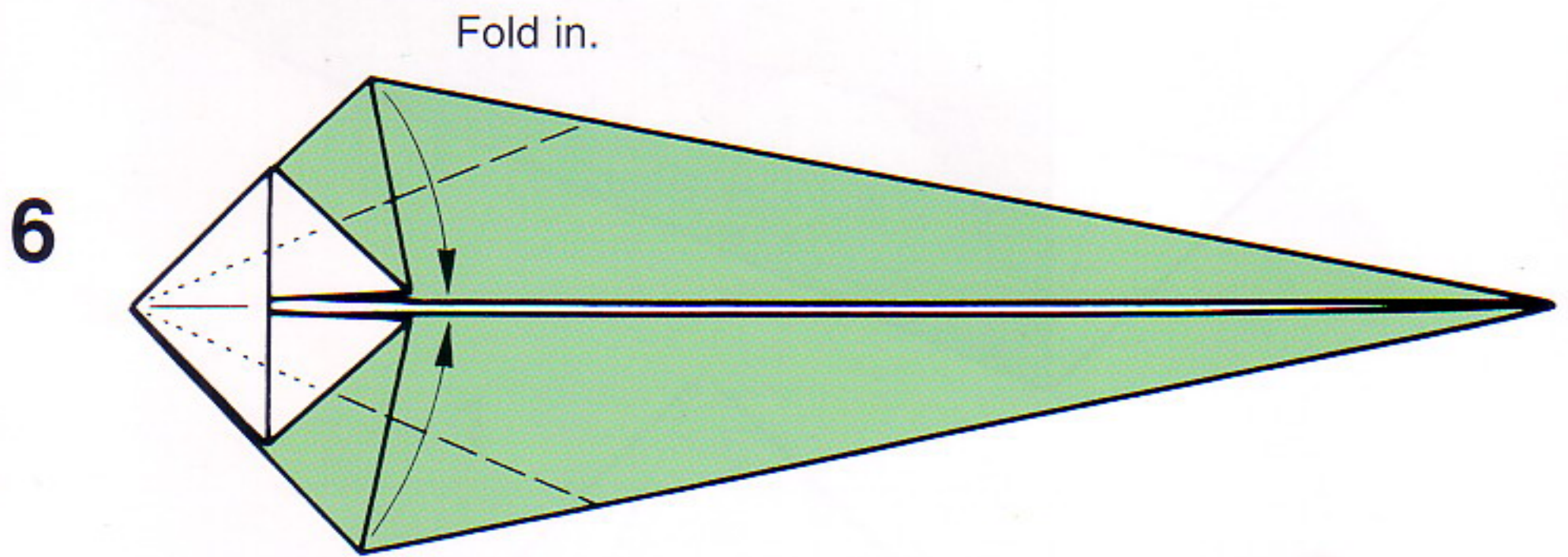
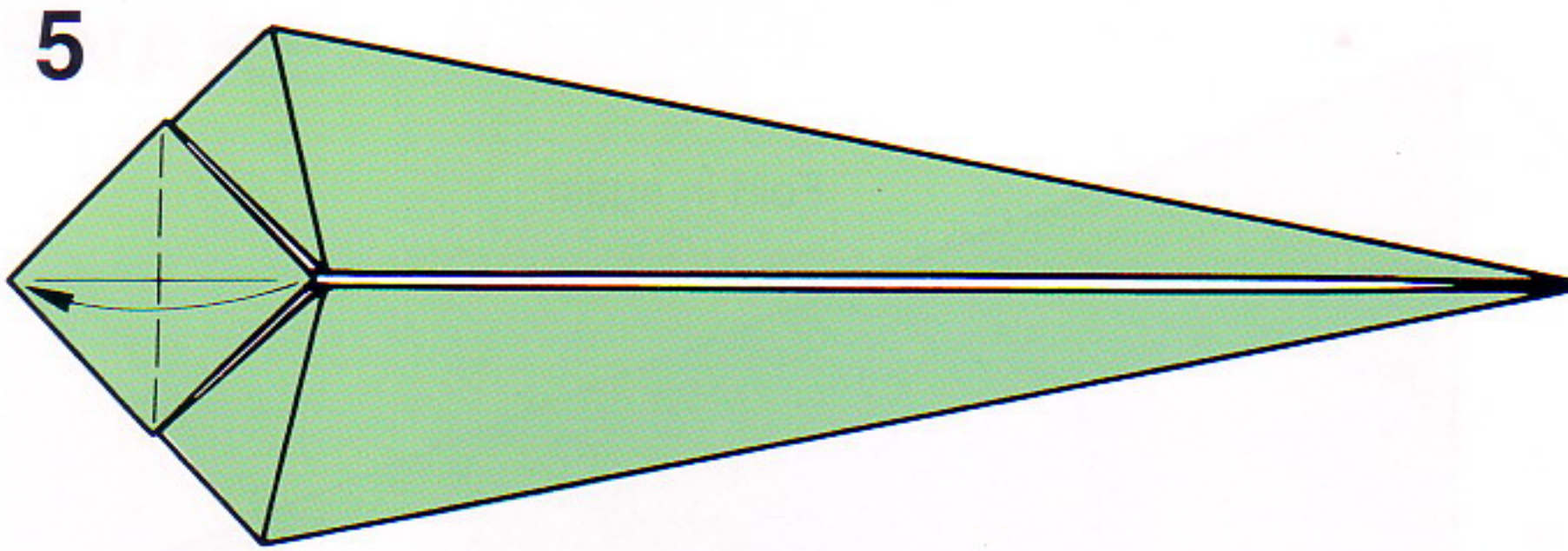
# SNAKE





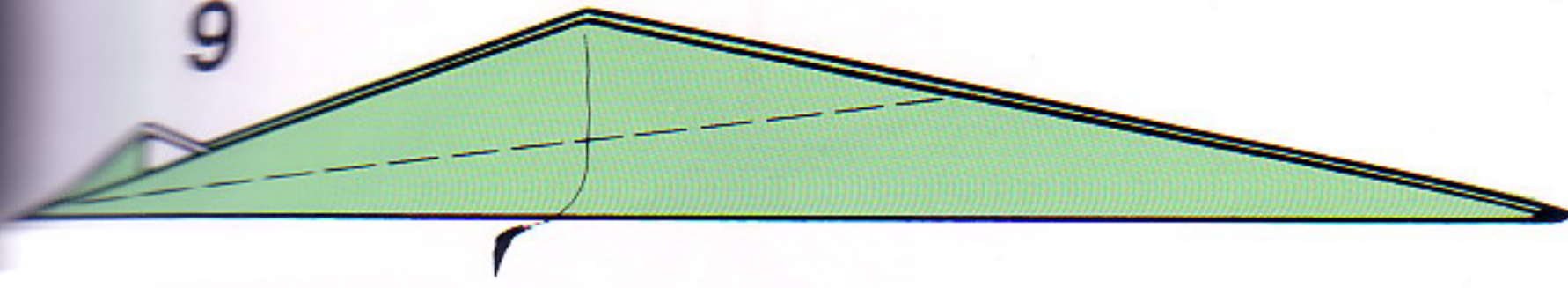




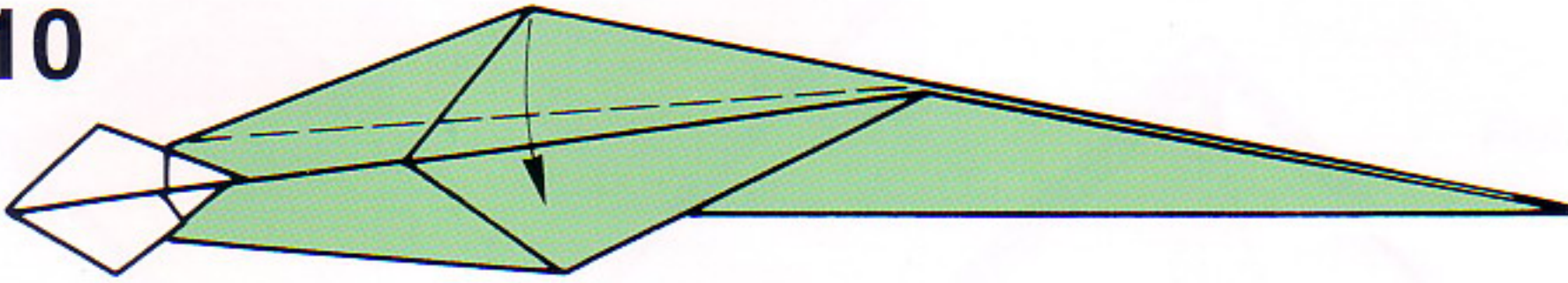




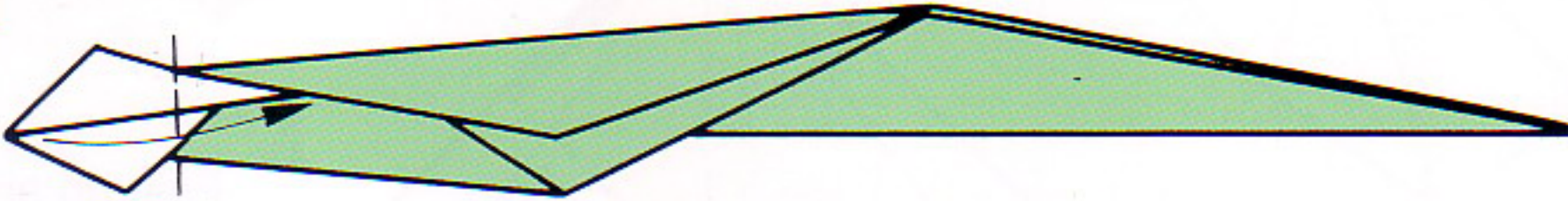
9



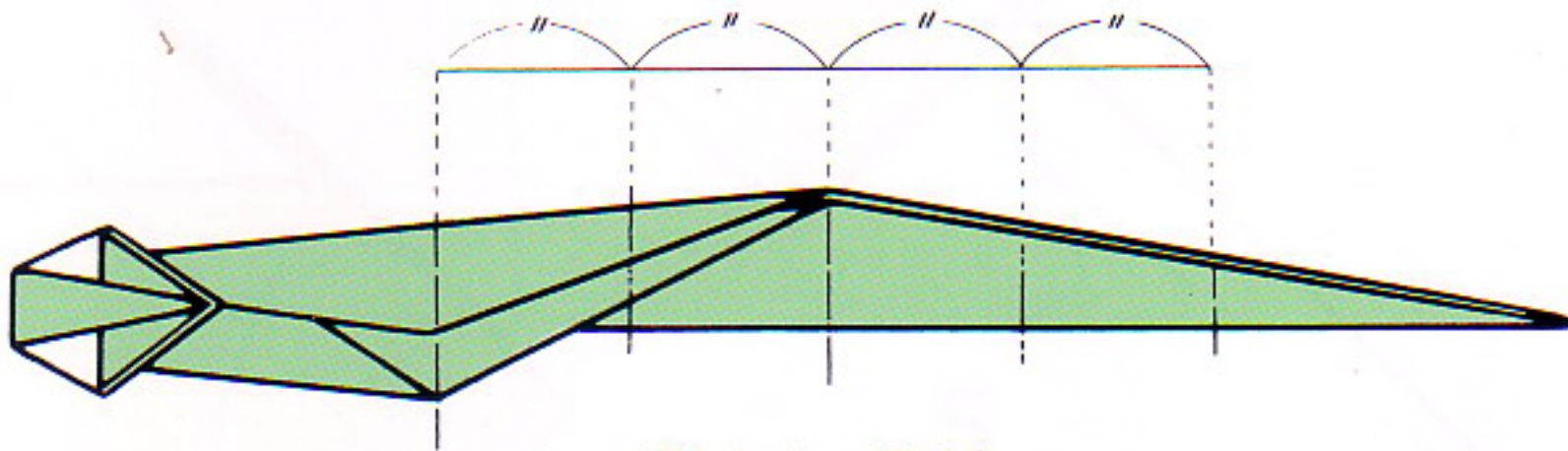
10



11

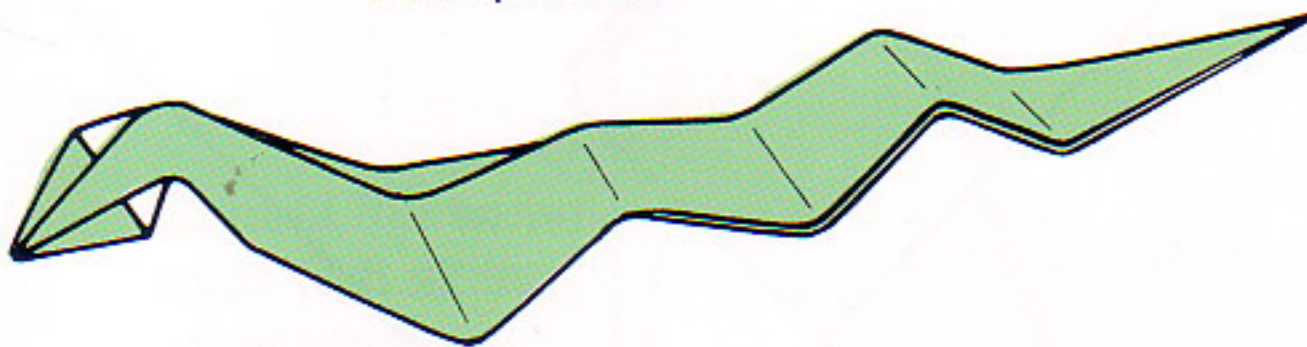


12



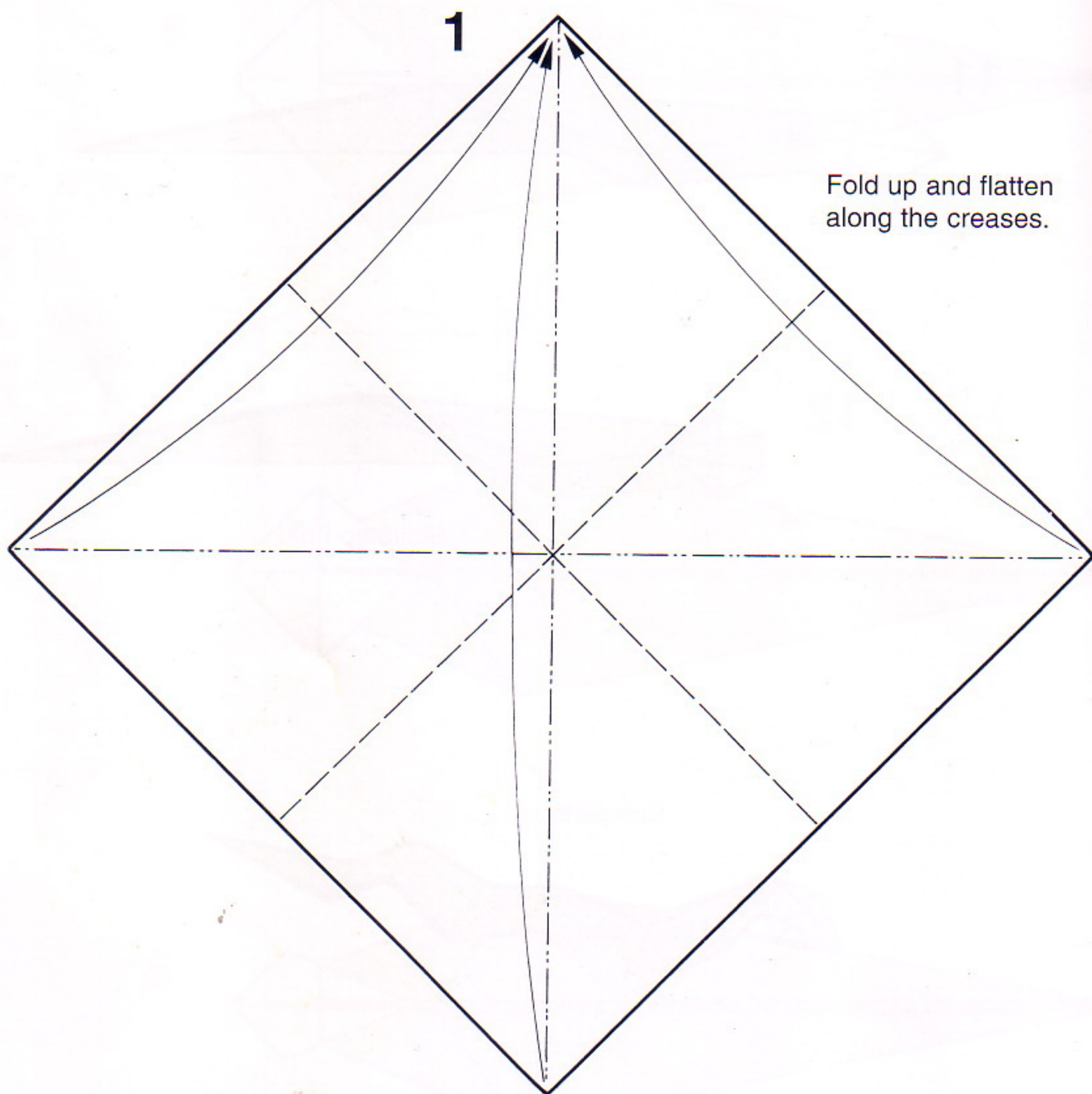
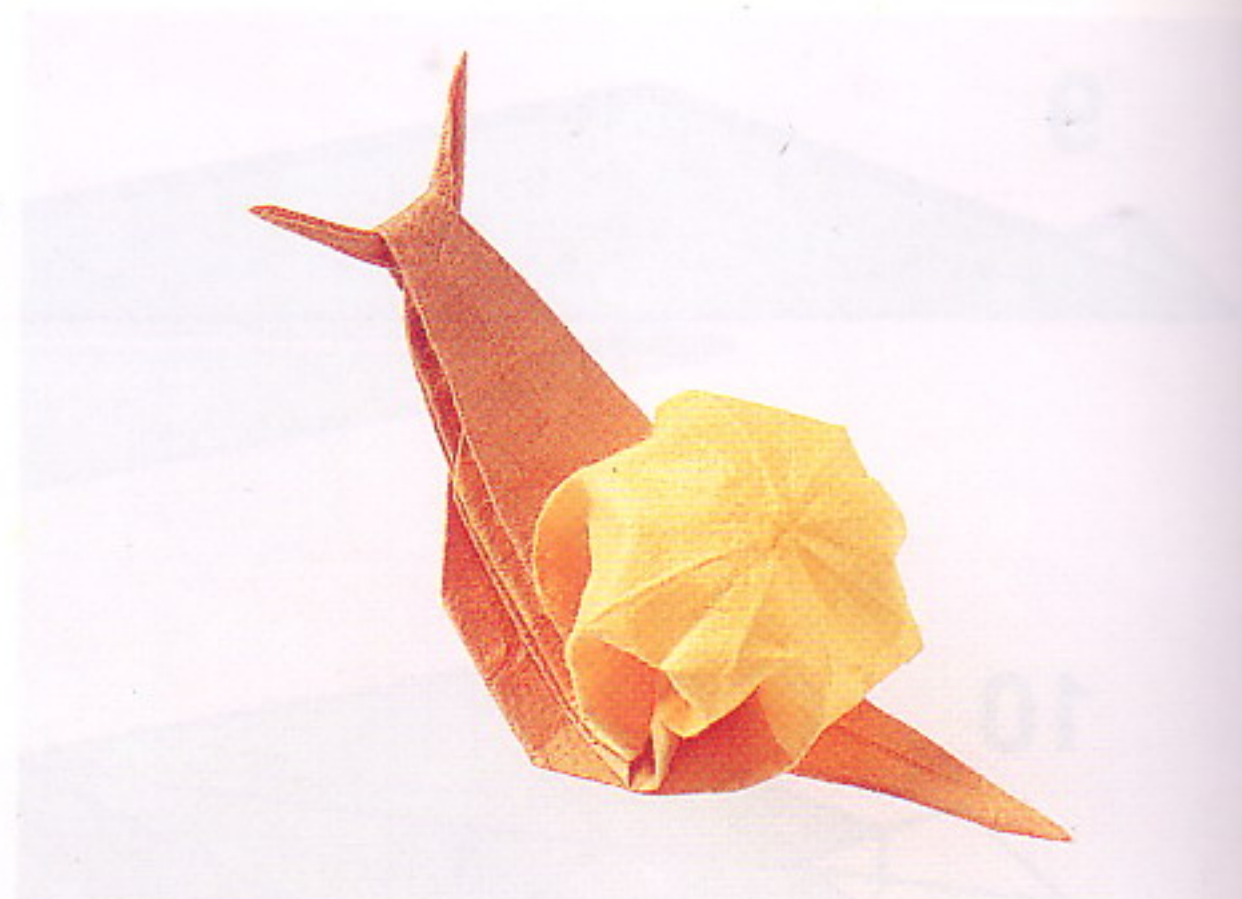
Stairstep Fold.

Completed.

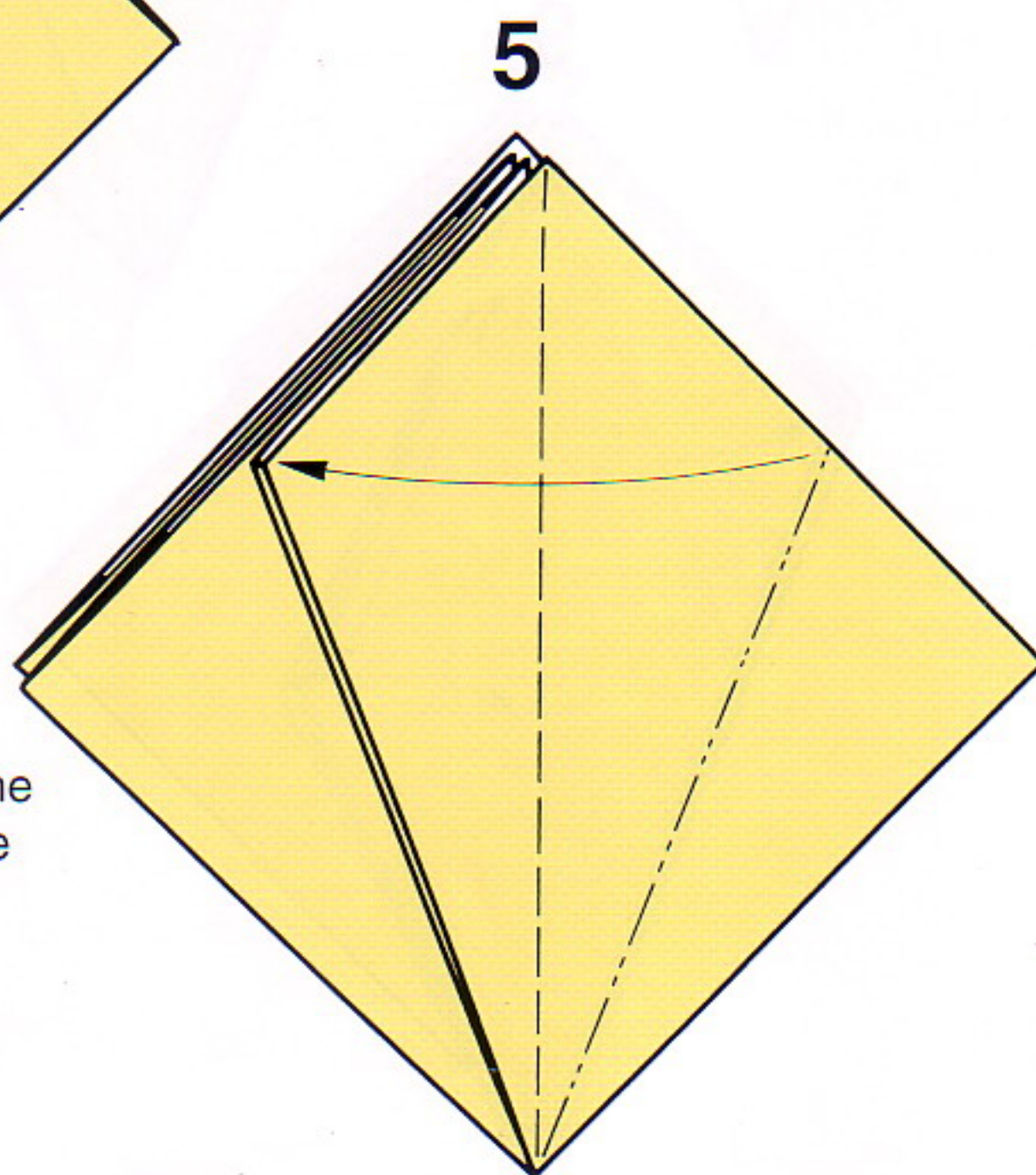
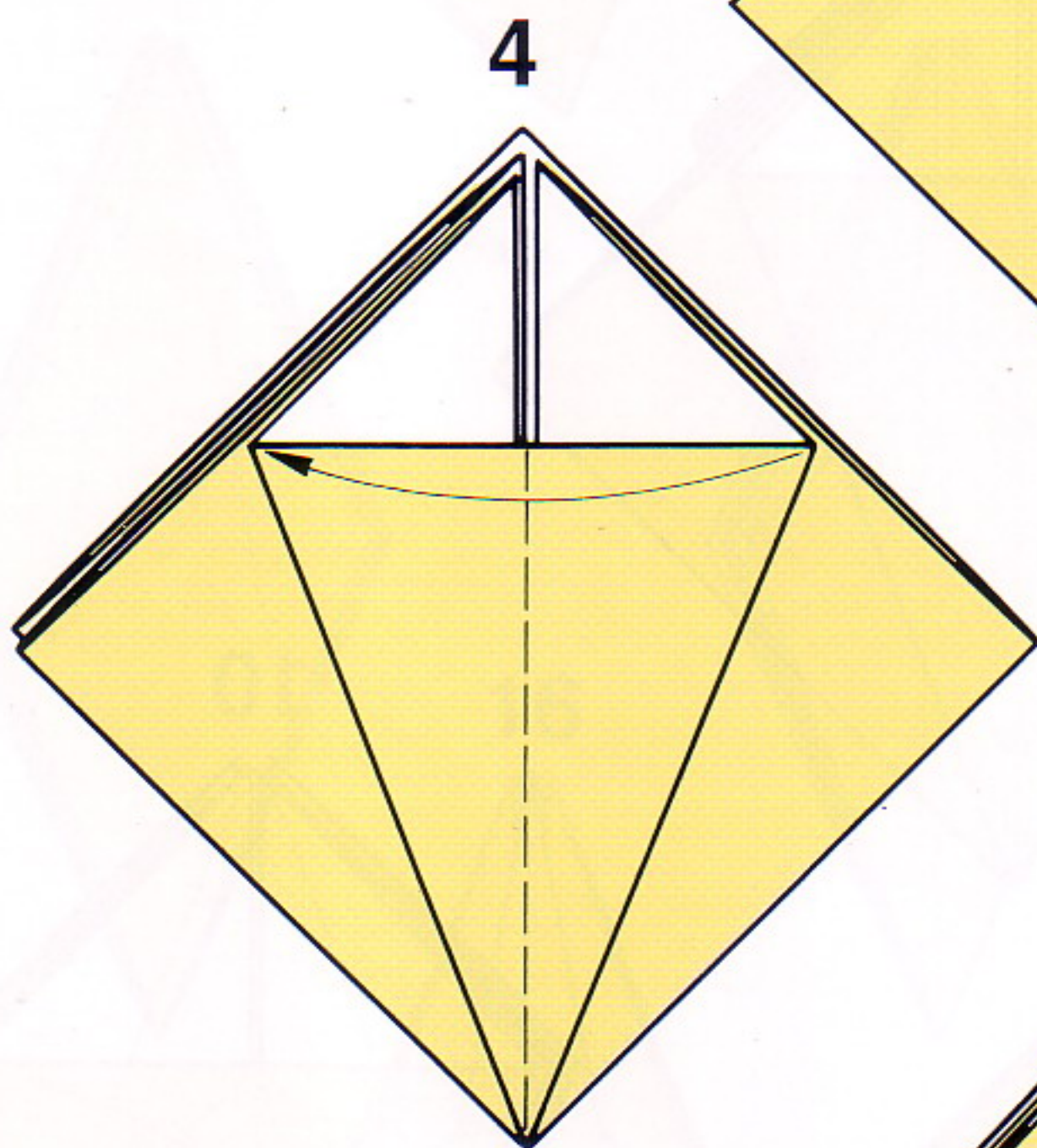
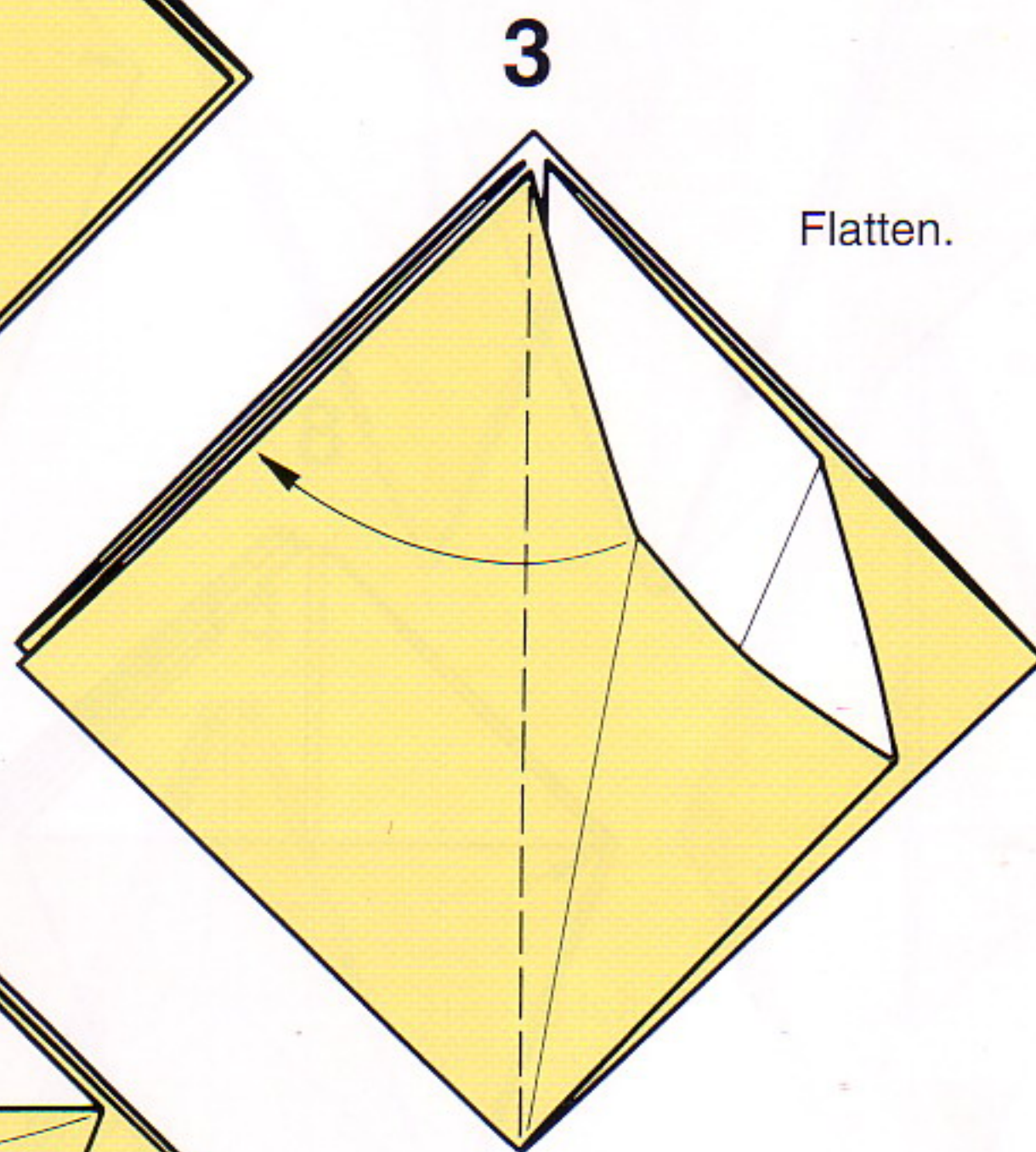
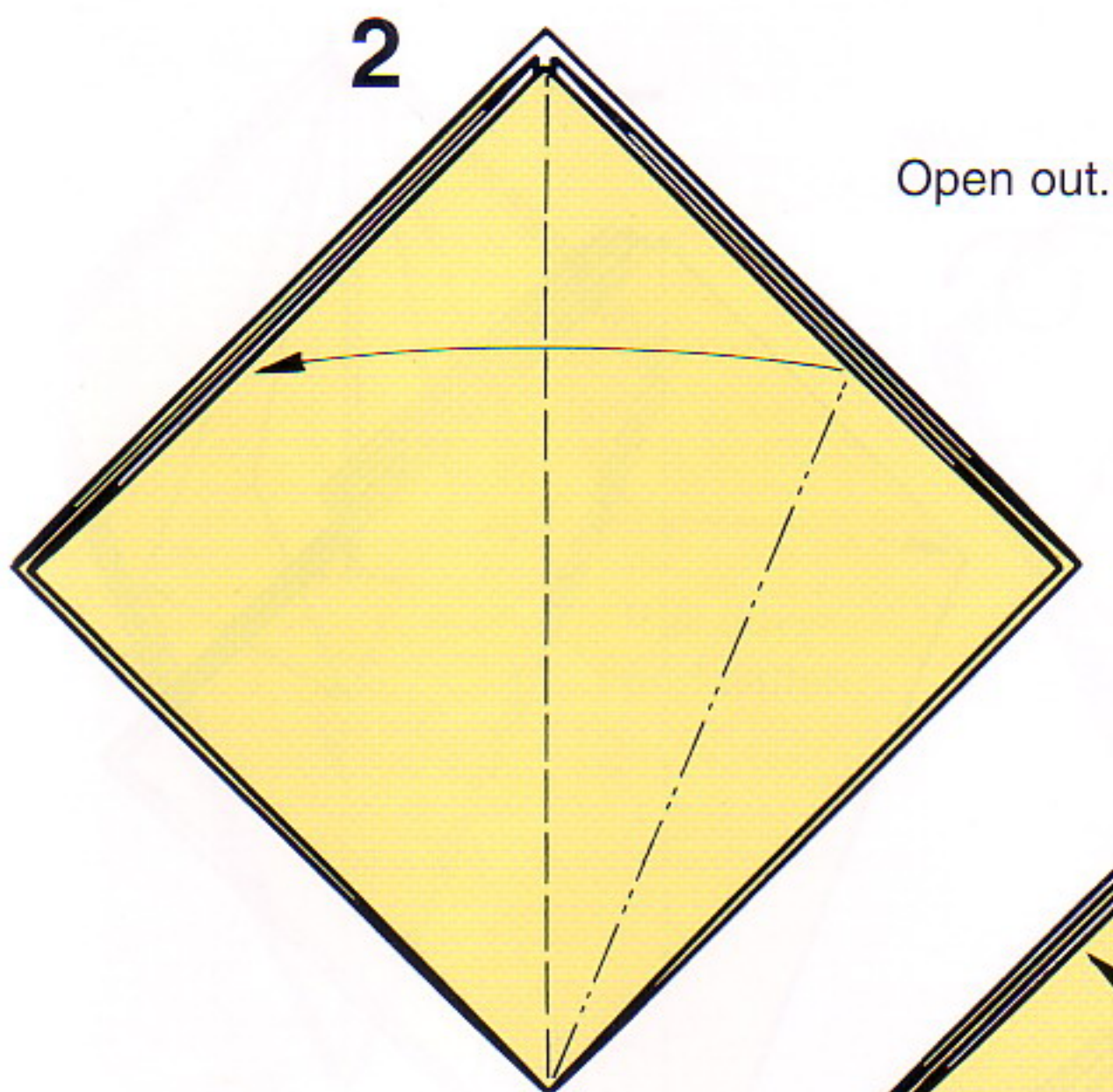




# SNAIL

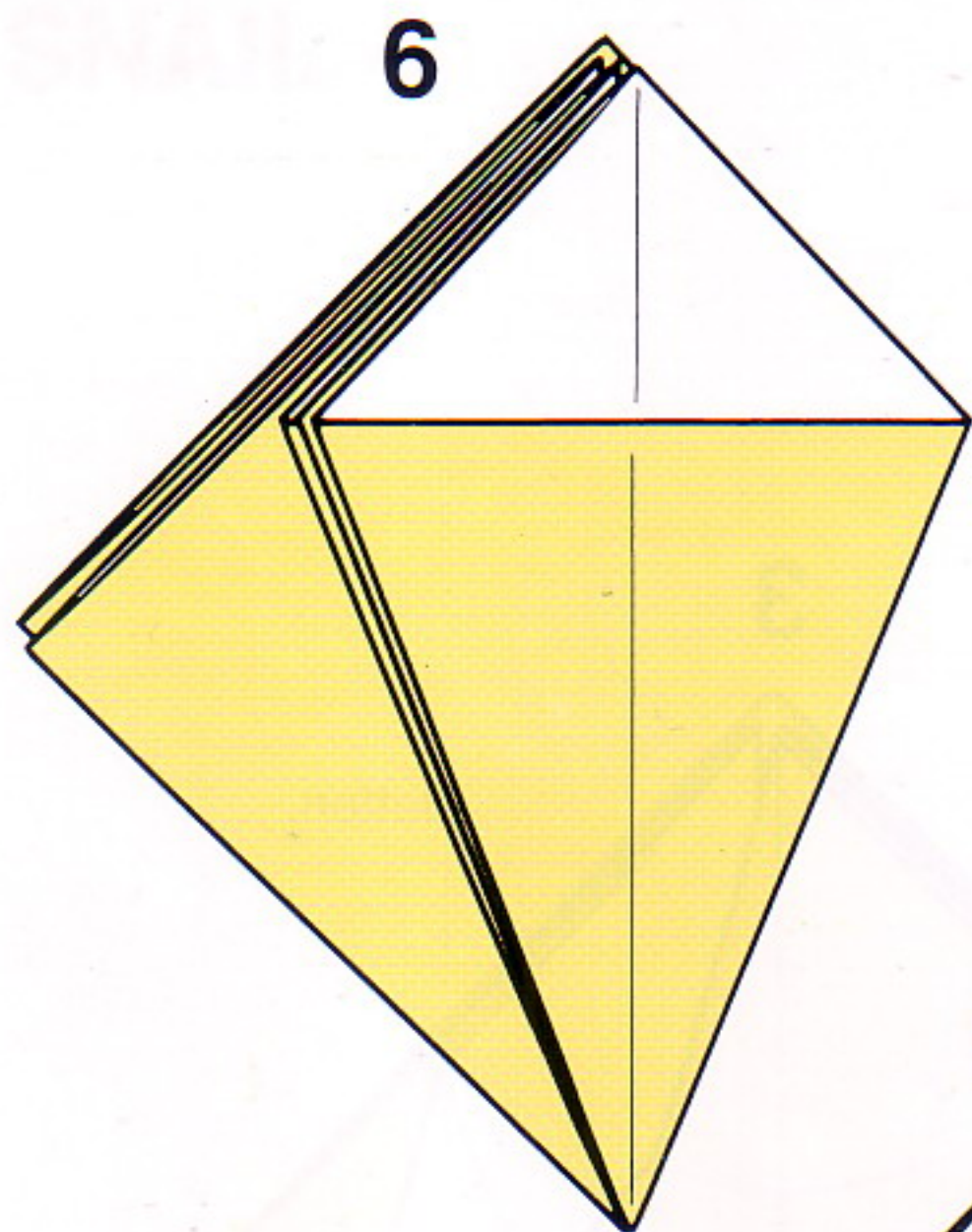




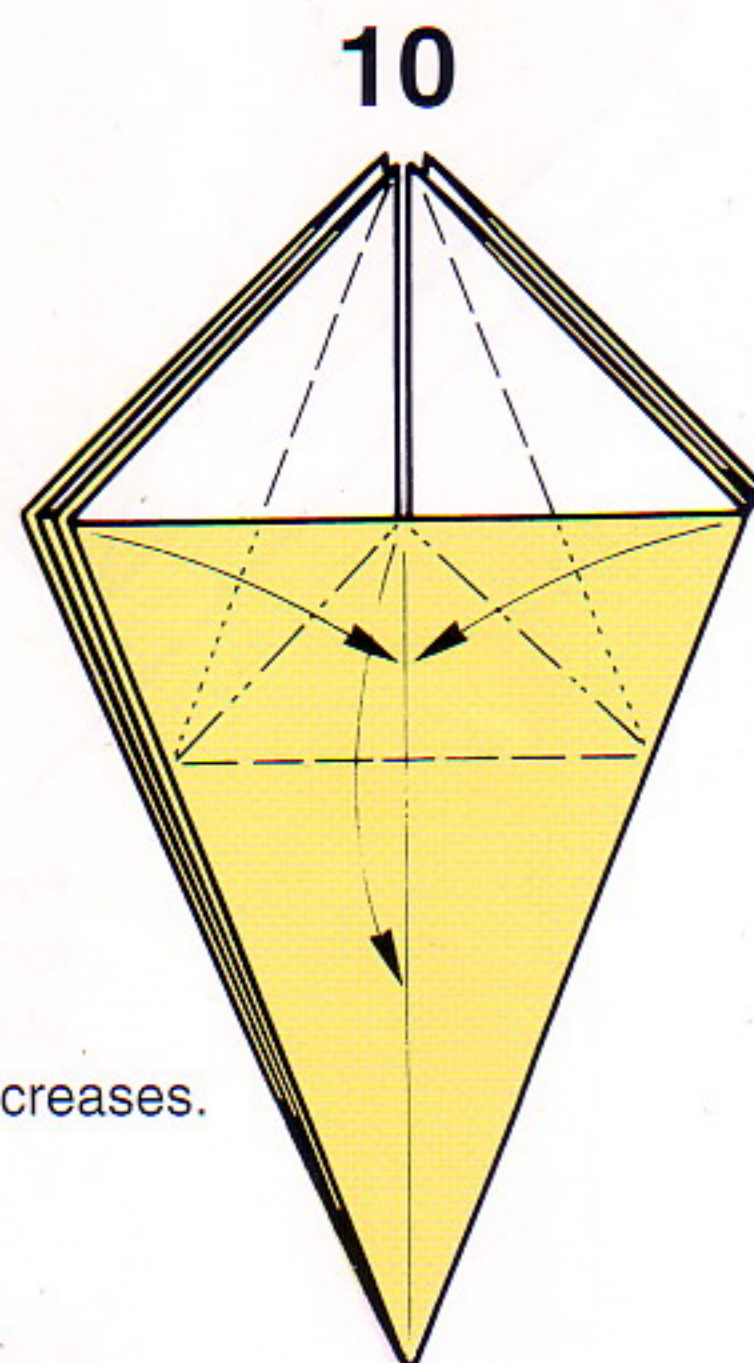
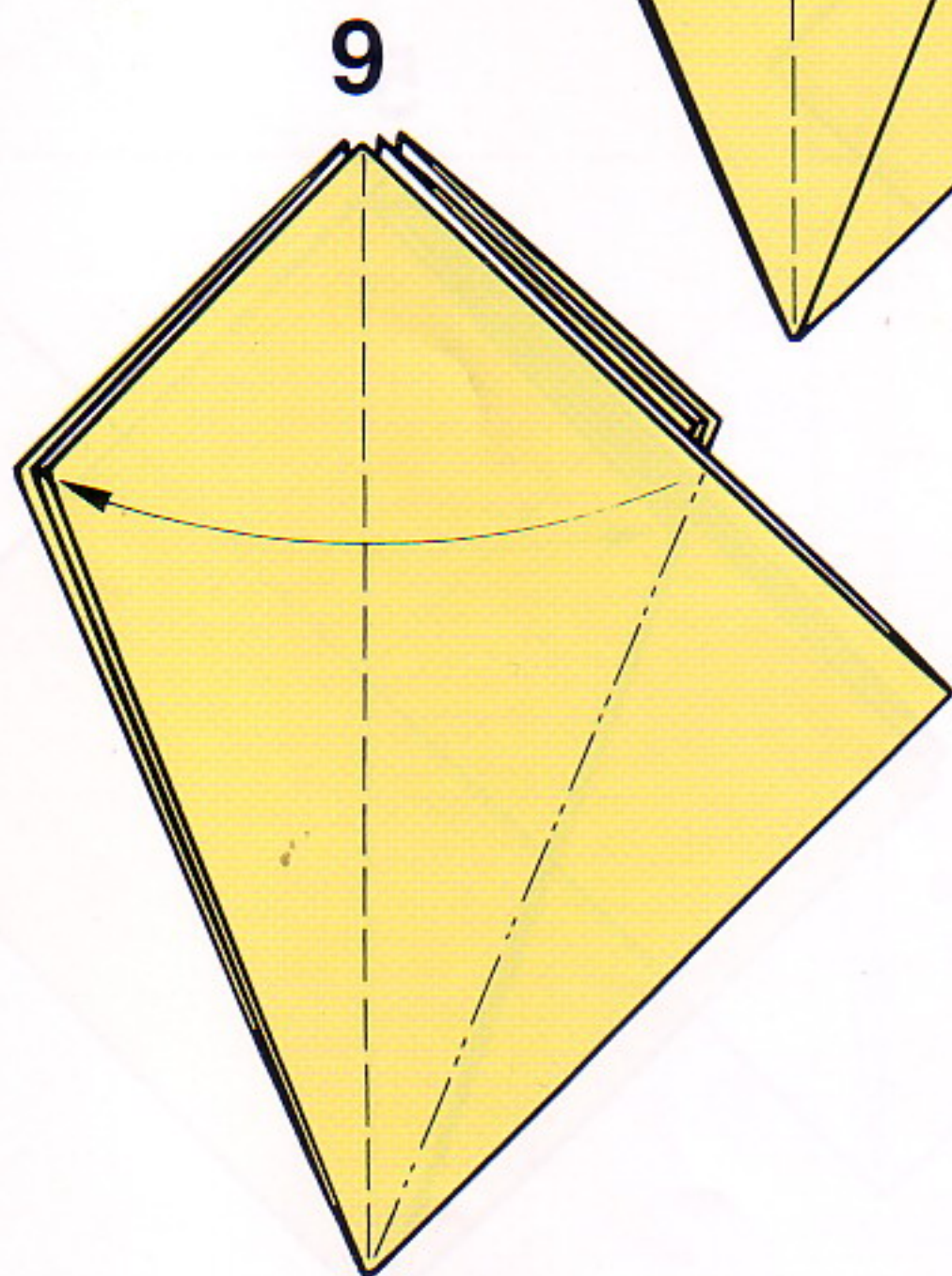
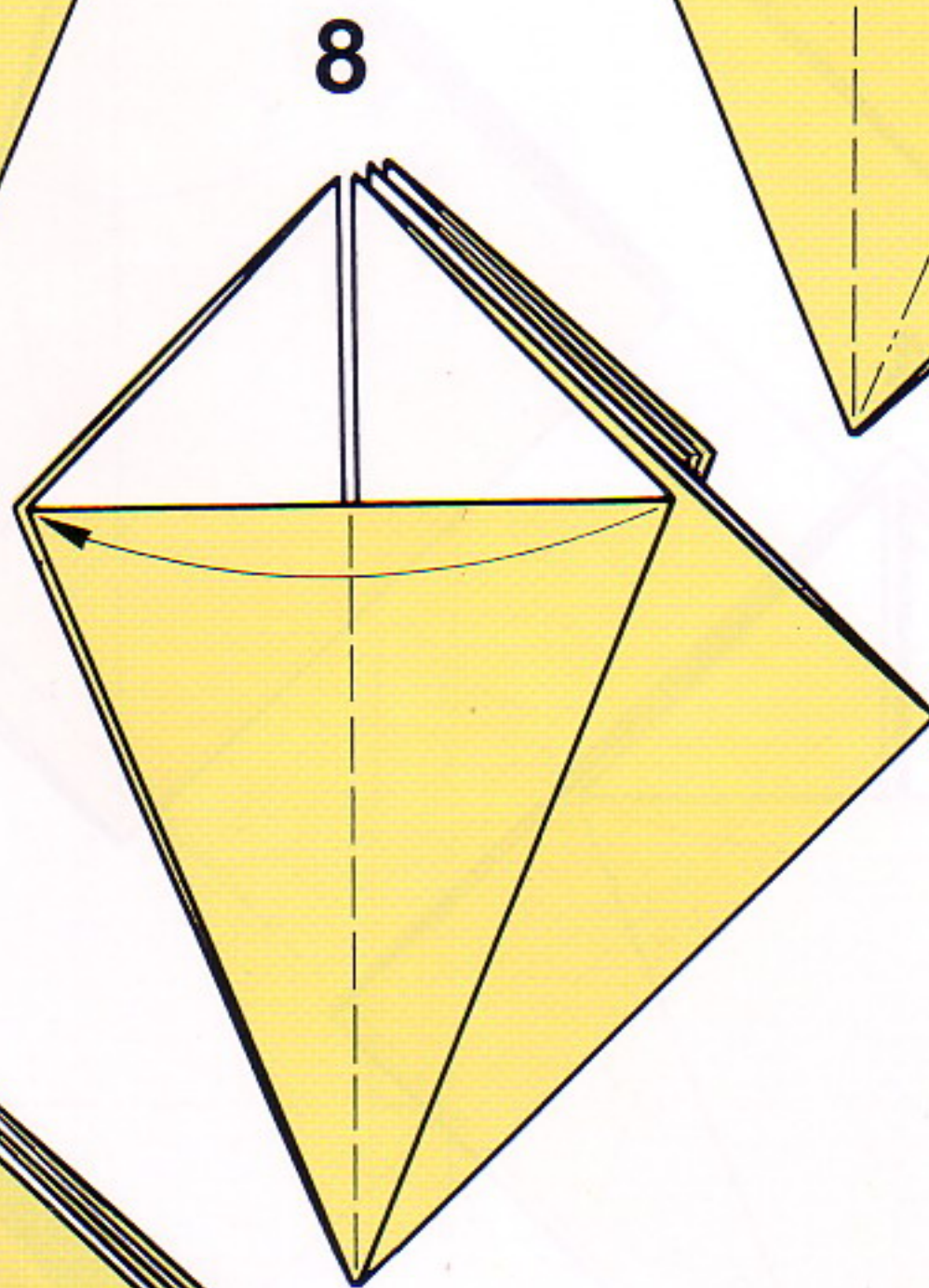
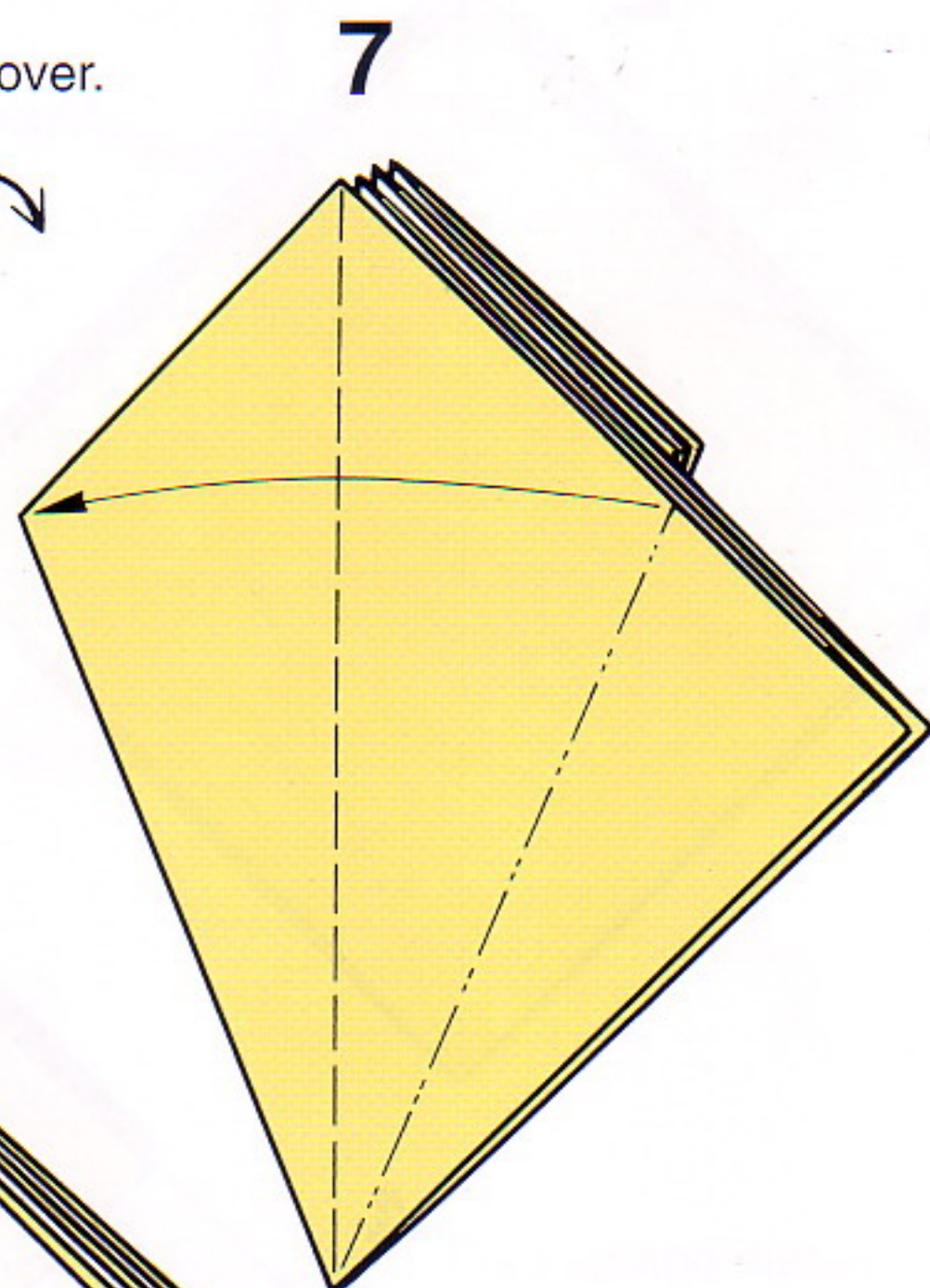


Repeat the same folds with all the other pleats.



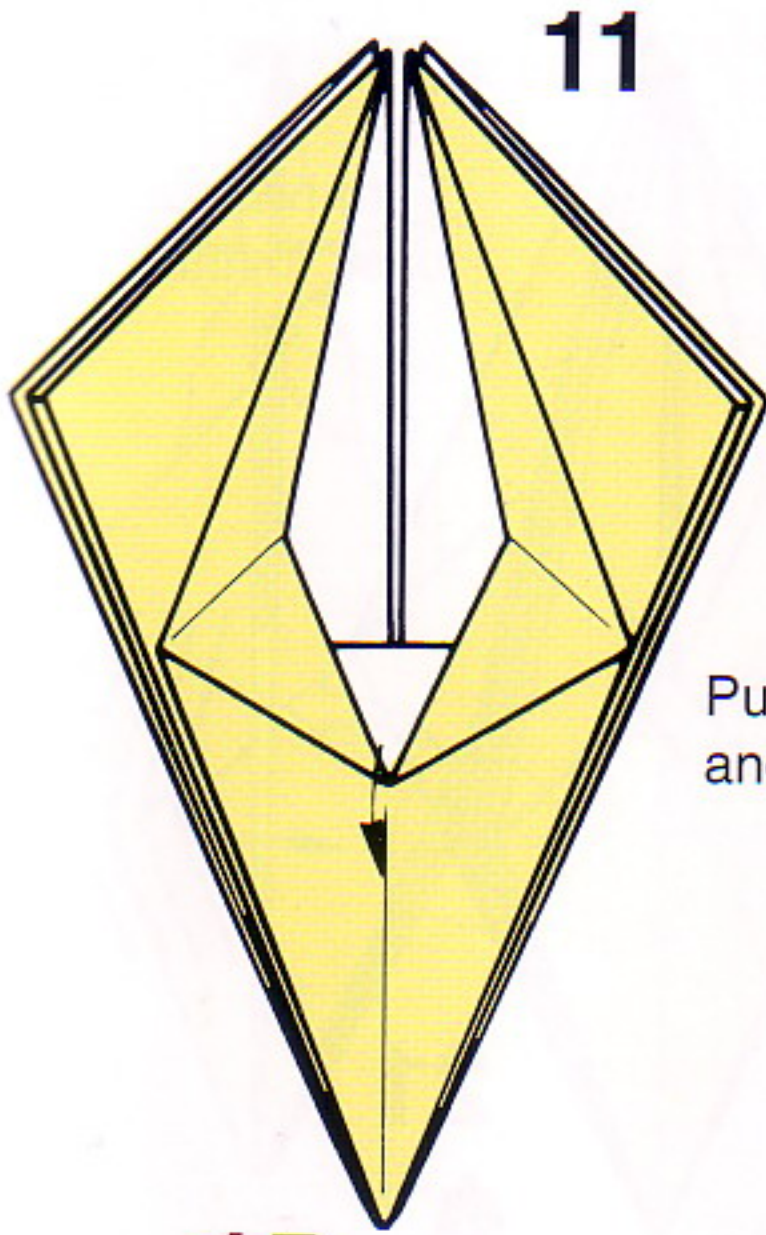


Turn over.



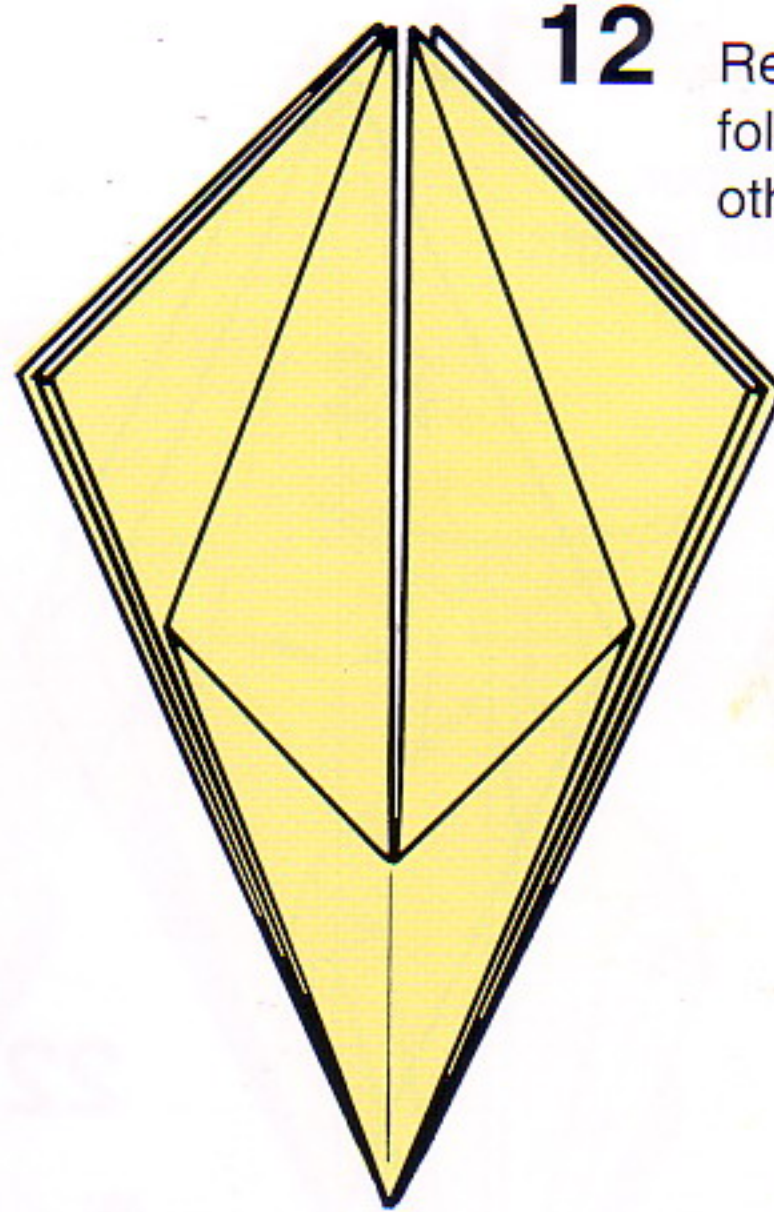
Make creases.





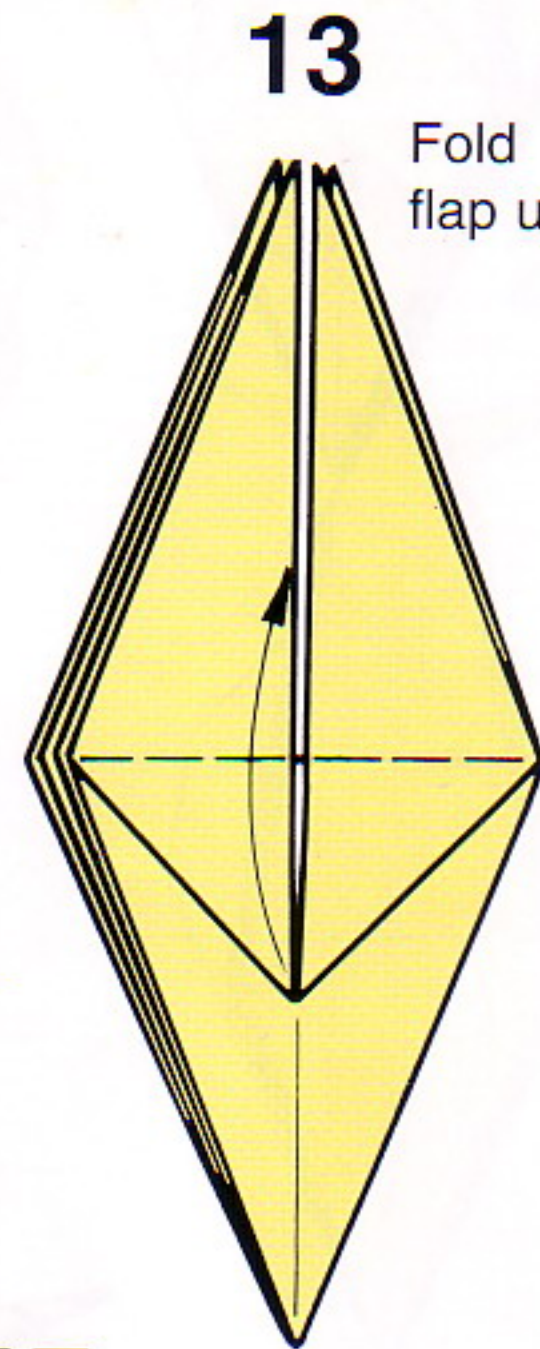
**11**

Pull down  
and flatten.



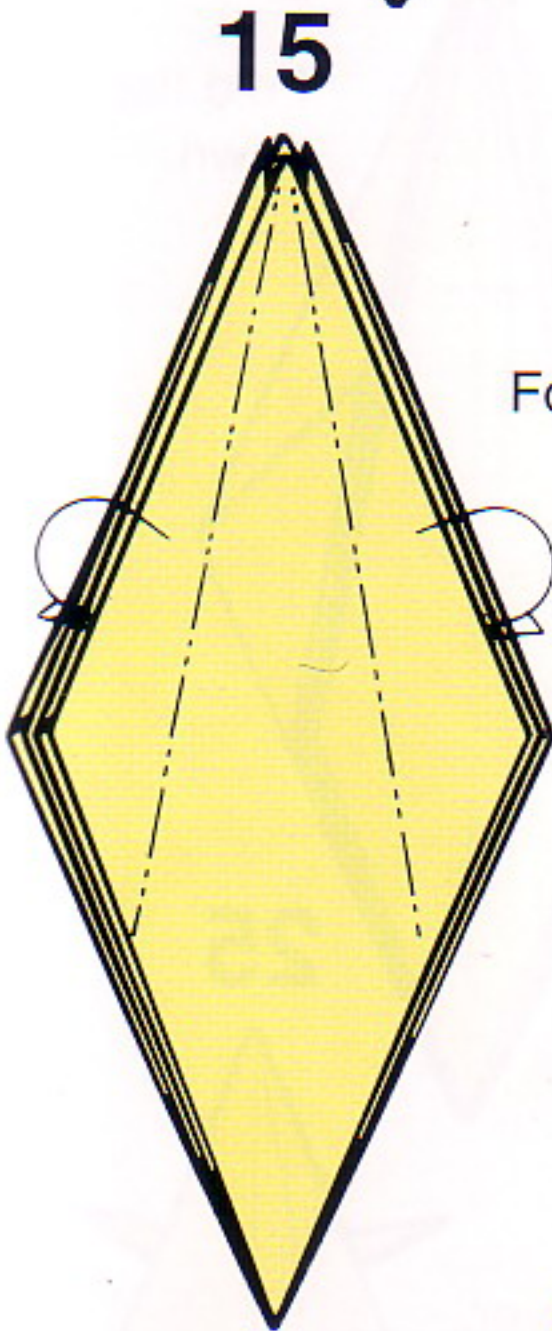
**12**

Repeat the same  
folds with all the  
other pleats.



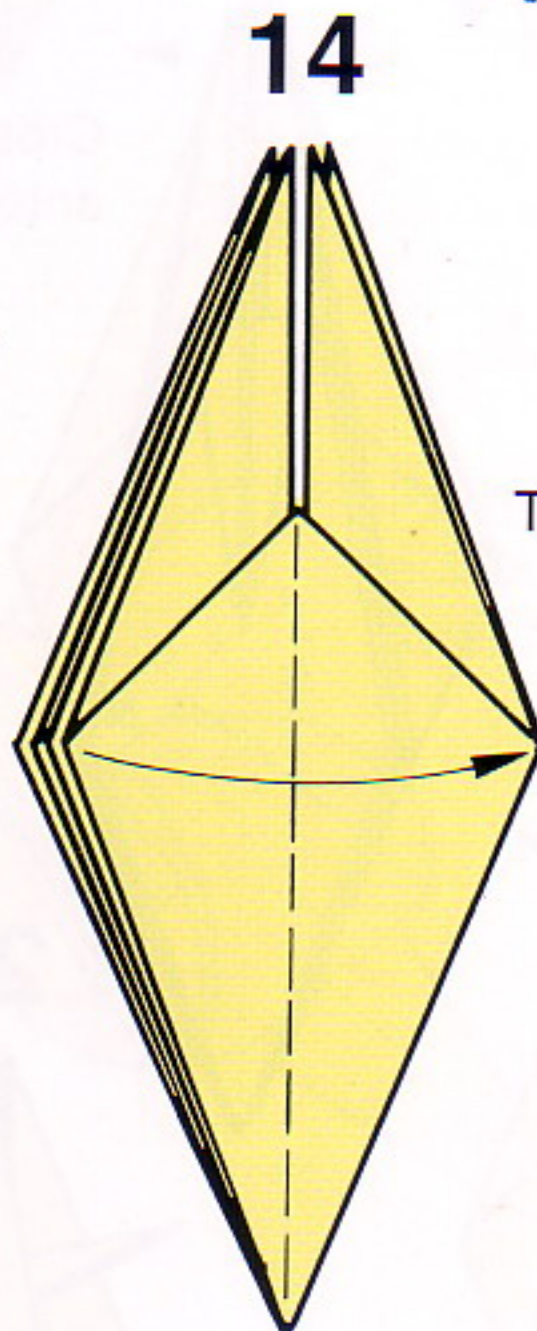
**13**

Fold  
flap up.



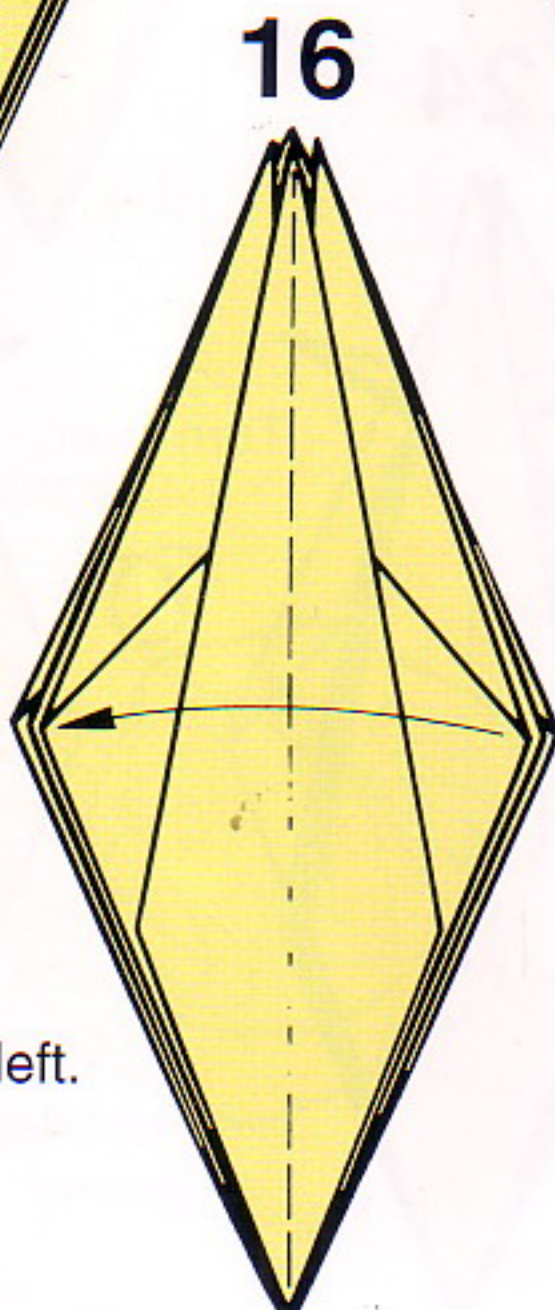
**15**

Fold back.



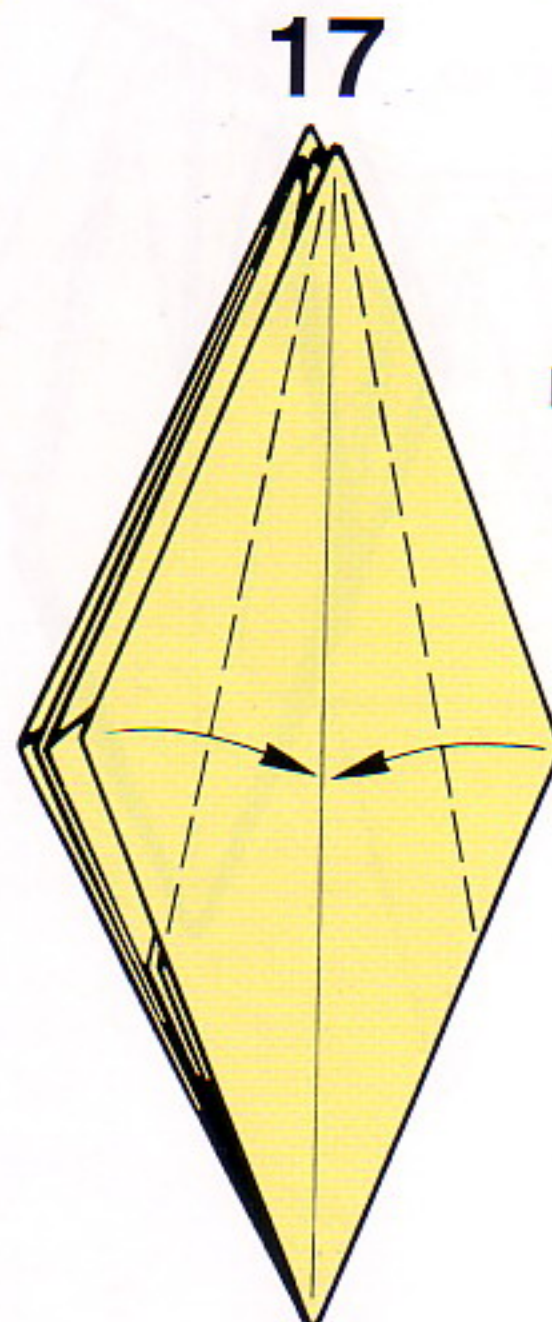
**14**

Turn to left.



**16**

Turn two  
pleats to left.

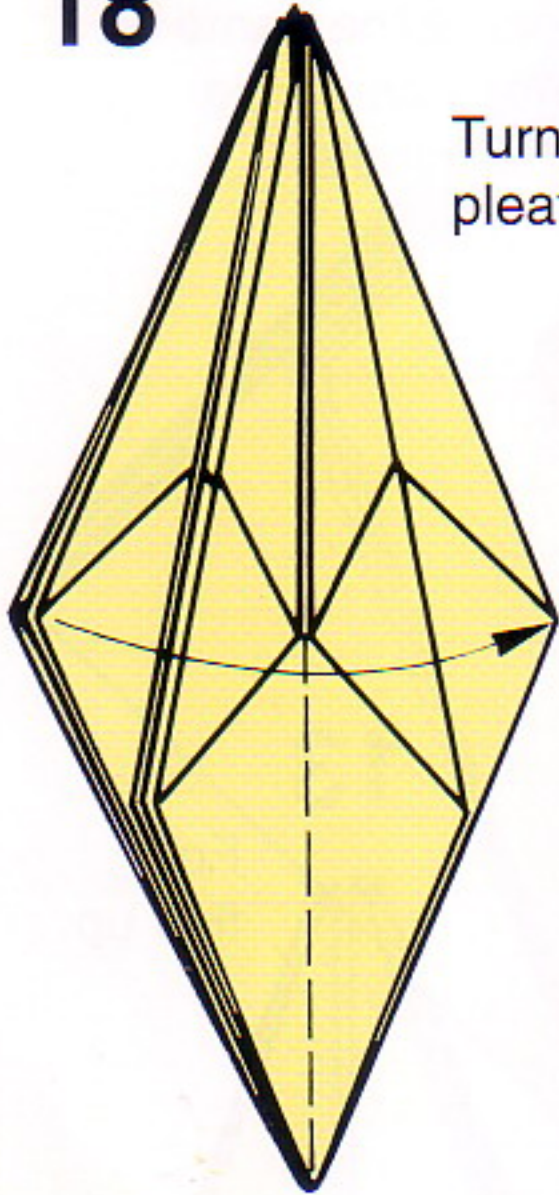


**17**

Fold in.

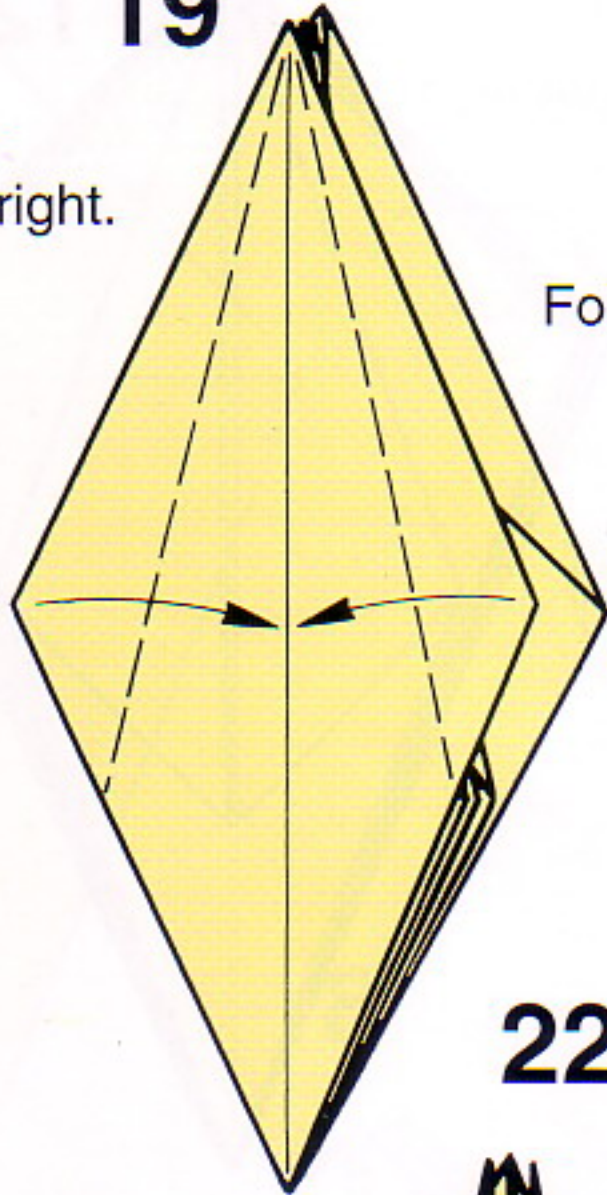


18



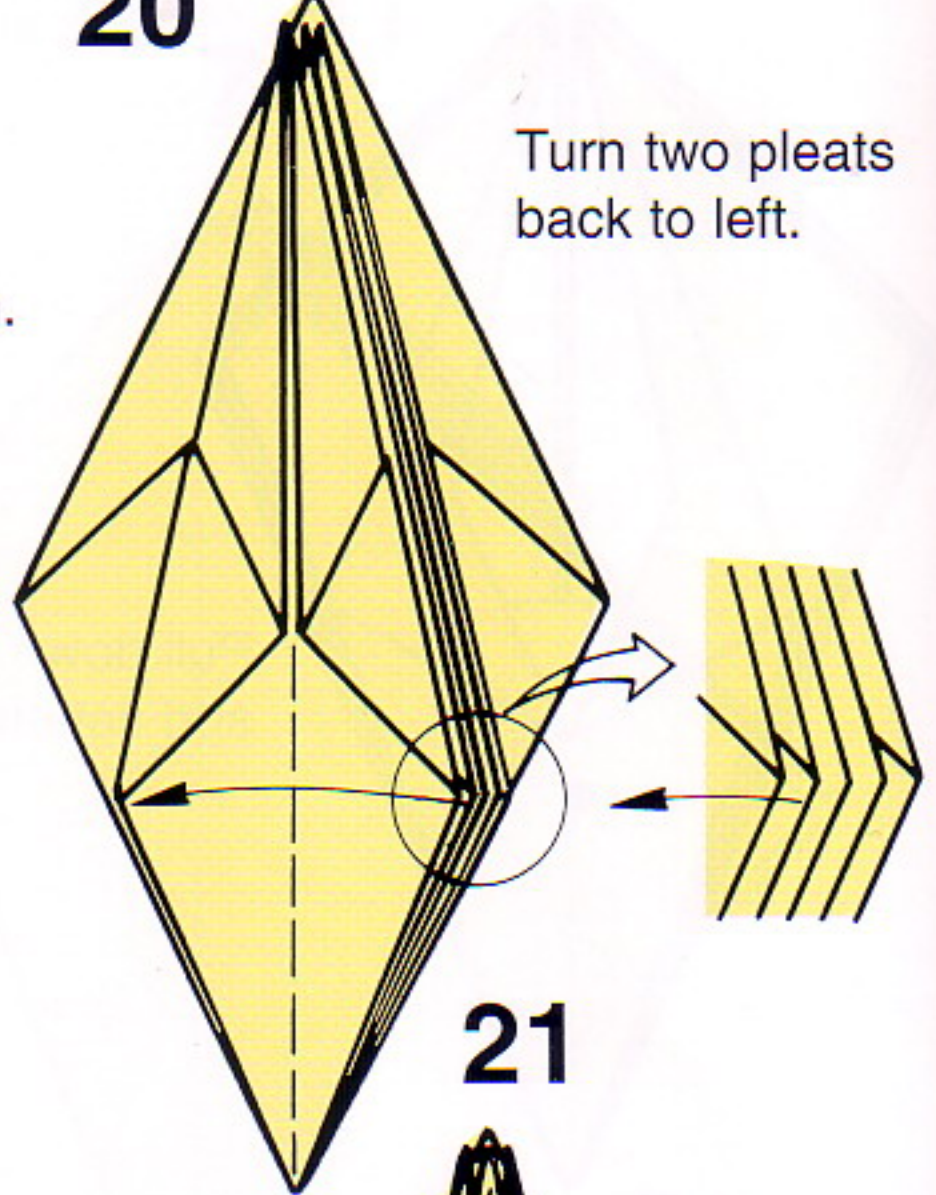
Turn four pleats to right.

19



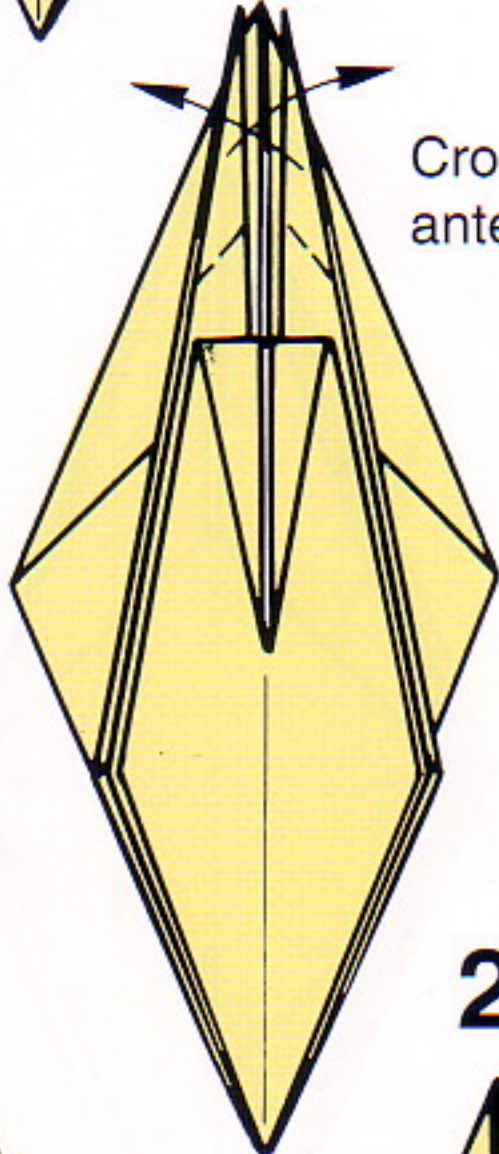
Fold in.

20



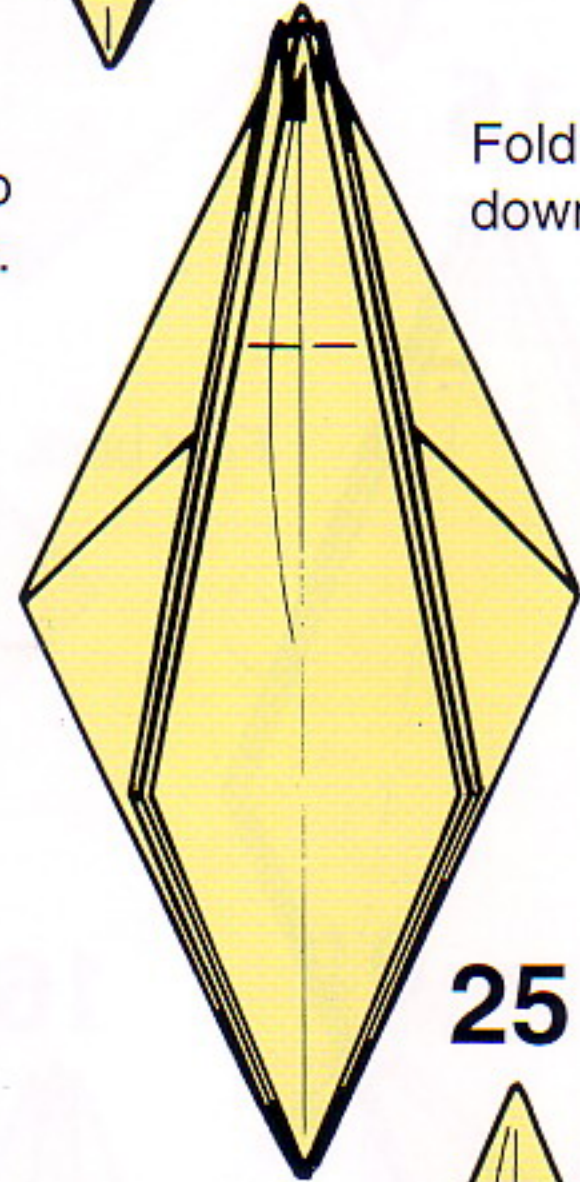
Turn two pleats back to left.

22



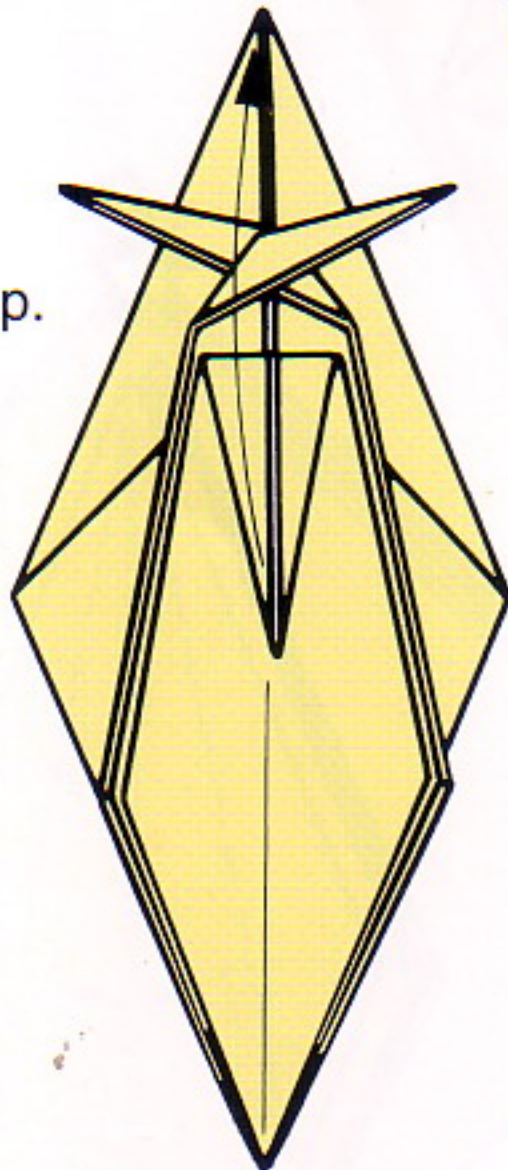
Cross two antennae.

21



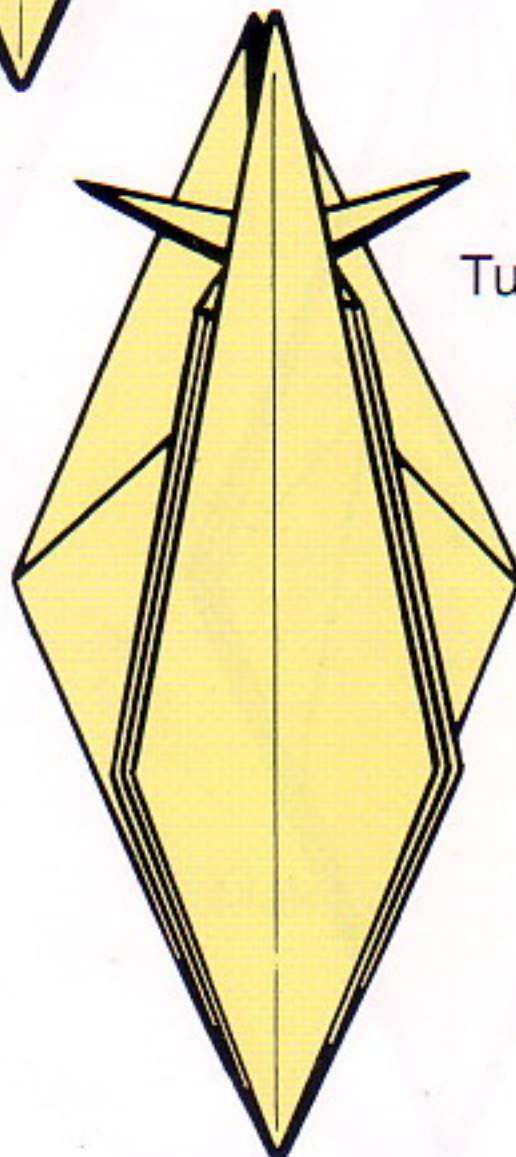
Fold flap down.

23



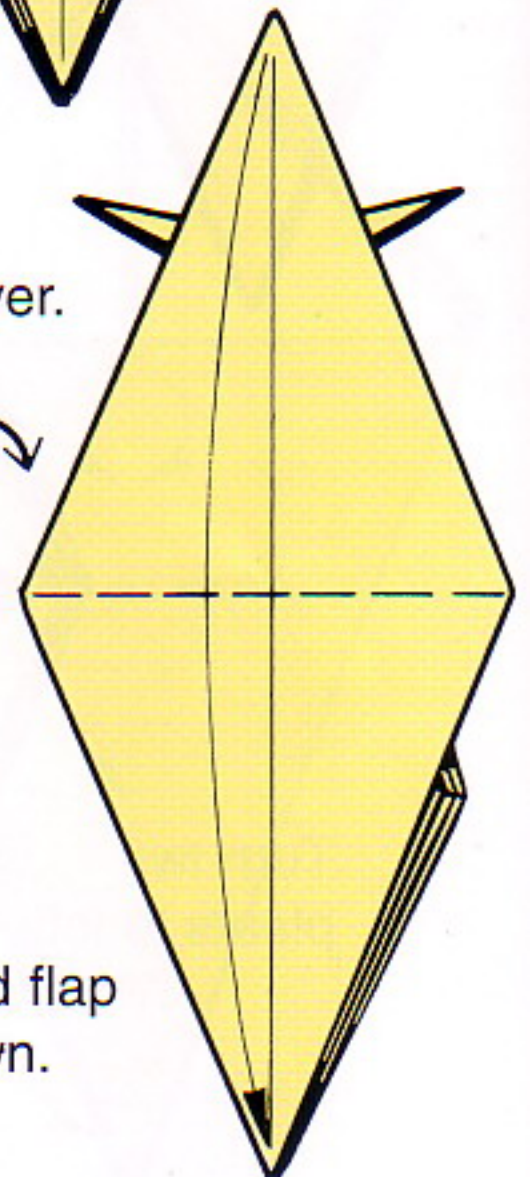
Fold flap up.

24



Turn over.

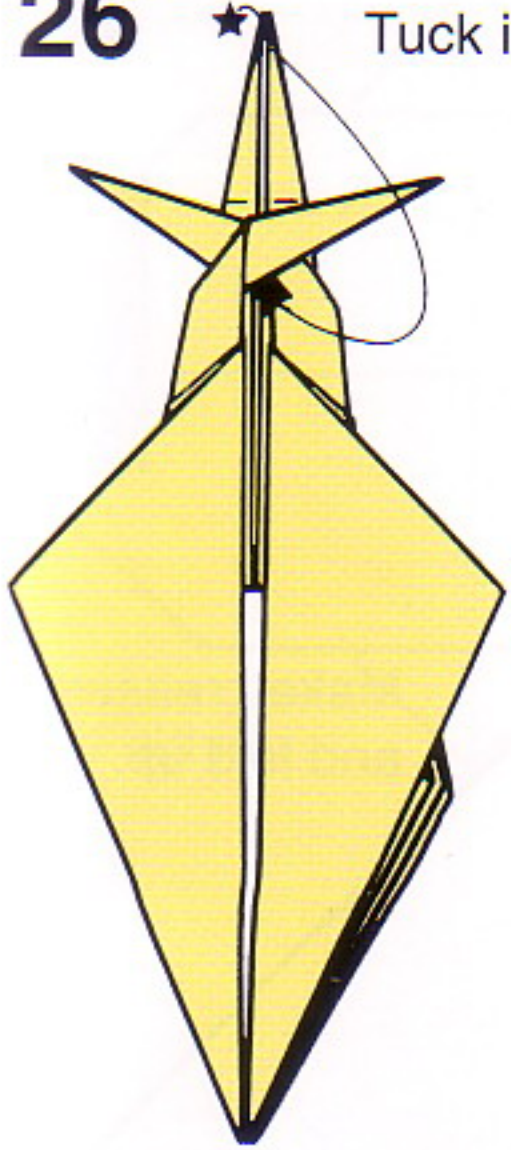
25



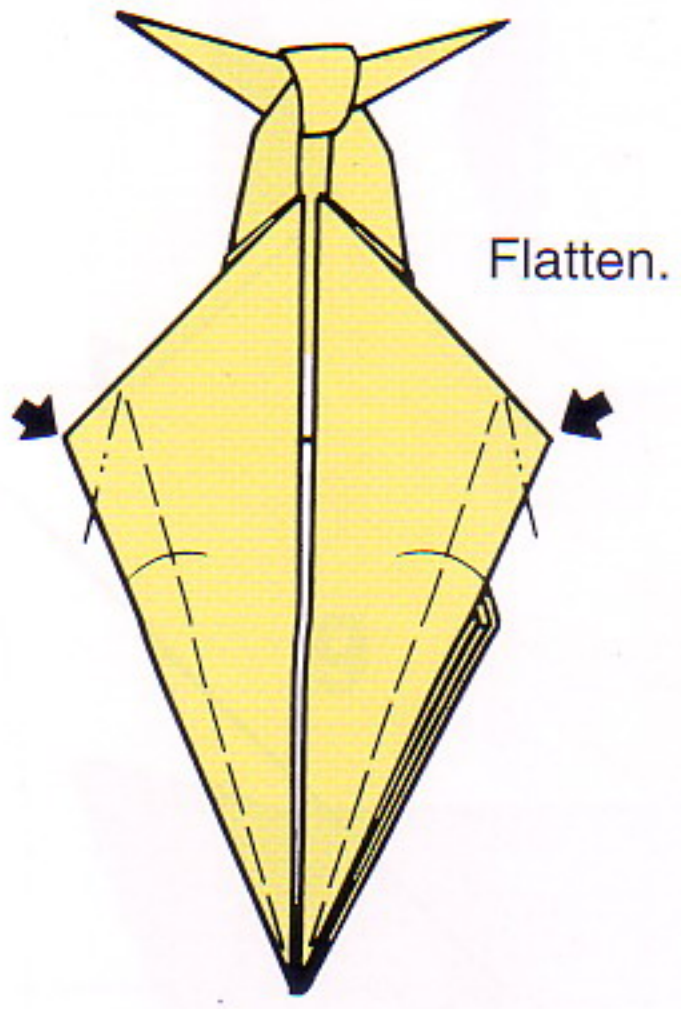
Fold flap down.



26 ★ Tuck in.

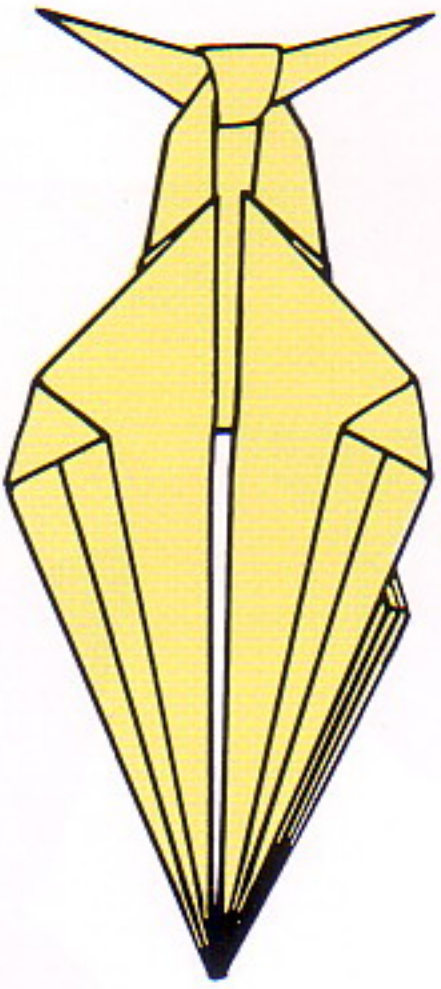


27



Flatten.

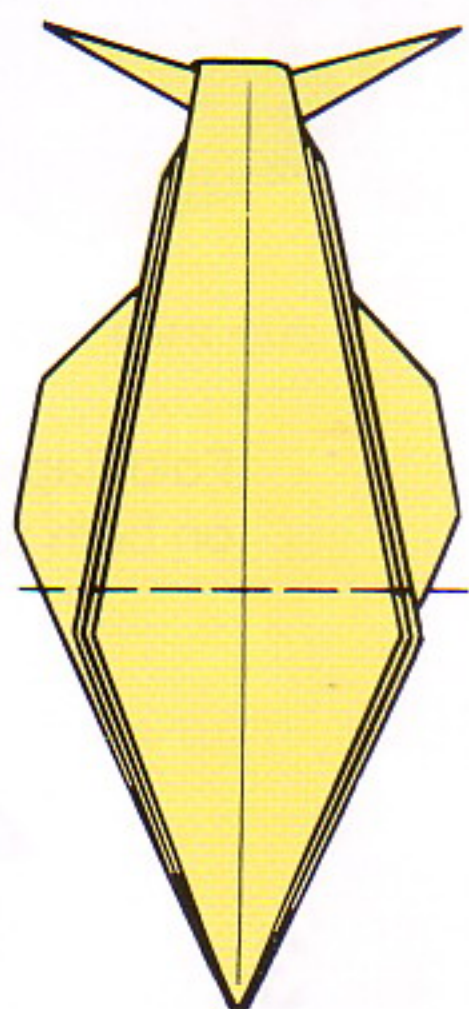
28



Turn over.

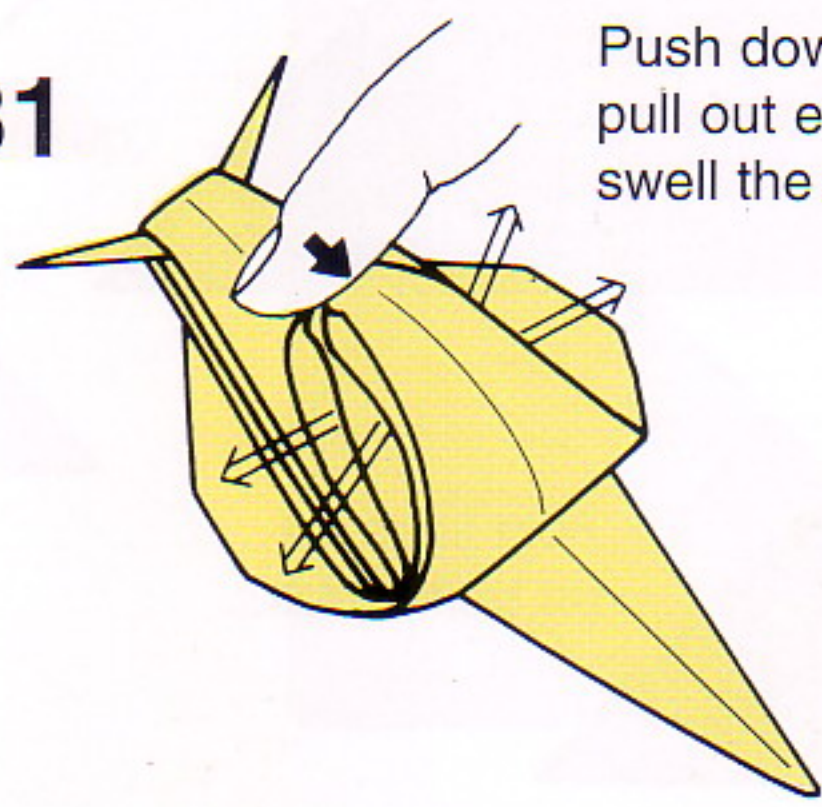


29



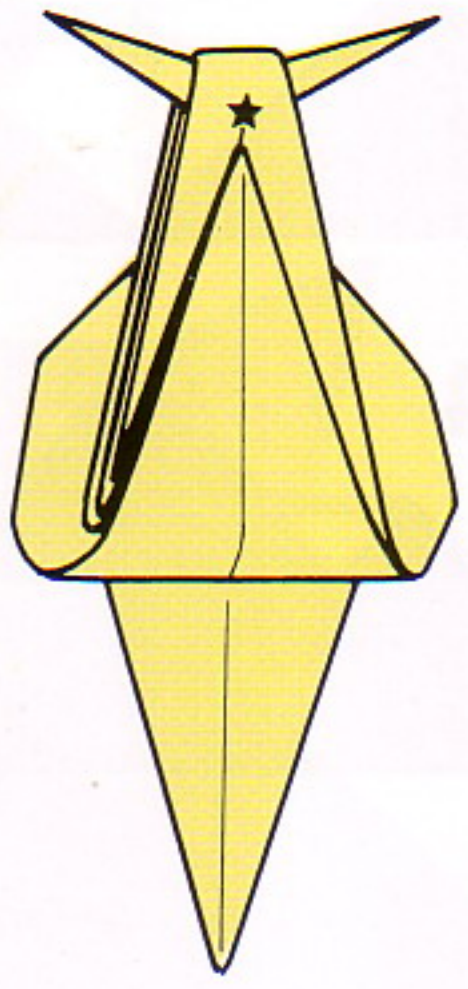
Fold flap up.

31

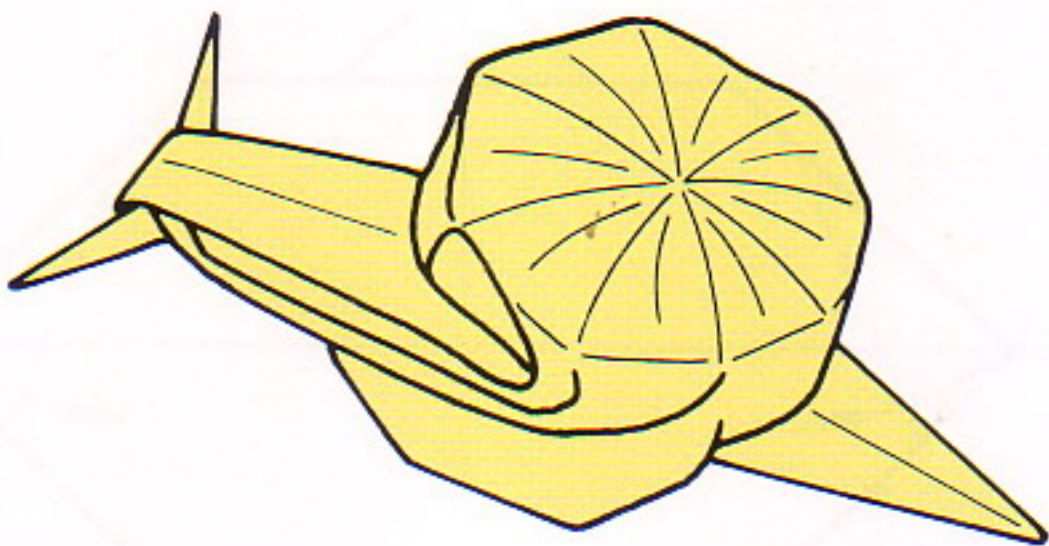


Push down and pull out edges to swell the shell.

30

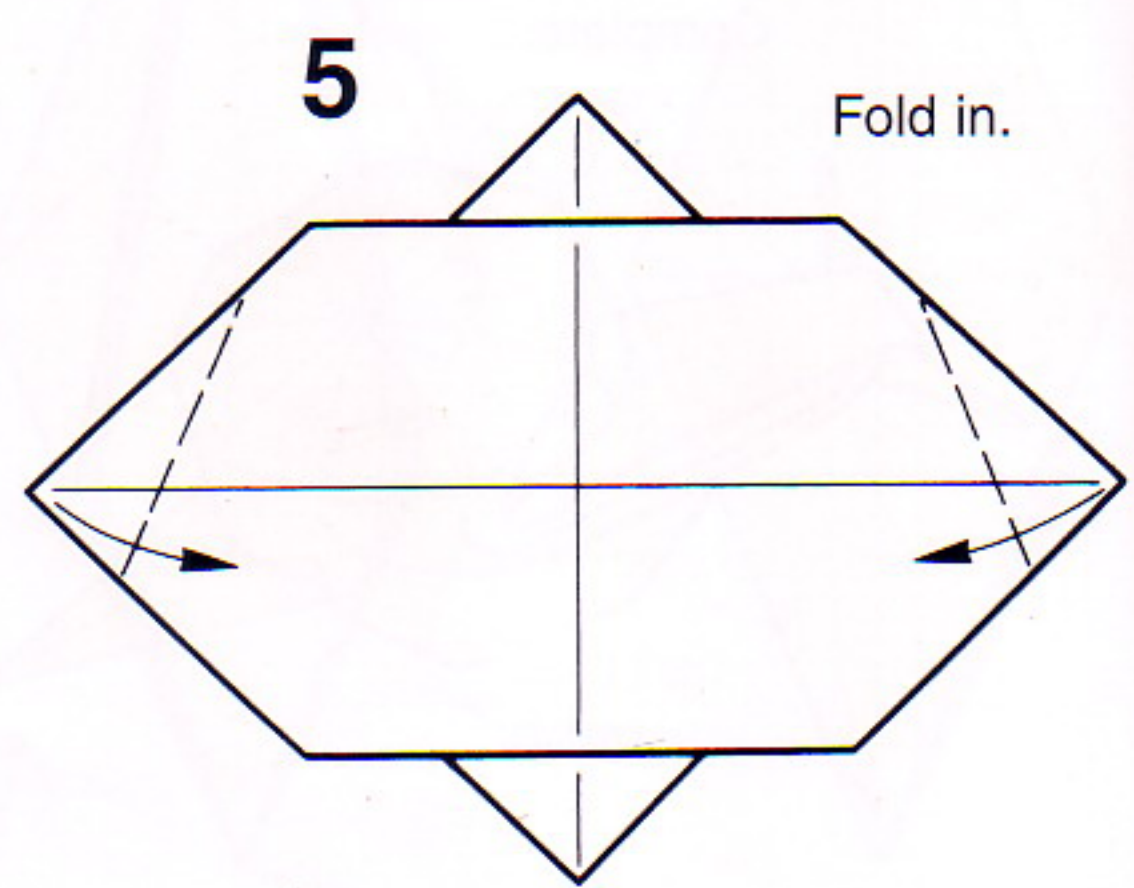
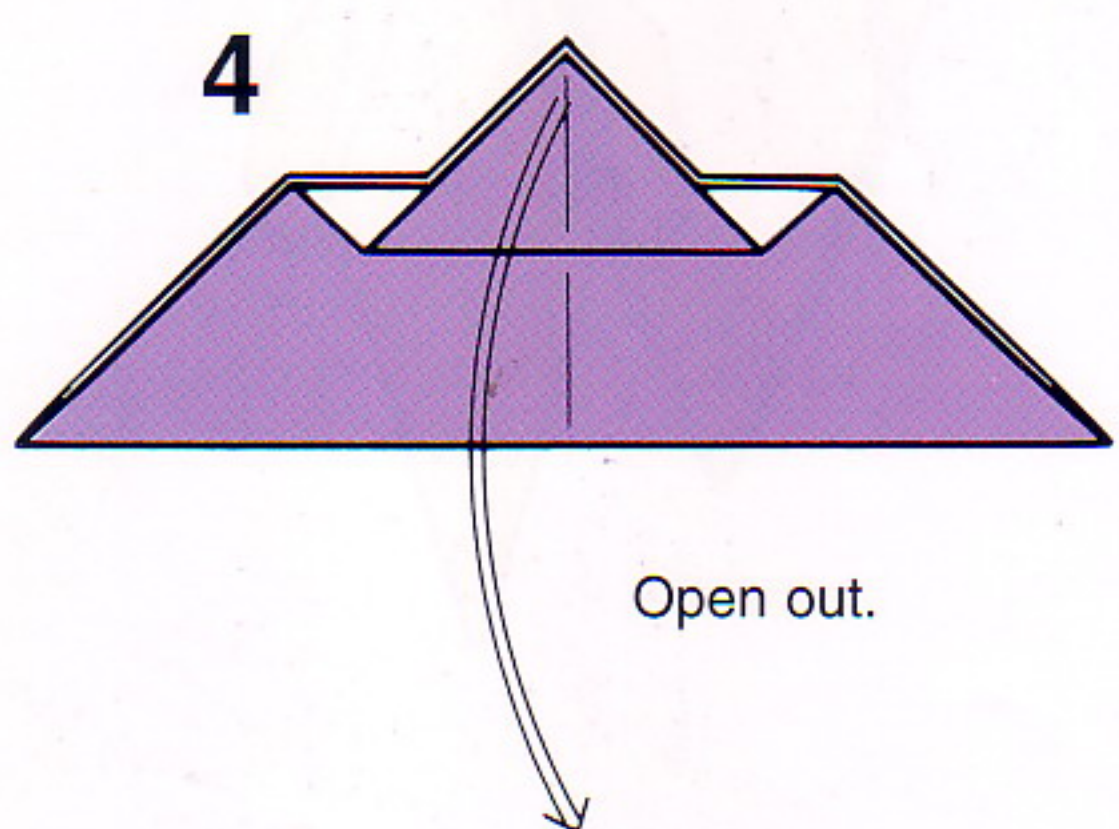
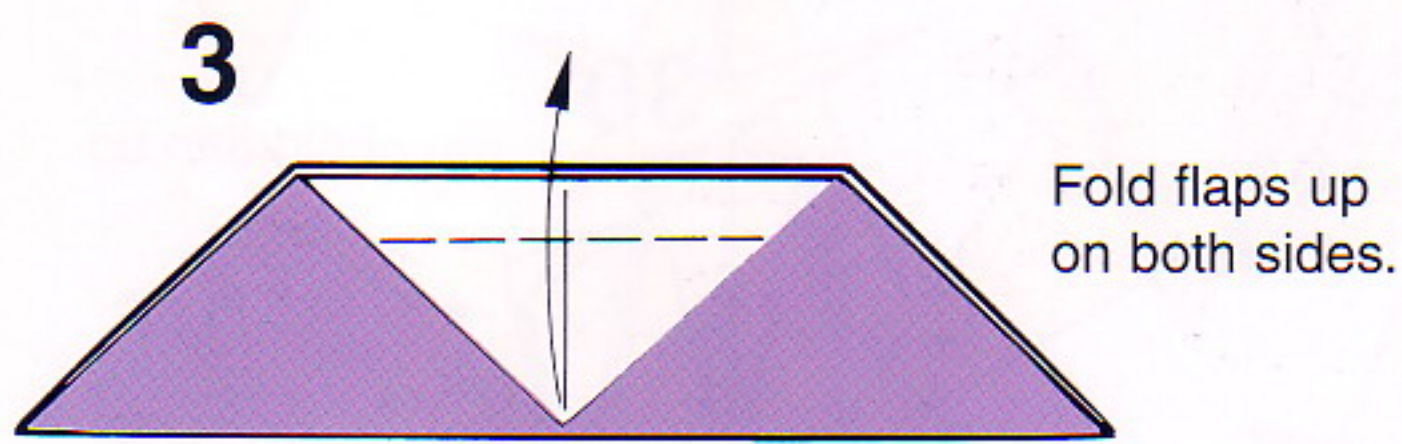
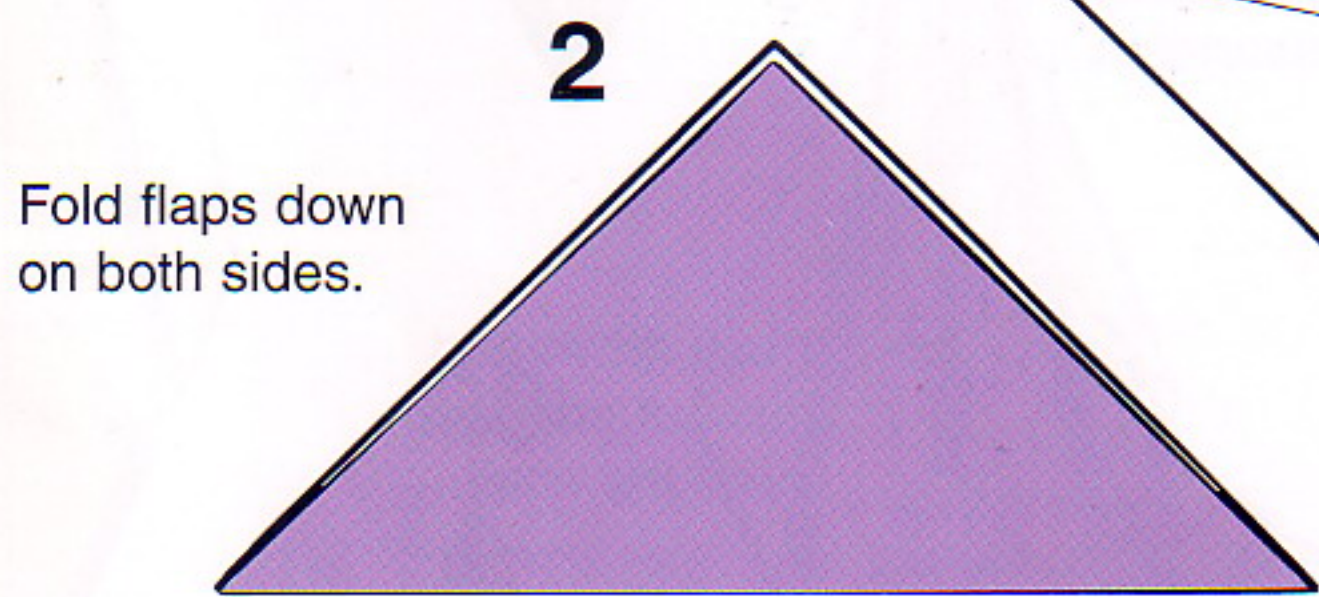
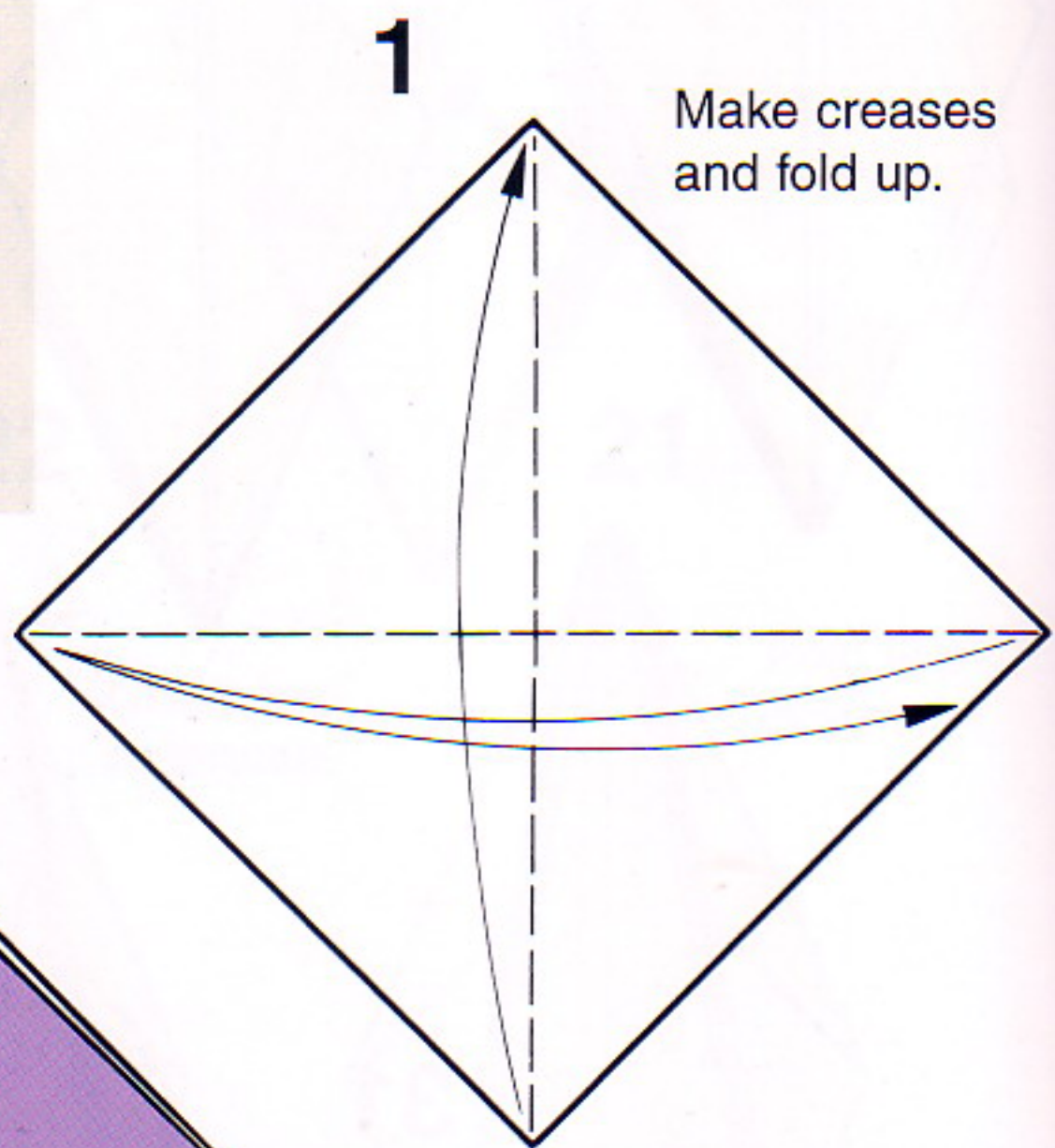
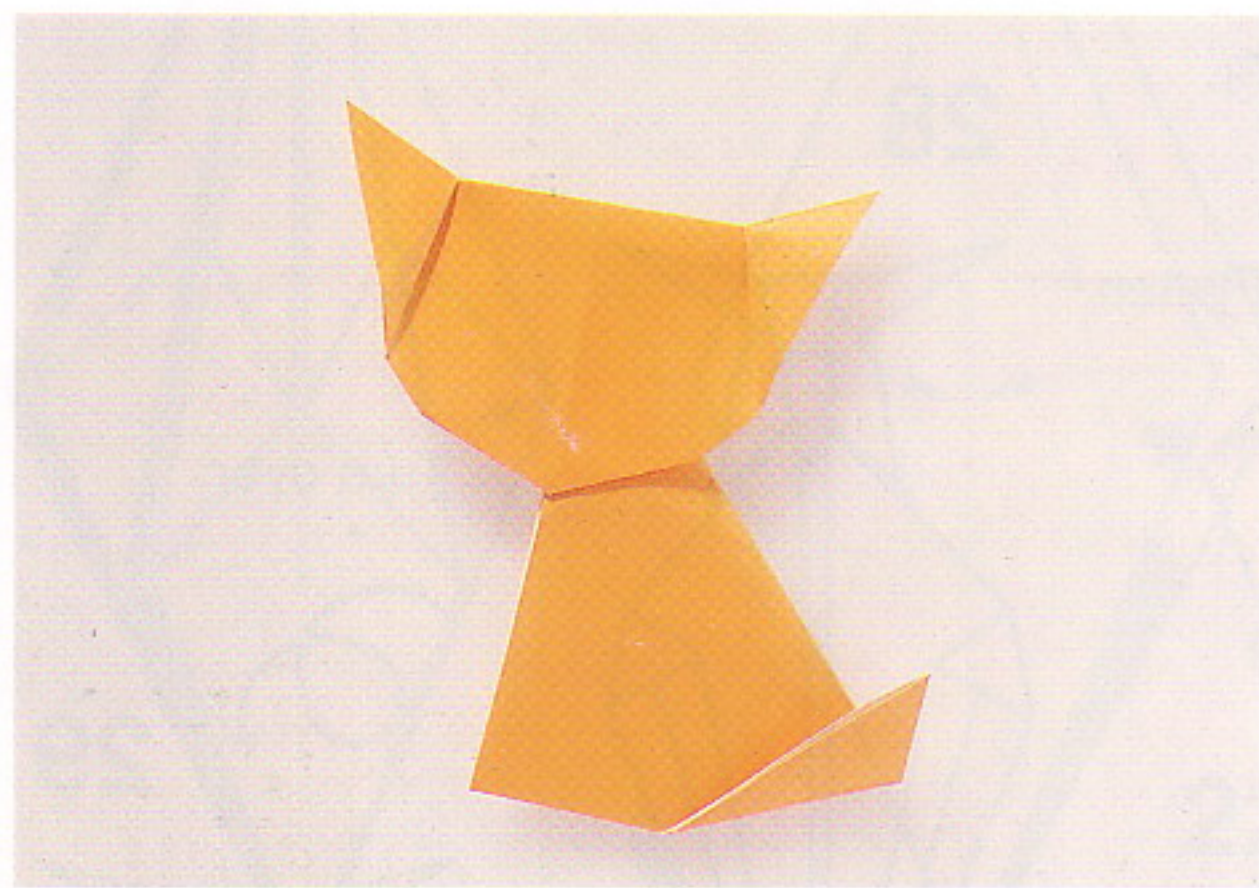


Completed.



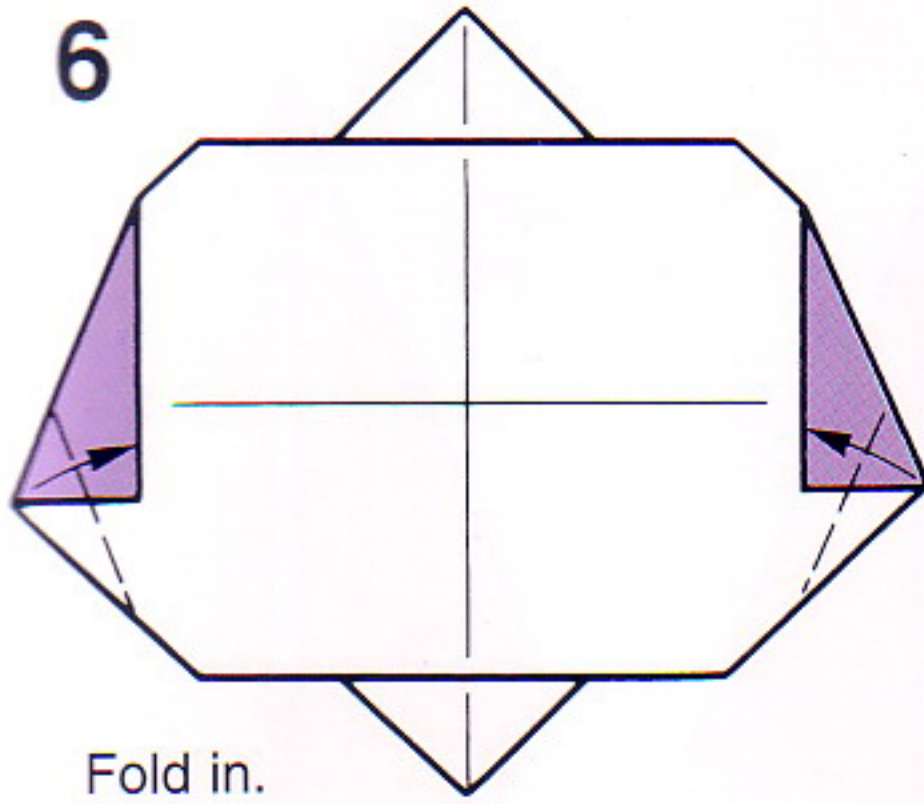


# KITTY CAT



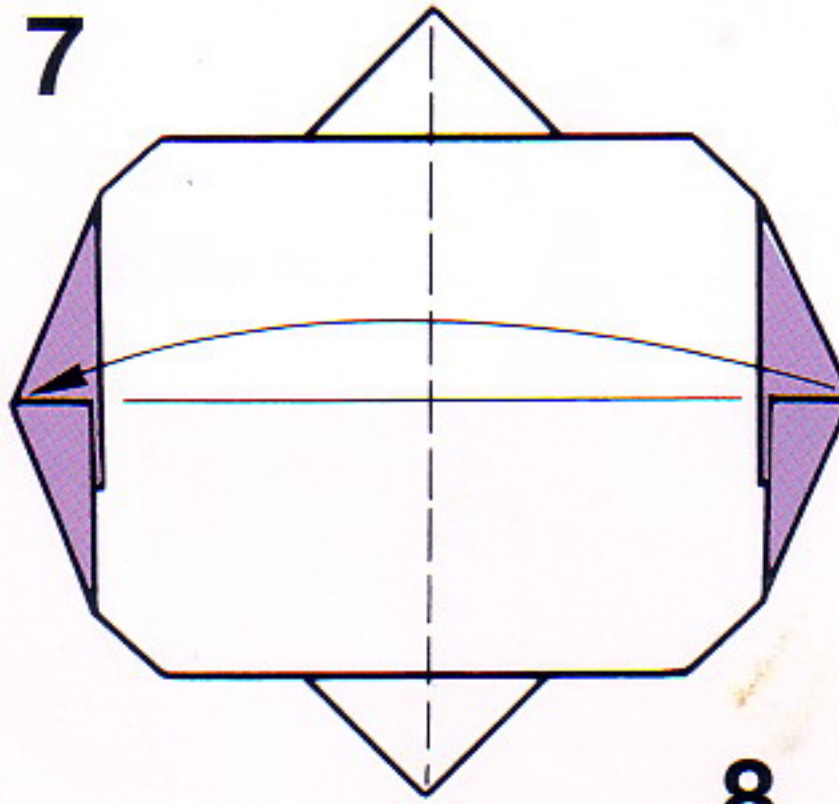


6



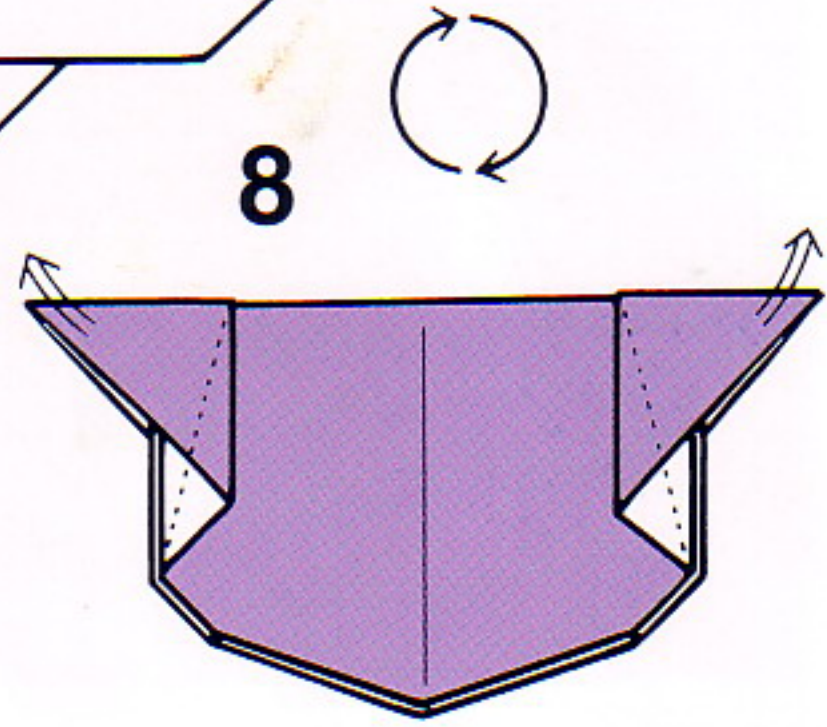
Fold in.

7



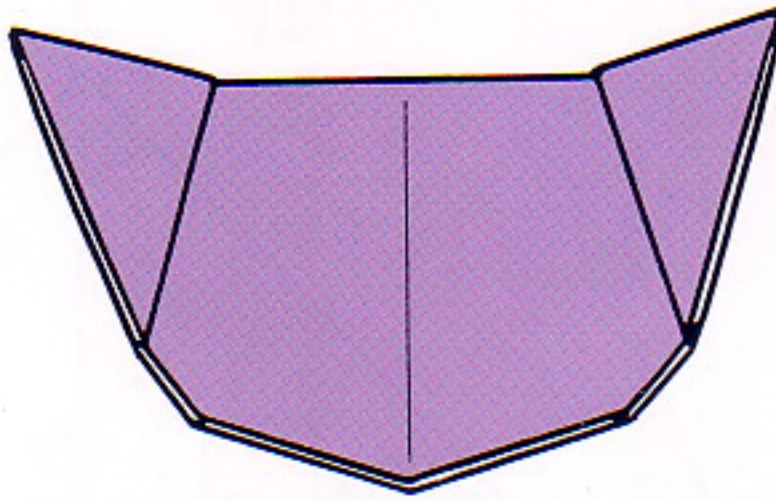
Fold in half.

8

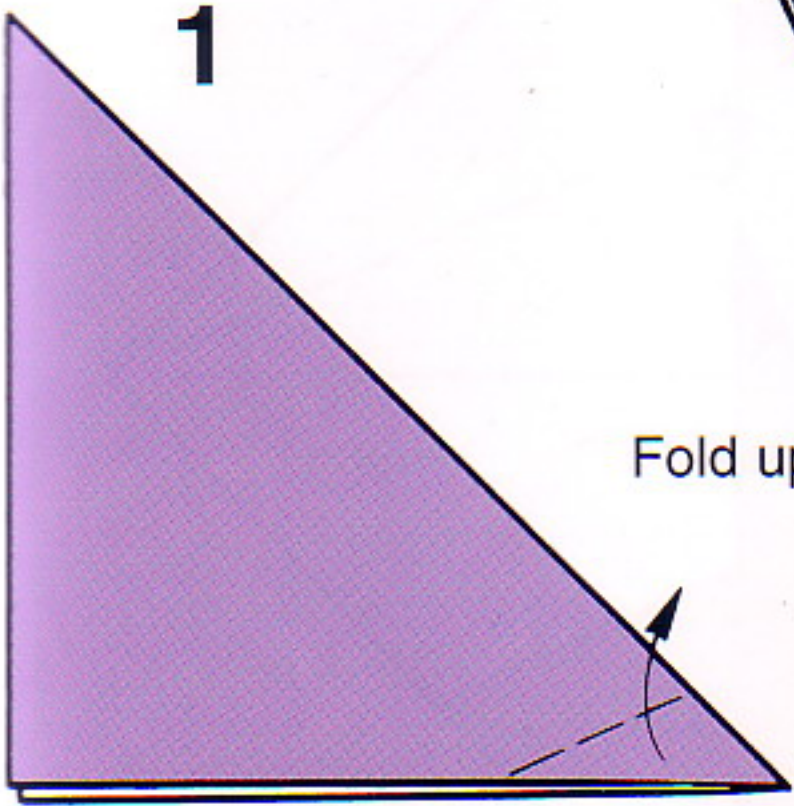


Pull the ears out.

9

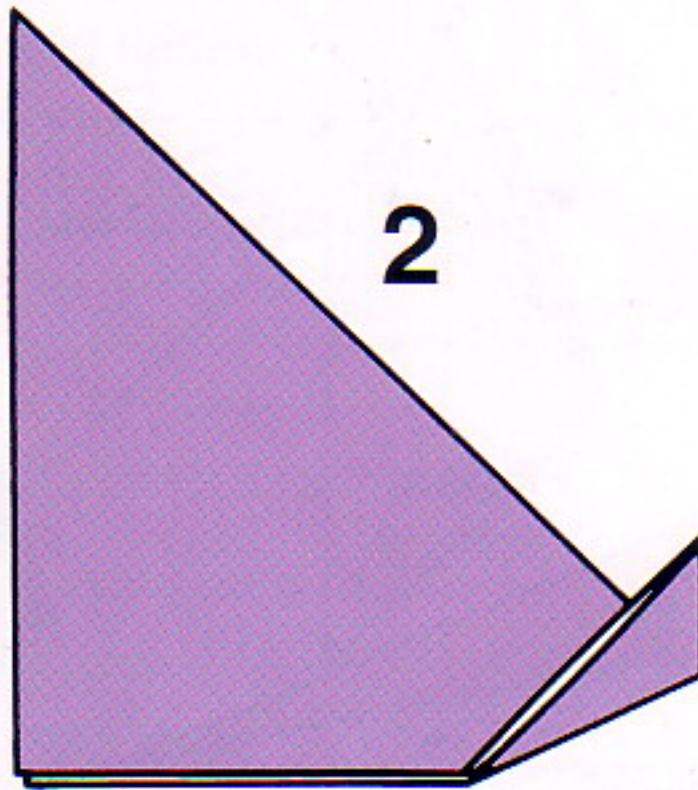


1

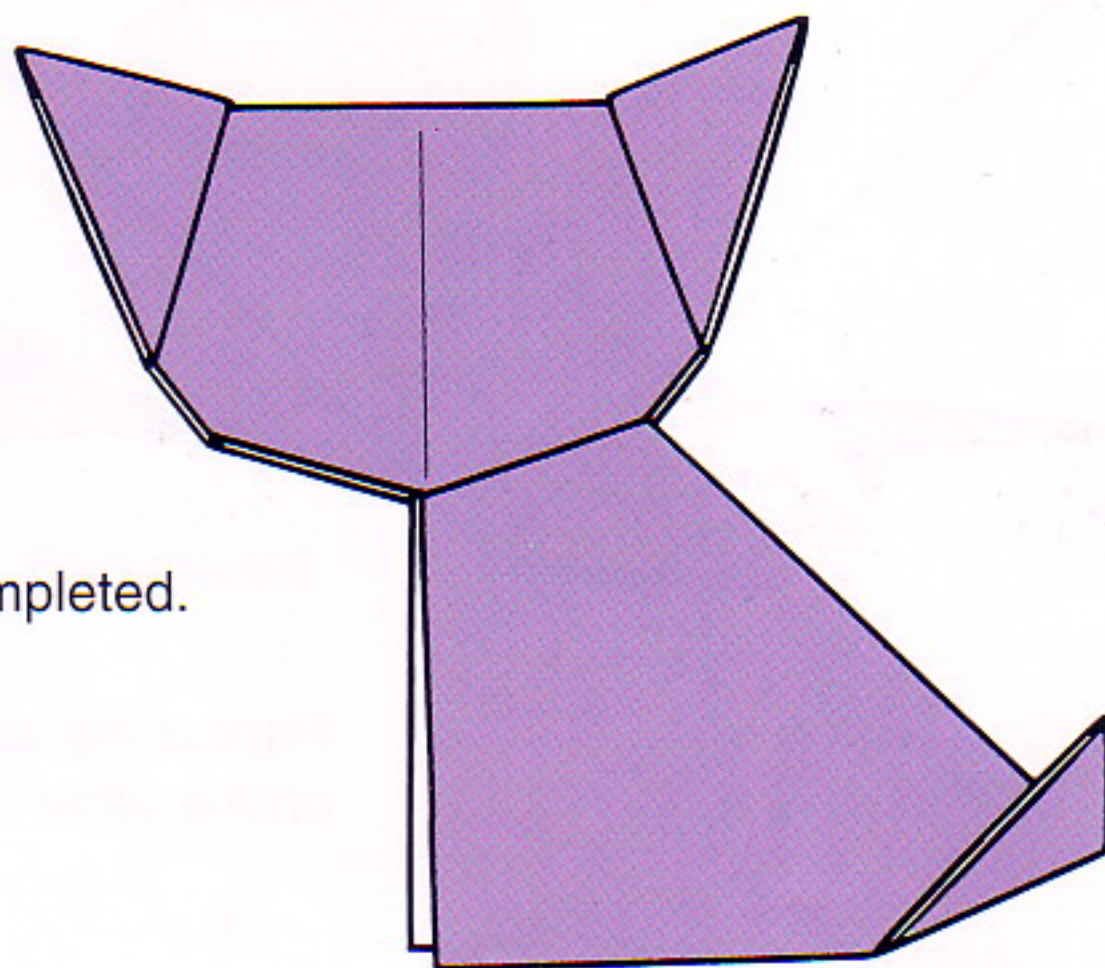


Fold up.

2

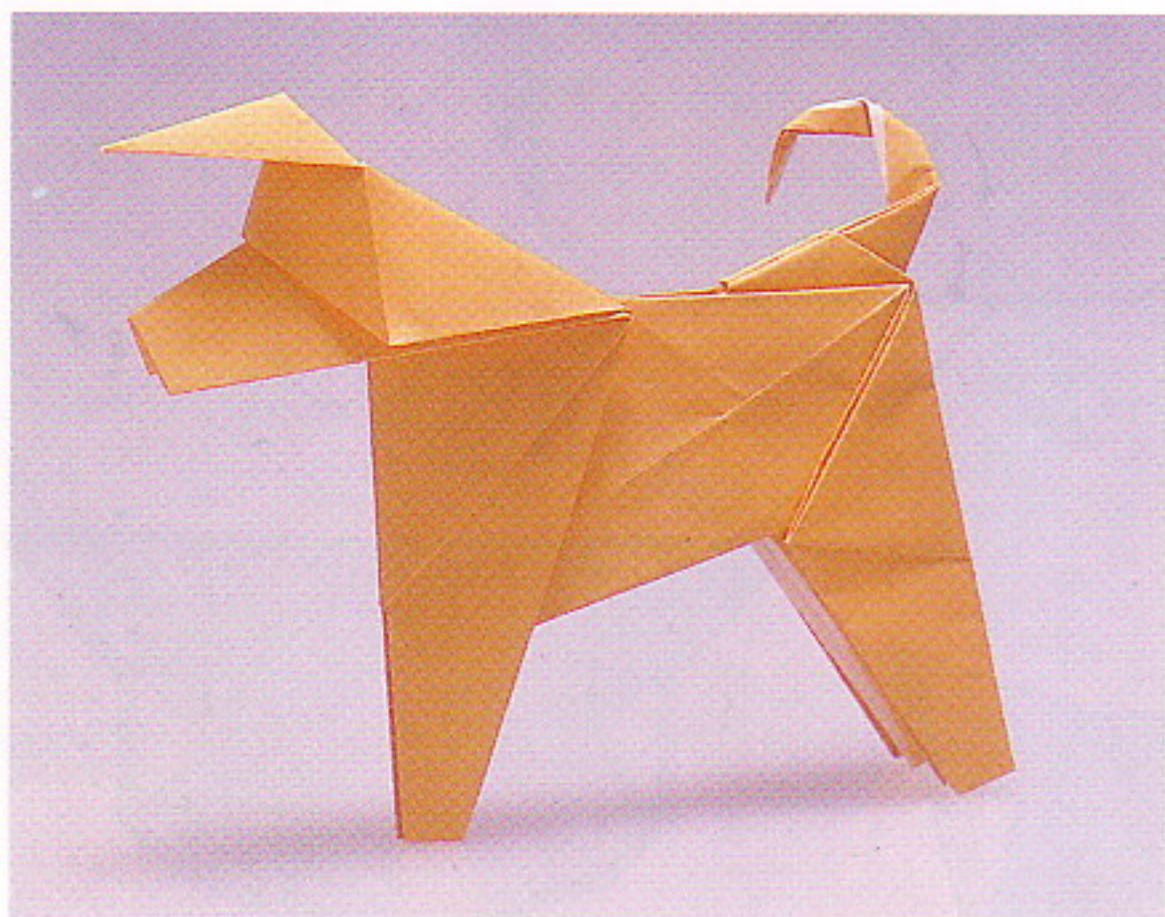


Completed.



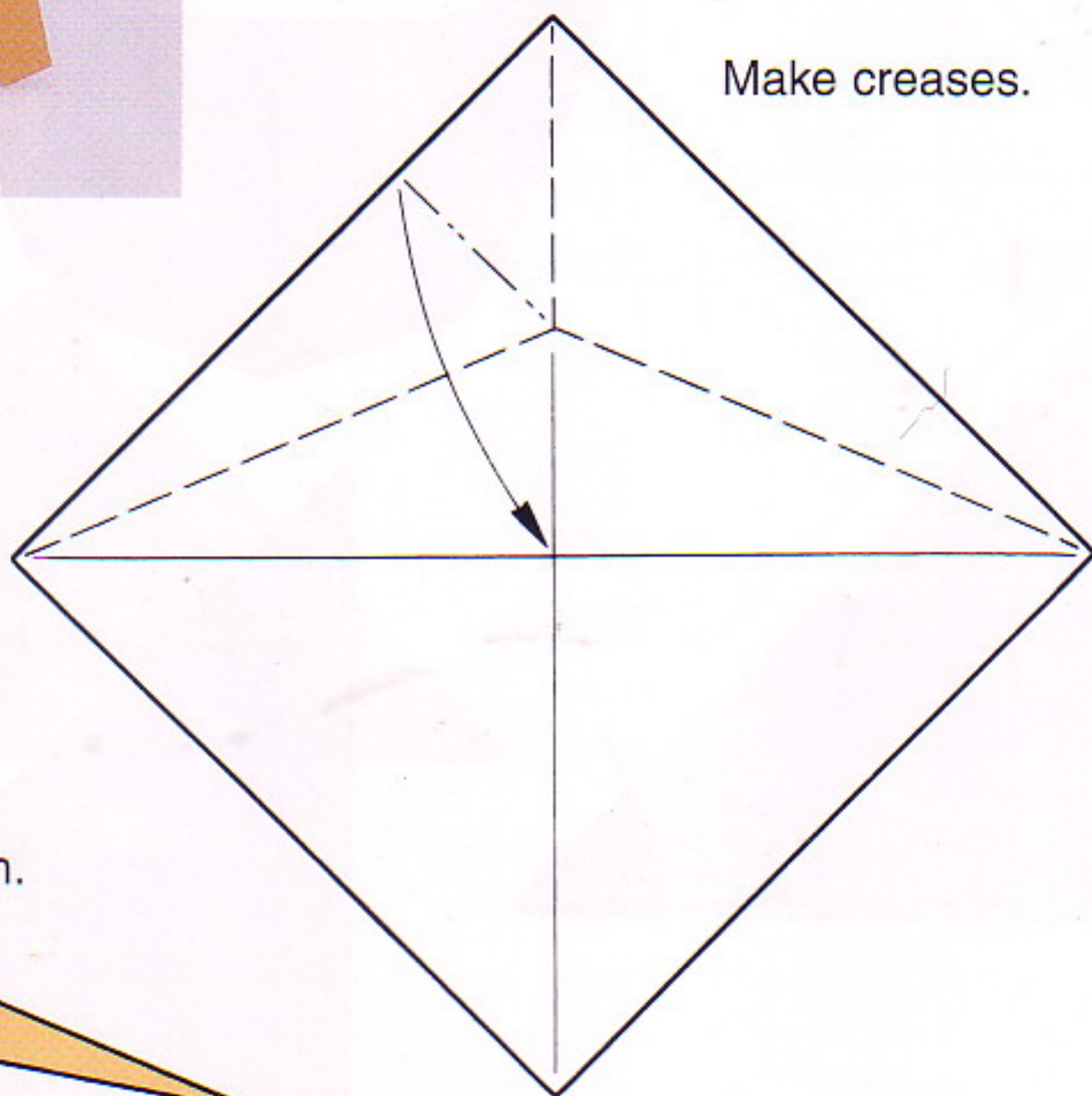


# DOG



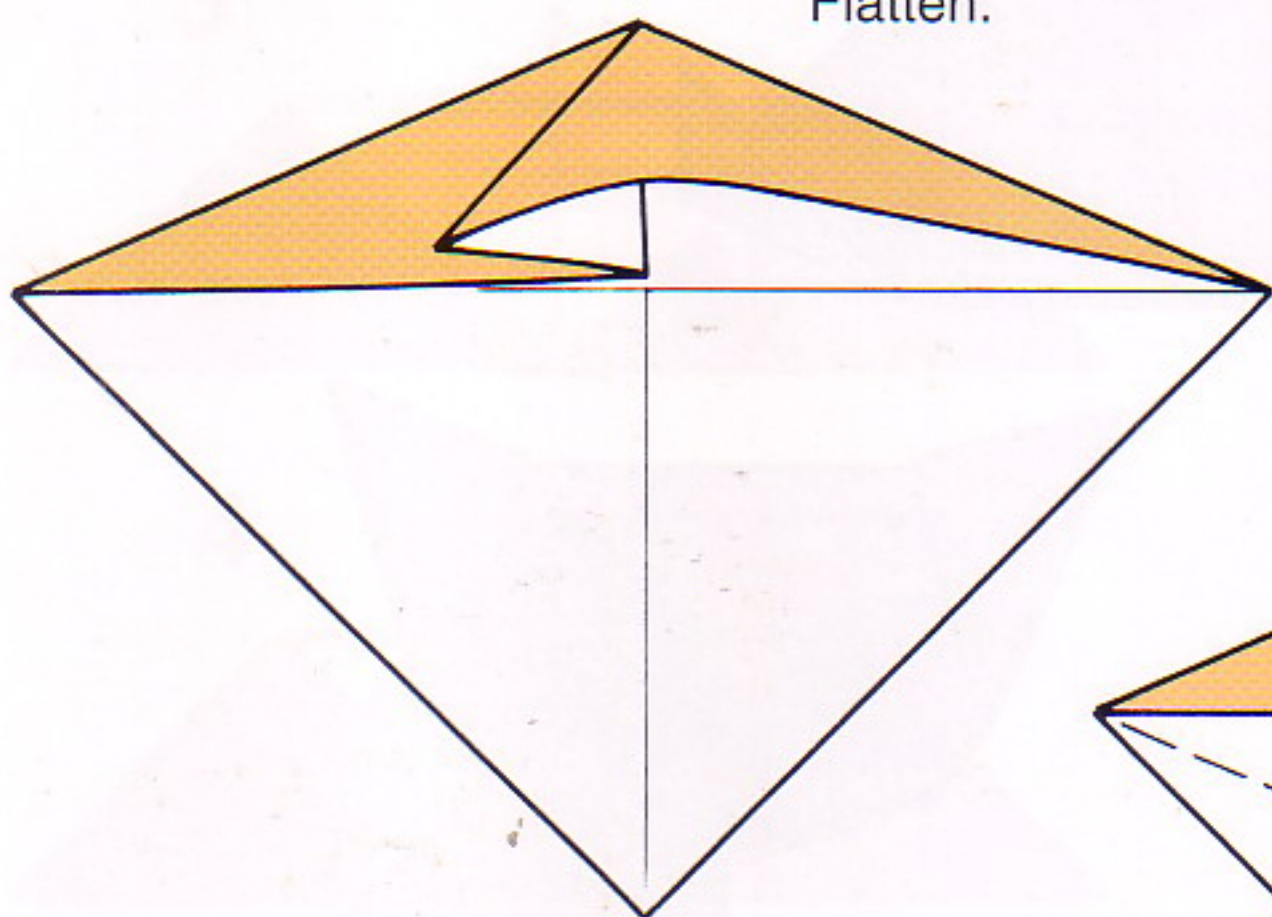
**1**

Make creases.

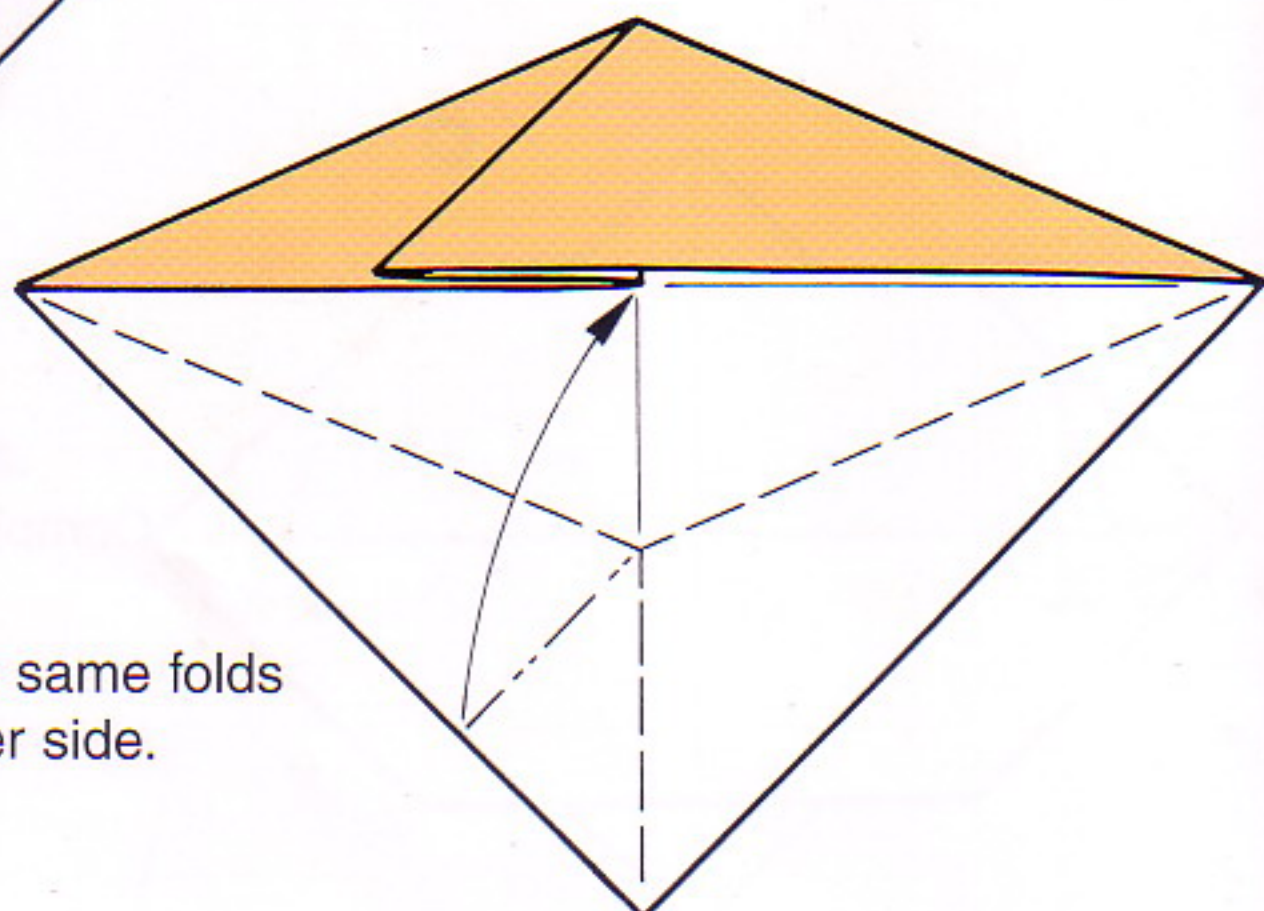


**2**

Flatten.



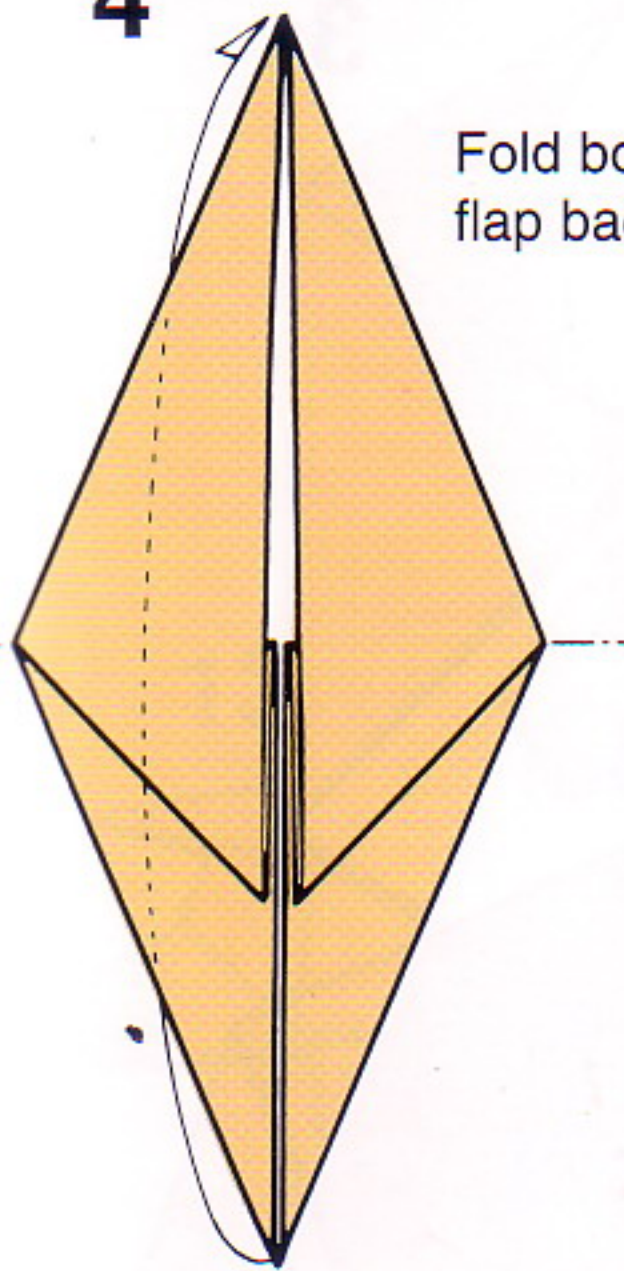
**3**



Repeat the same folds on the other side.

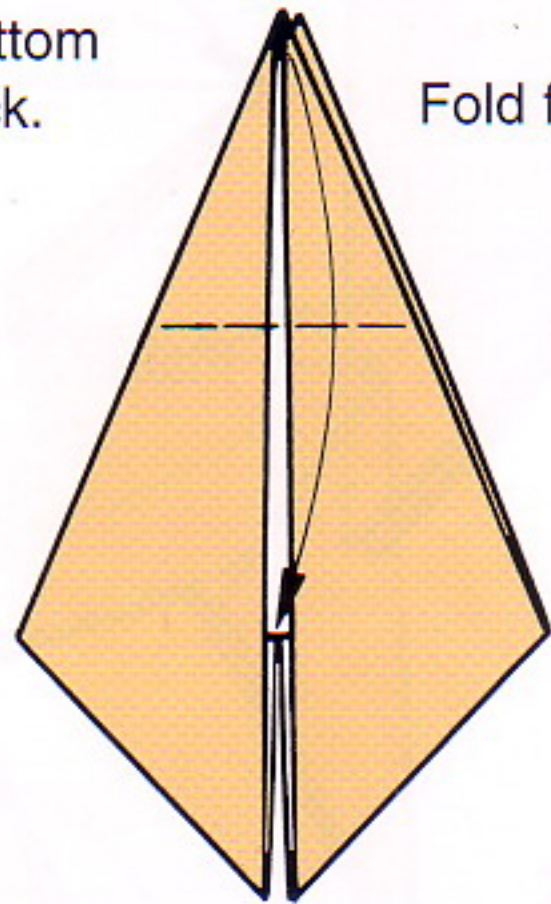


4



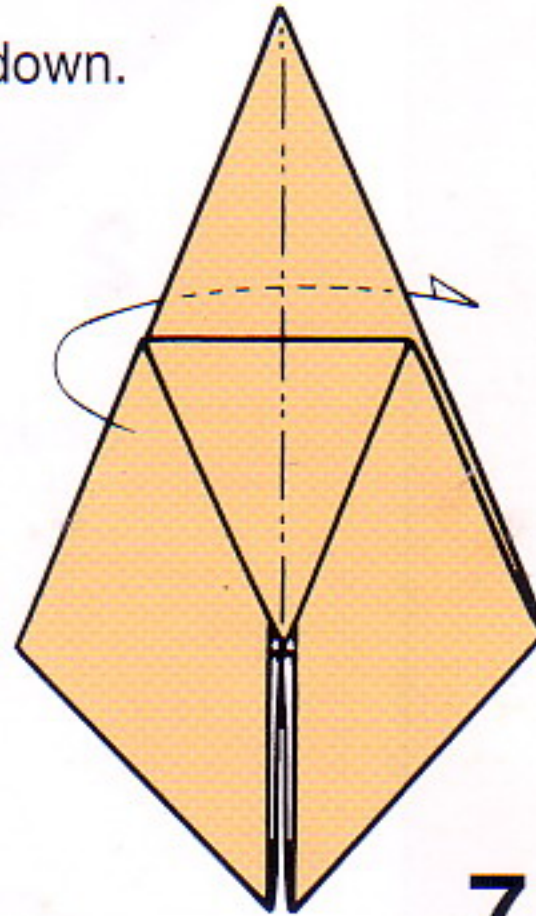
Fold bottom flap back.

5

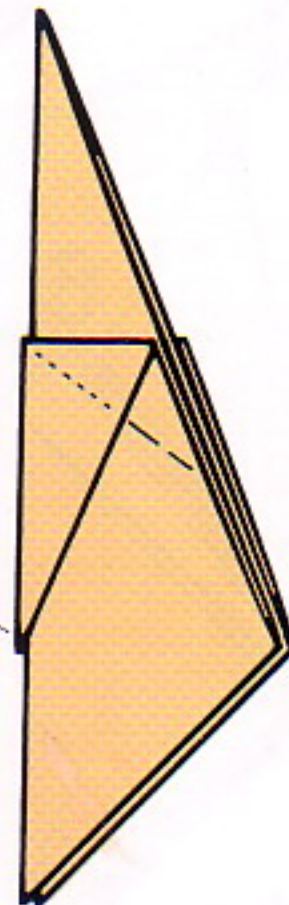


Fold flap down.

6



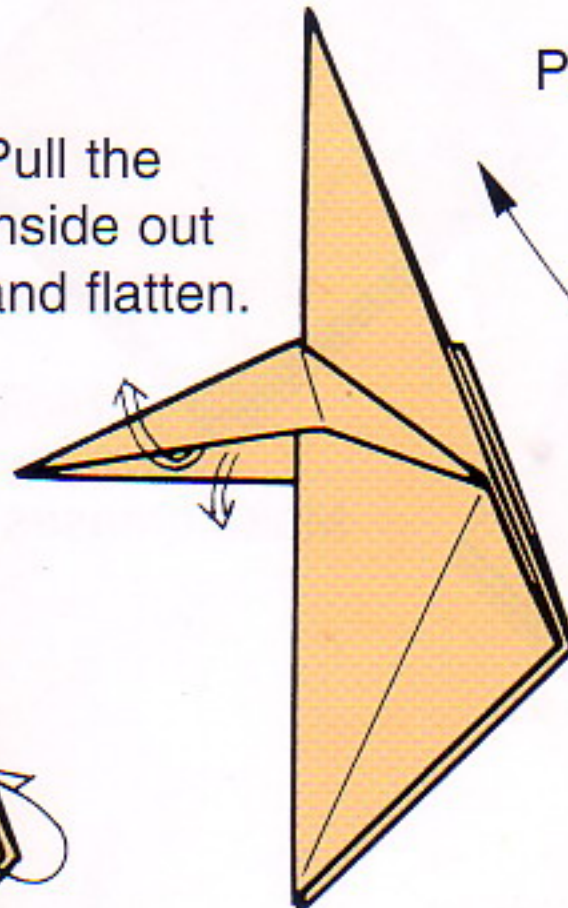
7



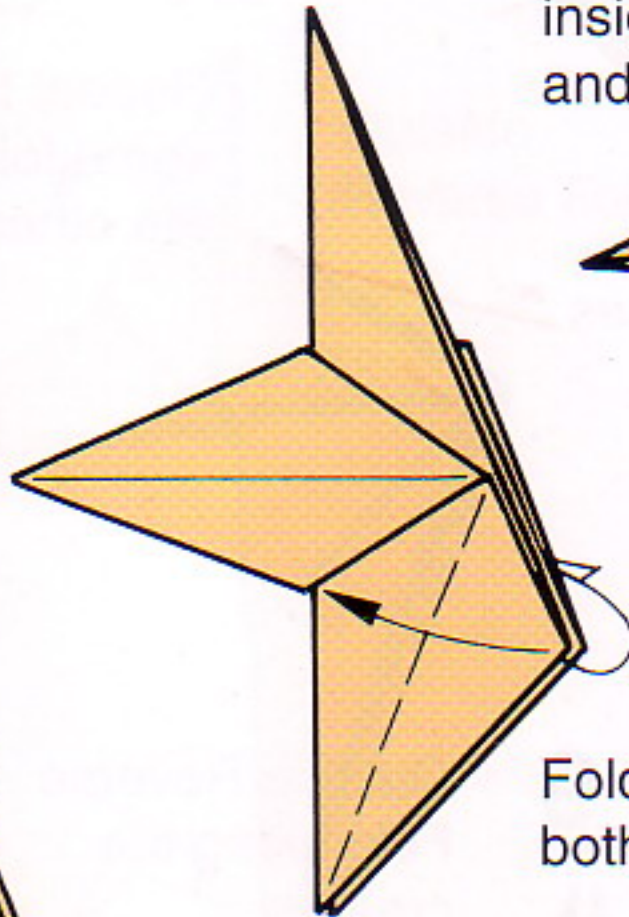
Pull out.

8

Pull the inside out and flatten.



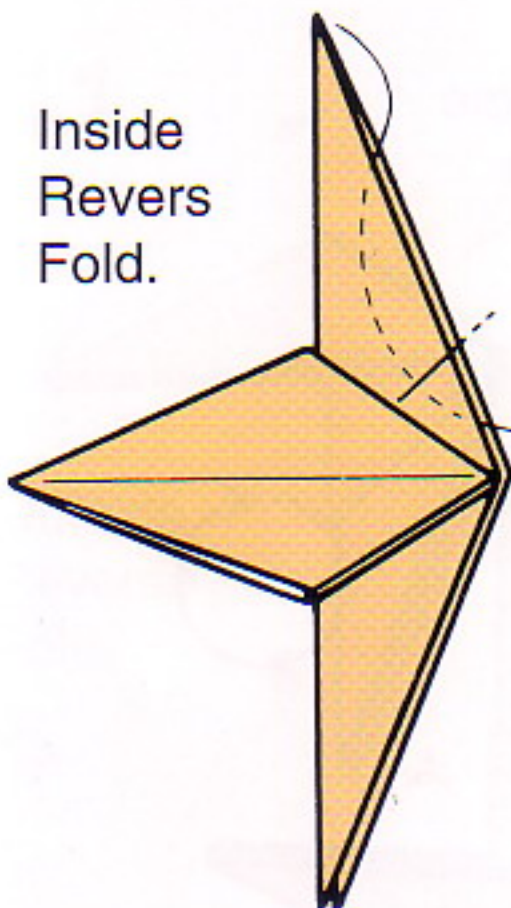
9



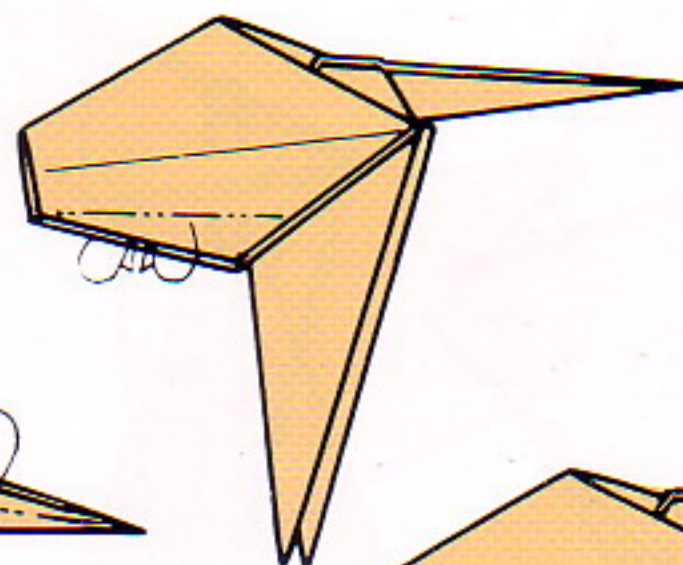
Fold in on both sides.

10

Inside Revers Fold.

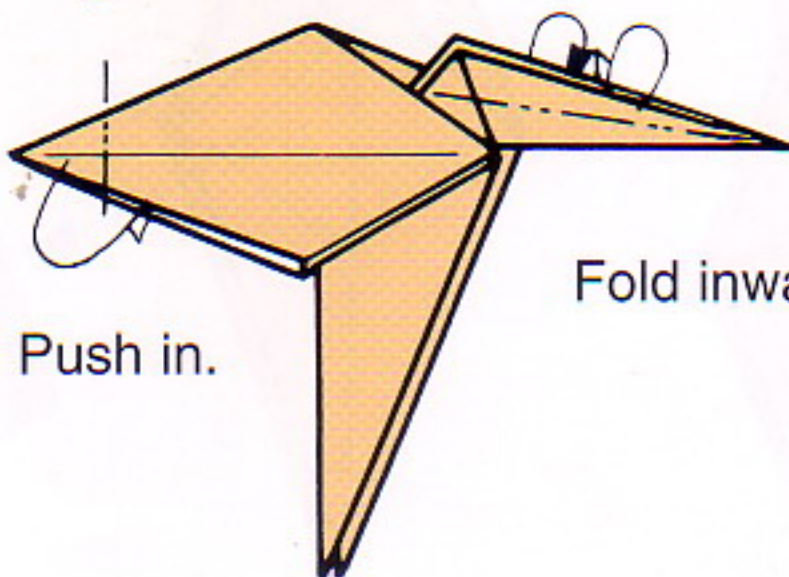


12

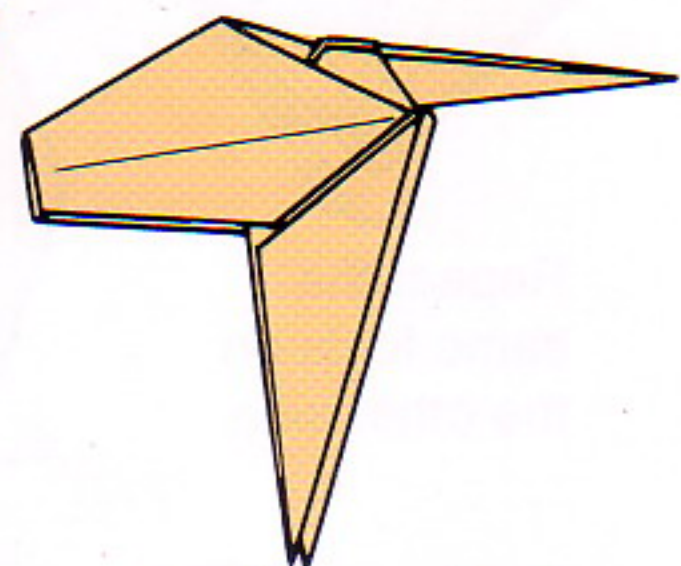


11

Fold inward.



Push in.

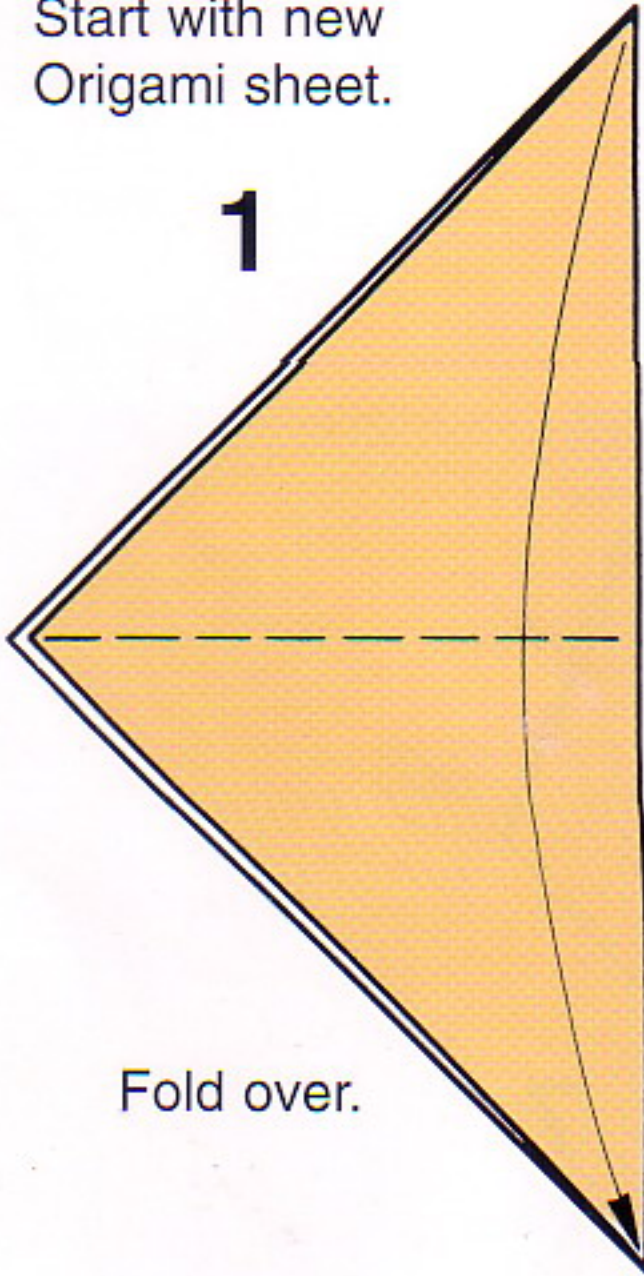


Body completed.



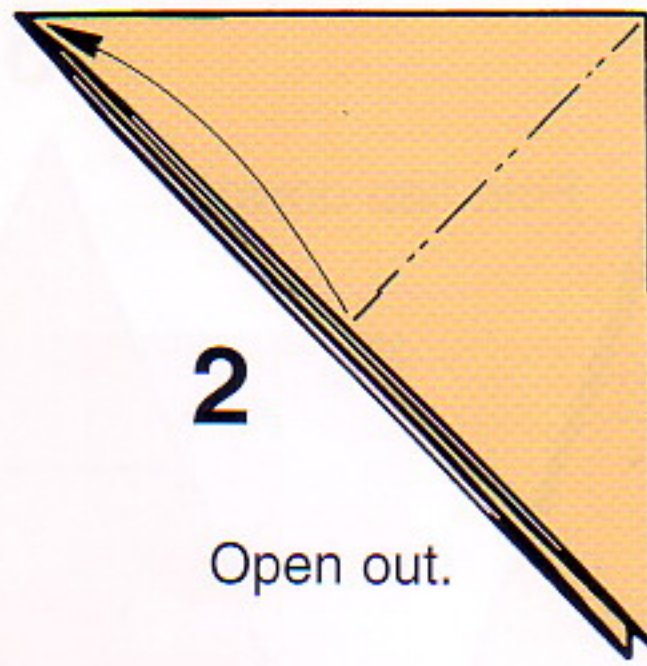
Start with new  
Origami sheet.

**1**



Fold over.

**2**



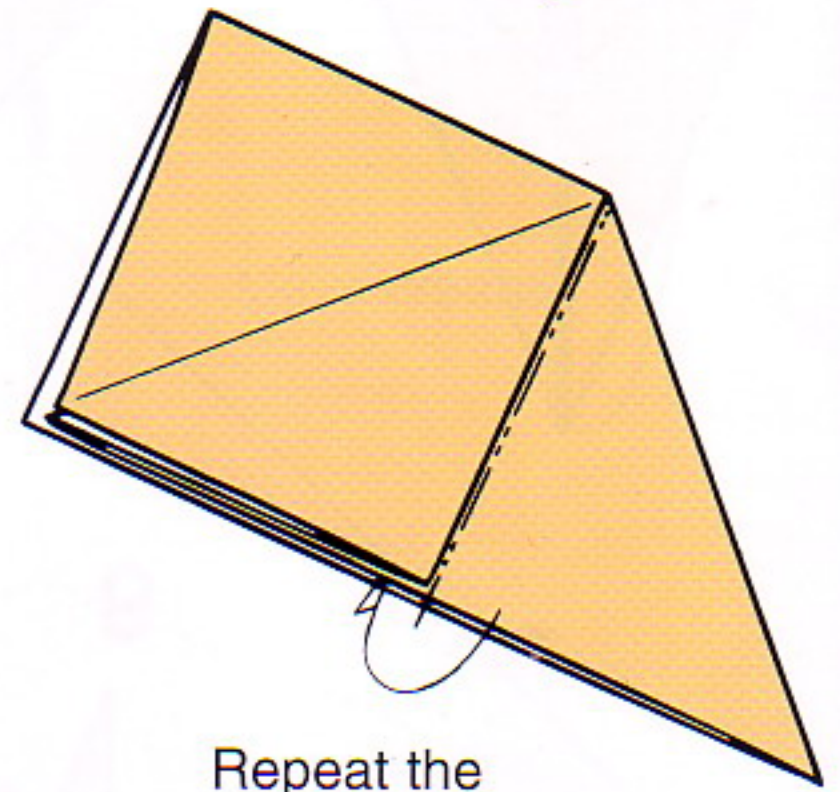
Open out.

**3**



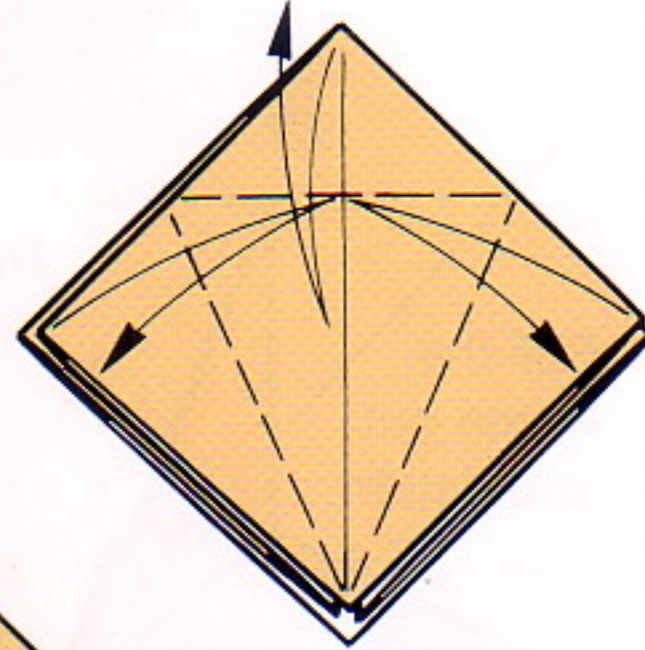
Flatten.

**4**



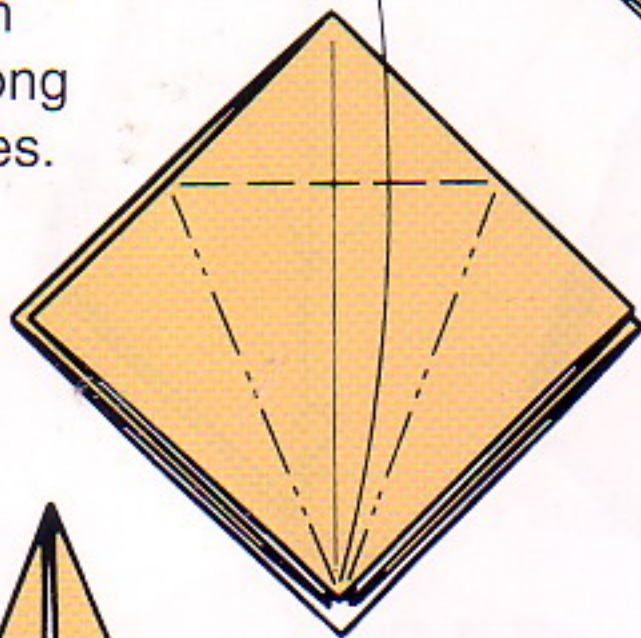
Repeat the  
same folds on  
the other side.

**5**



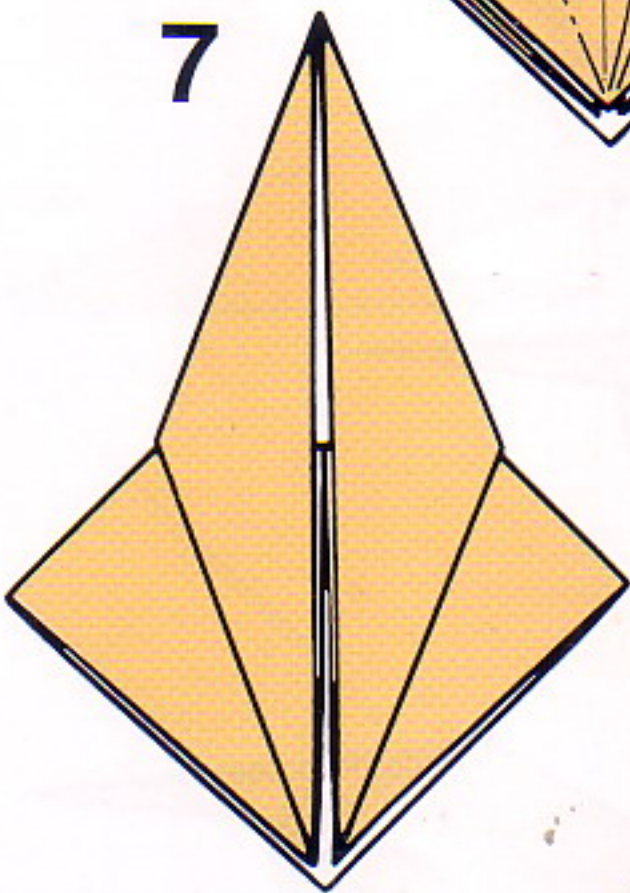
Make creases.

**6**



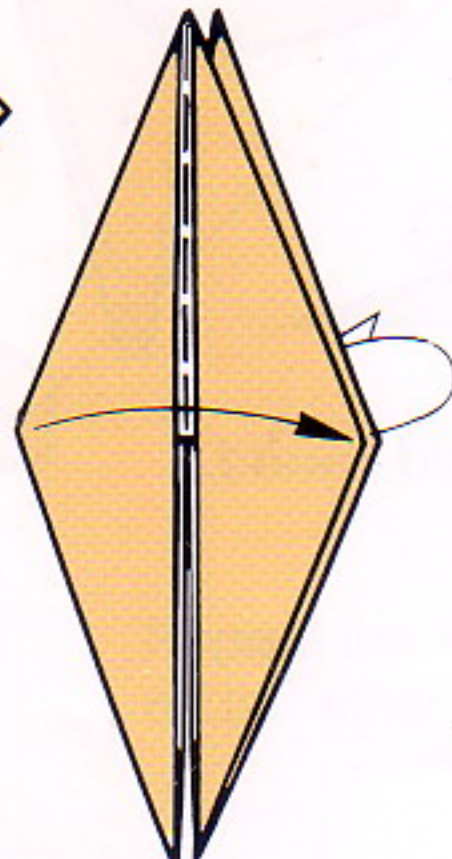
Fold flap up  
and flatten  
inward along  
the creases.

**7**



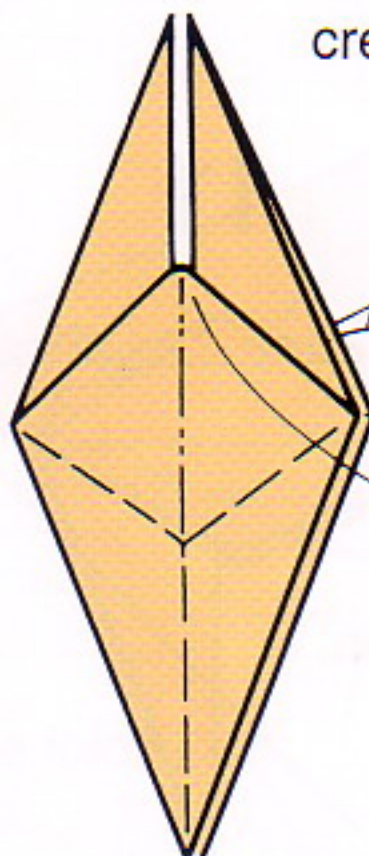
Repeat the  
same folds on  
the other side.

**8**

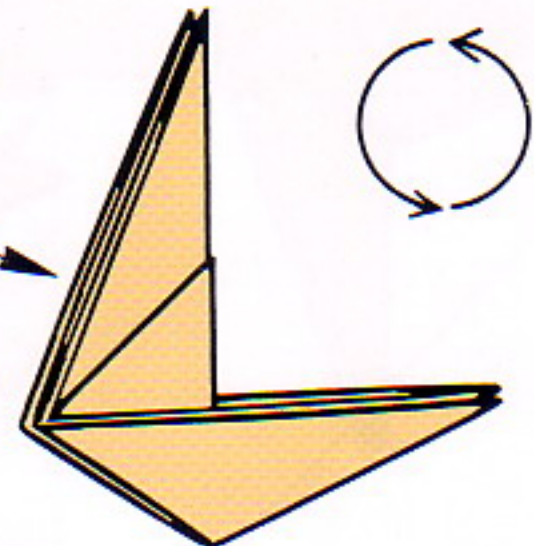


**9**

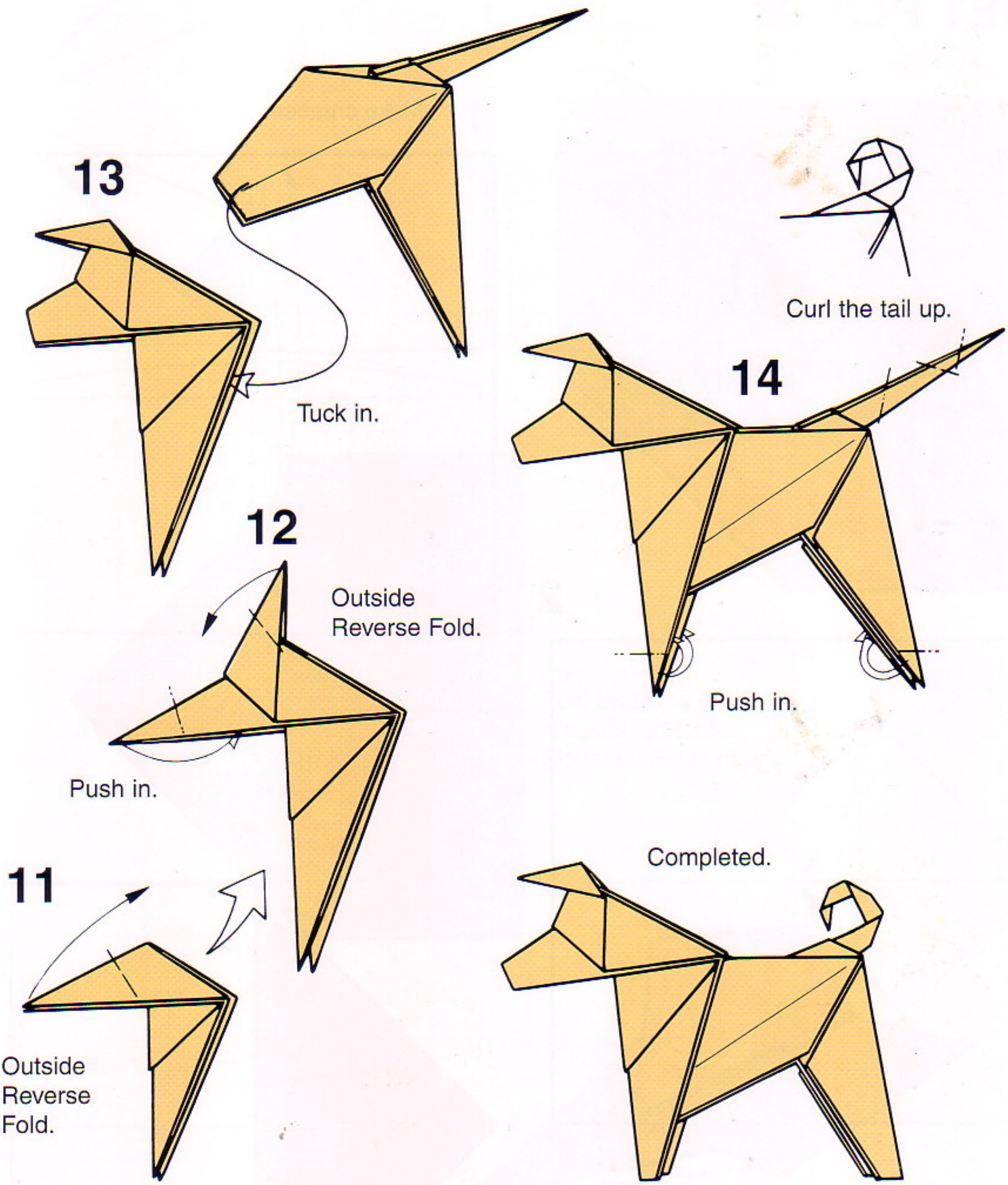
Outside Reverse  
Fold along the  
creases.



**10**



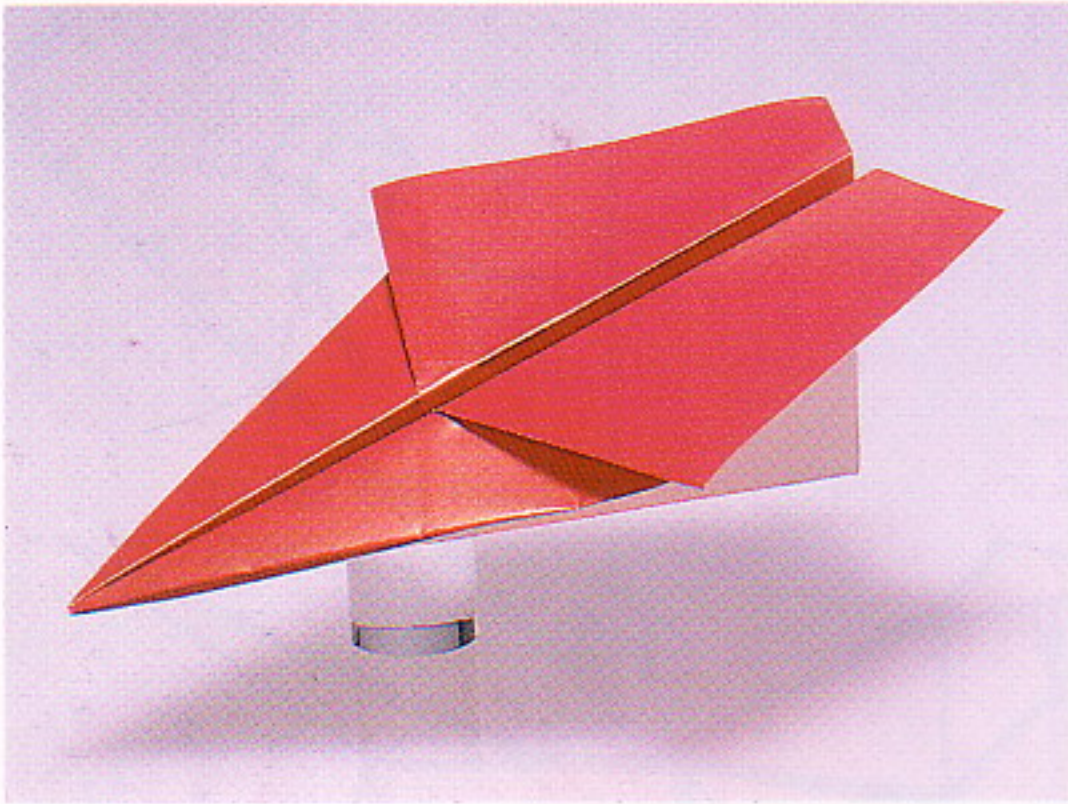




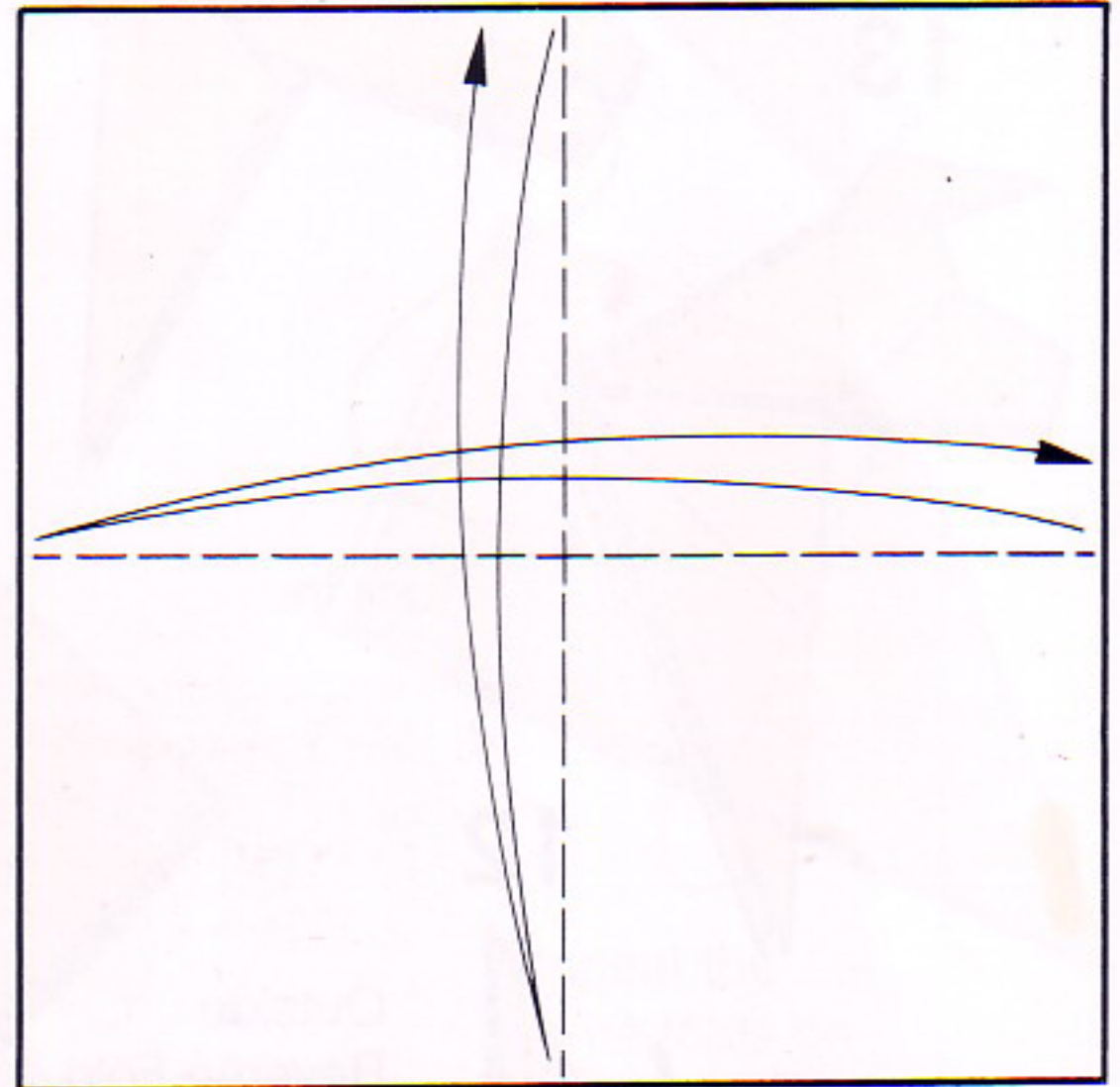


# IN THE PLAYROOM

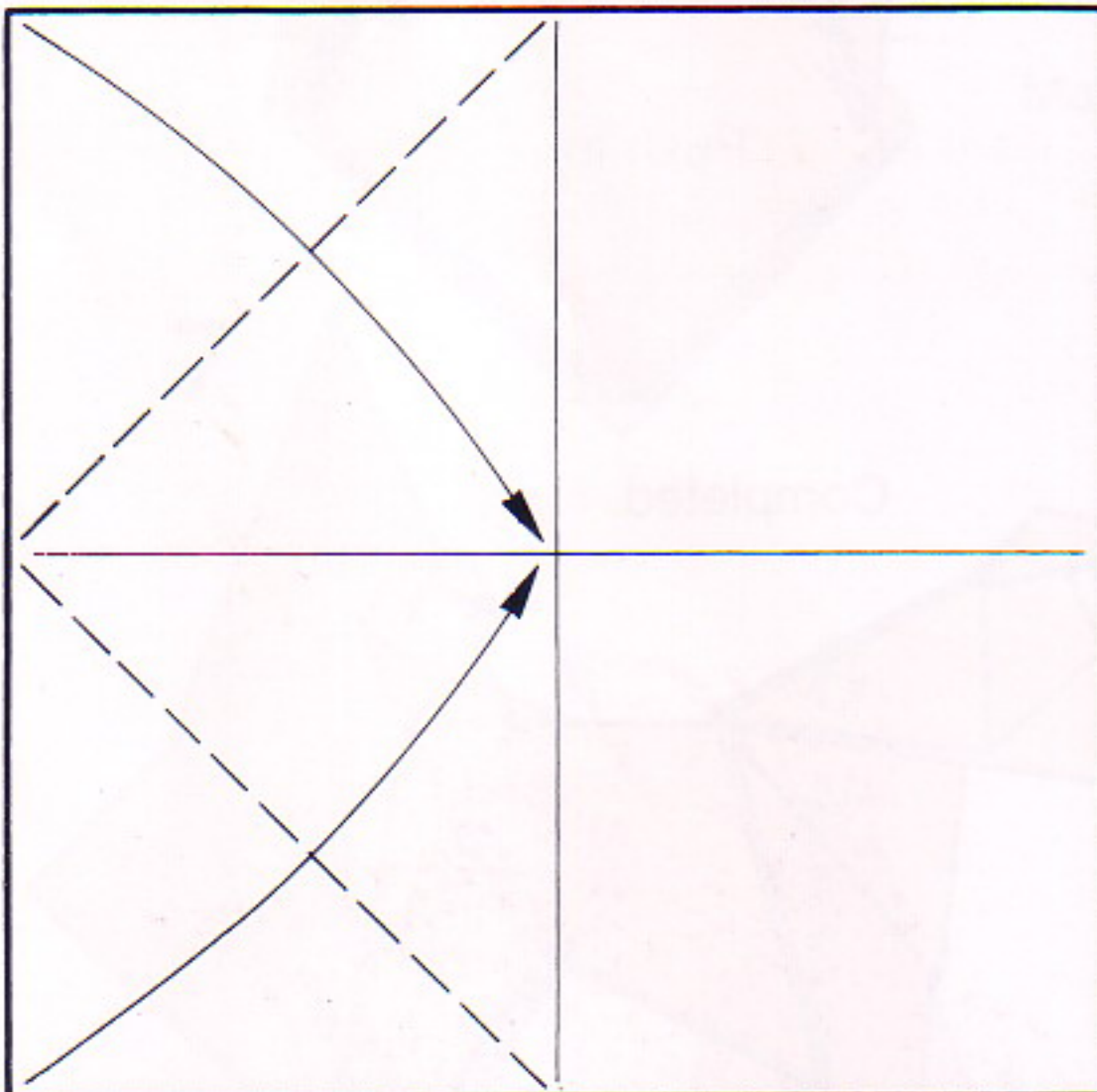
## JET PLANE



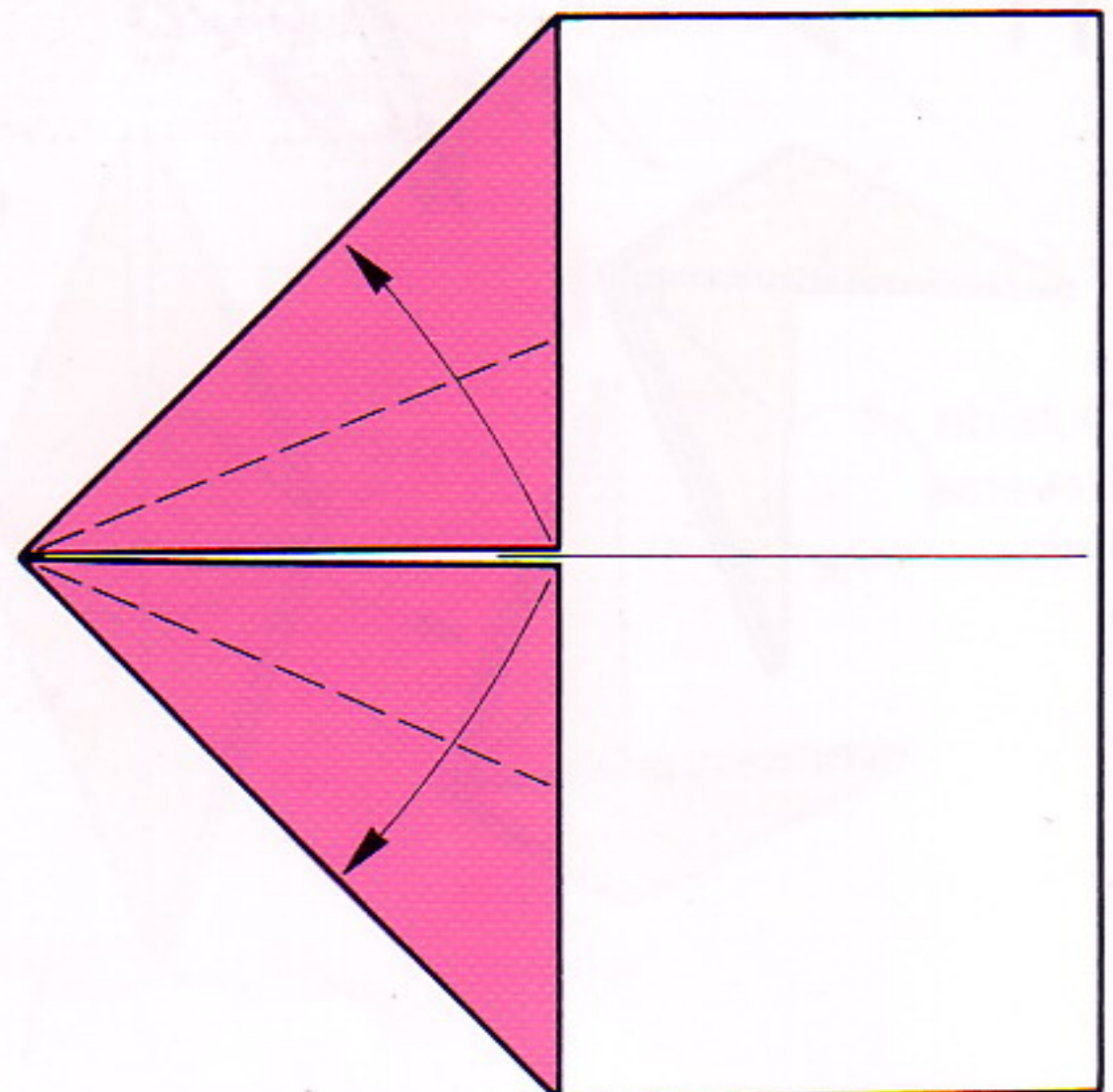
**1** Make creases.



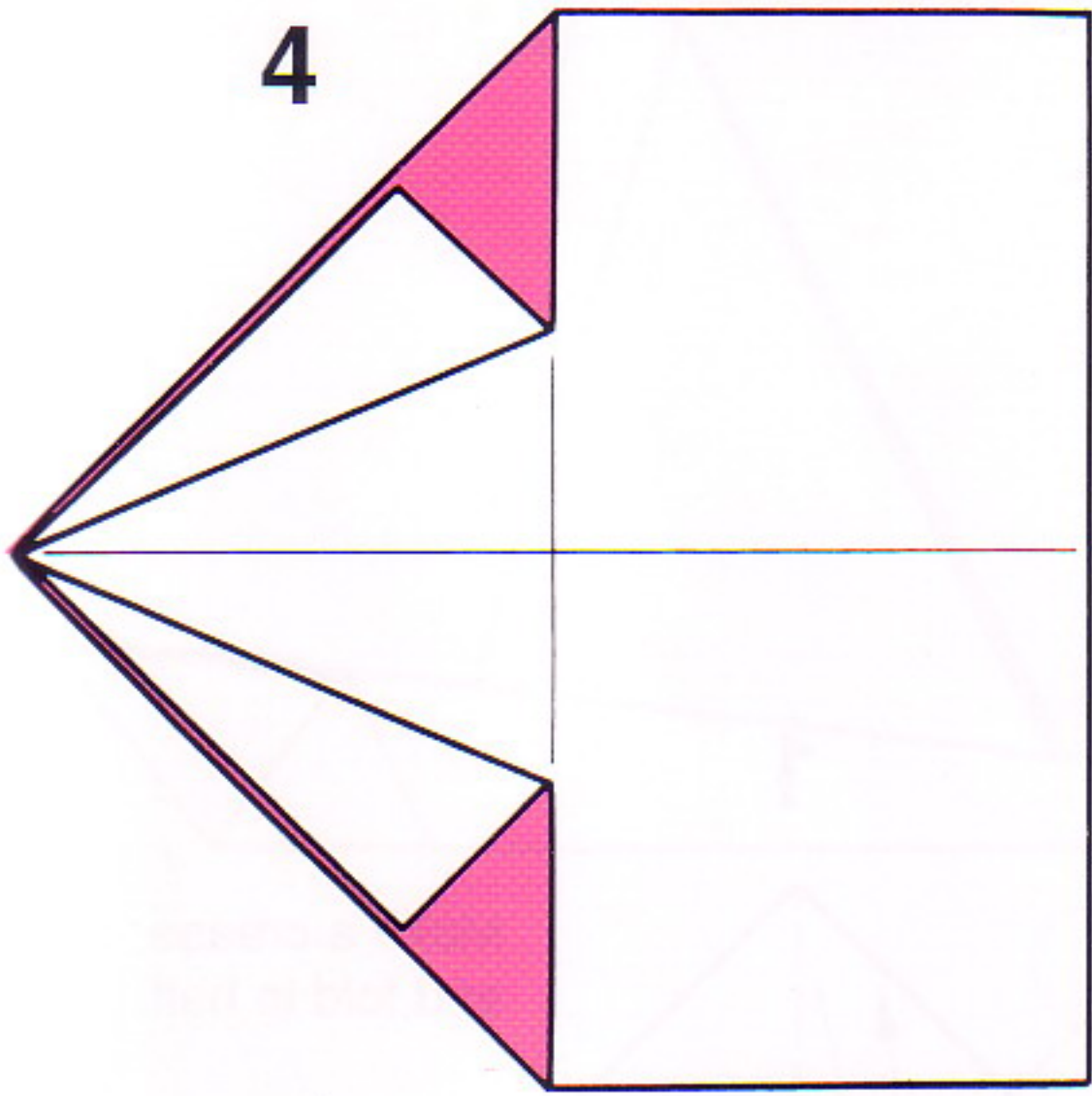
**2**



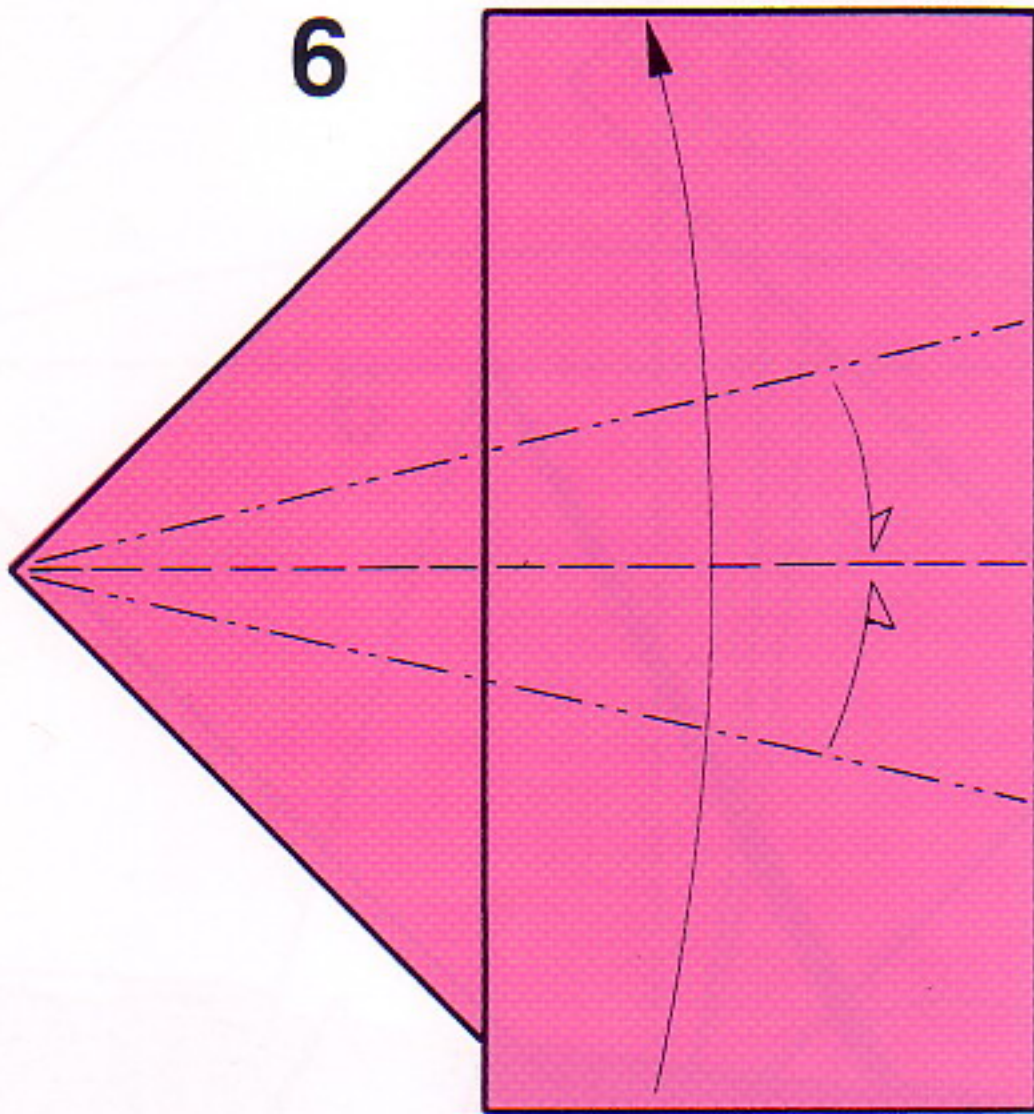
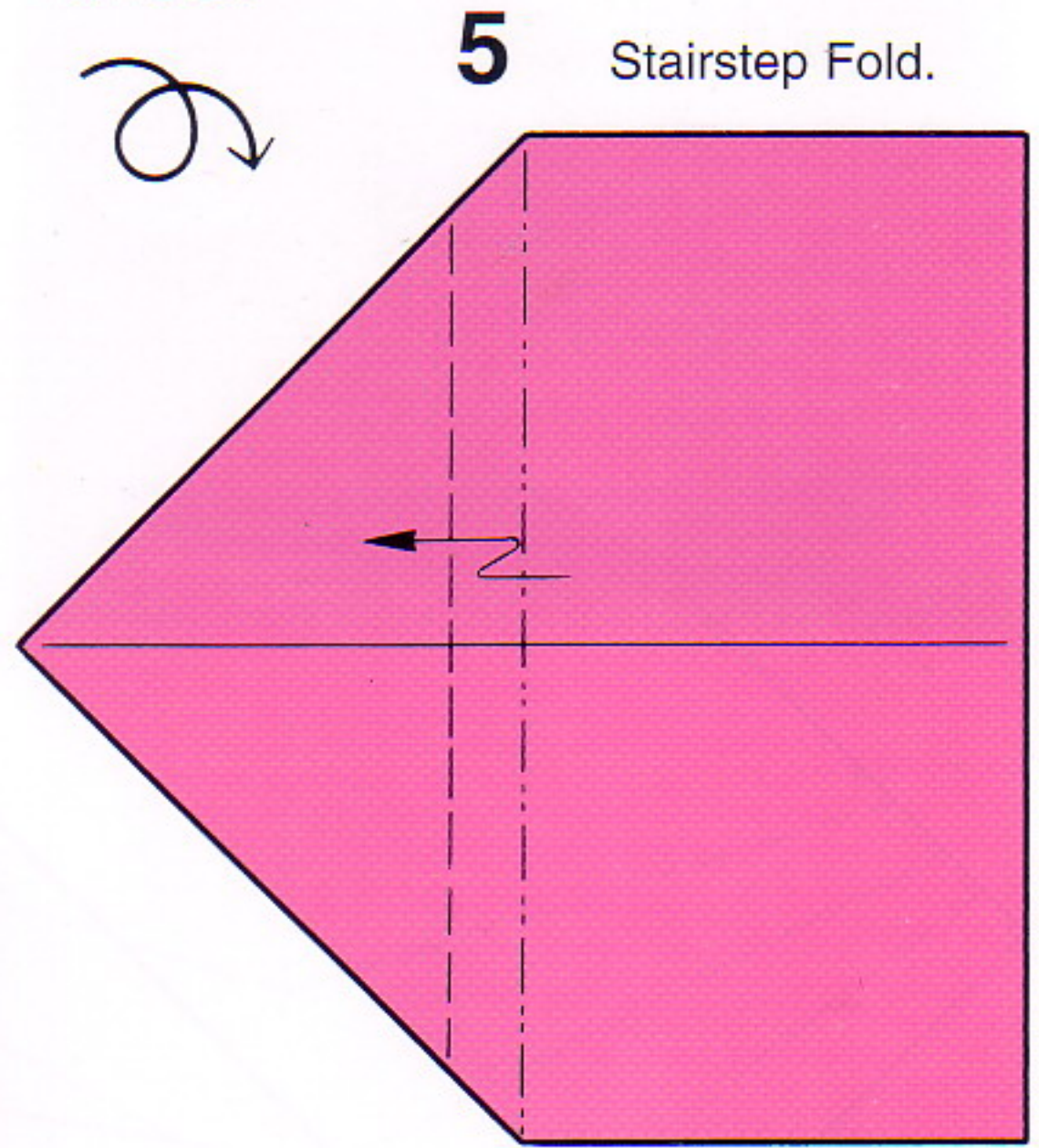
**3**



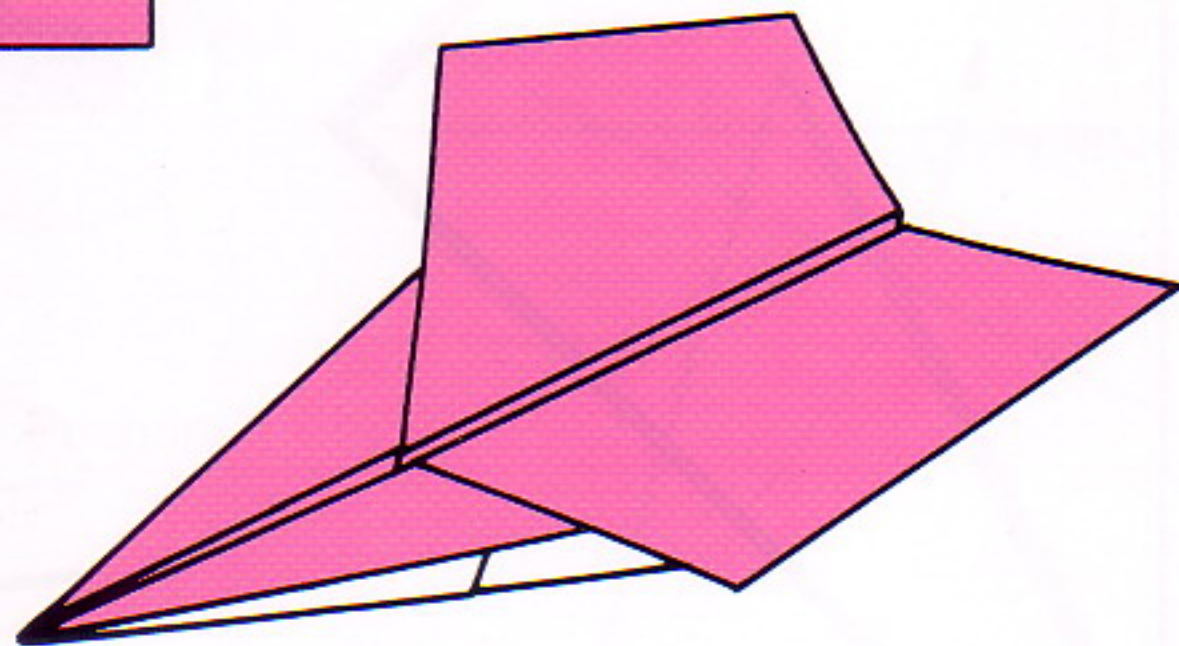




Turn over.



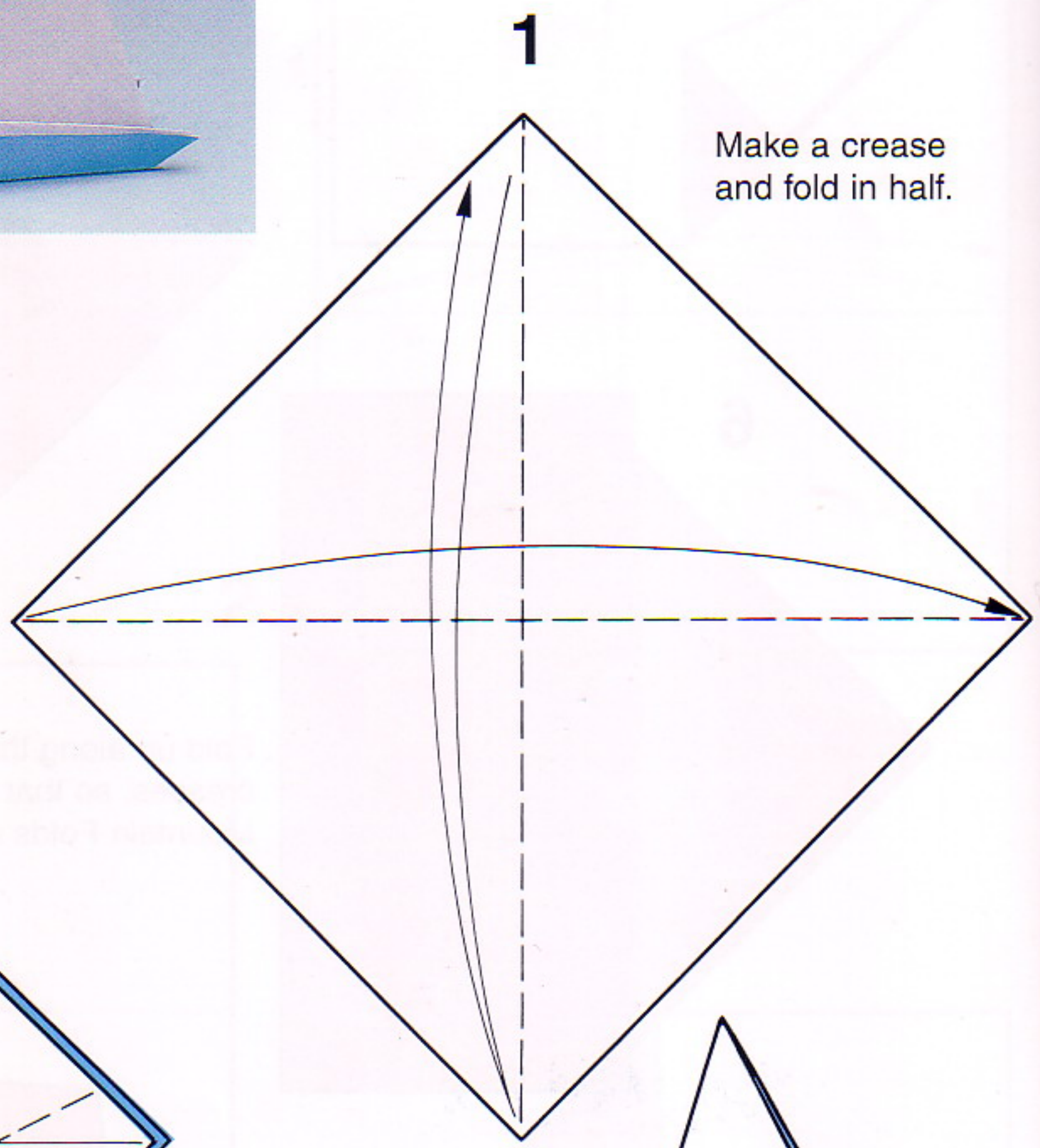
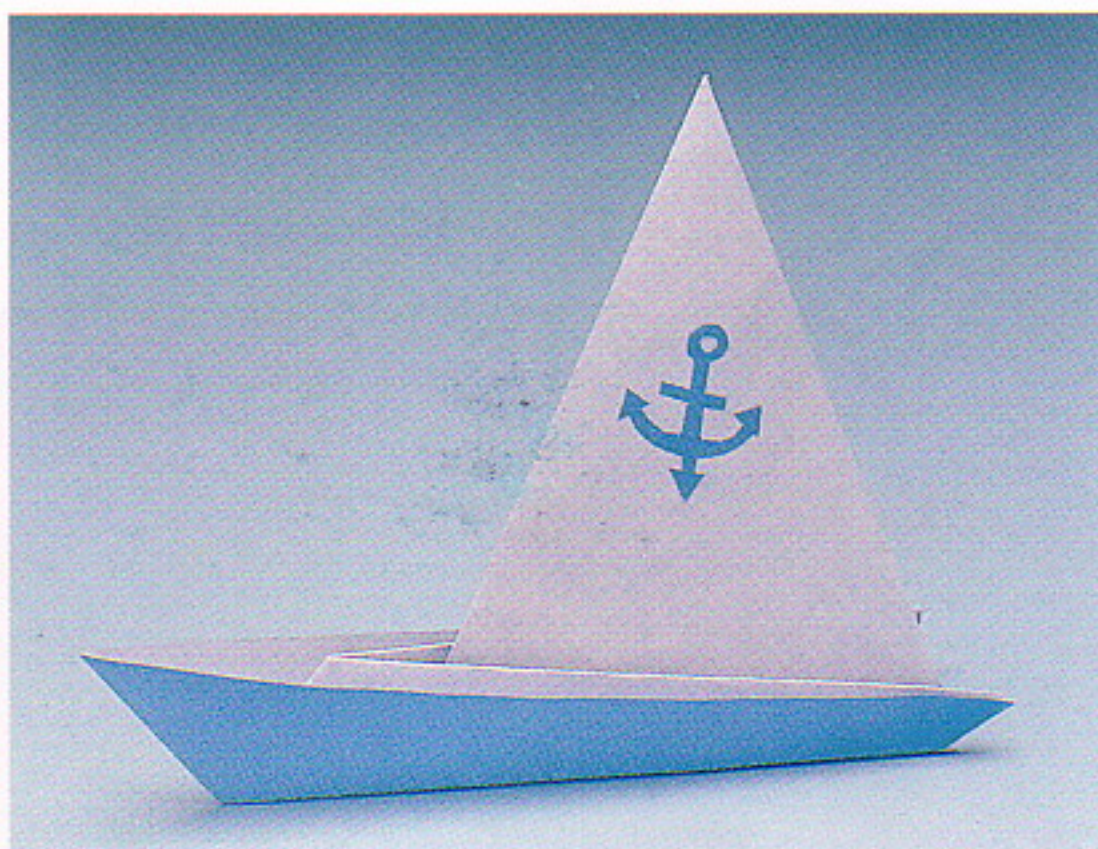
Fold up along the creases, so that Mountain Folds meet.



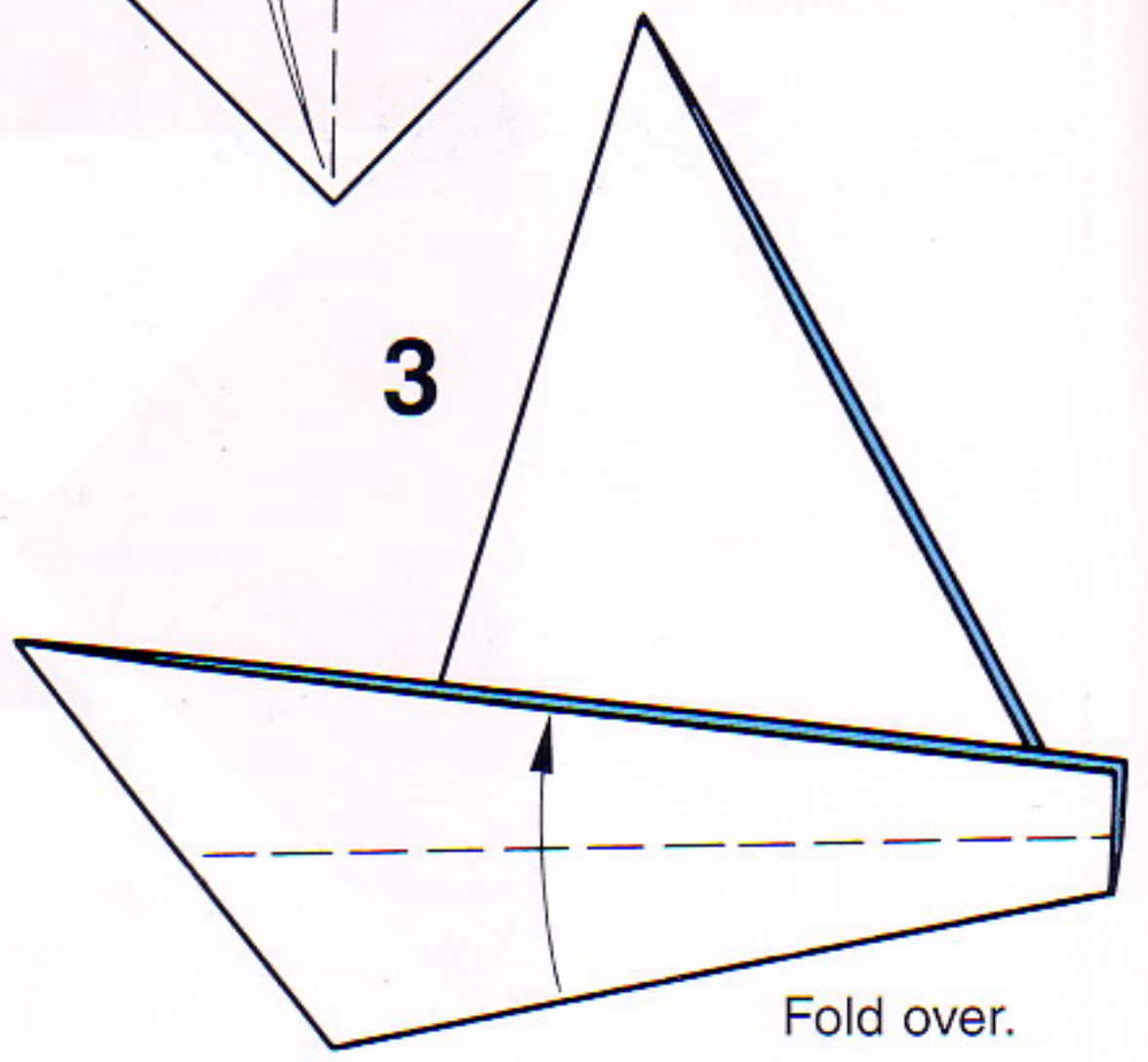
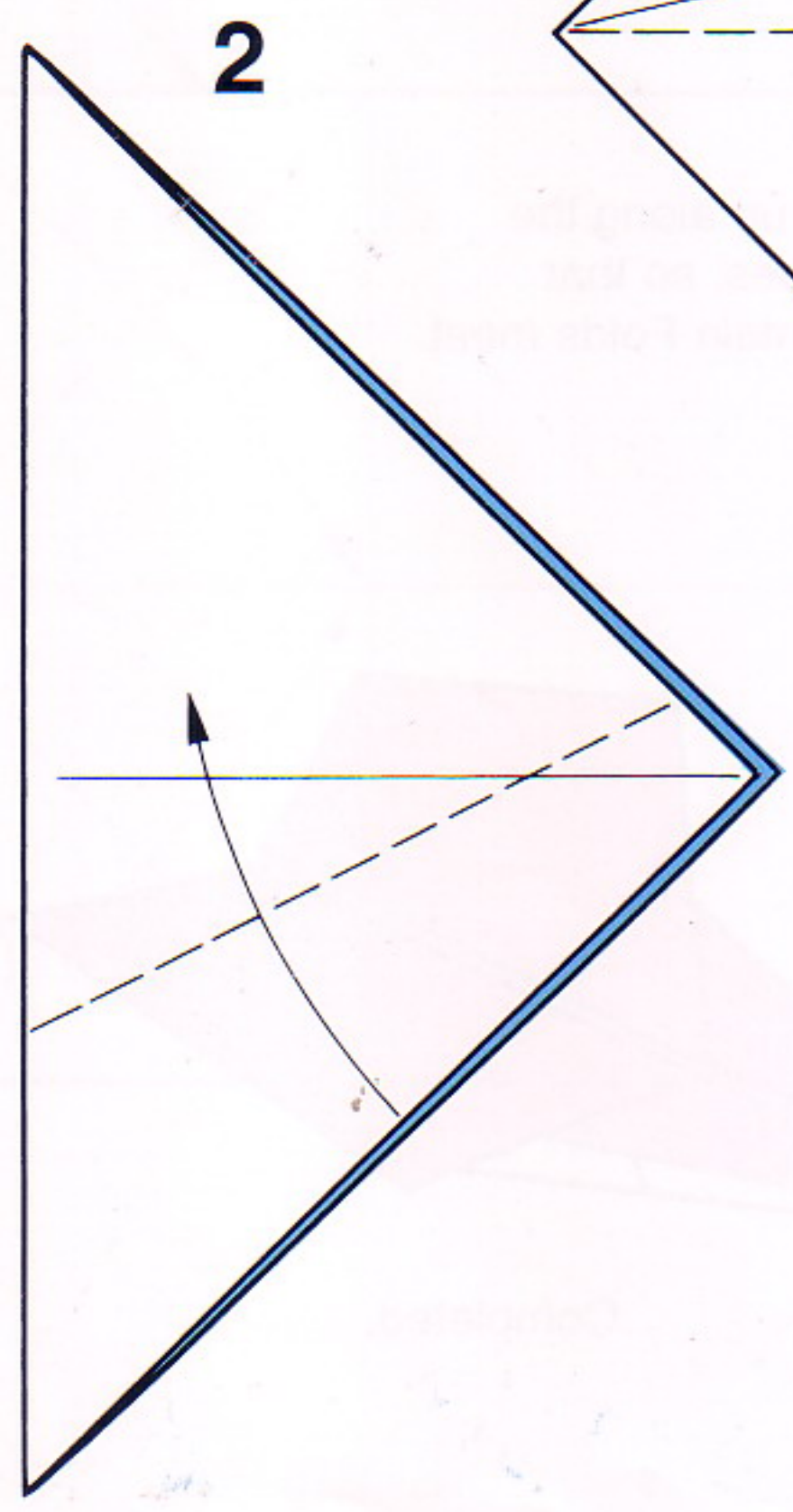
Completed.



# YACHT



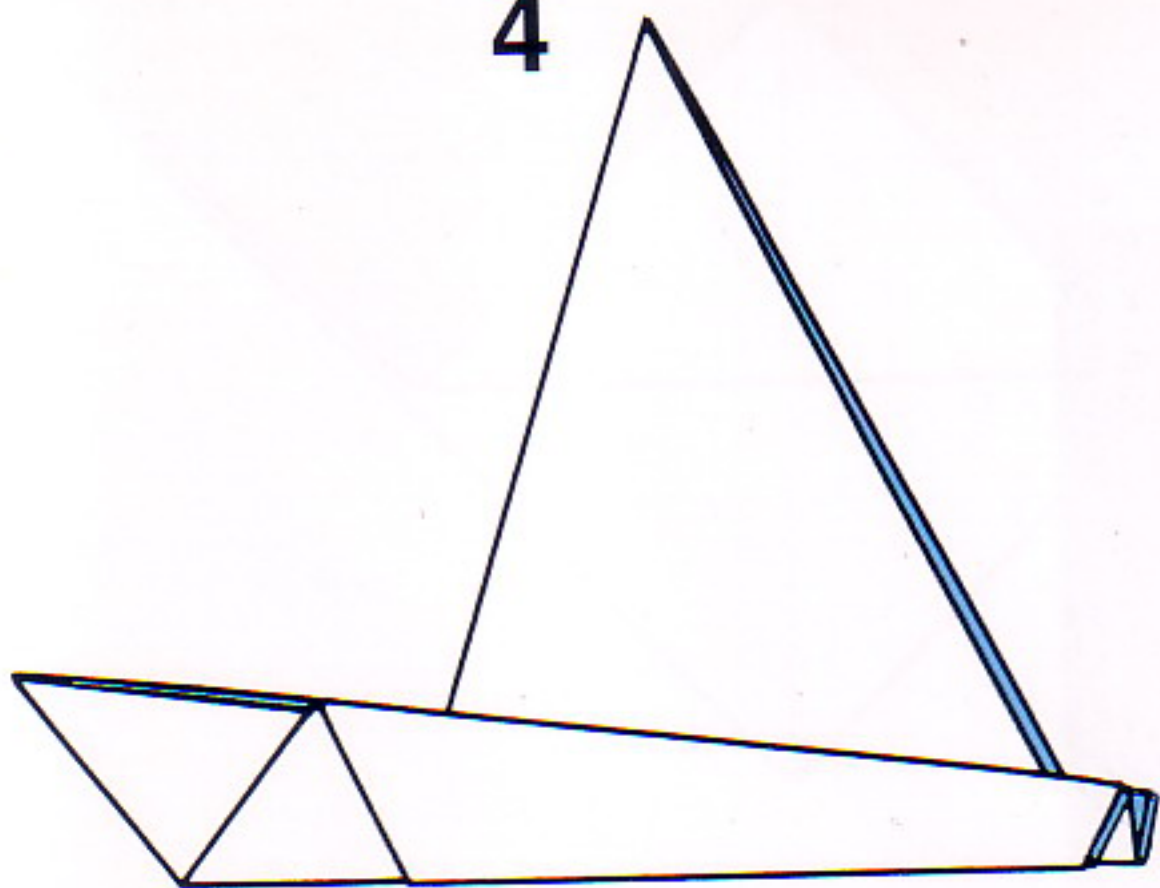
Make a crease and fold in half.



Fold over.

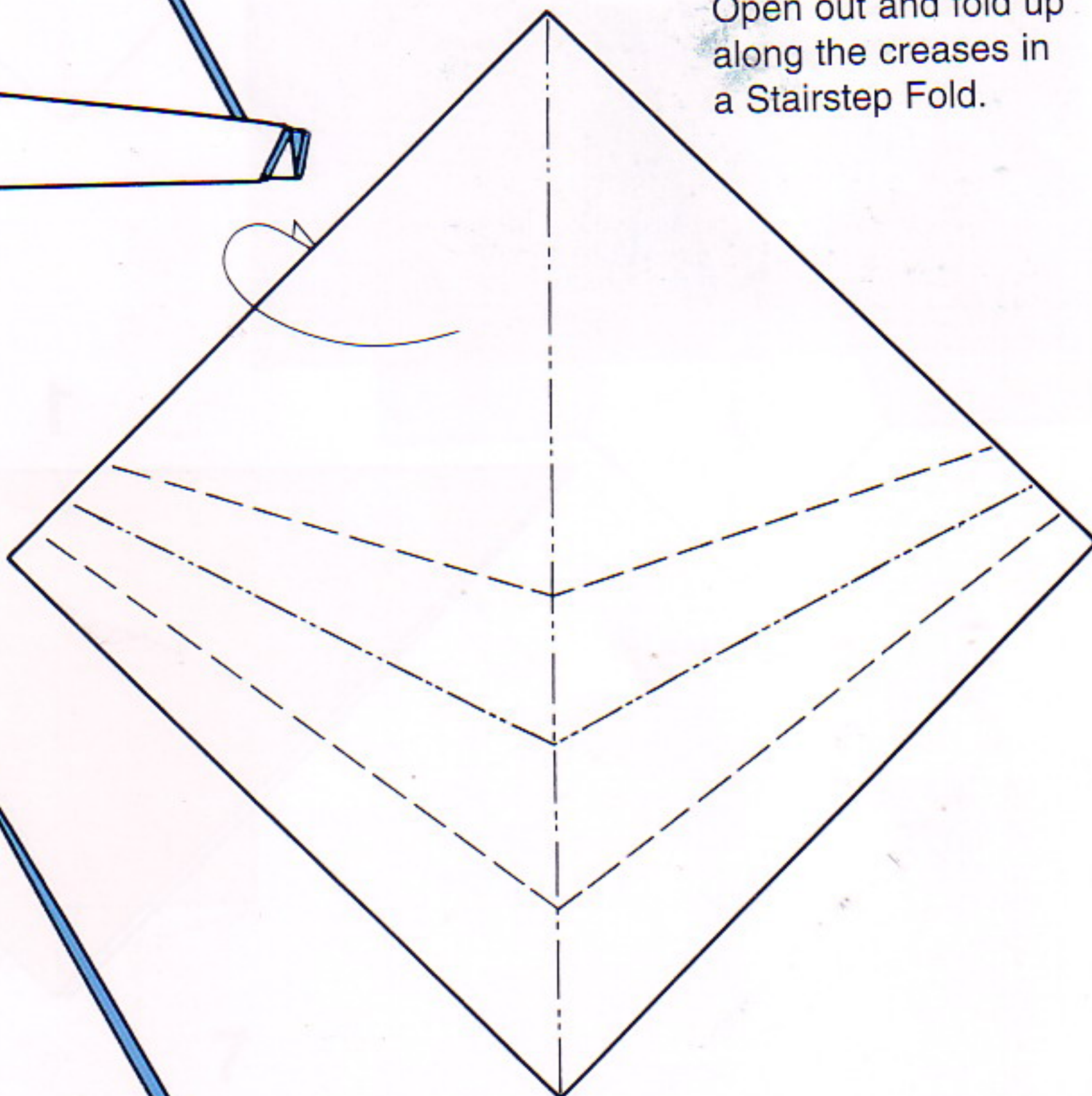


4

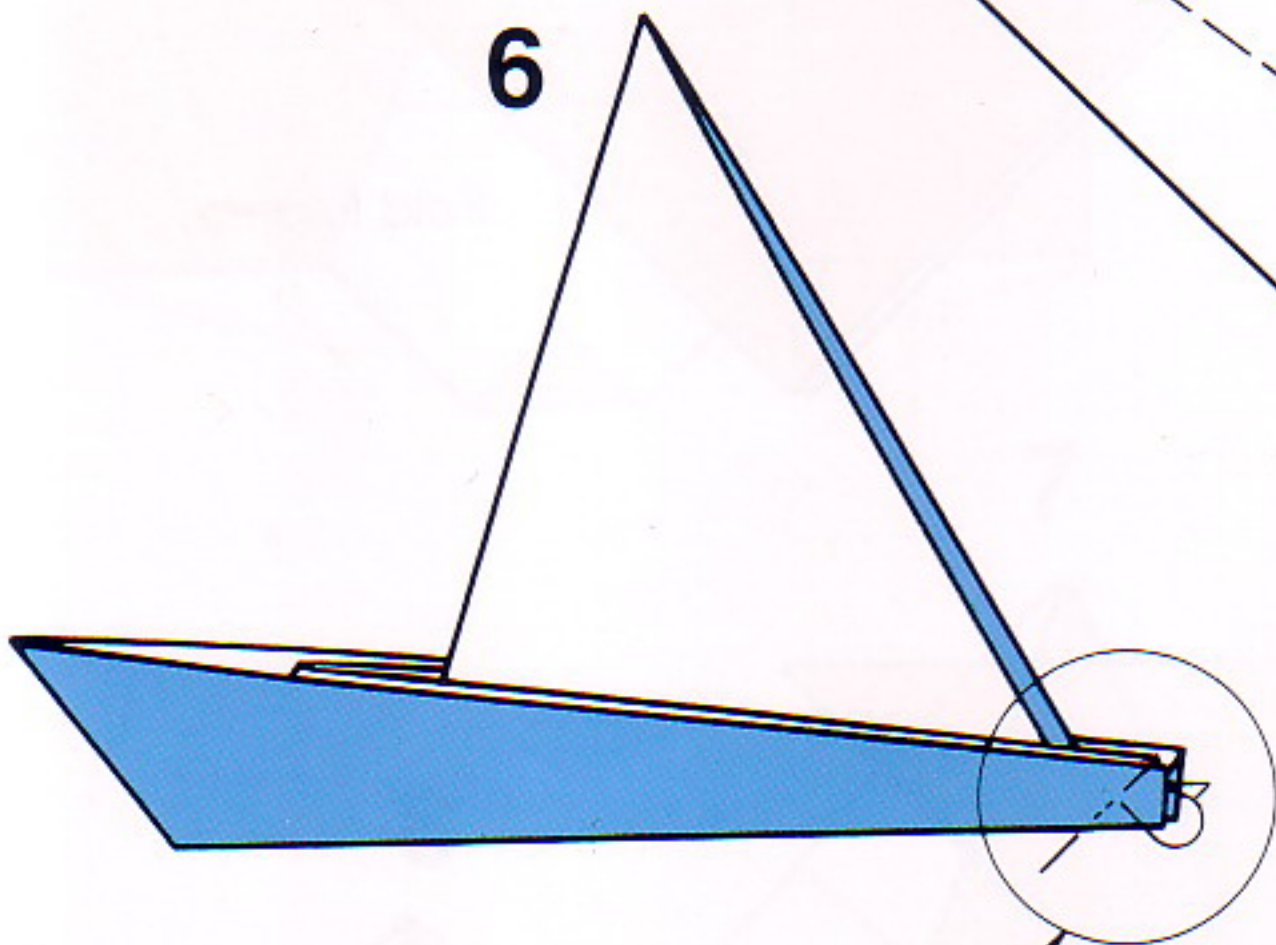


5

Open out and fold up along the creases in a Stairstep Fold.

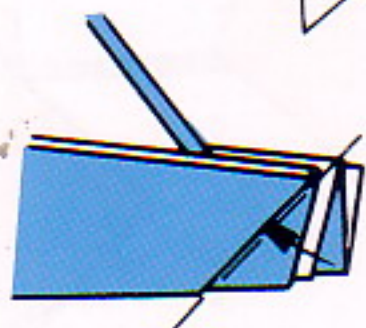


6

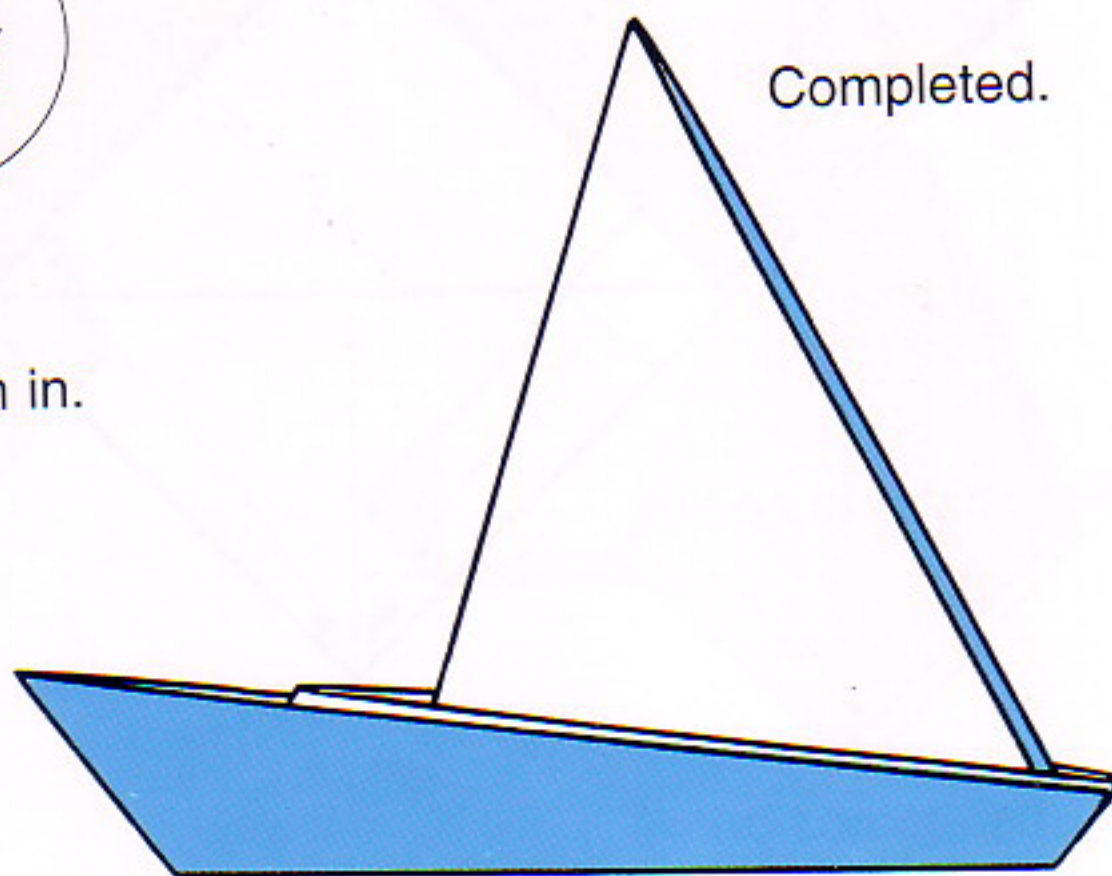


Push in.

7

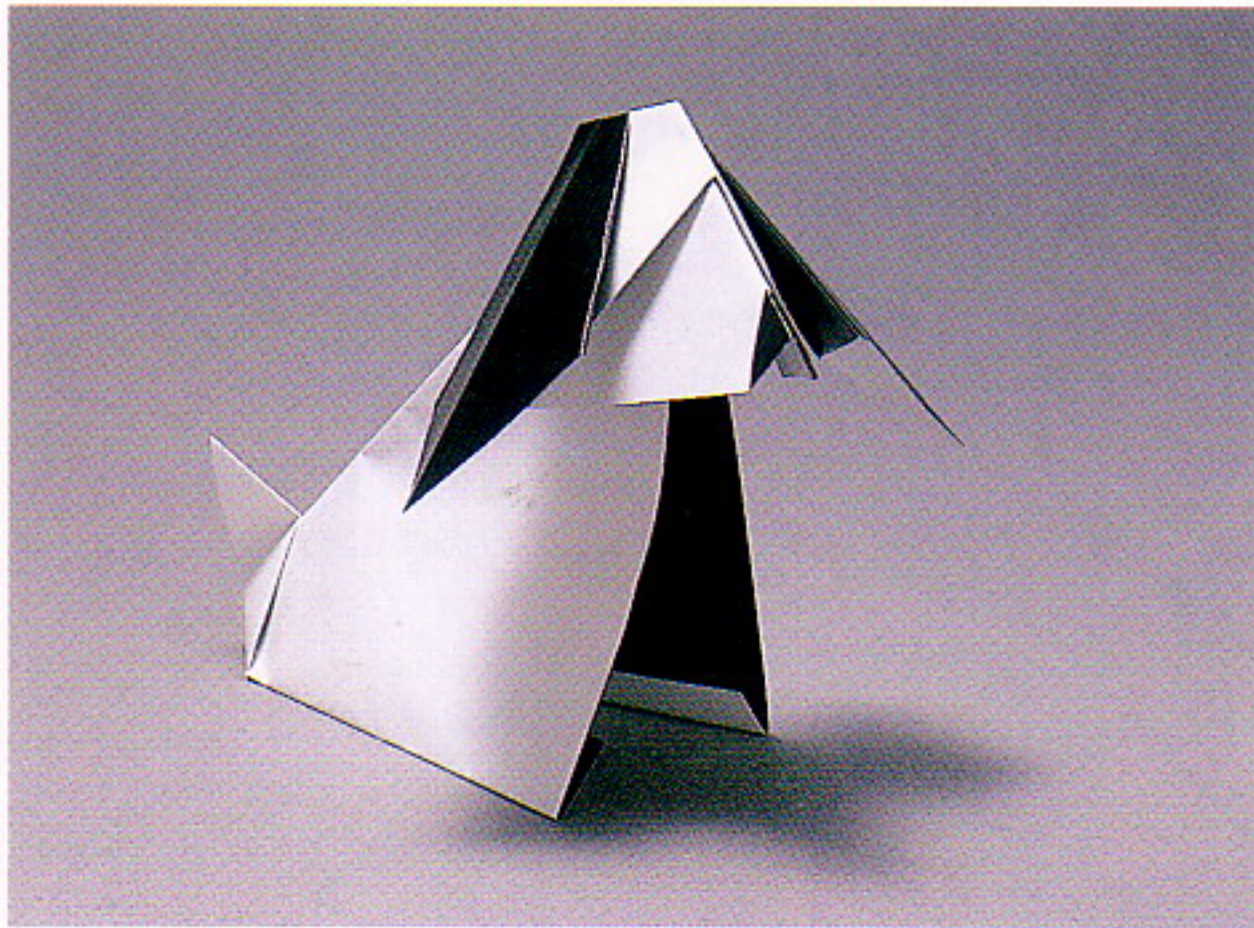


Completed.

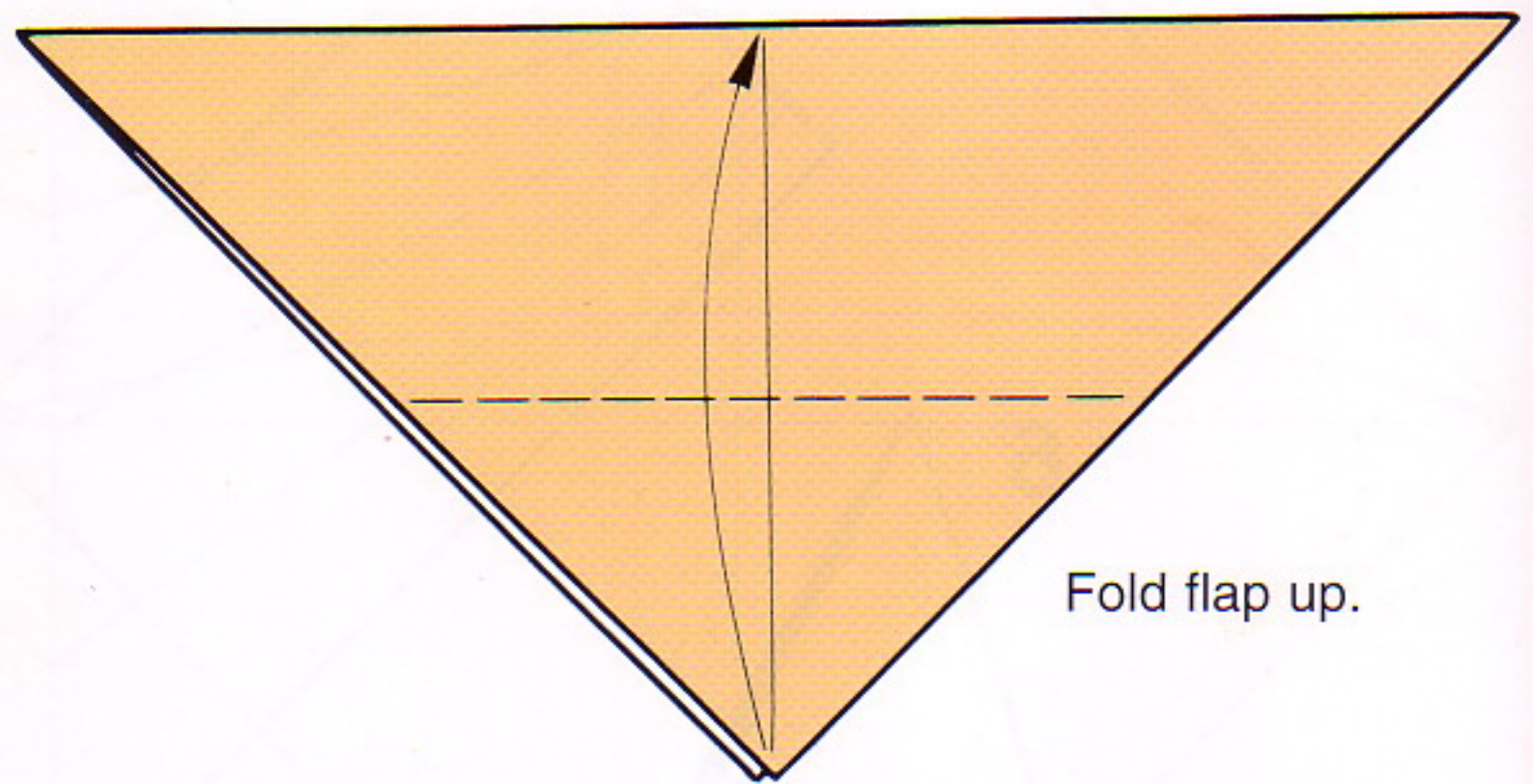




# NODDING PUPPY

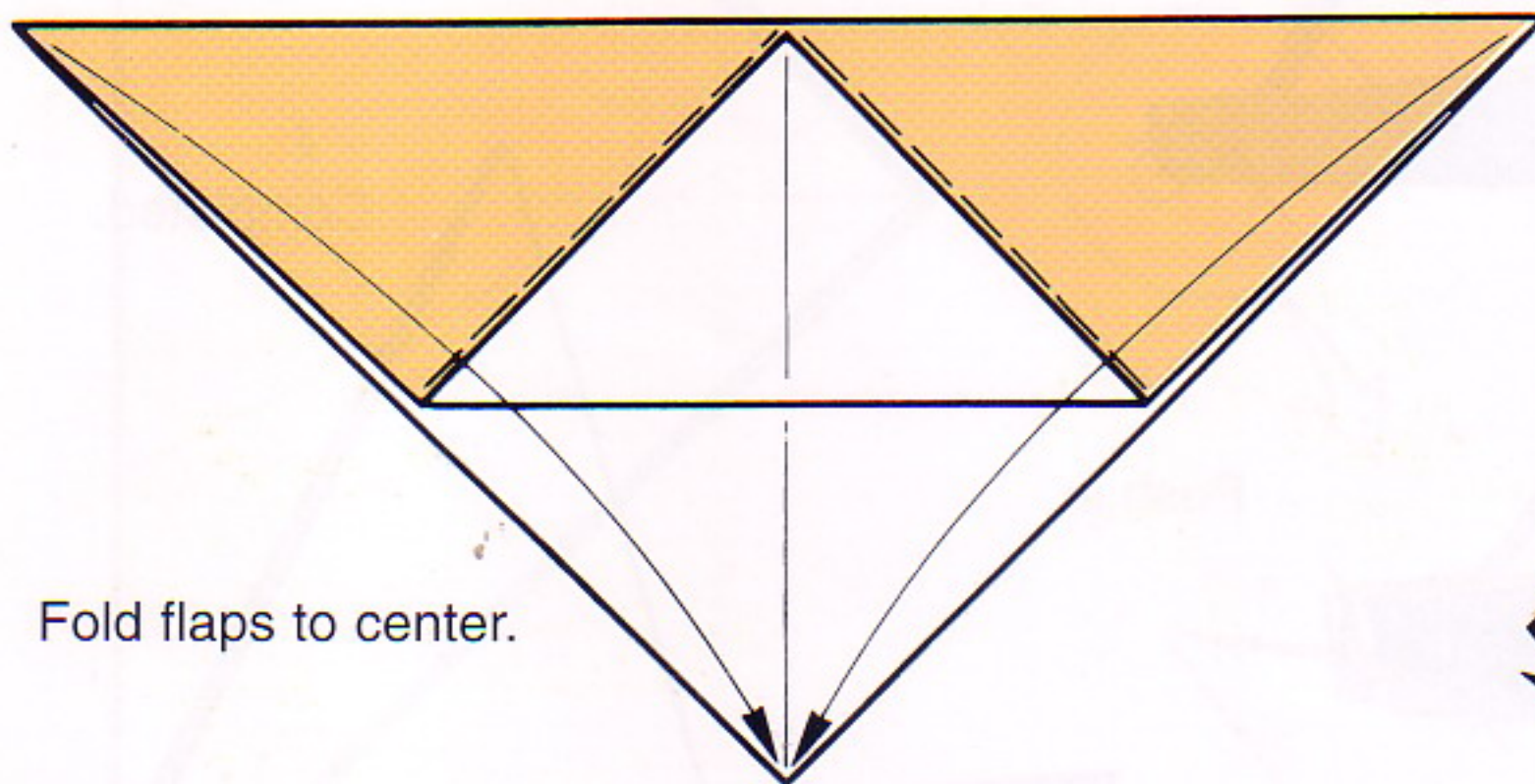


1



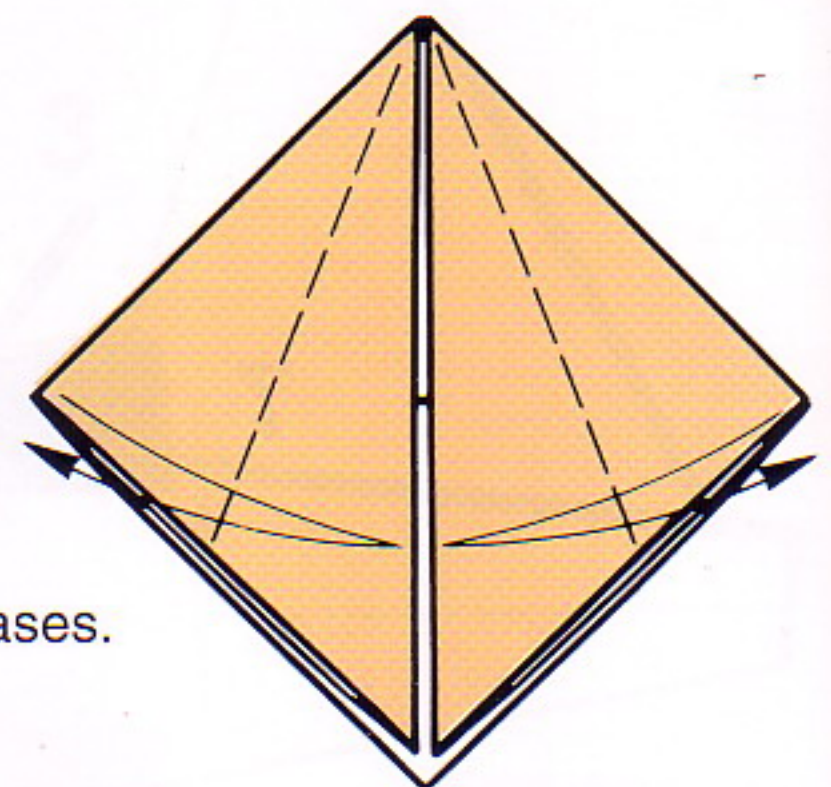
Fold flap up.

2



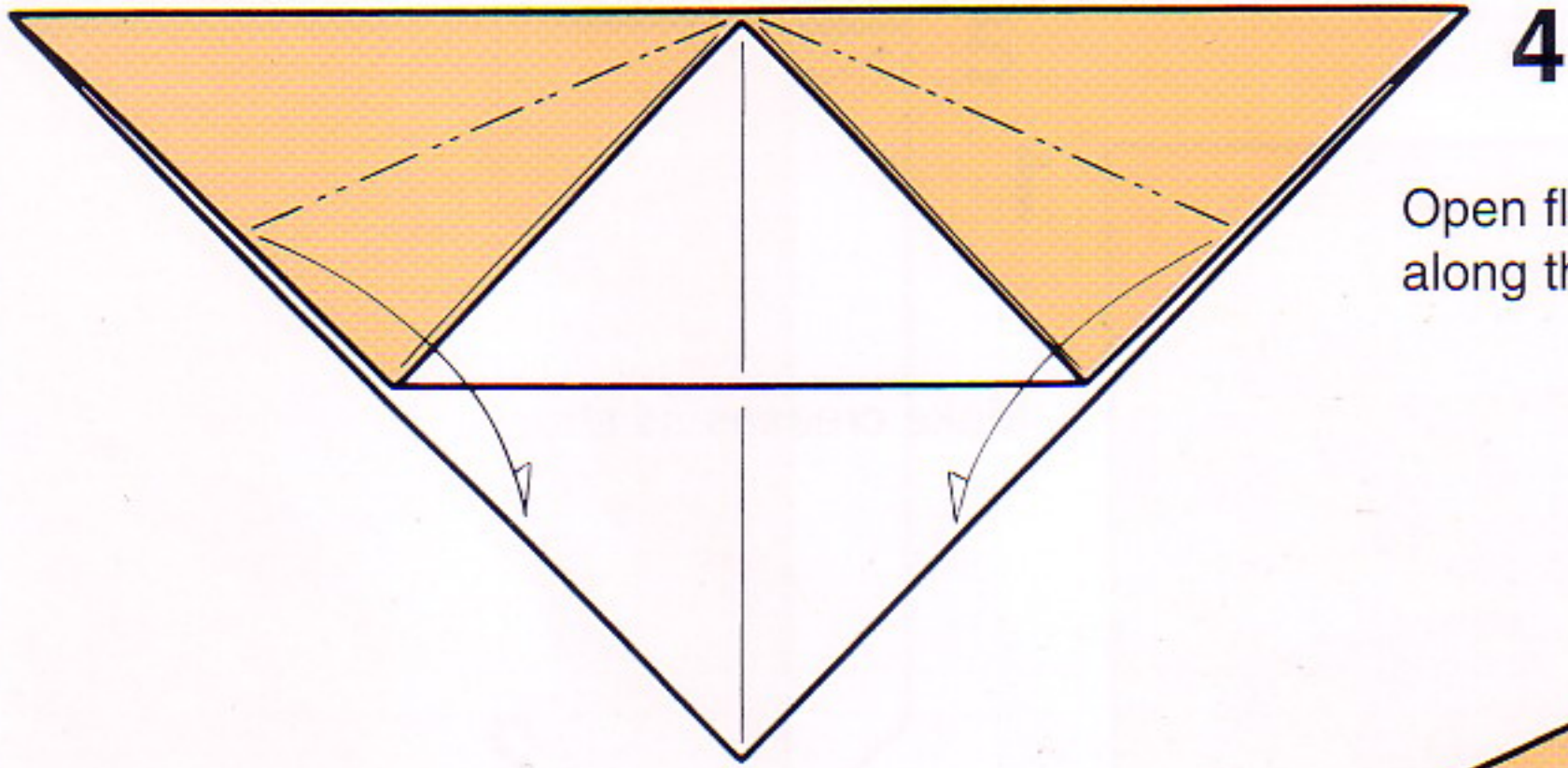
Fold flaps to center.

3



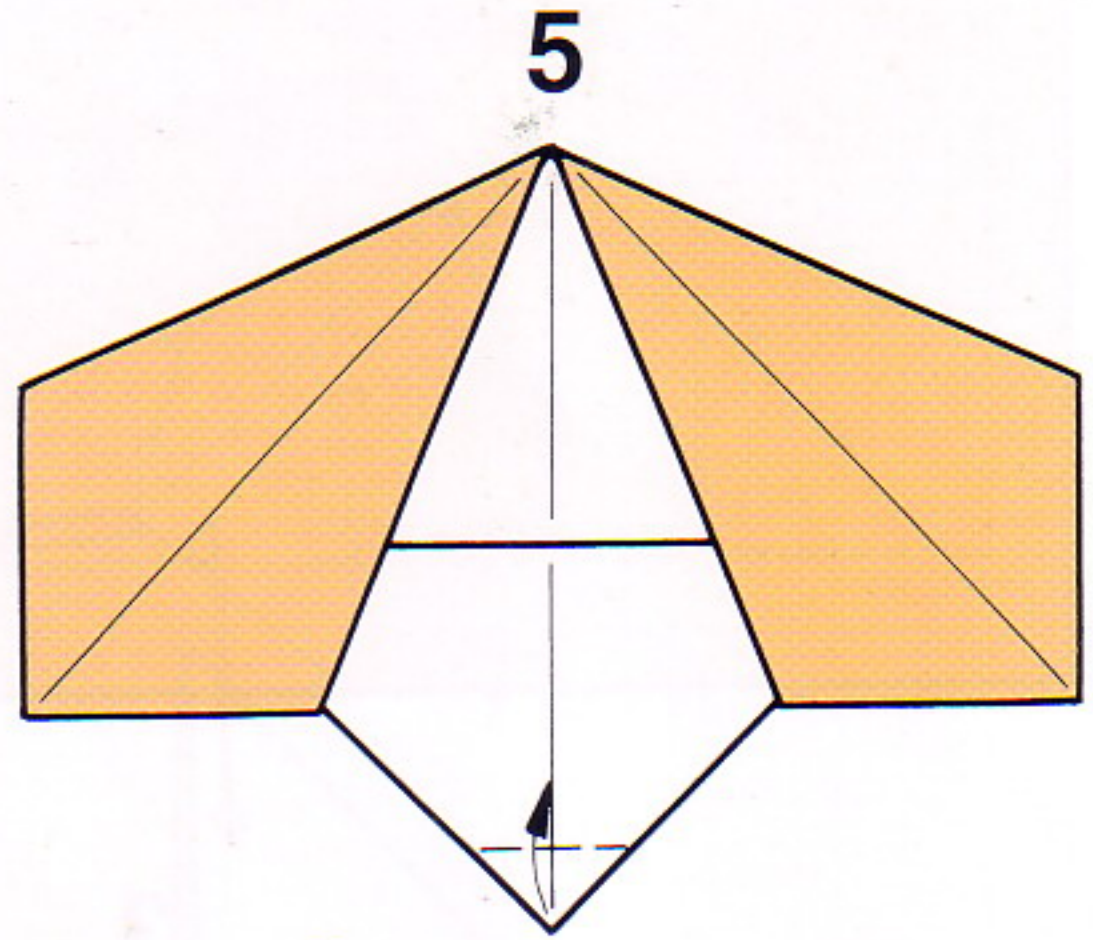
Make creases.





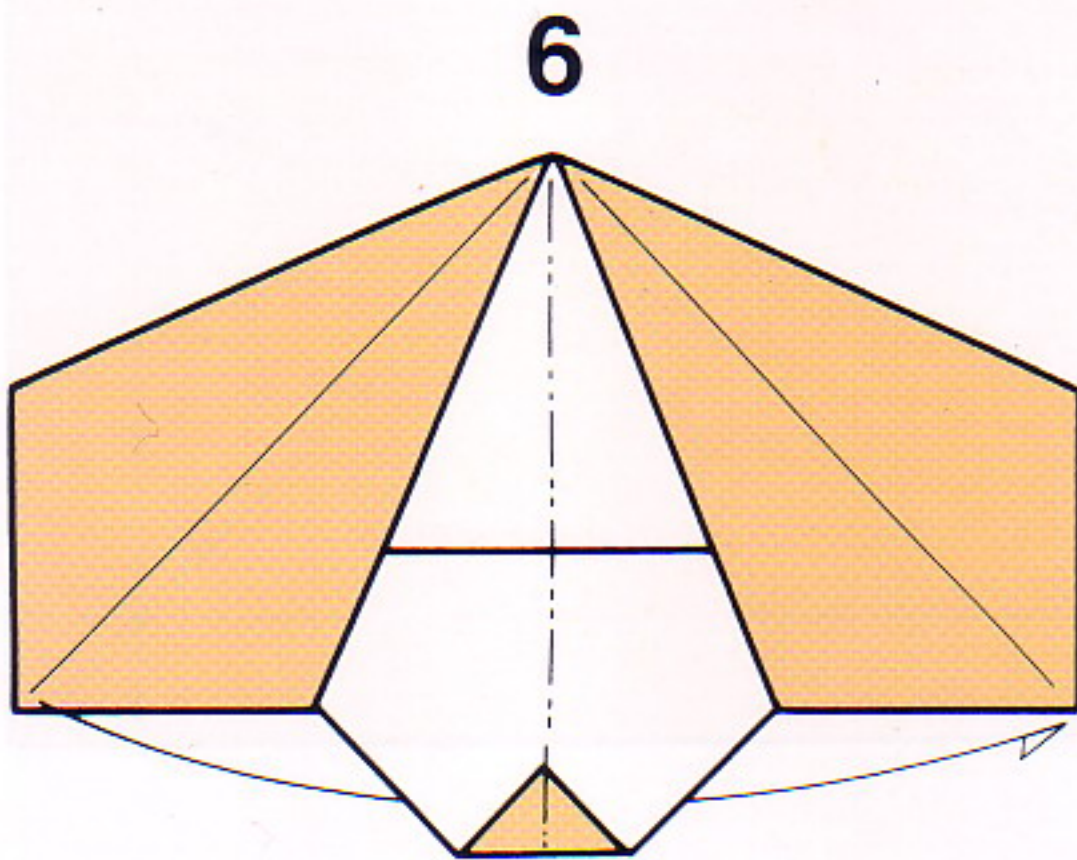
4

Open flaps out and flatten along the creases.



5

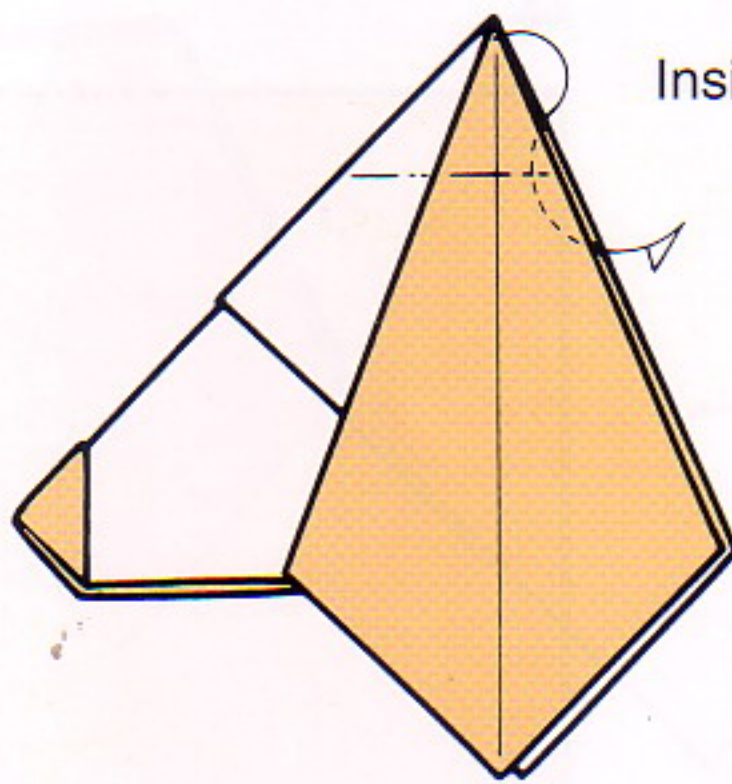
Fold flap up.



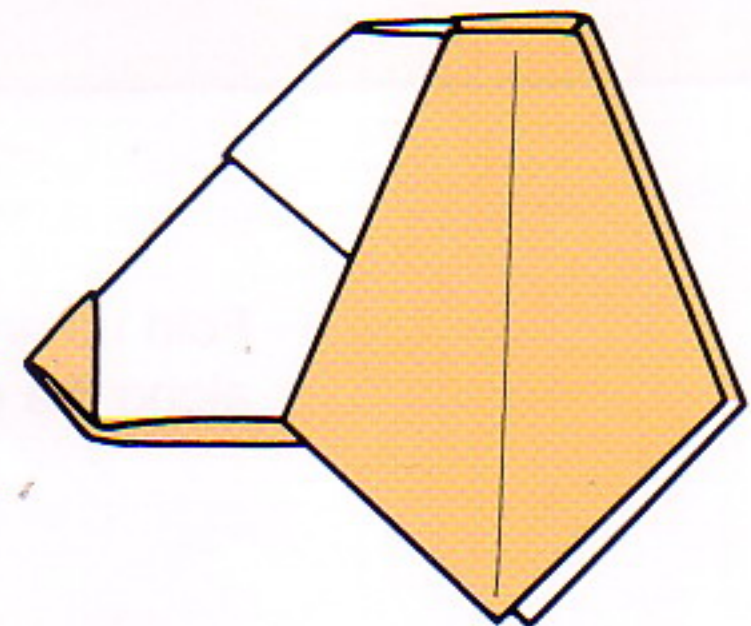
6

7

Inside Reverse Fold.

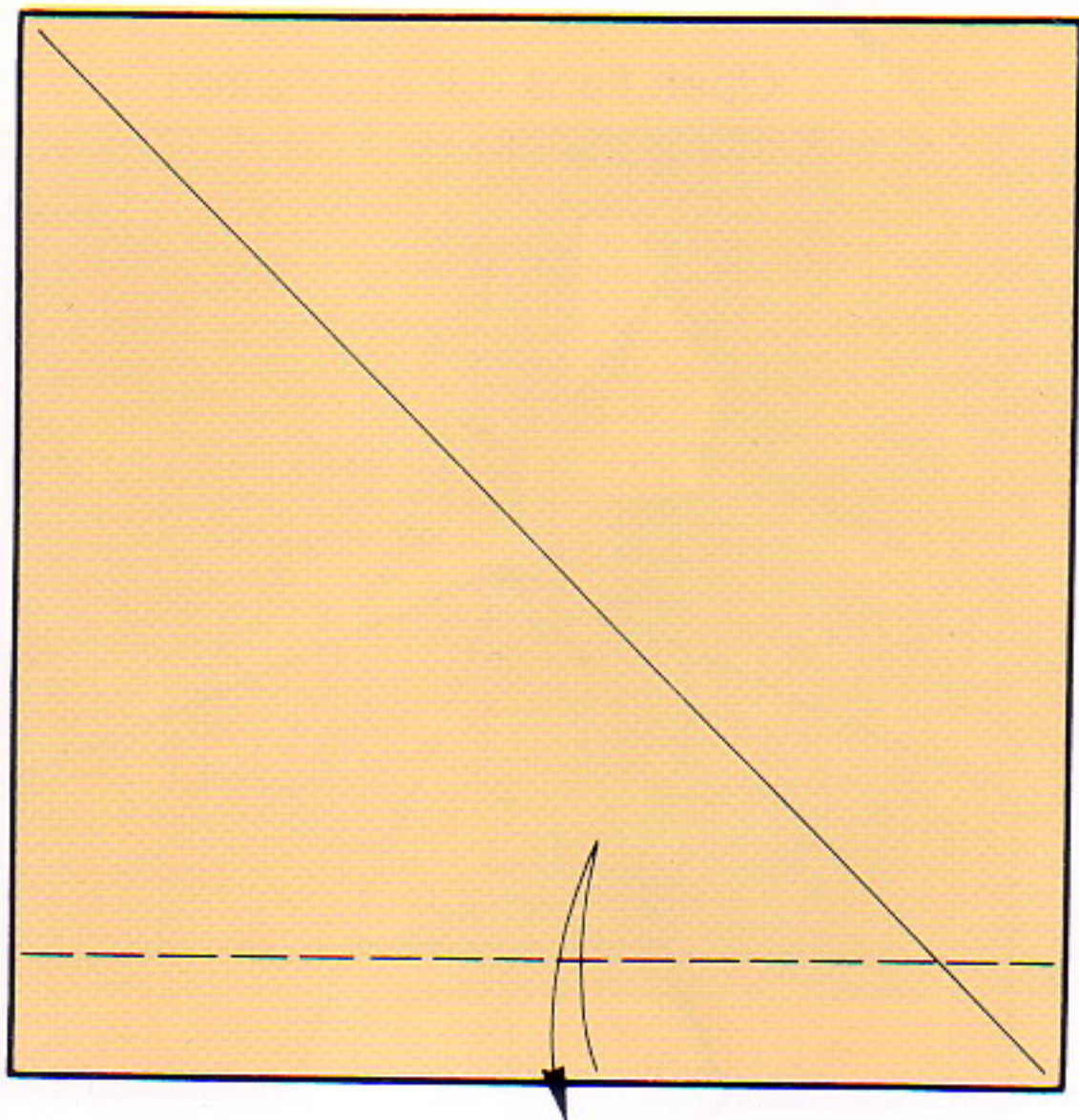


8



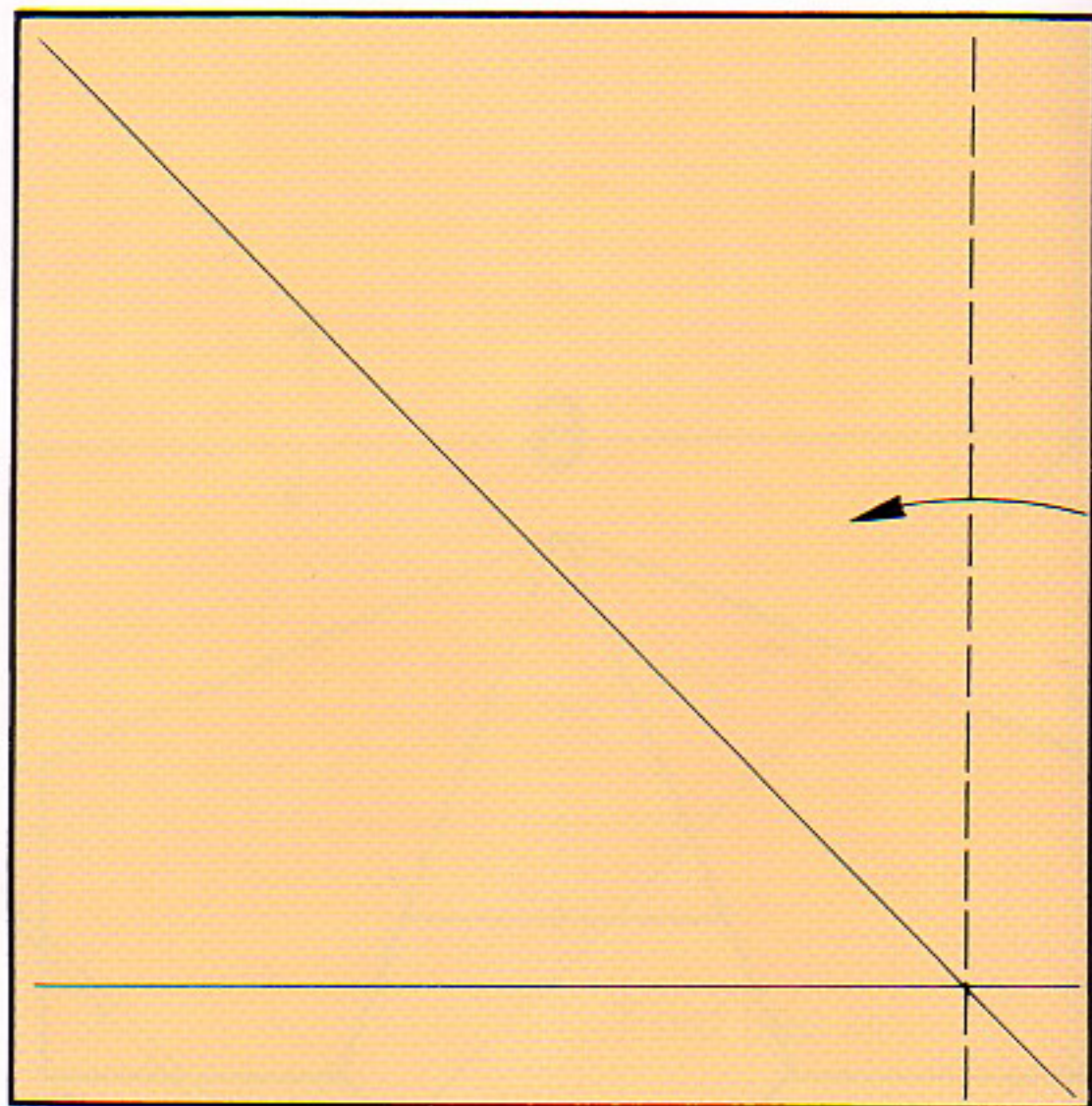
Head completed.



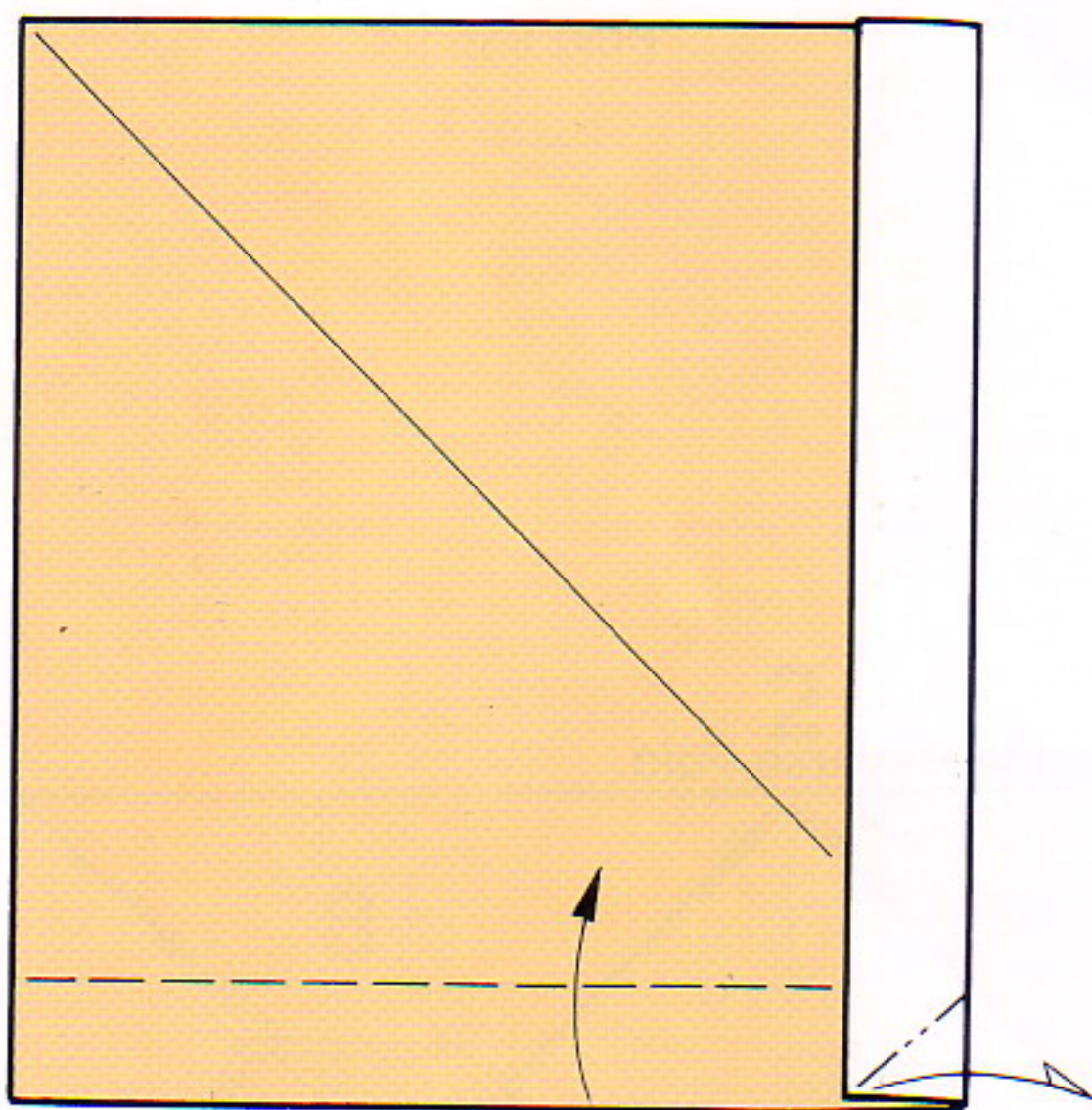


1

Make creases as shown.

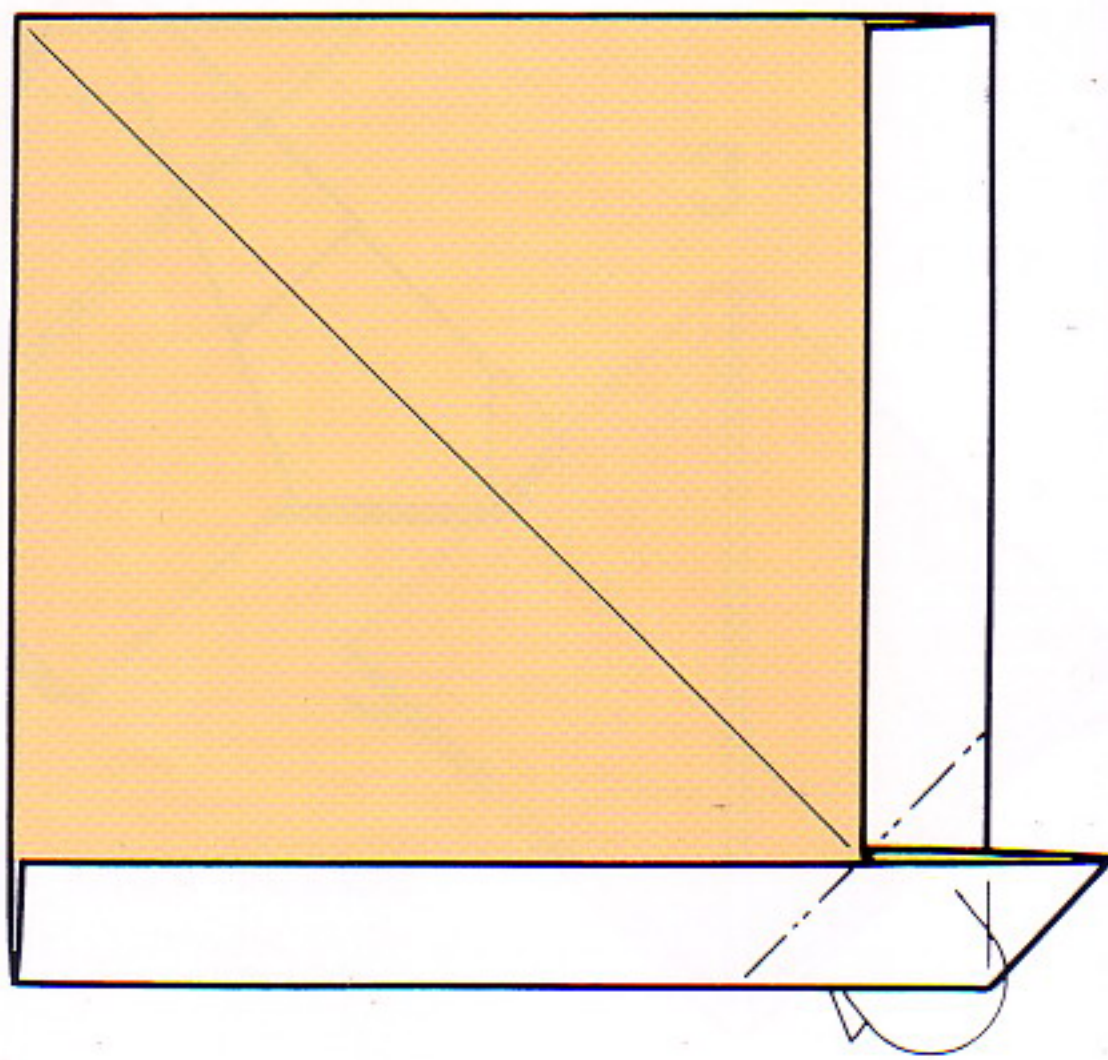


2



3

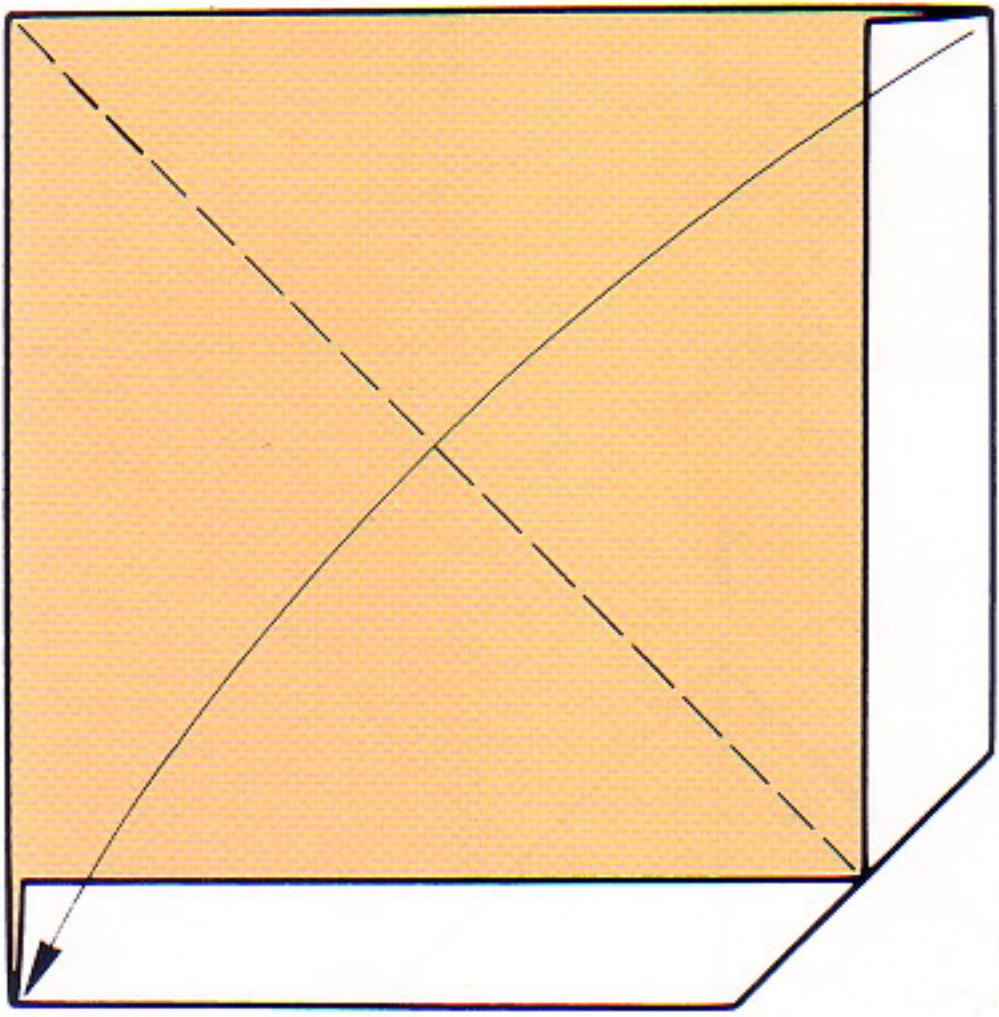
Fold up and flatten  
along the crease.



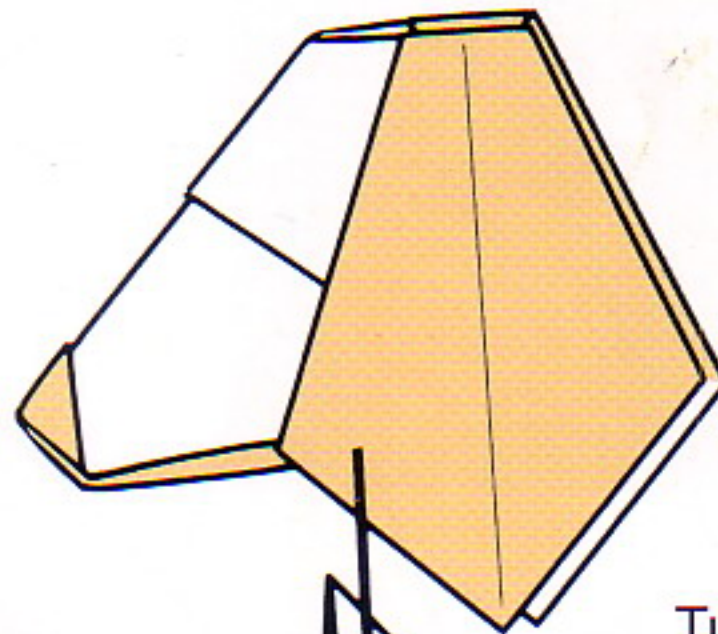
4



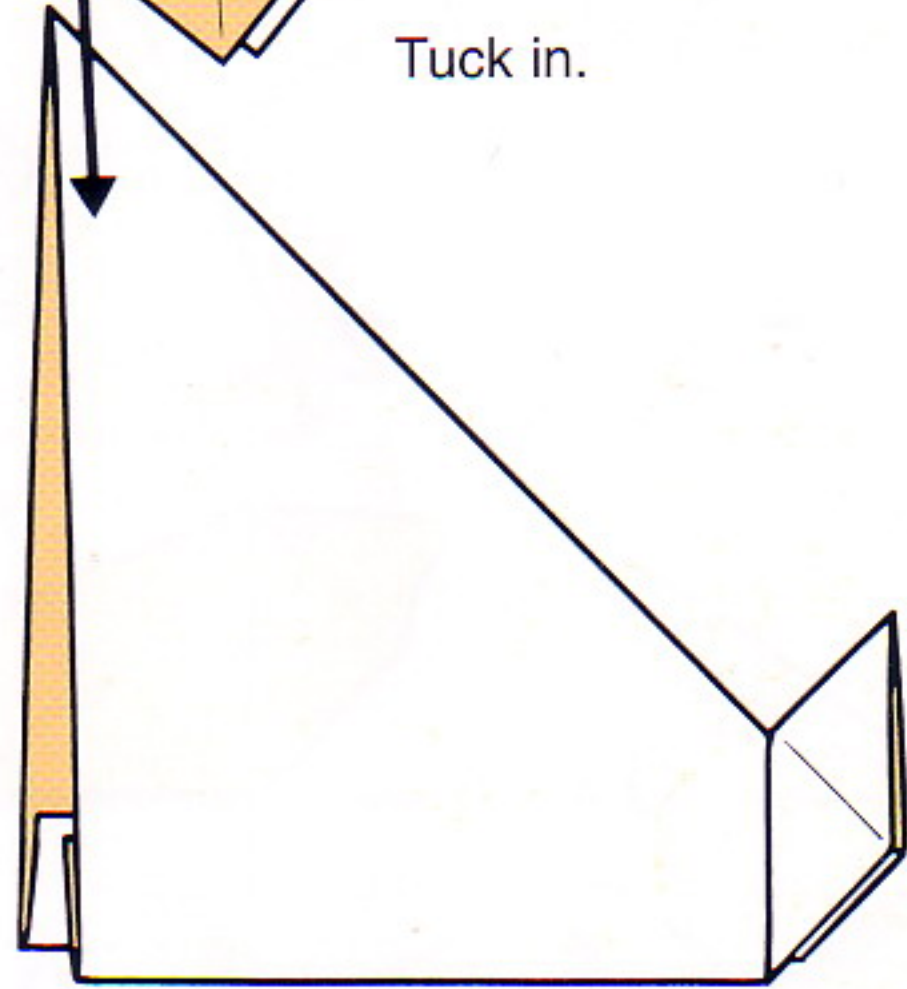
5



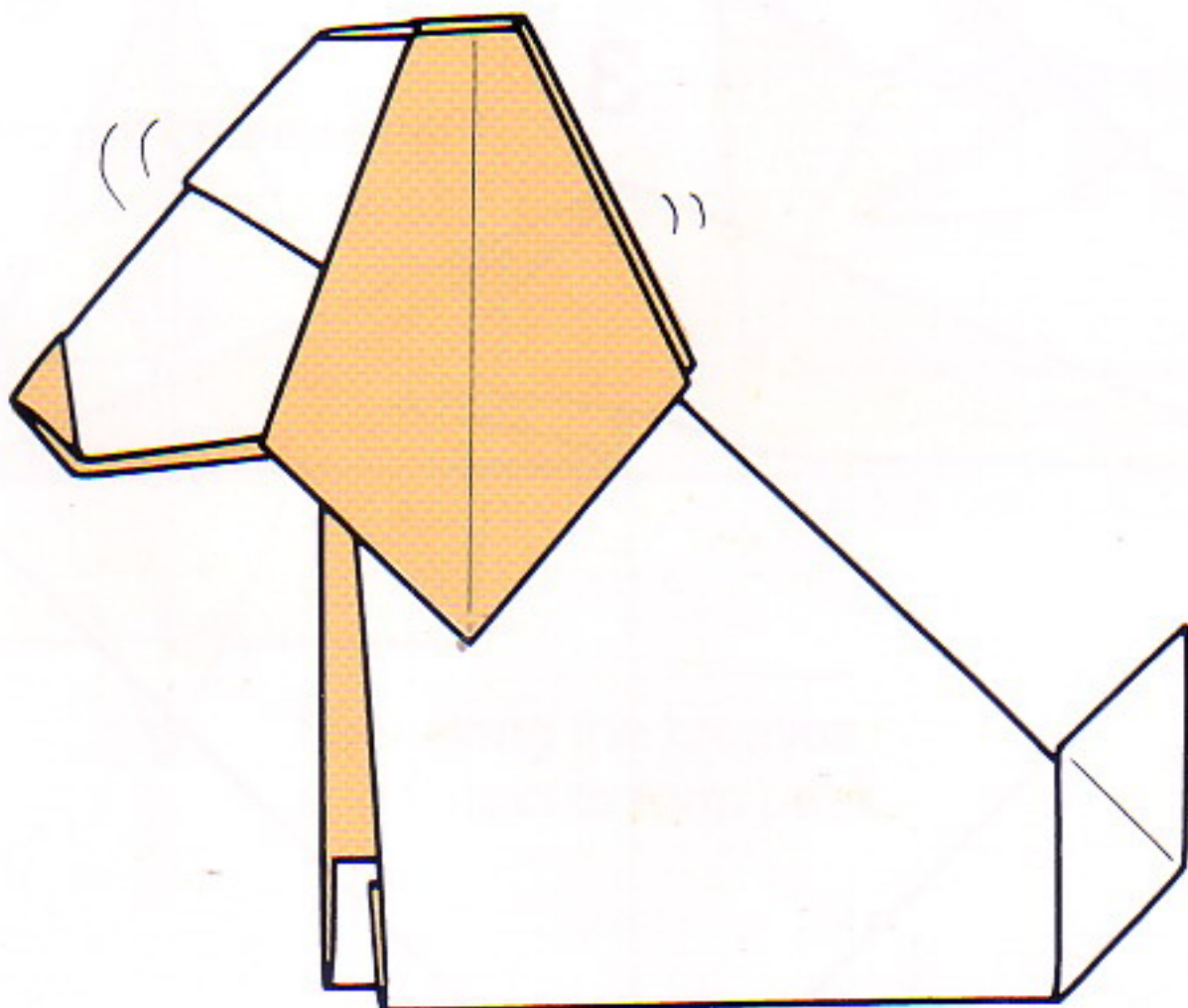
6



Tuck in.

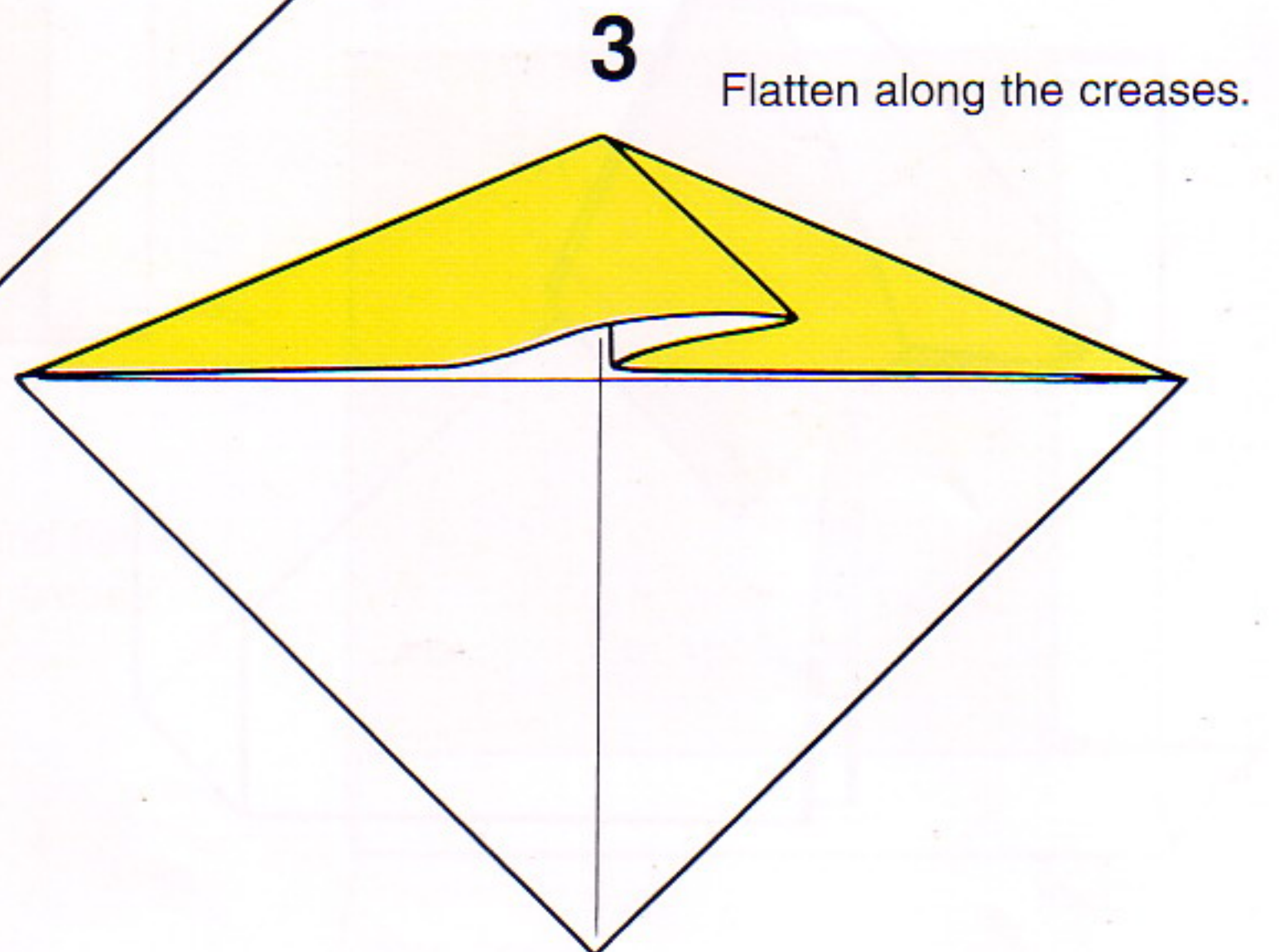
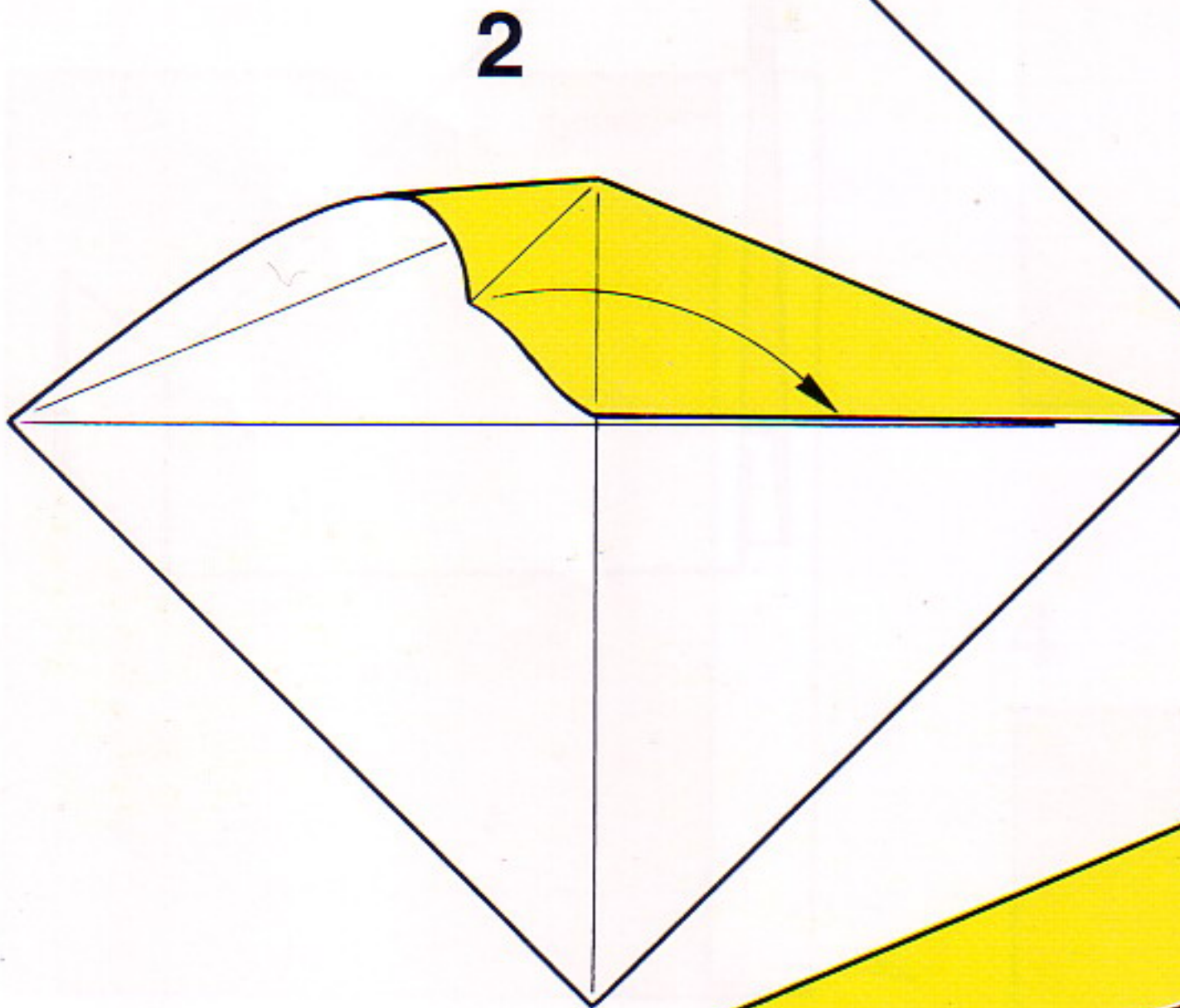
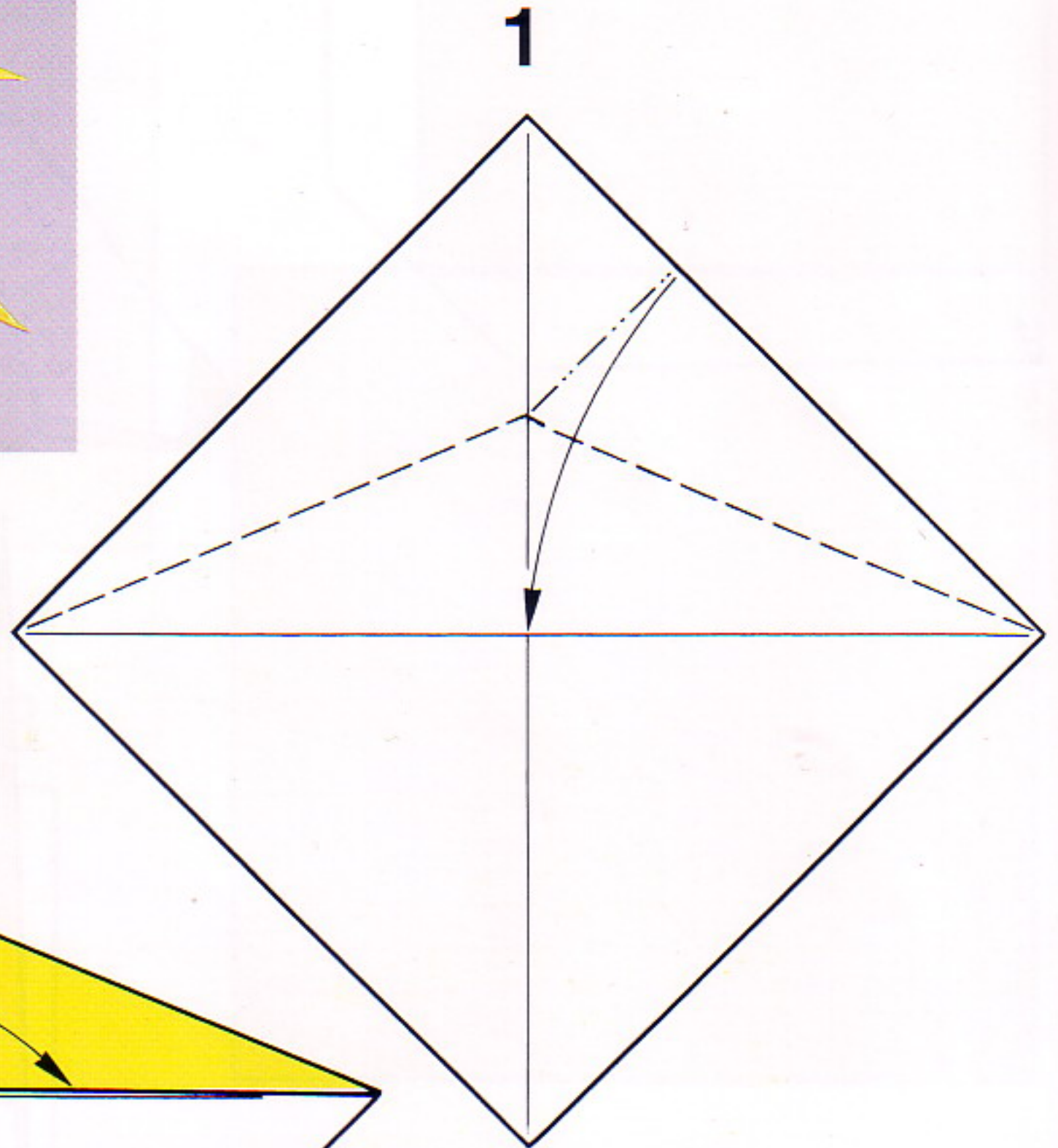
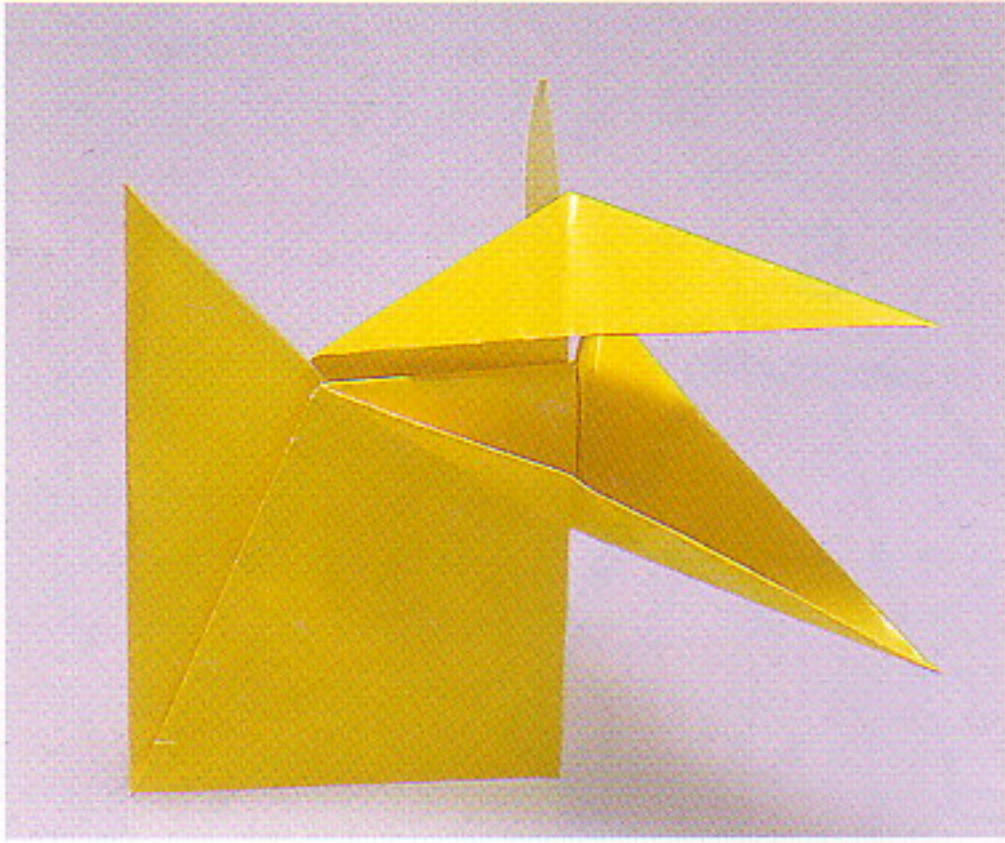


Completed.

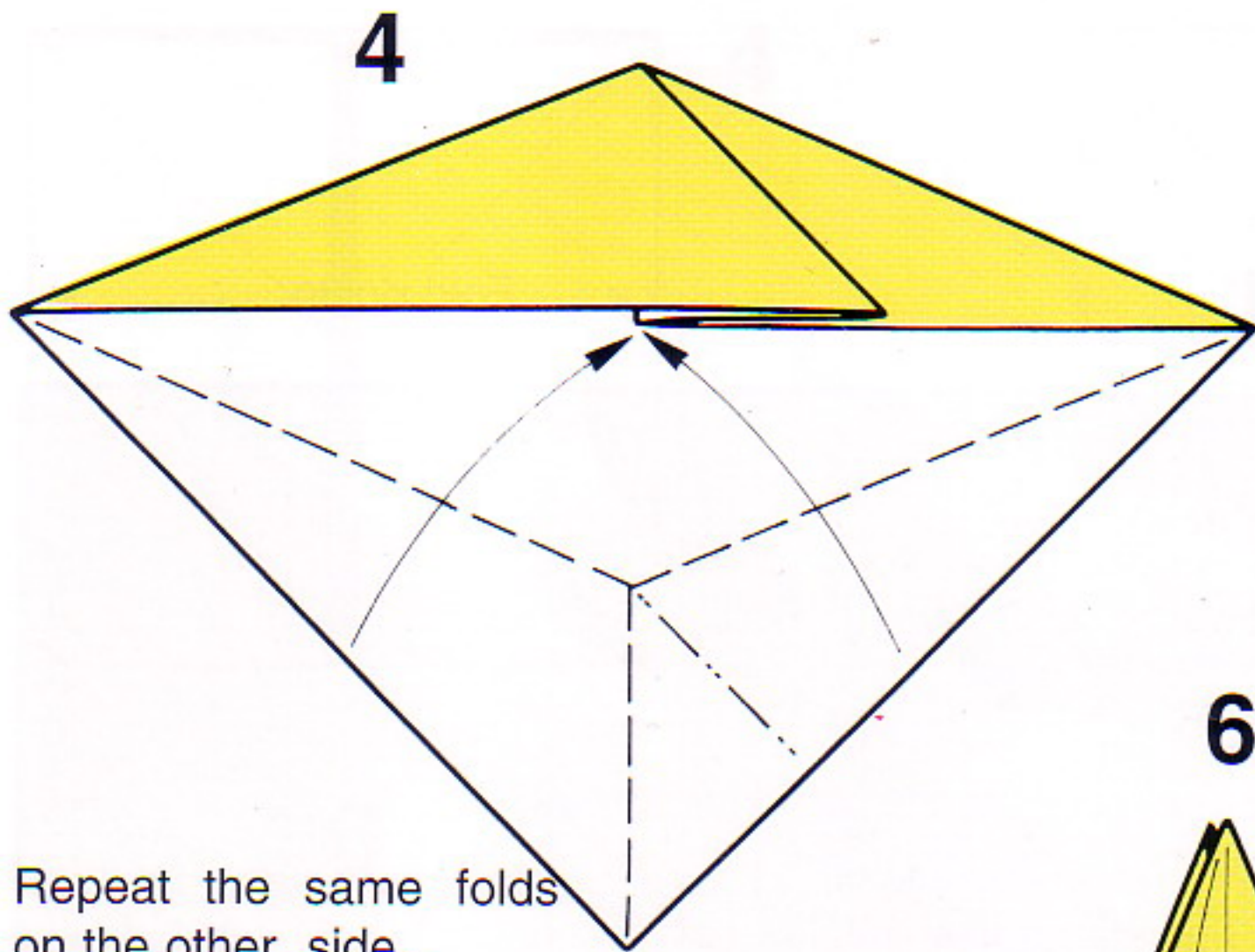




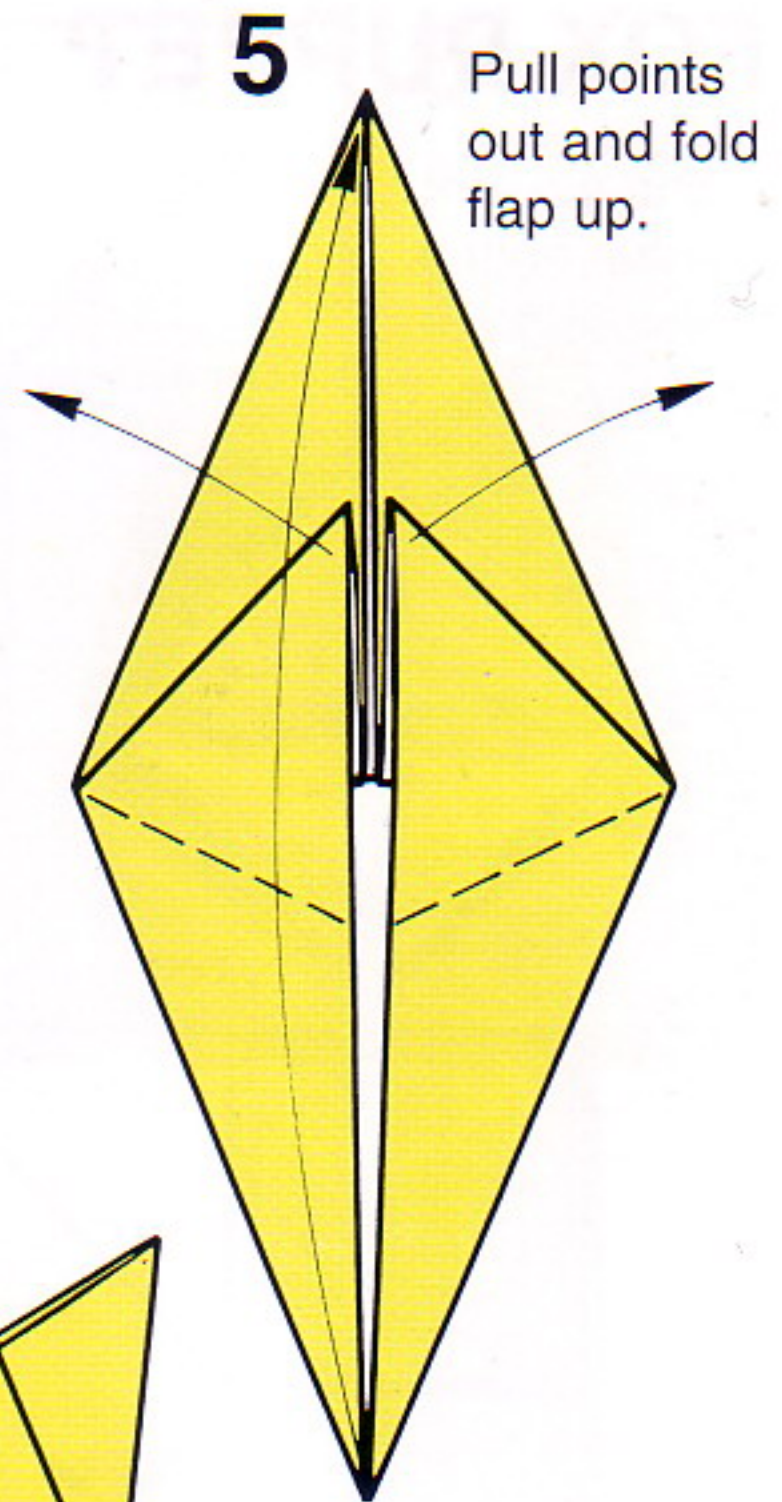
# SINGING BIRD



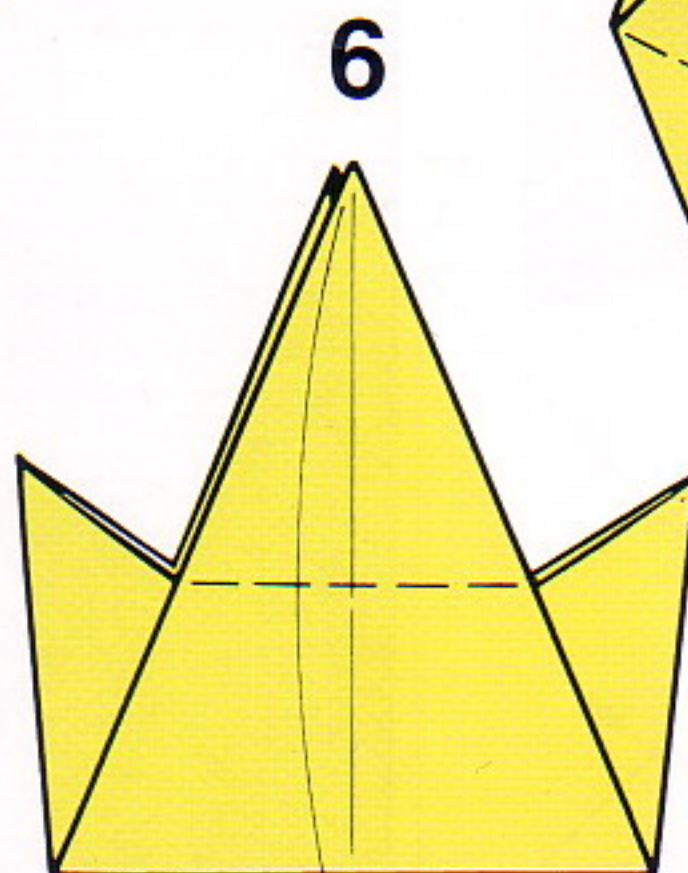




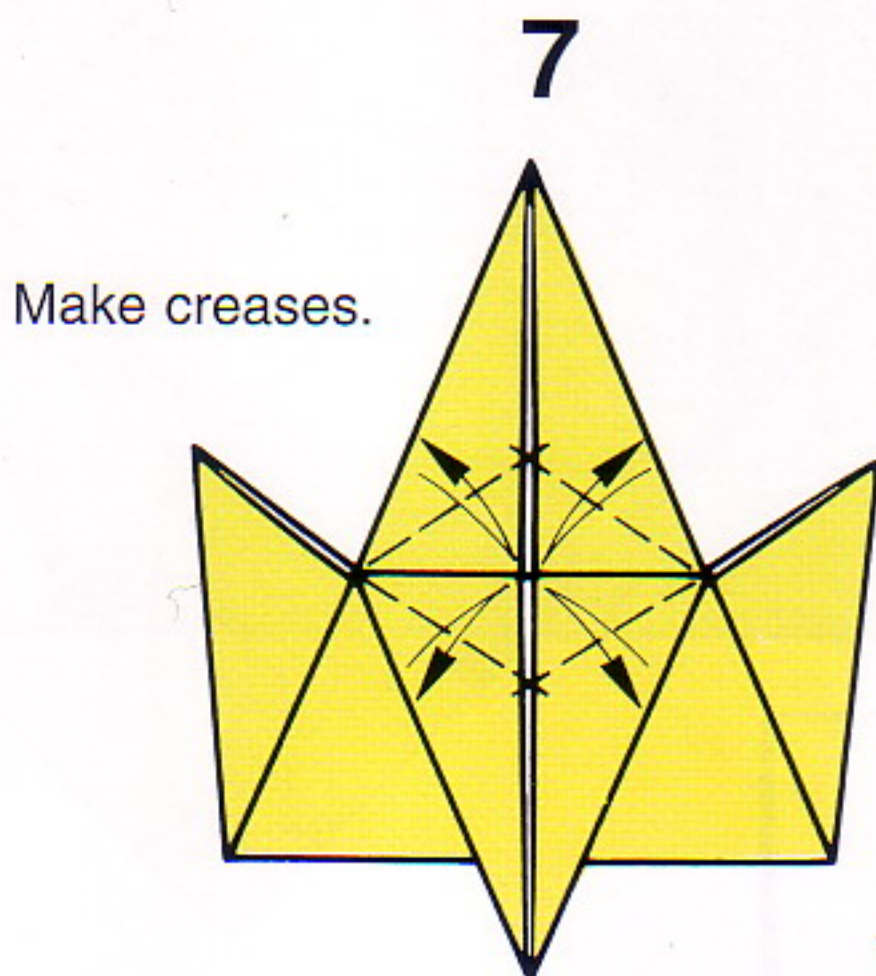
Repeat the same folds on the other side.



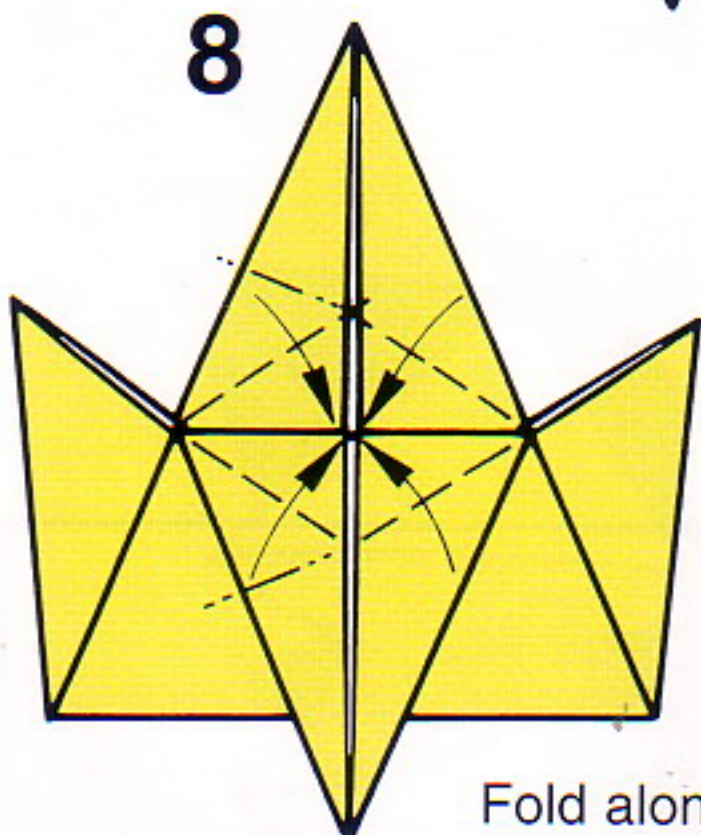
Pull points out and fold flap up.



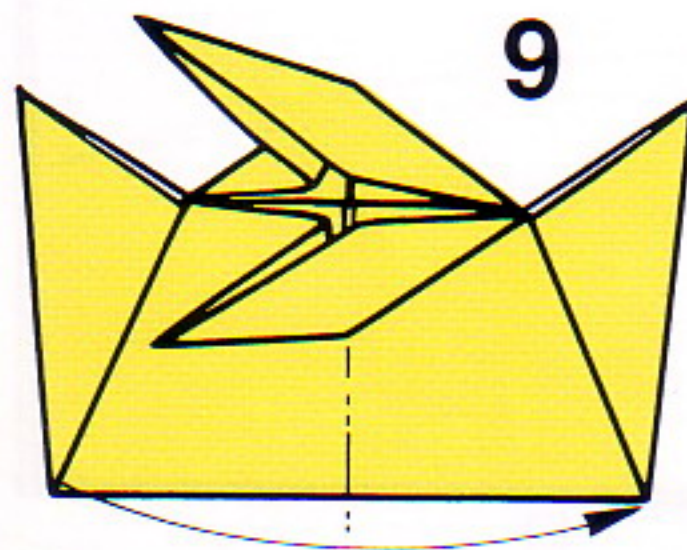
Fold flap down.



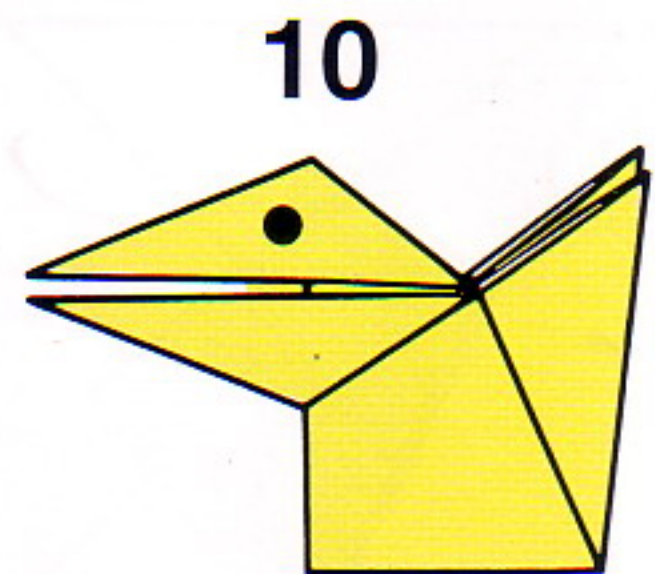
Make creases.



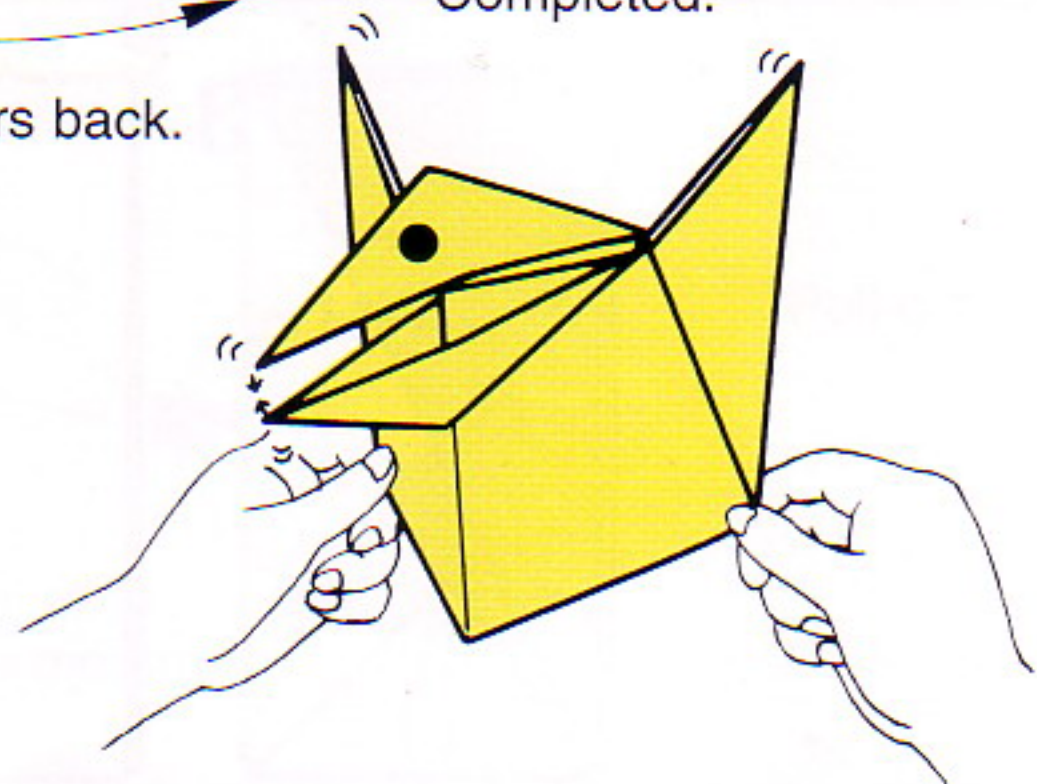
Fold along the creases and flatten to form peak.



Fold corners back.

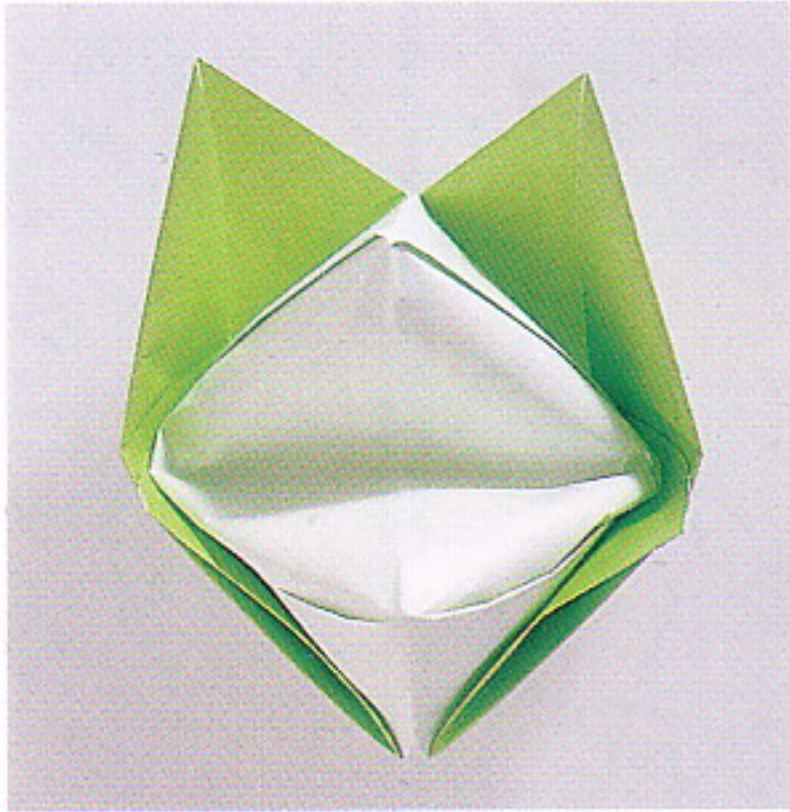


Completed.



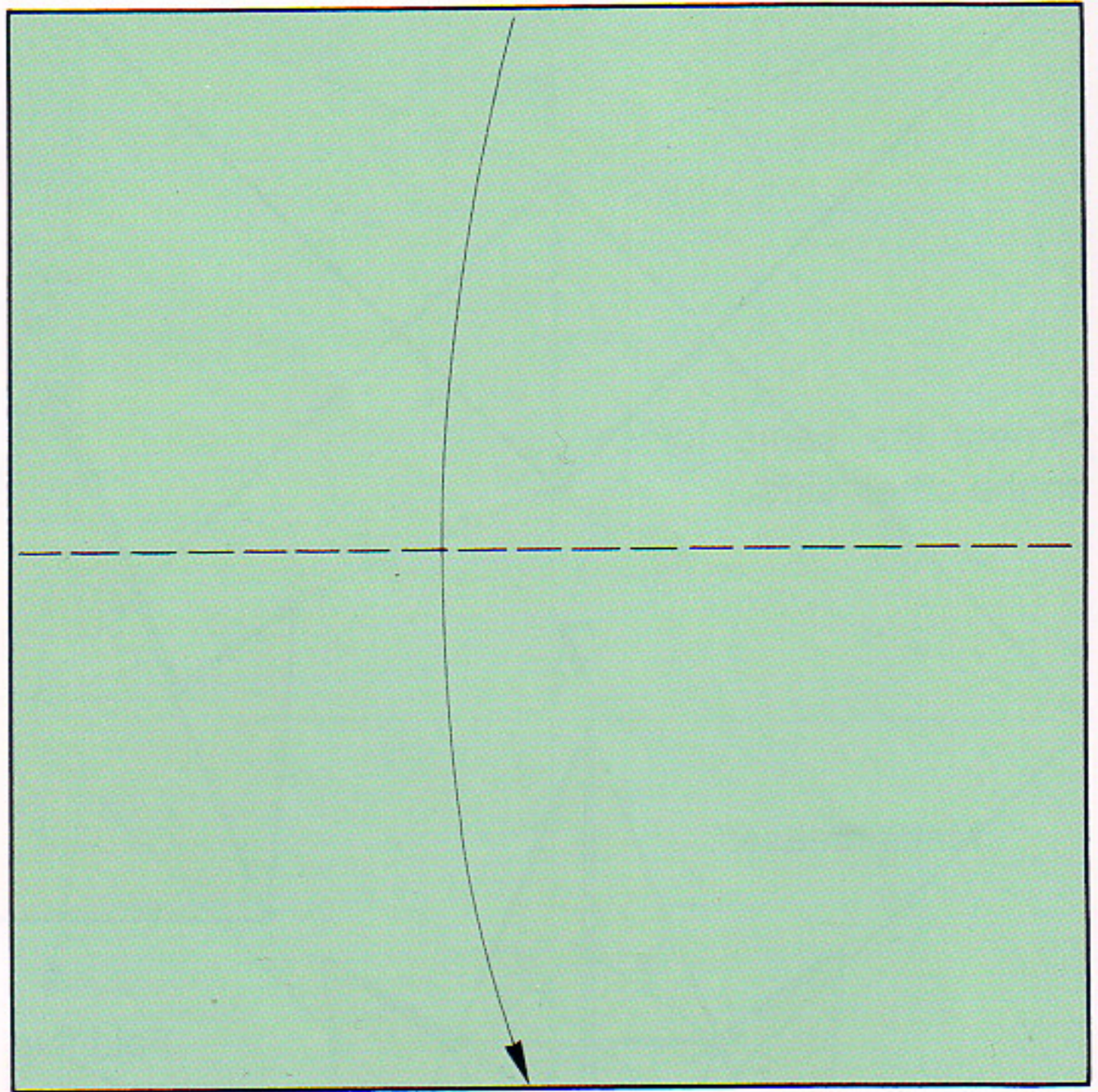


# FOX PUPPET

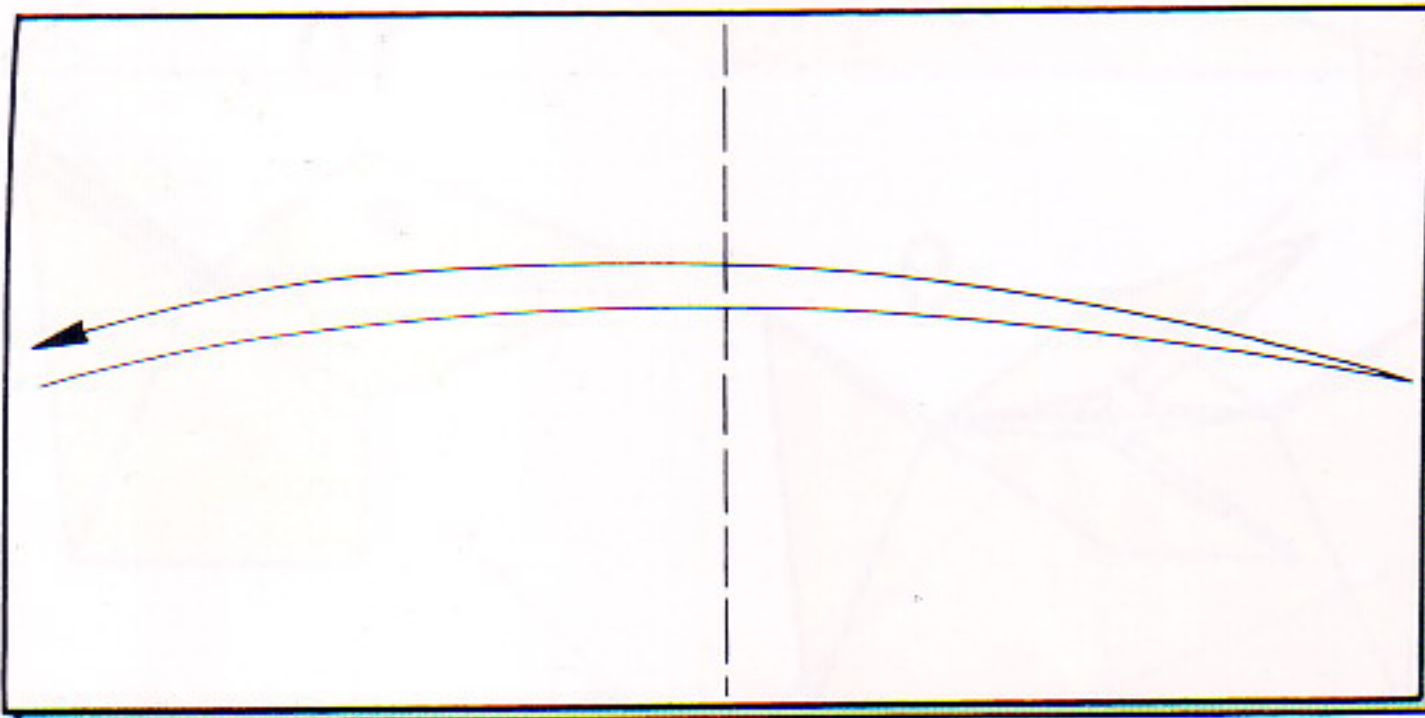


1

Fold down.



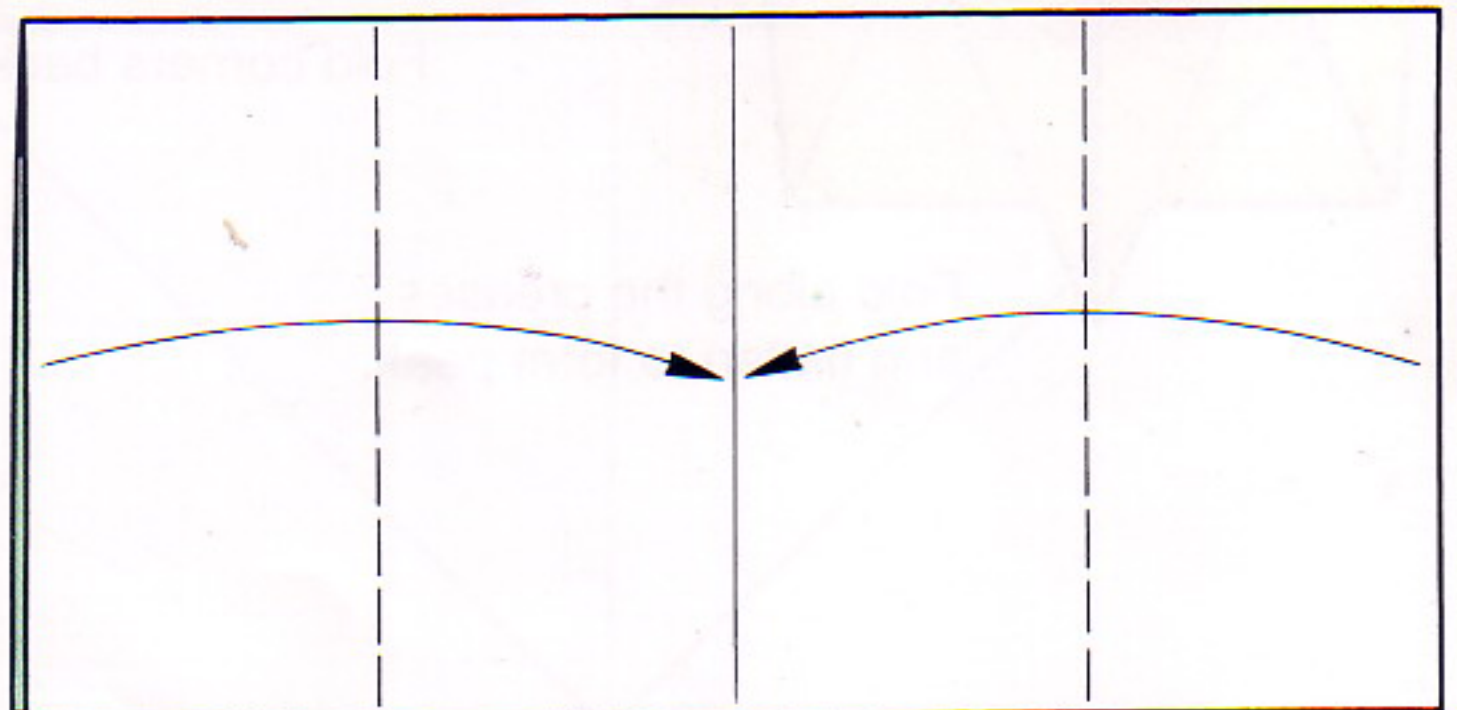
2



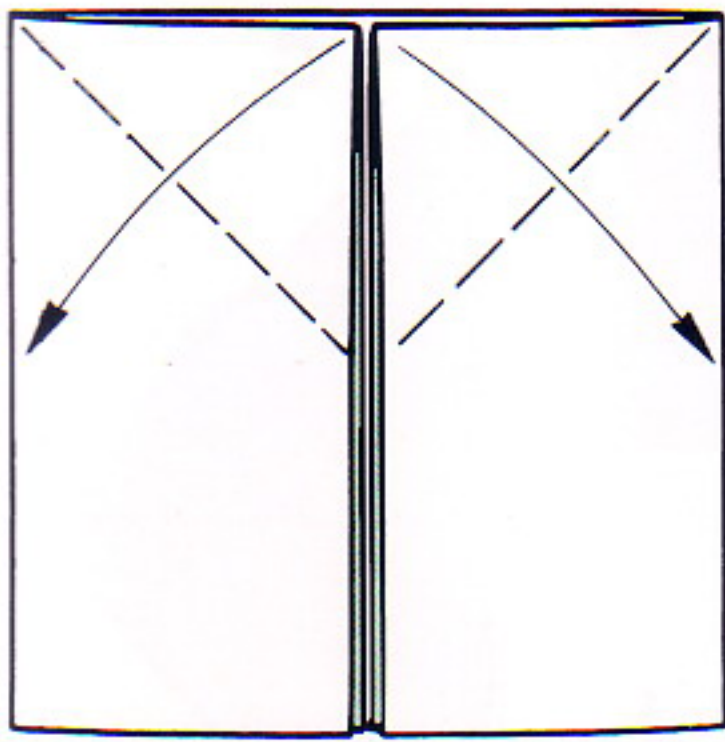
Make a crease.

3

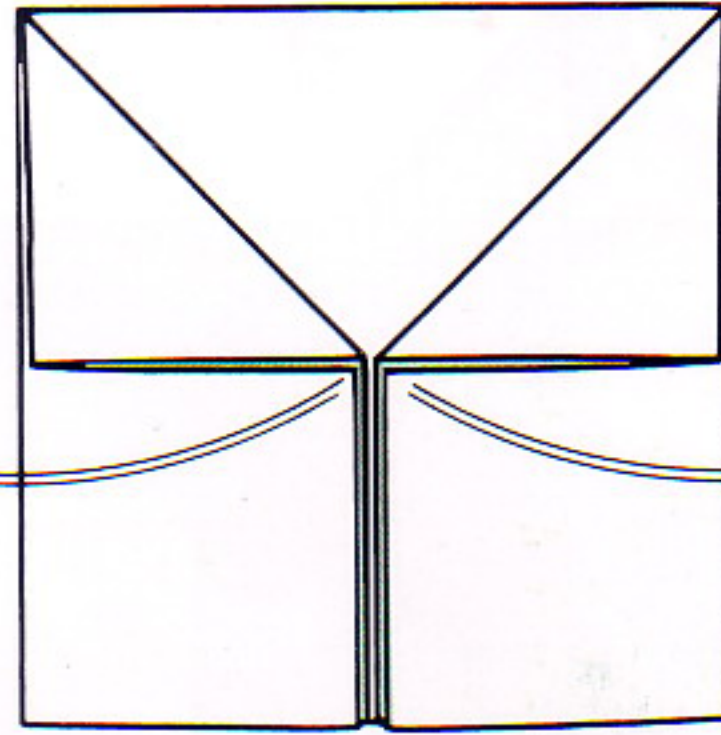
Fold in.





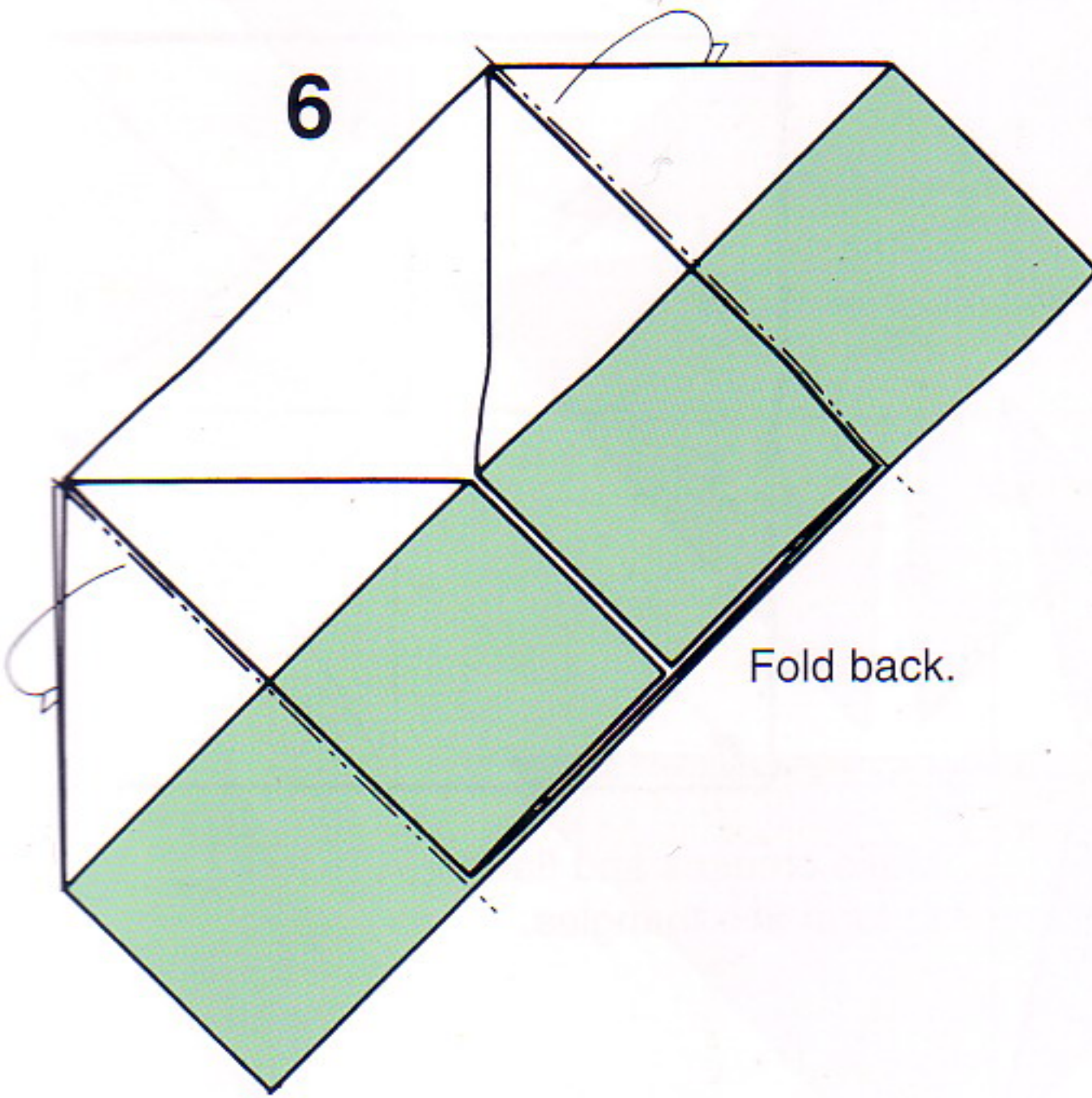


4



5

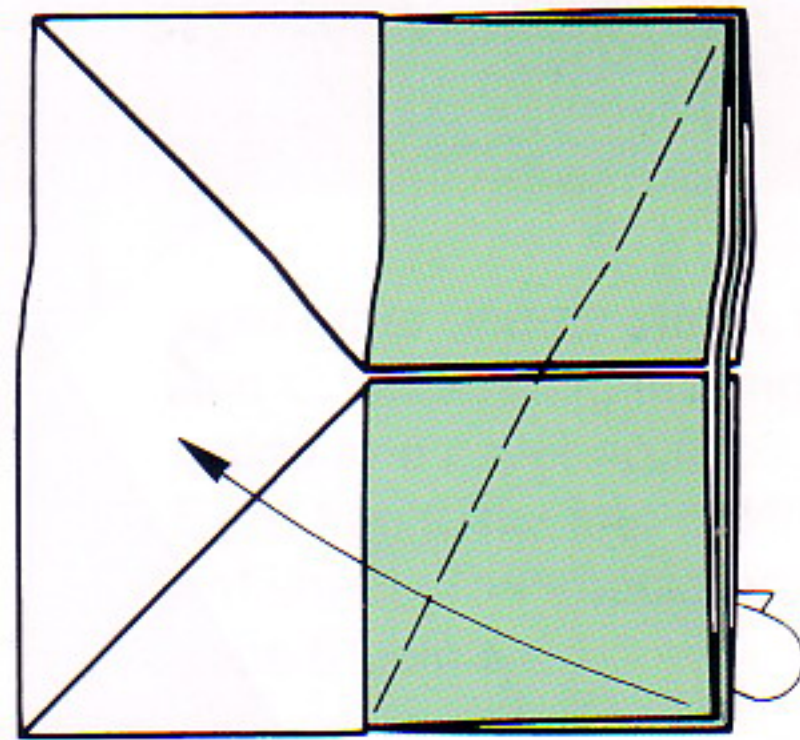
Pull out and  
flatten along  
the creases.



6

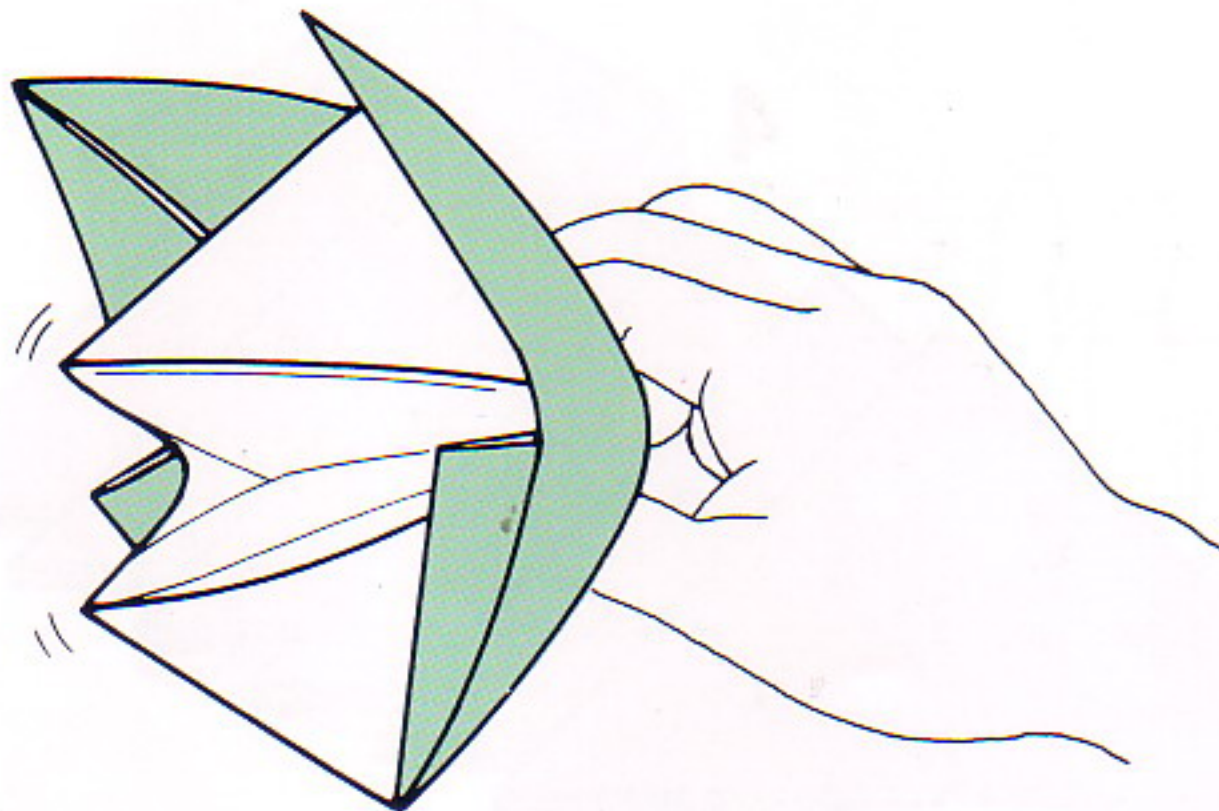
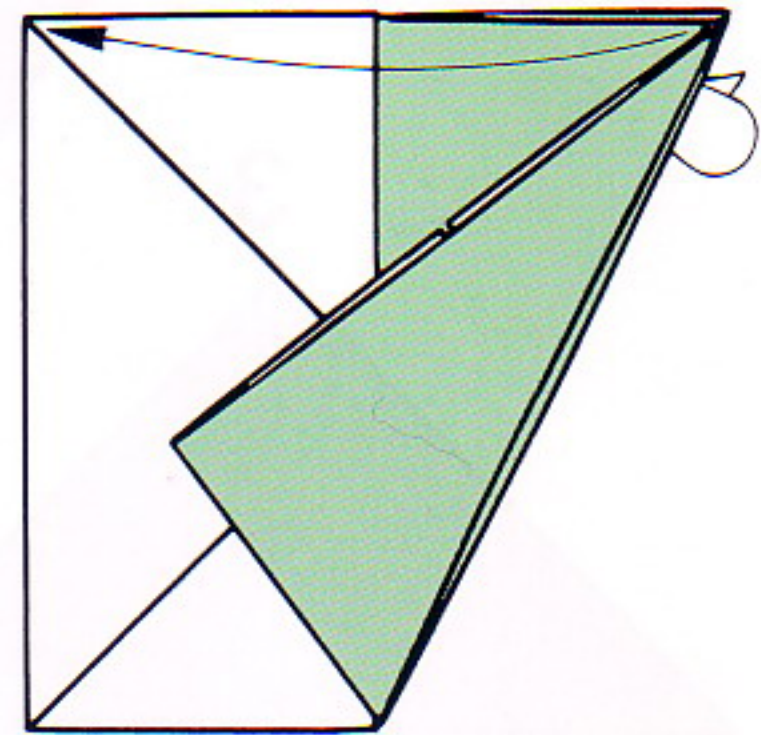
Fold back.

7



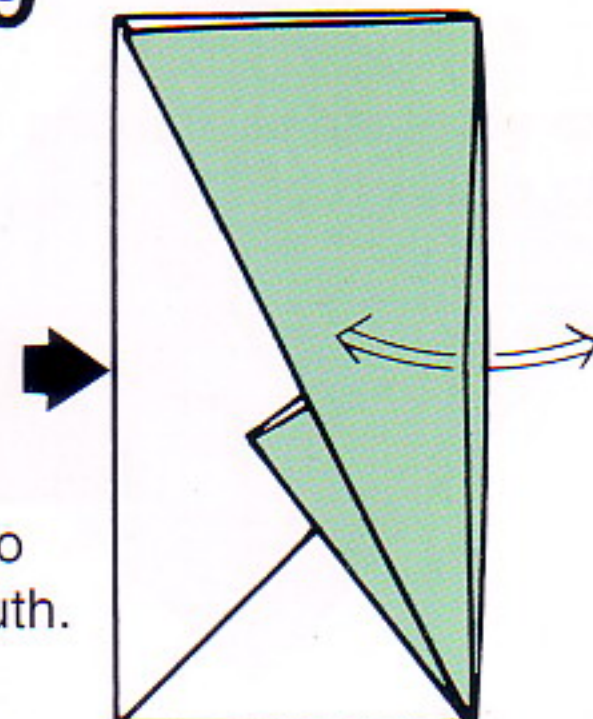
Fold in.

8



Completed.

9

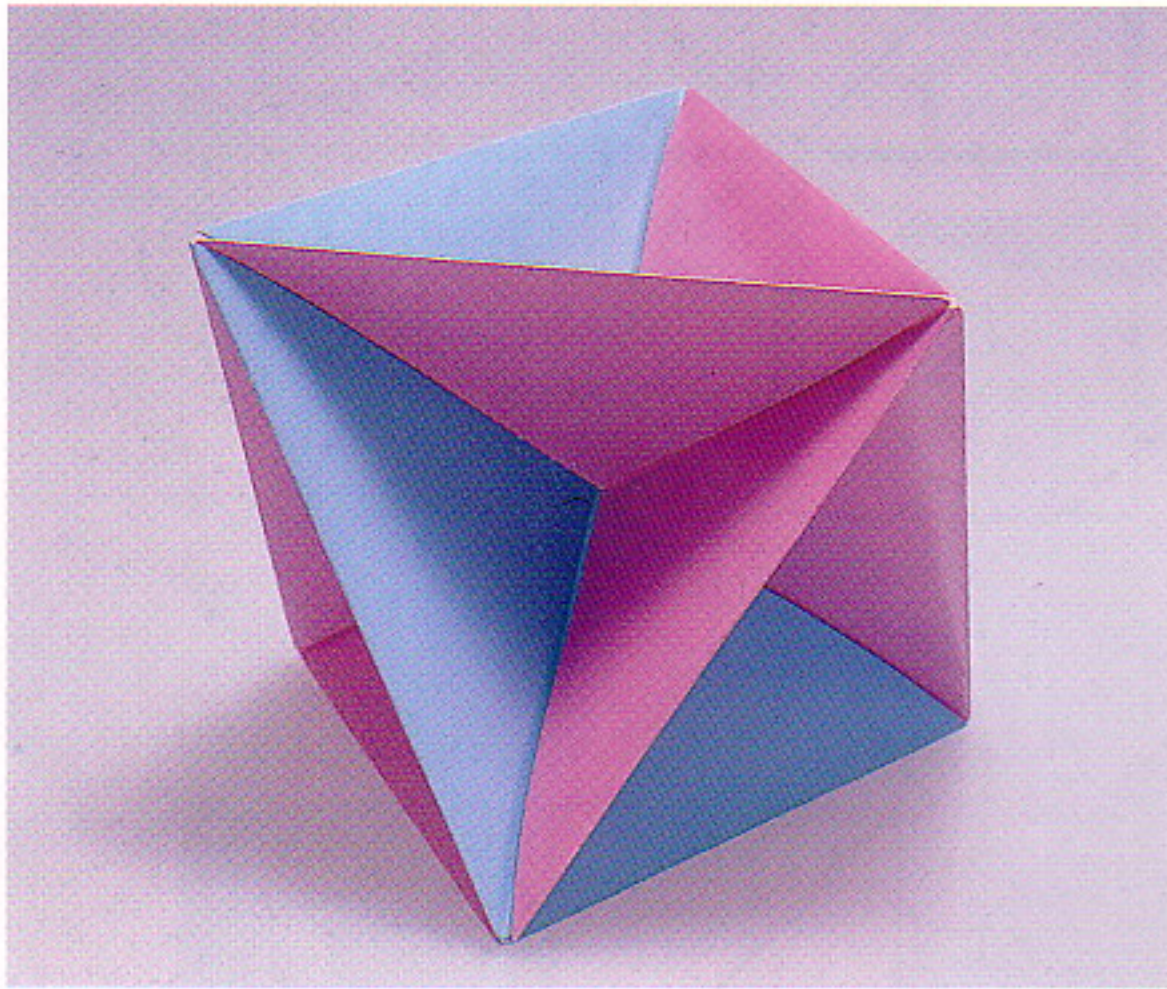


Pull out.

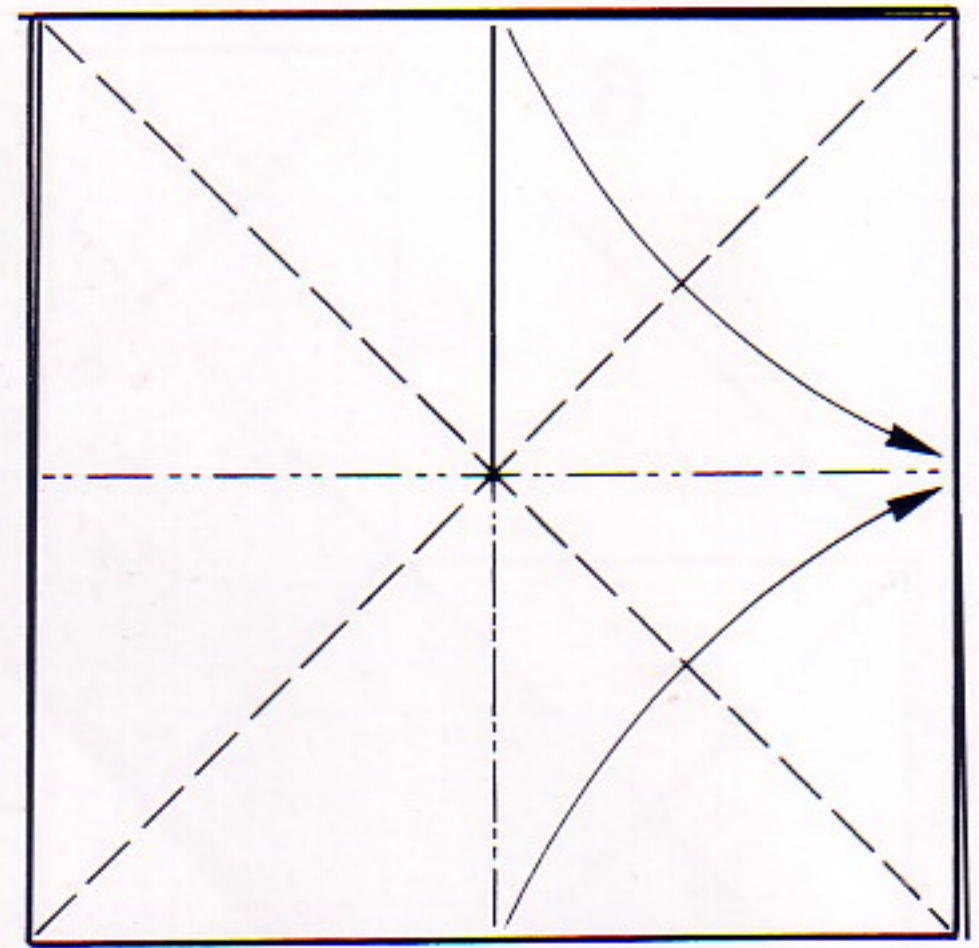
Push in to  
form mouth.



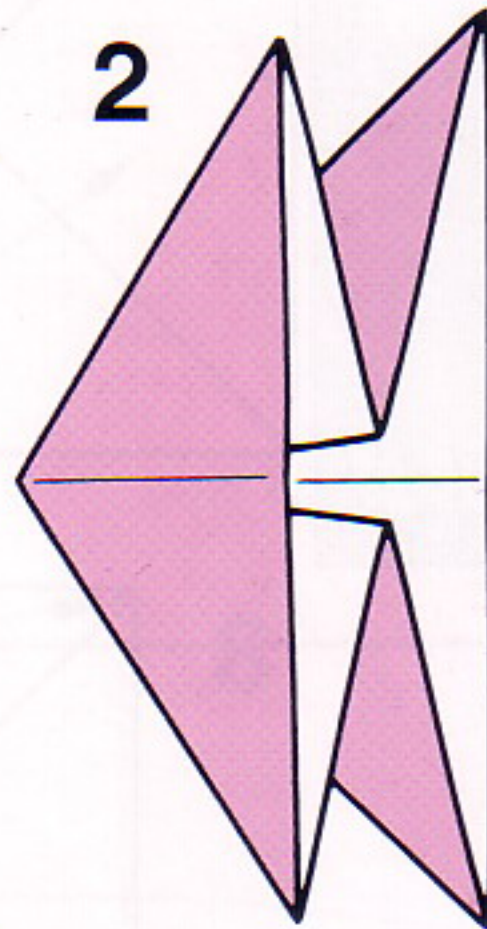
# BLOW TOP



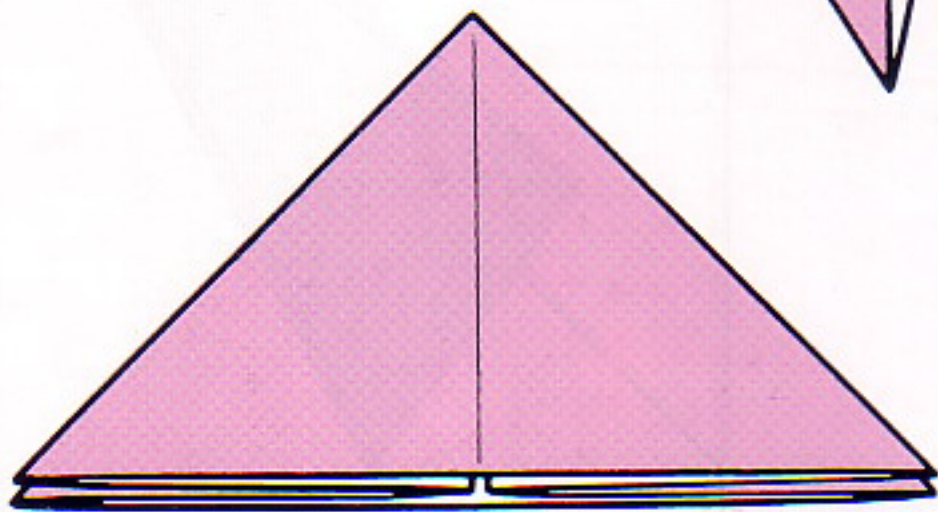
1



2

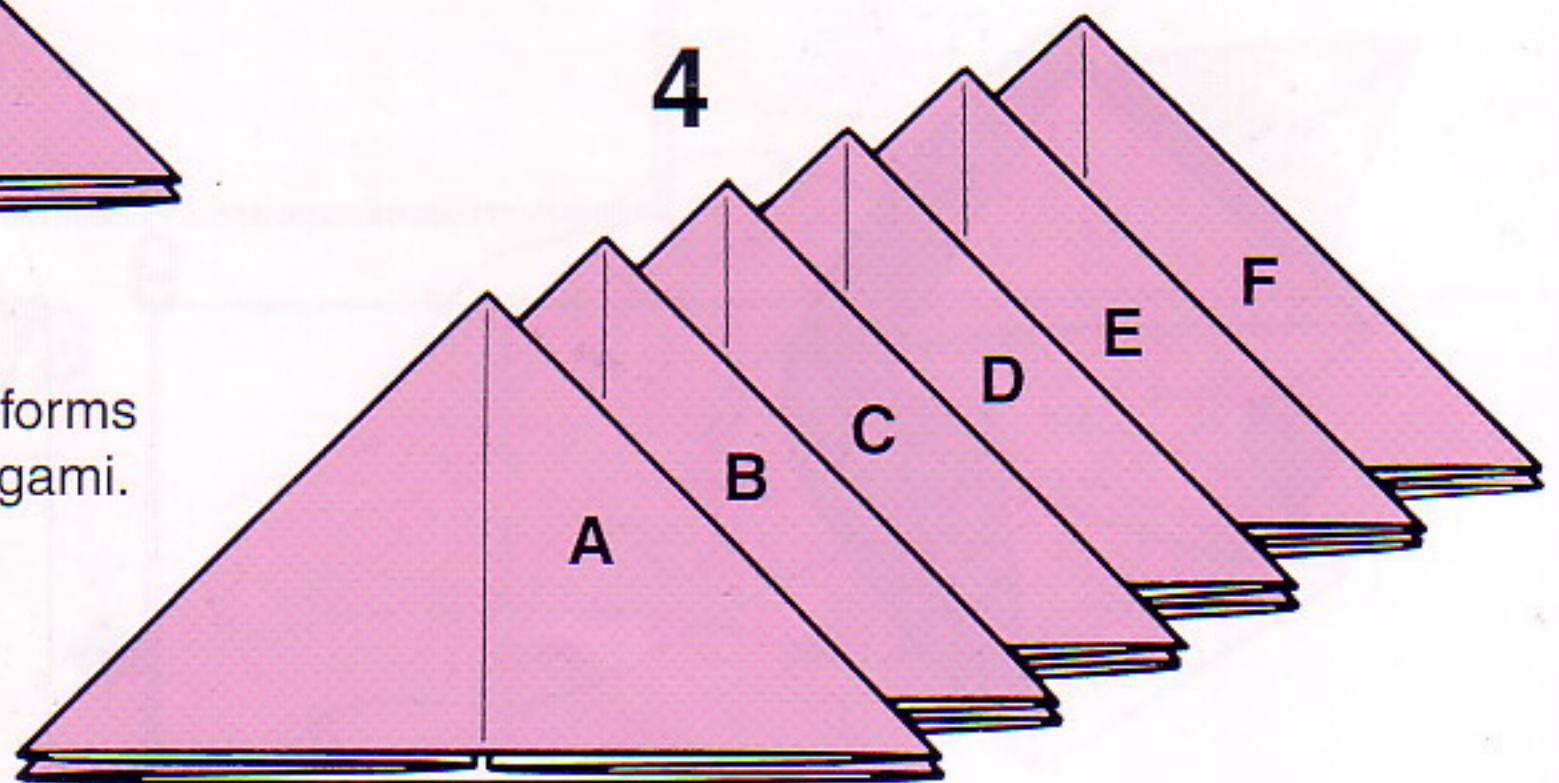


3

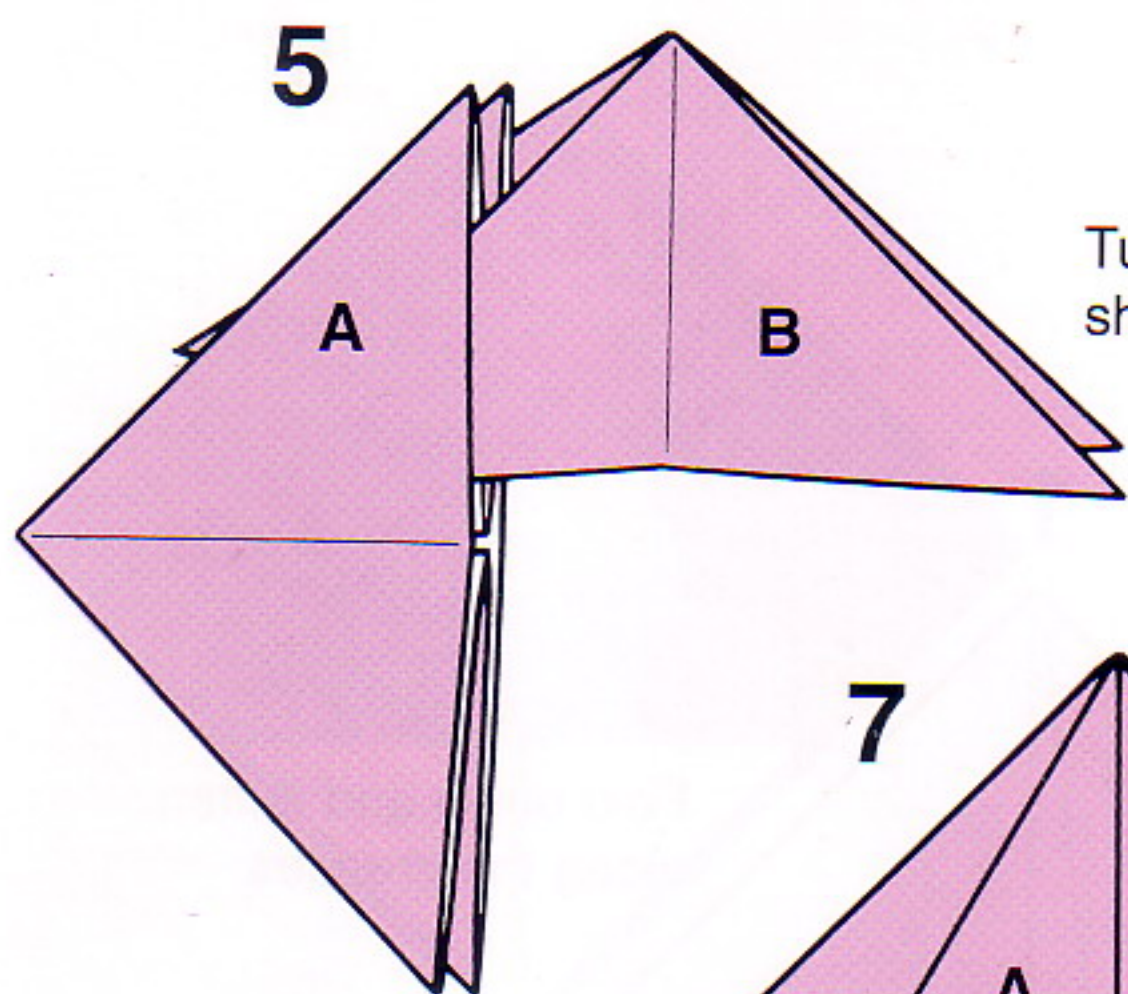


Make six of identical forms using 6 sheets of Origami.

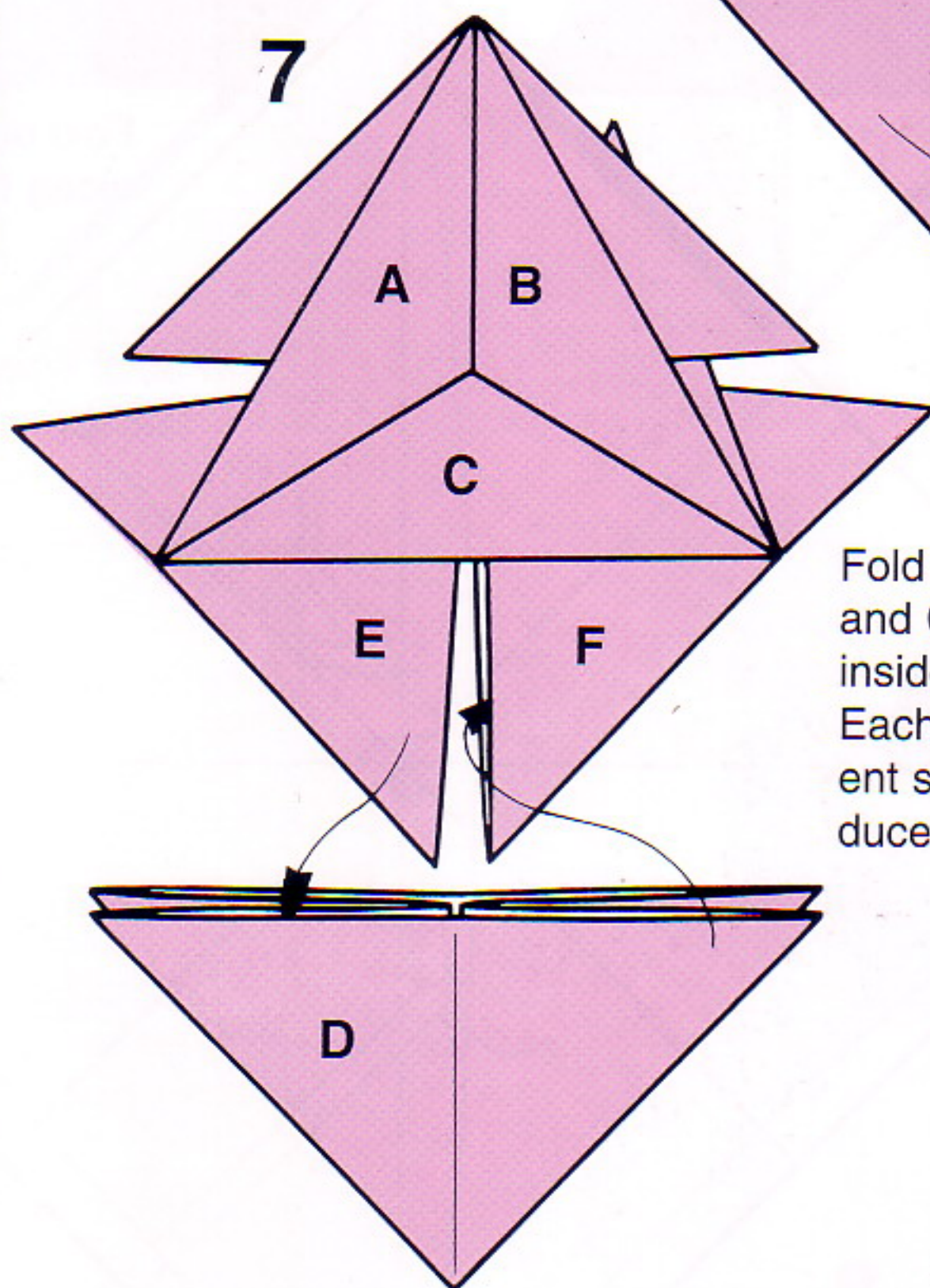
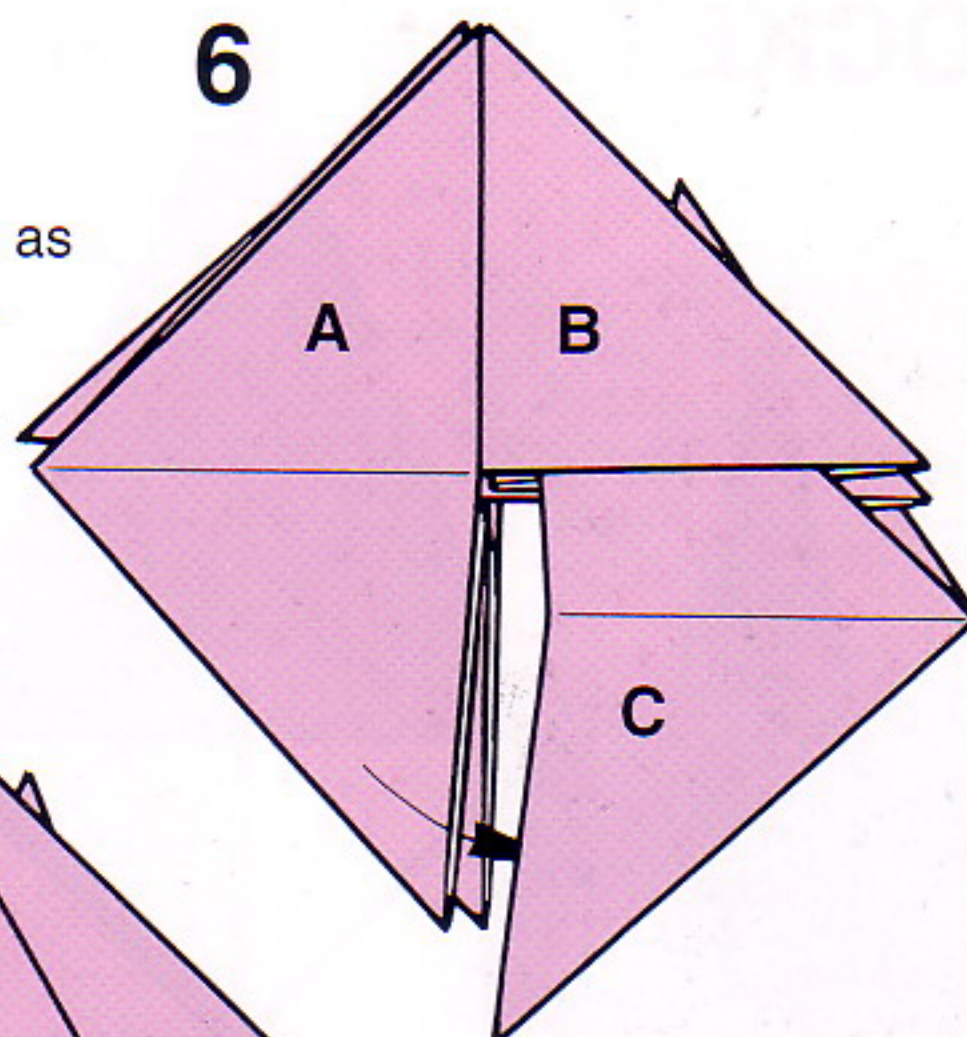
4



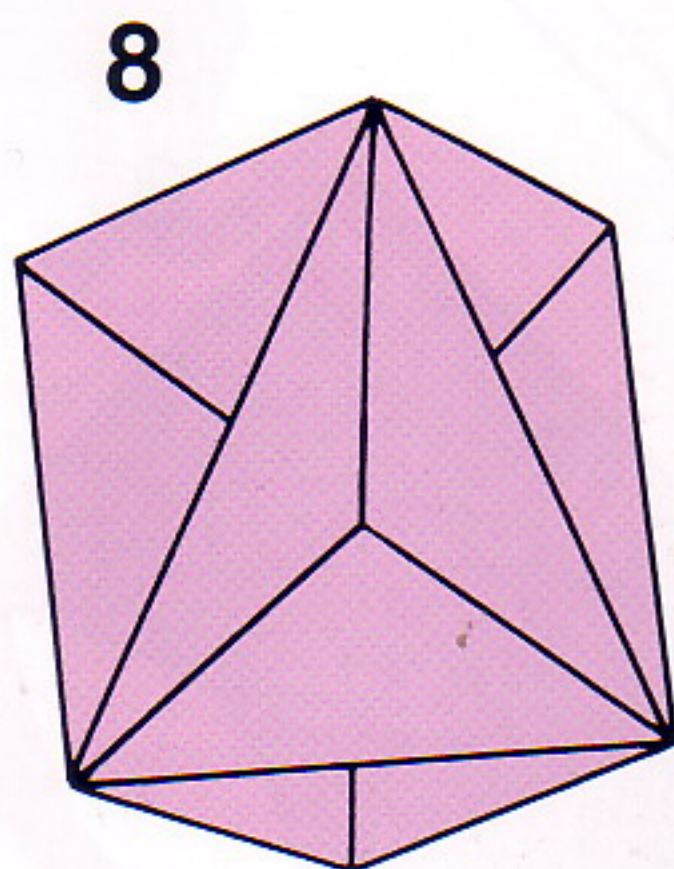




Tuck in as shown.

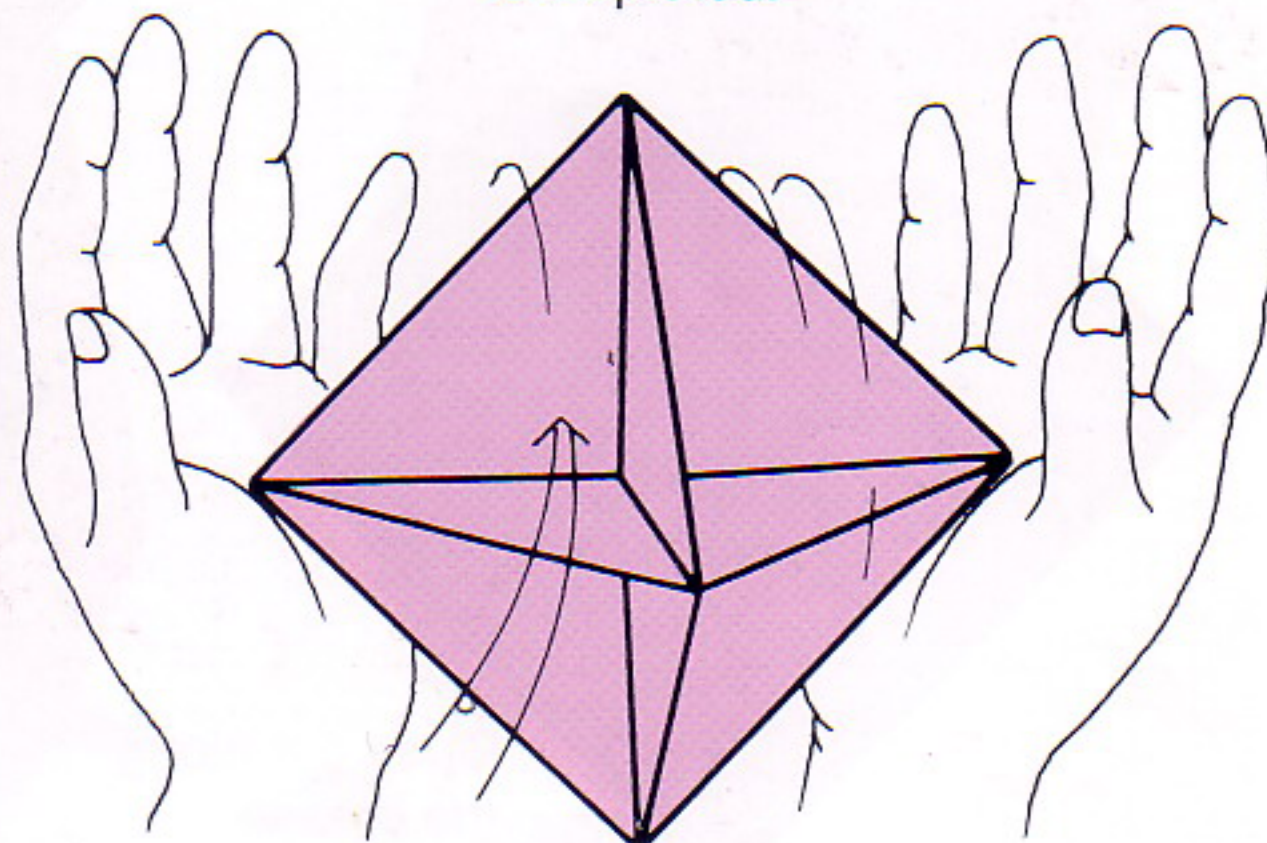


Fold other sheets into A, B and C, alternating tucking inside and covering flaps. Each flap tucks into a different sheet. You should produce 6 points.



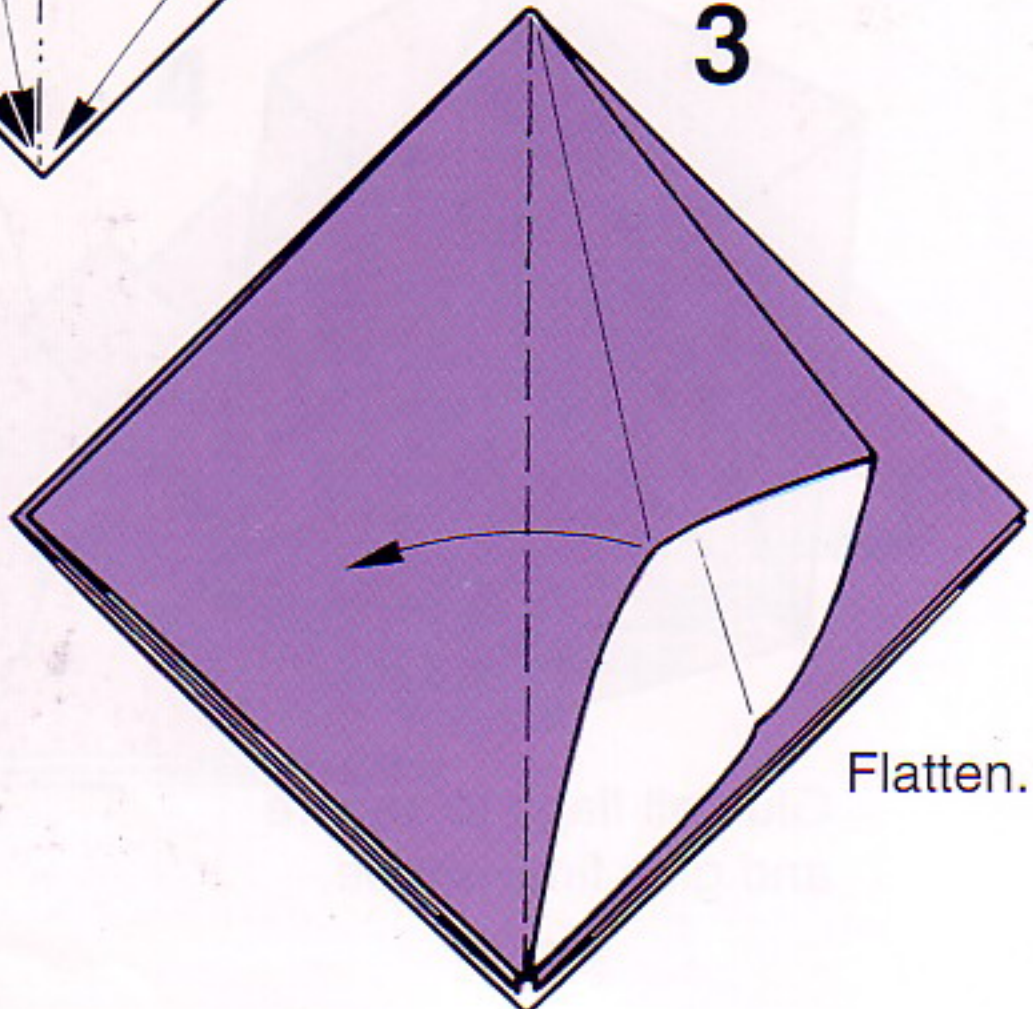
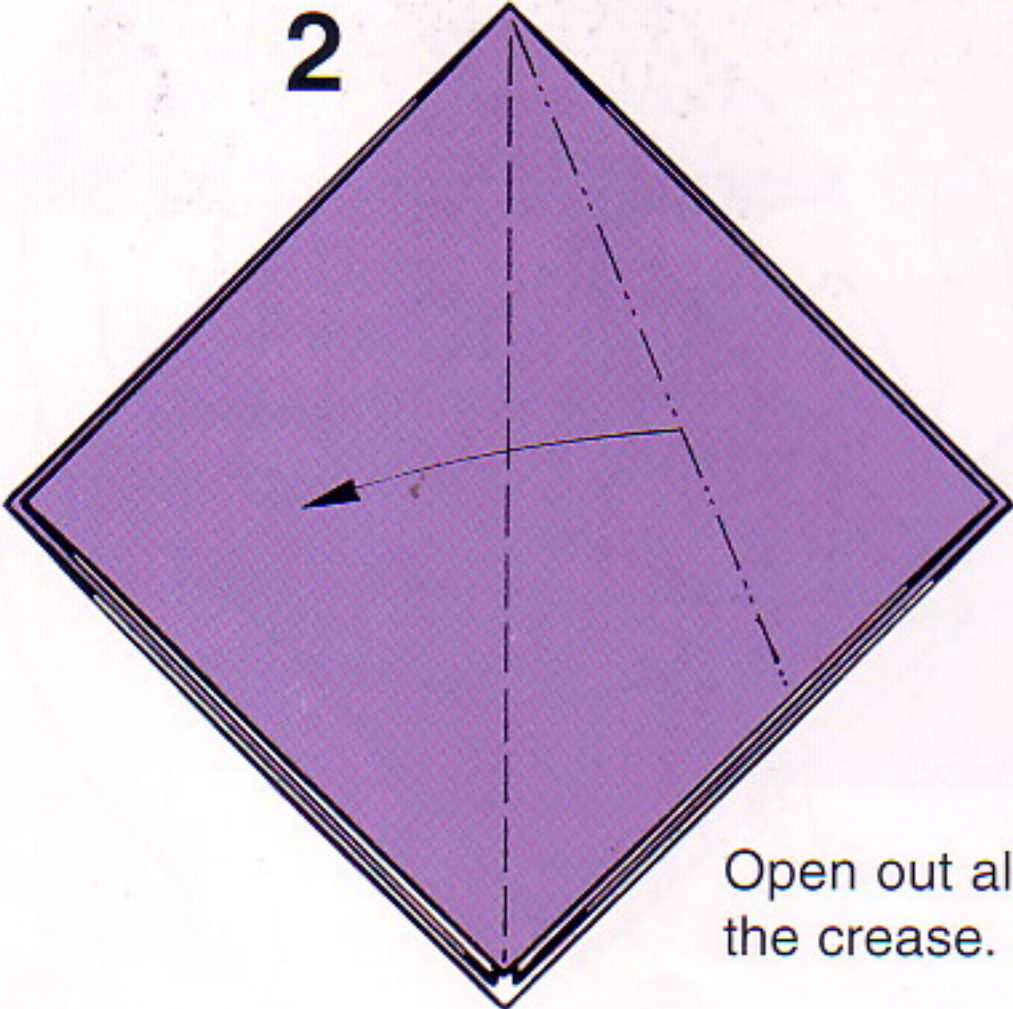
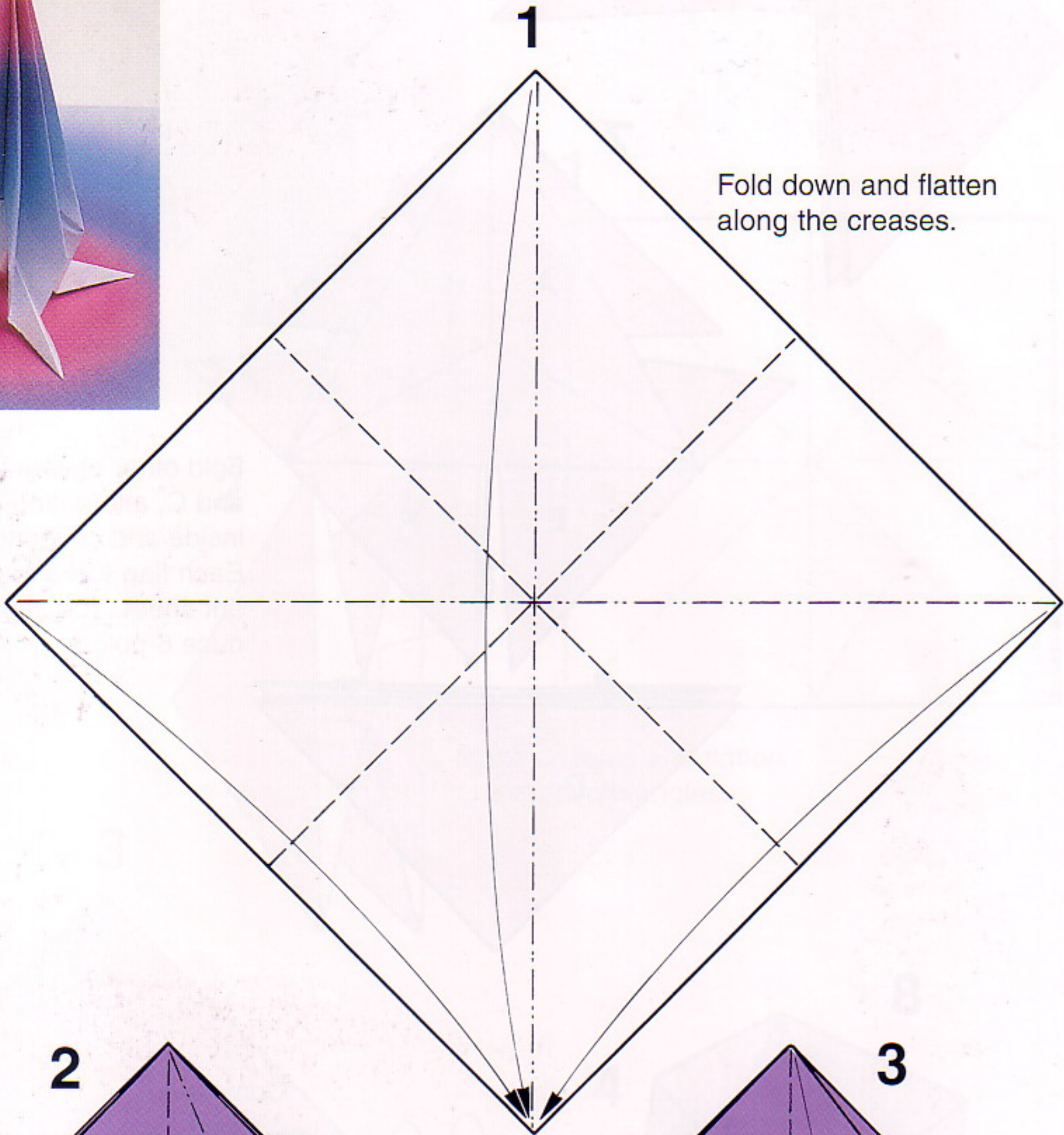
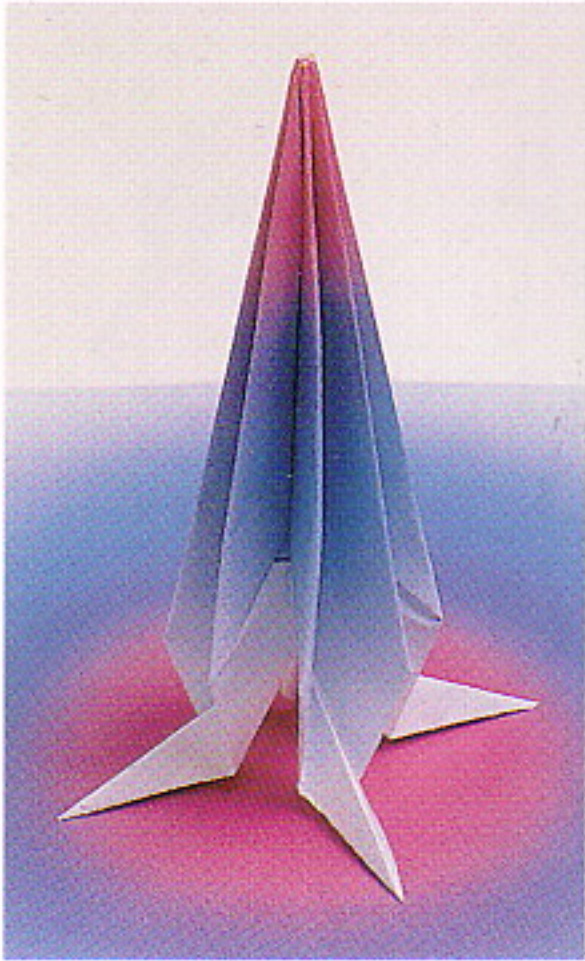
Glue all flaps to secure and give final shape.

Completed.

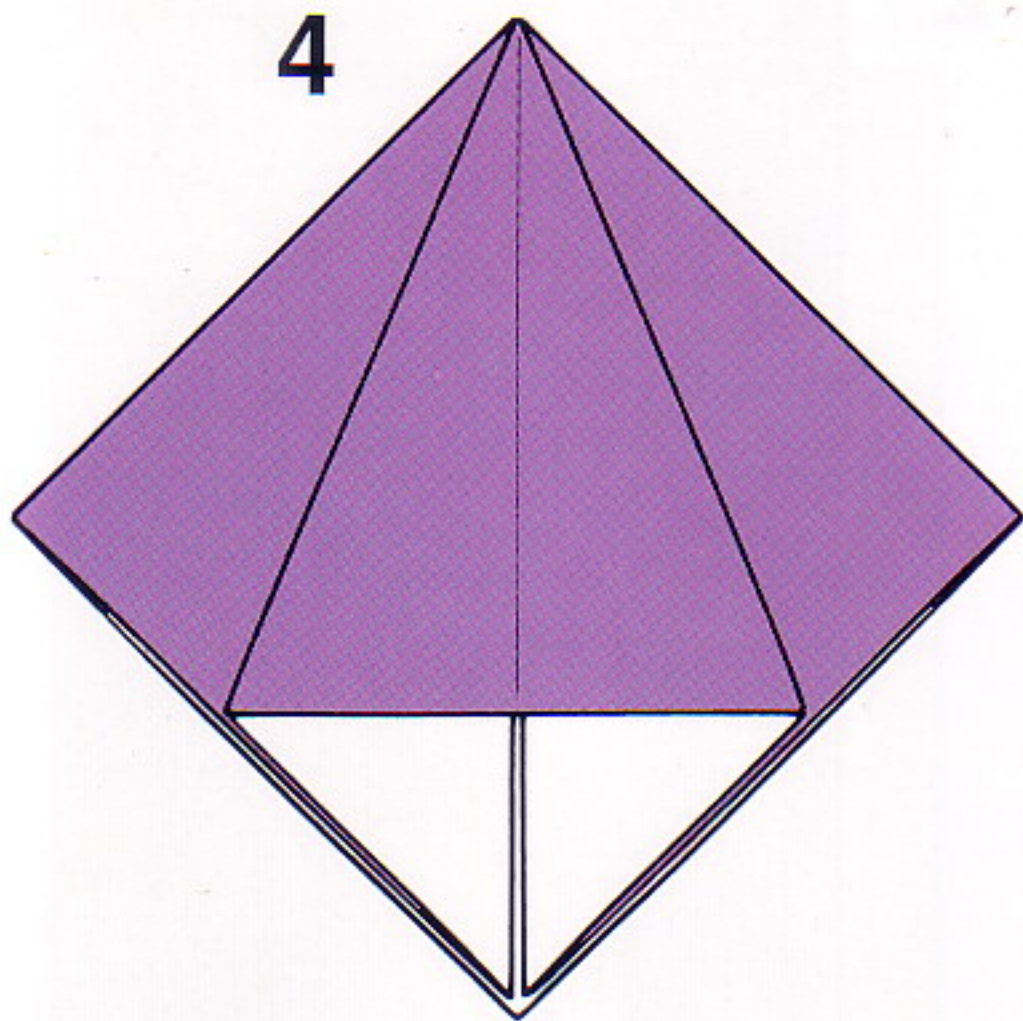




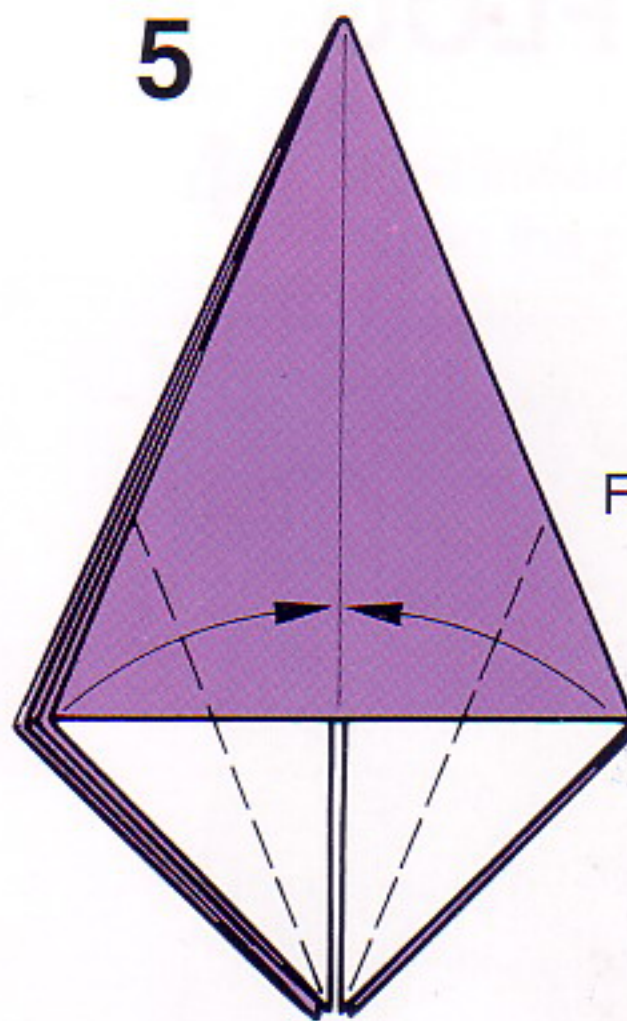
# ROCKET



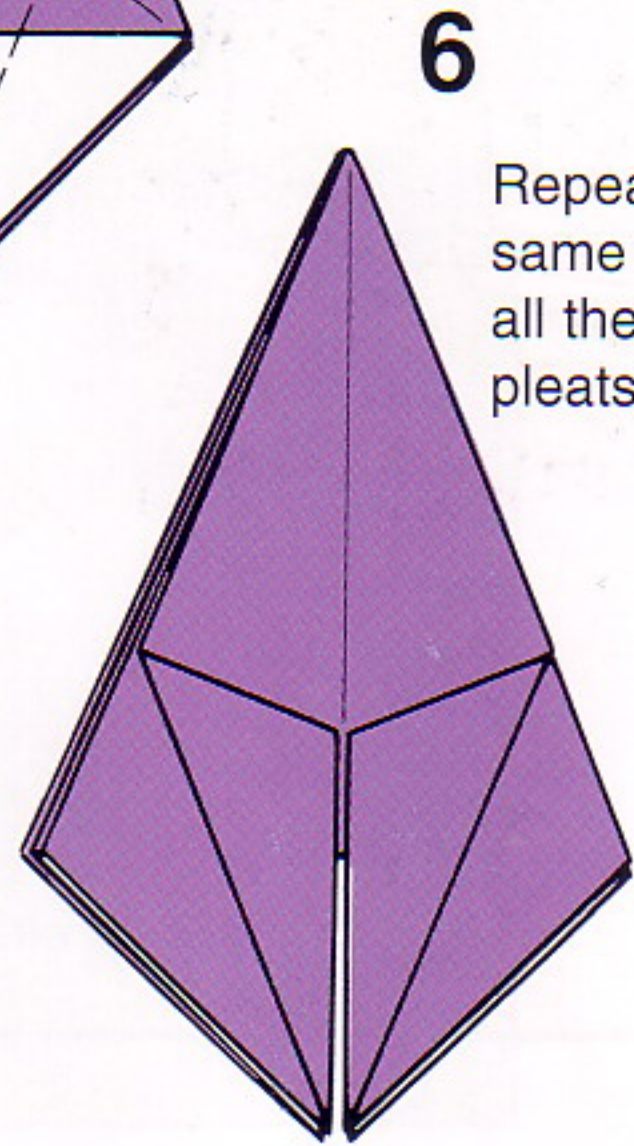




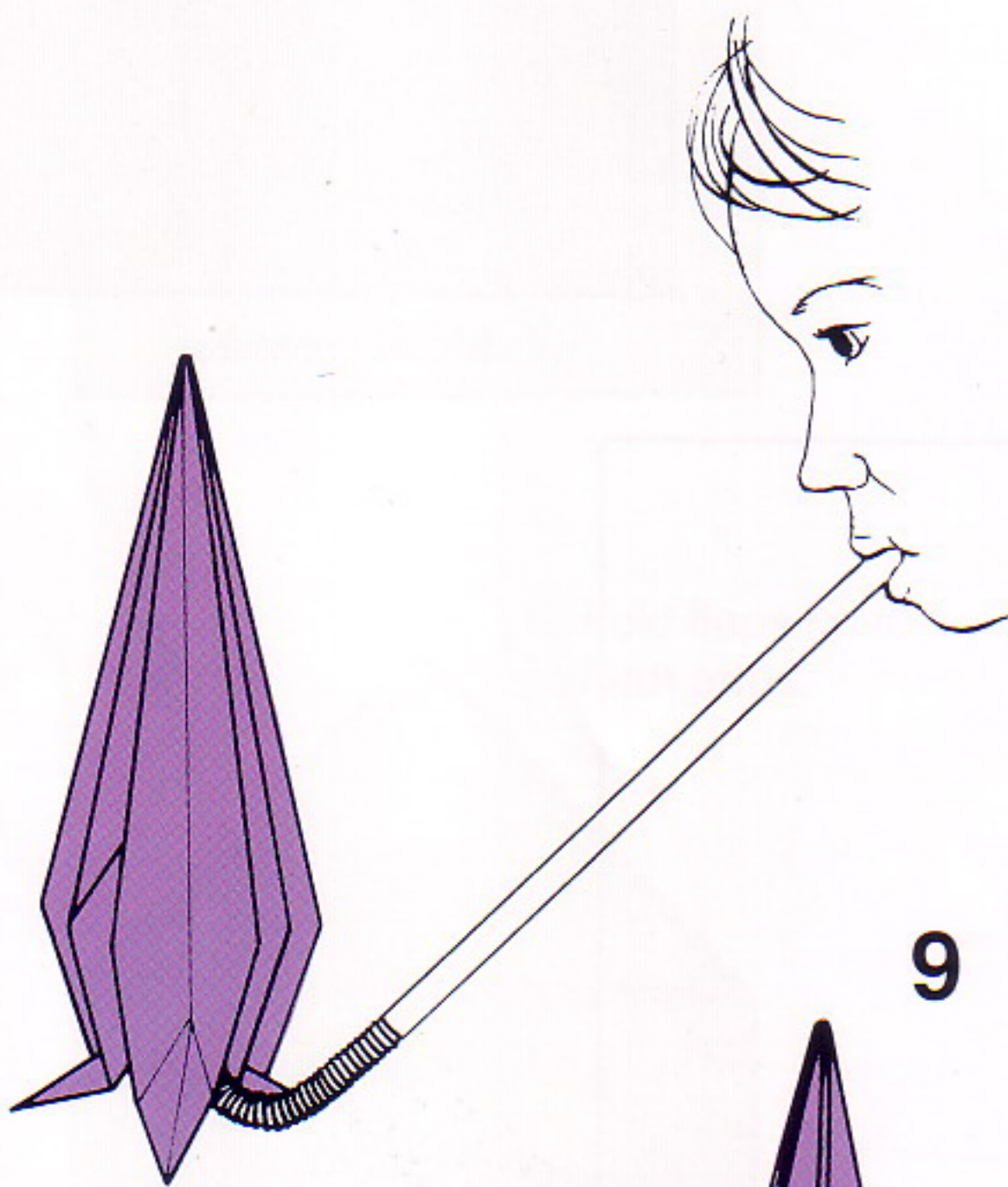
Repeat the same folds with all the the other pleats.



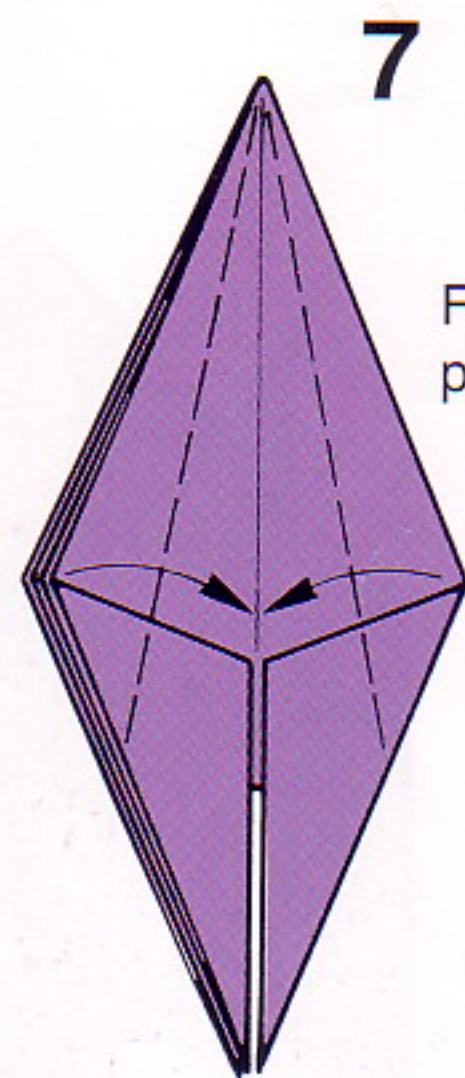
Fold in.



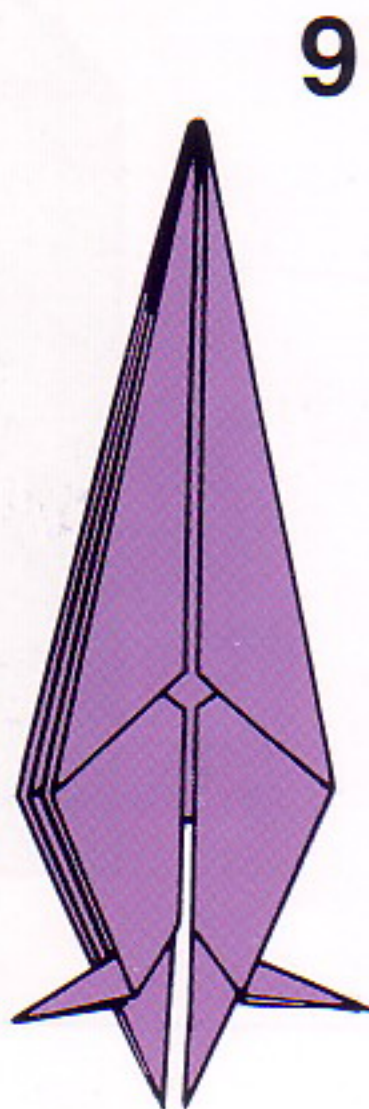
Repeat the same with all the other pleats.



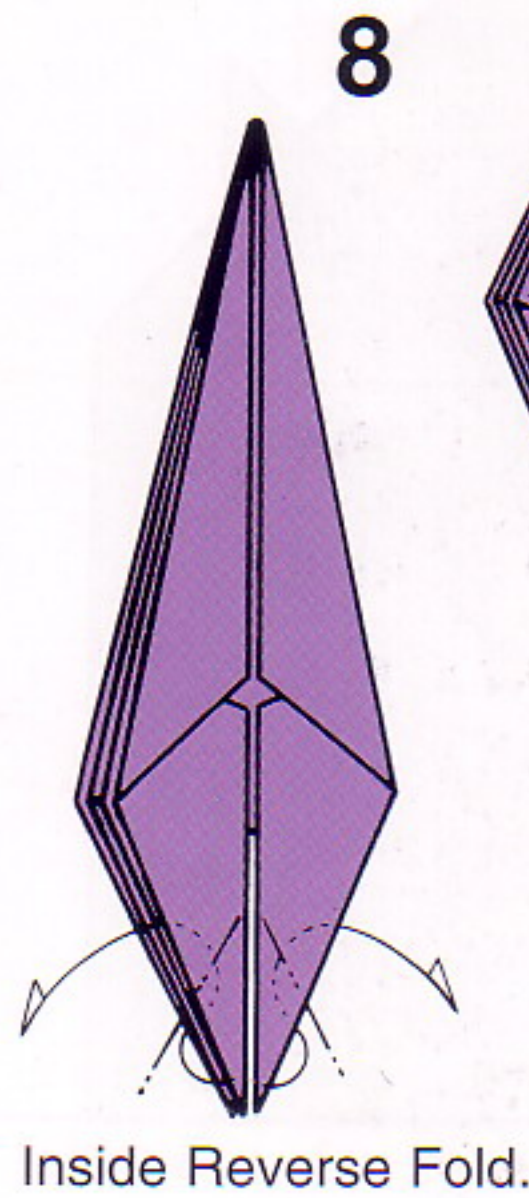
Completed.



Fold in all pleats.



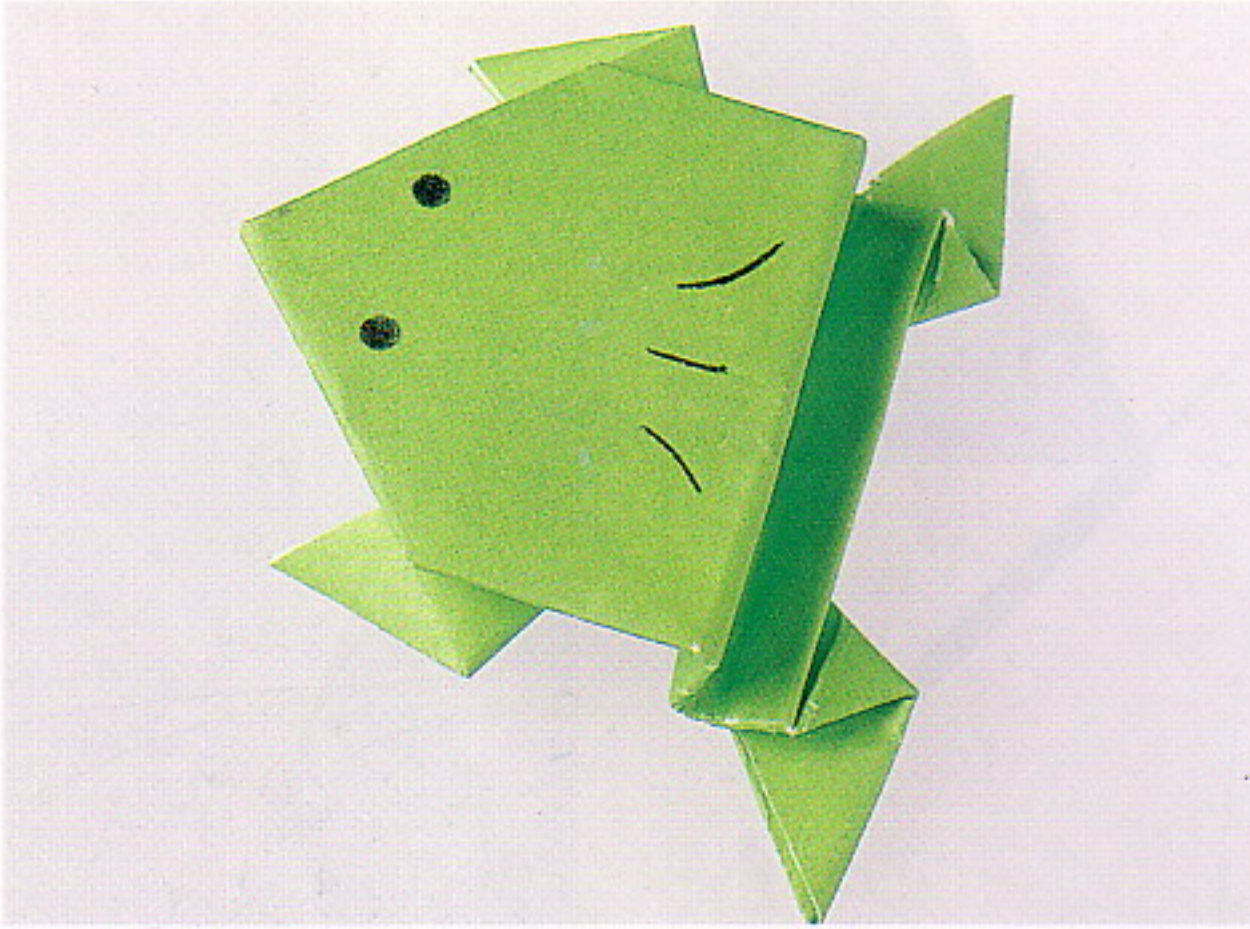
Repeat the same with all the other points.



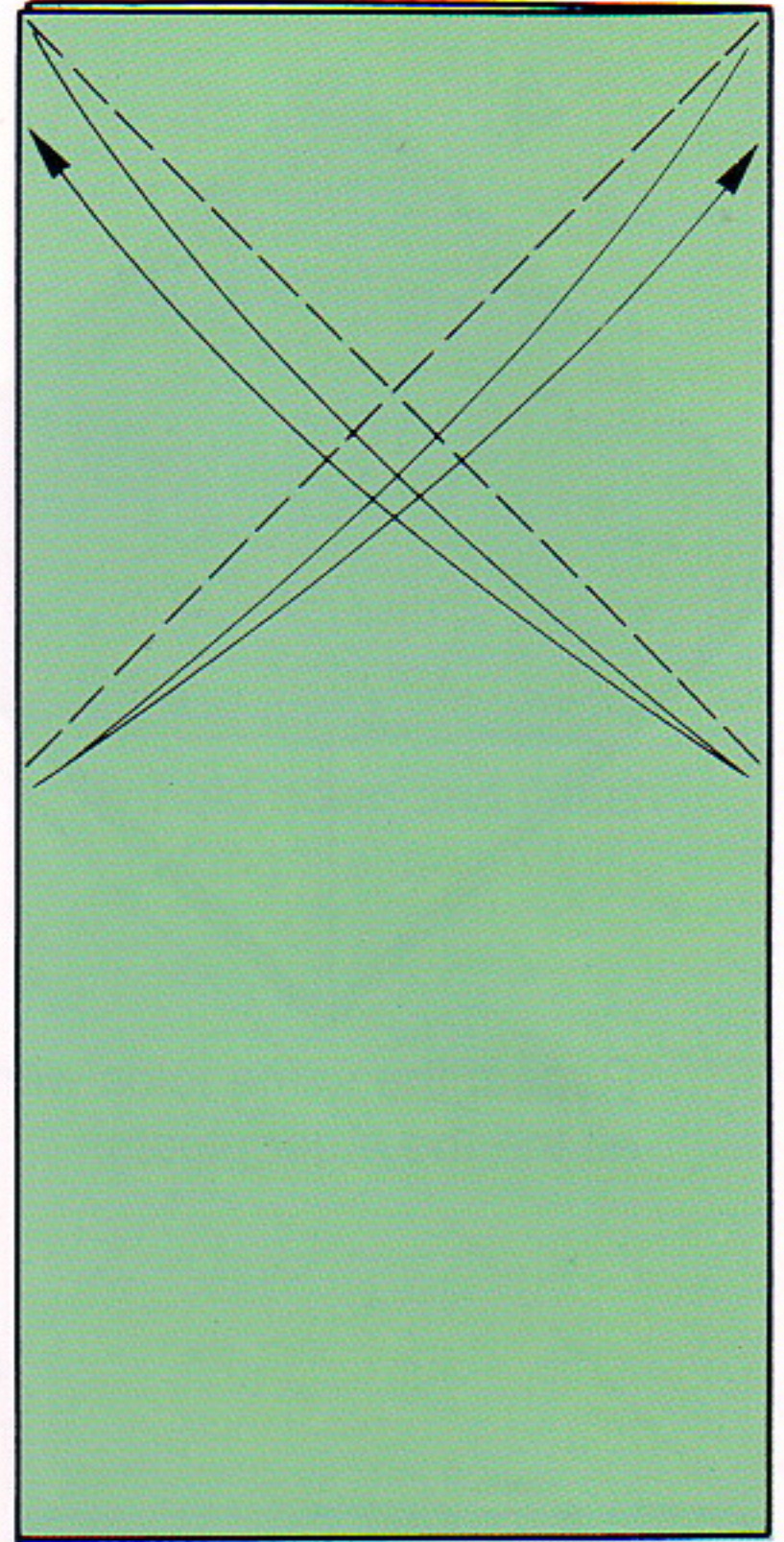
Inside Reverse Fold.



# JUMPING FLOG



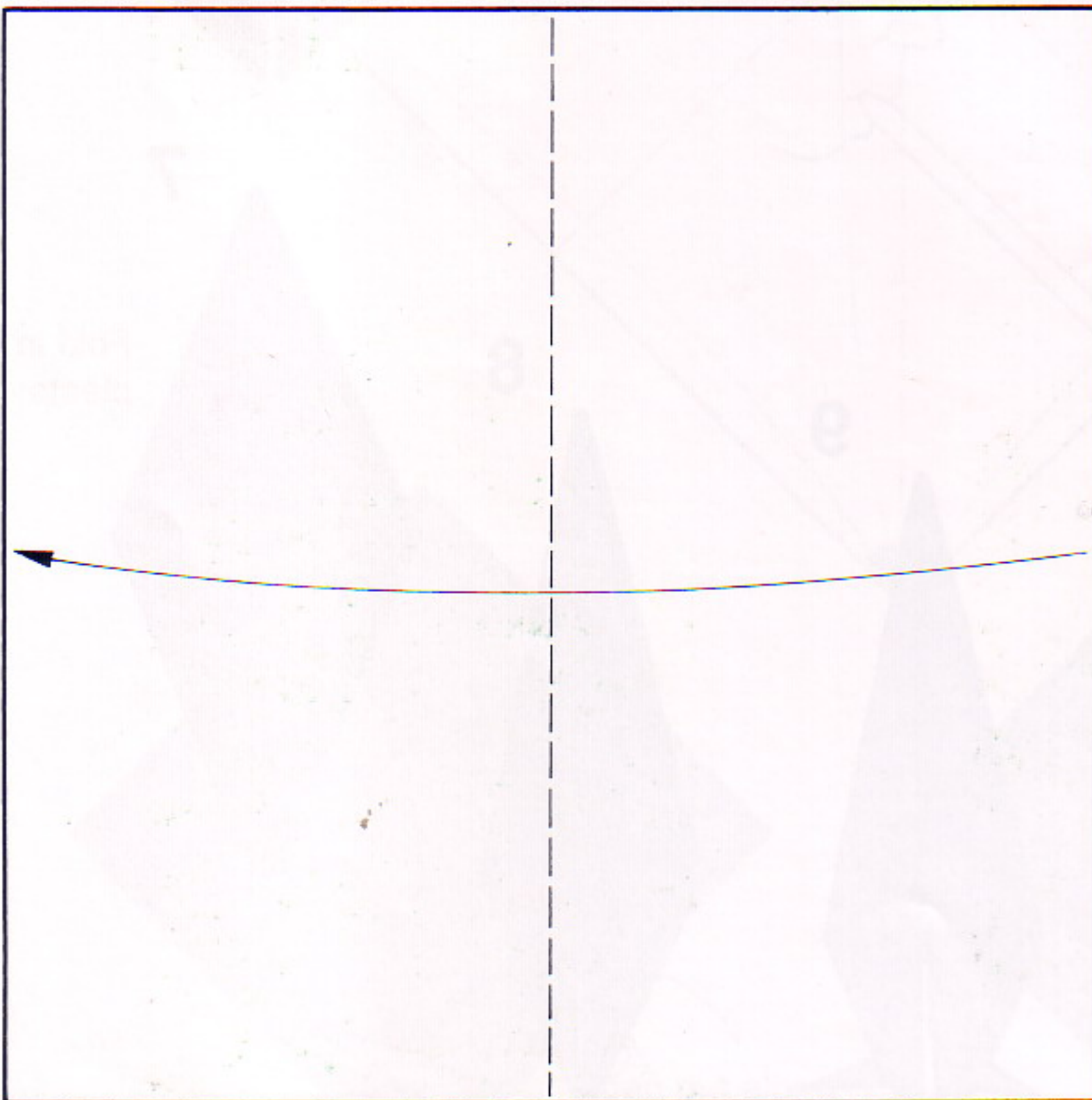
2



1

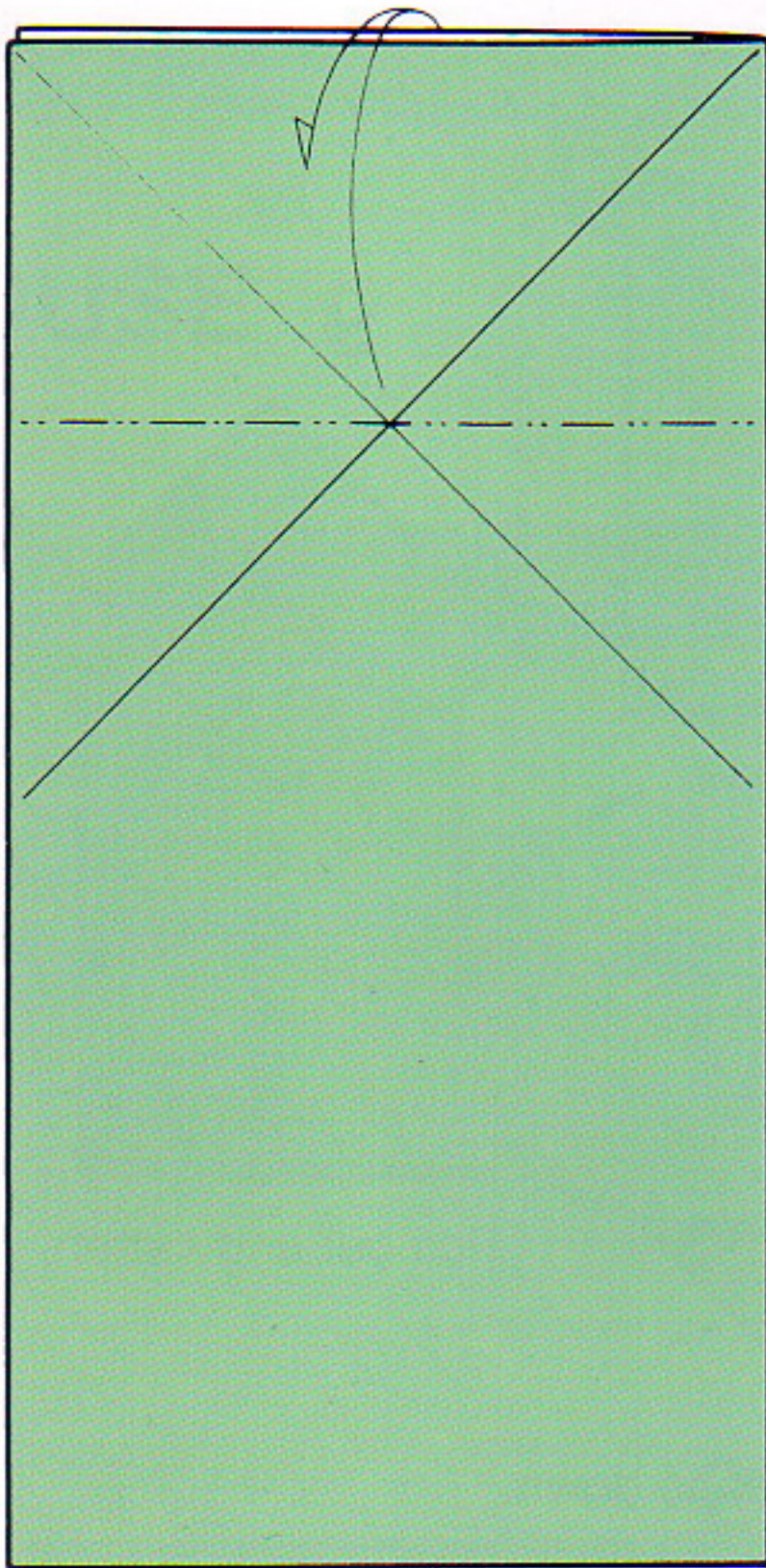
Fold in half.

Make creases.



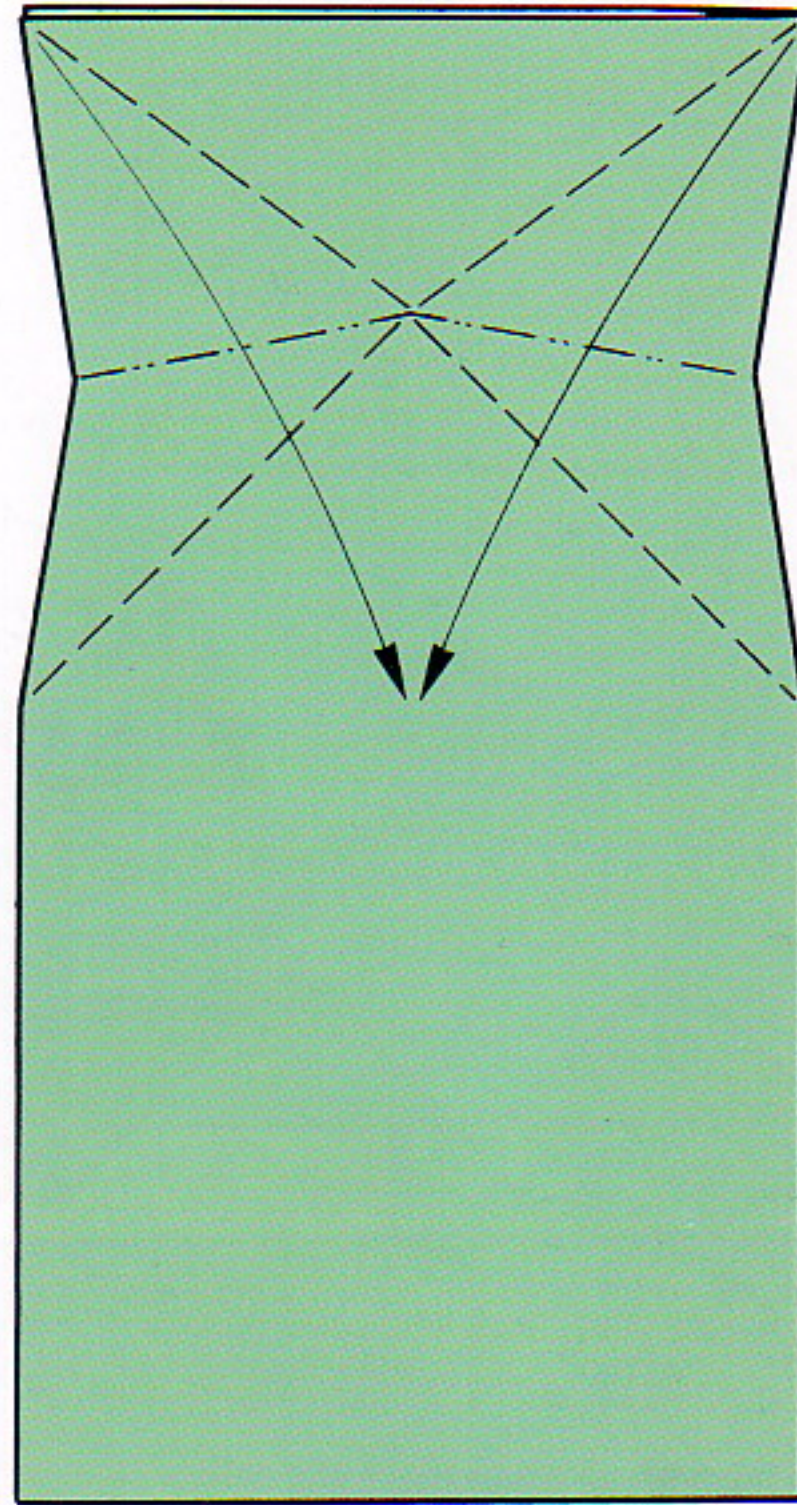


3



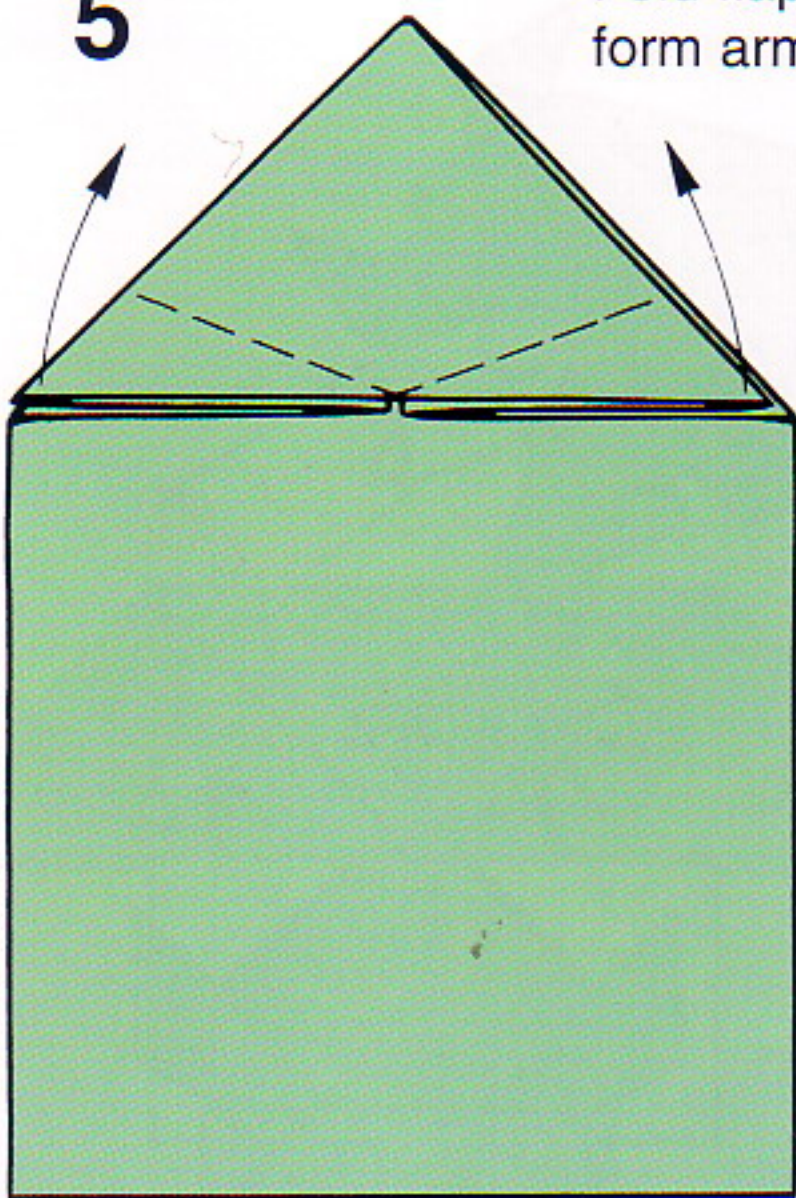
4

Fold inward and flatten along the creases.

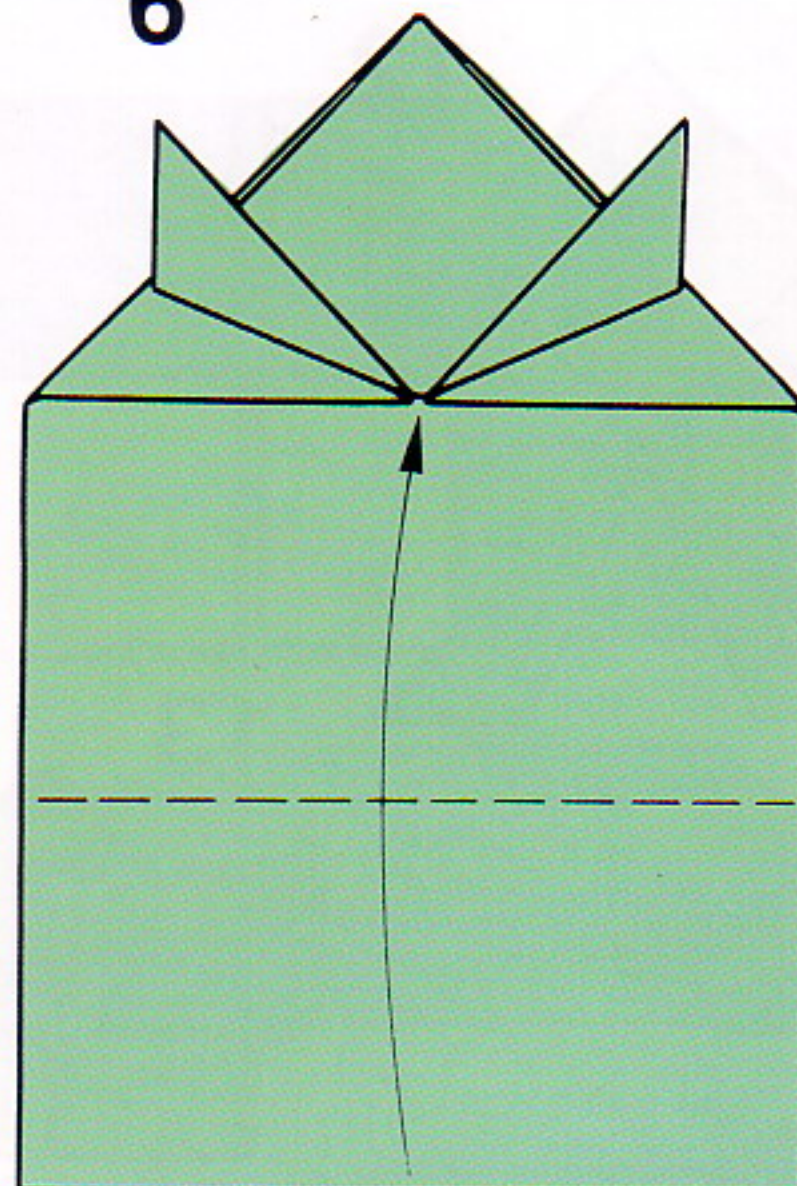


5

Fold flaps up to form arms.

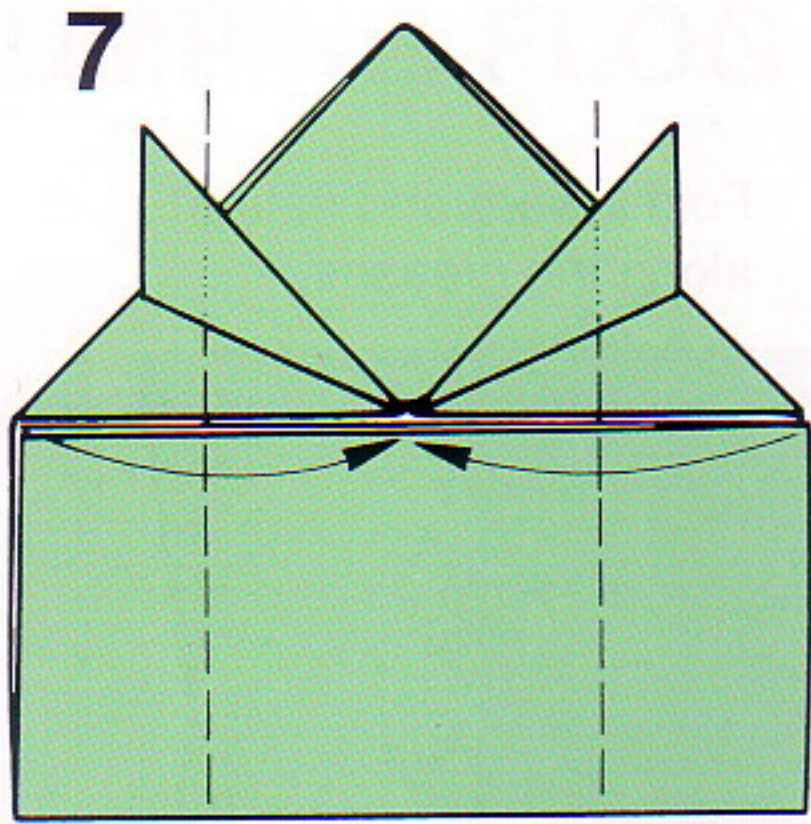


6

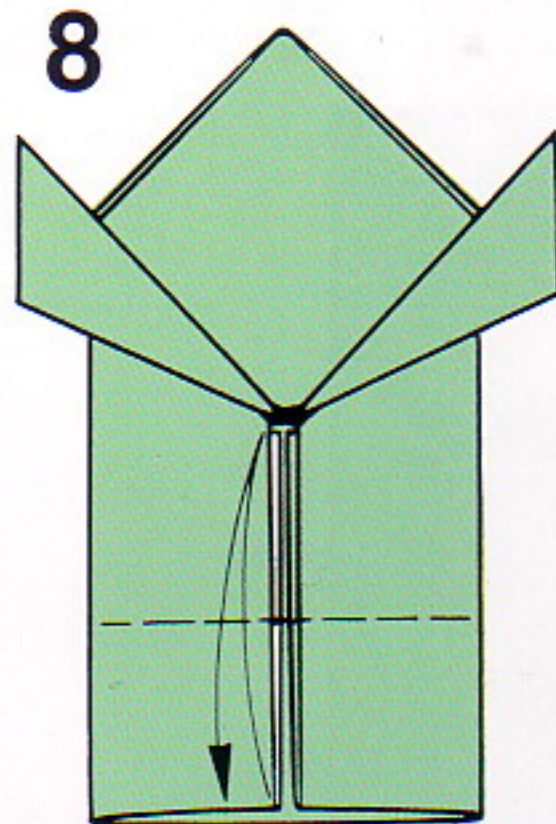


Fold up.

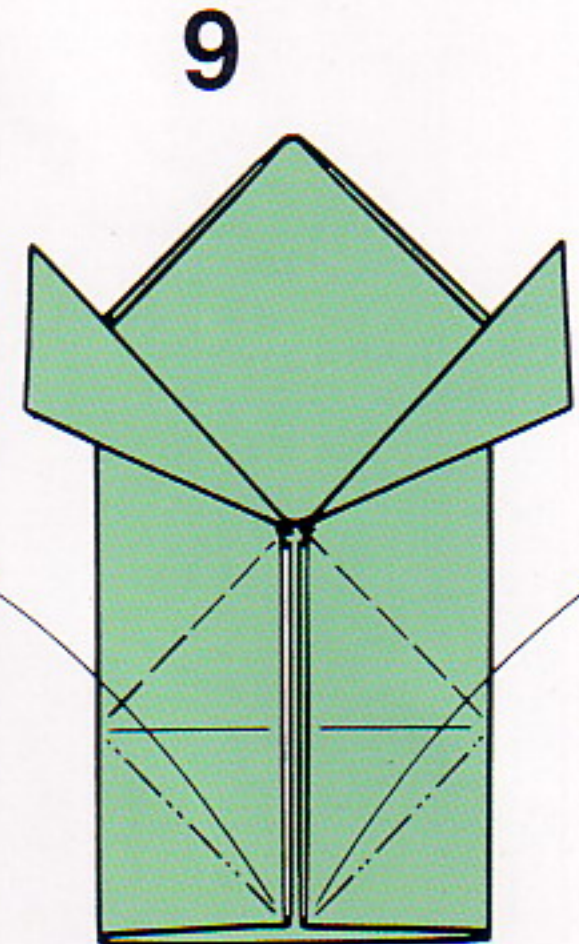




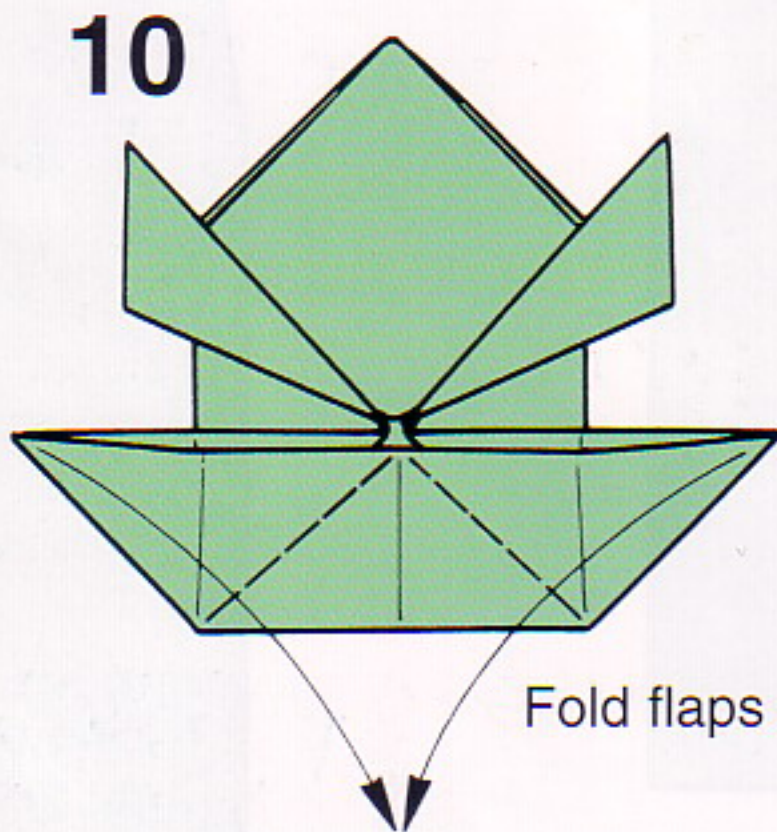
Fold in.



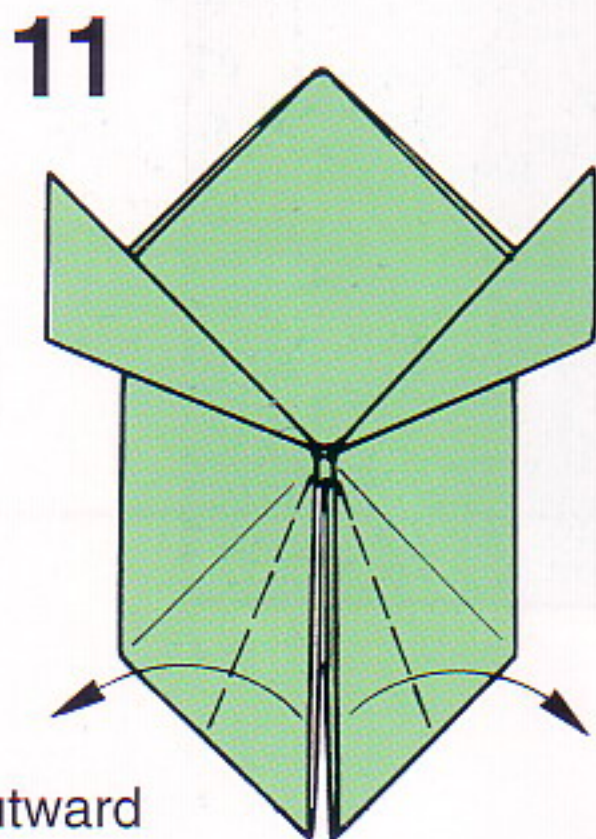
Make a crease.



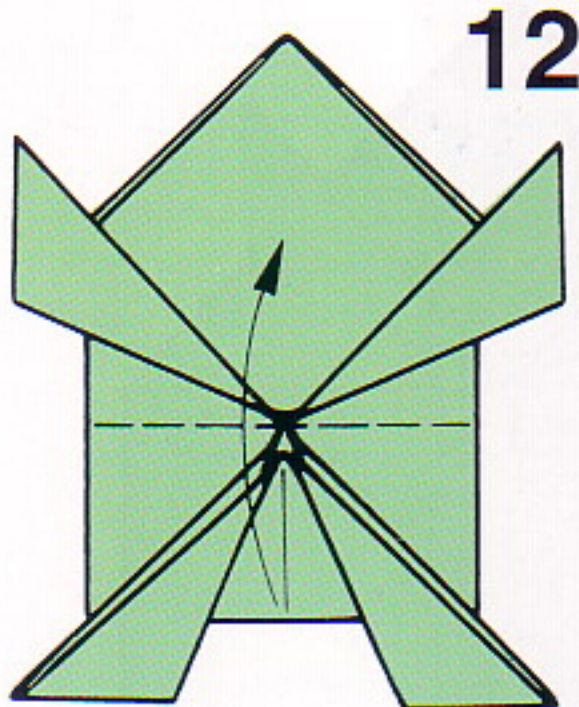
Pull out and flatten.



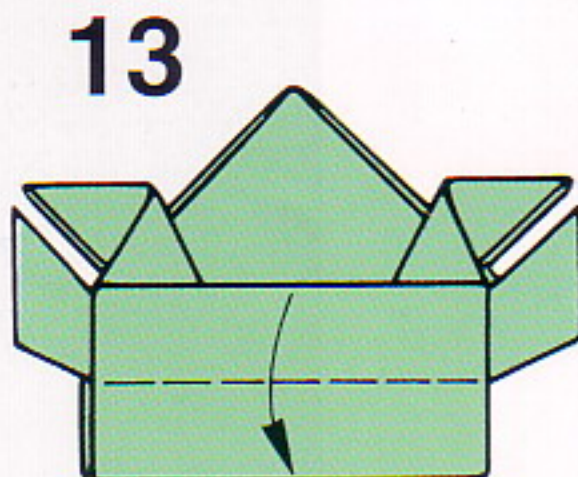
Fold flaps down.



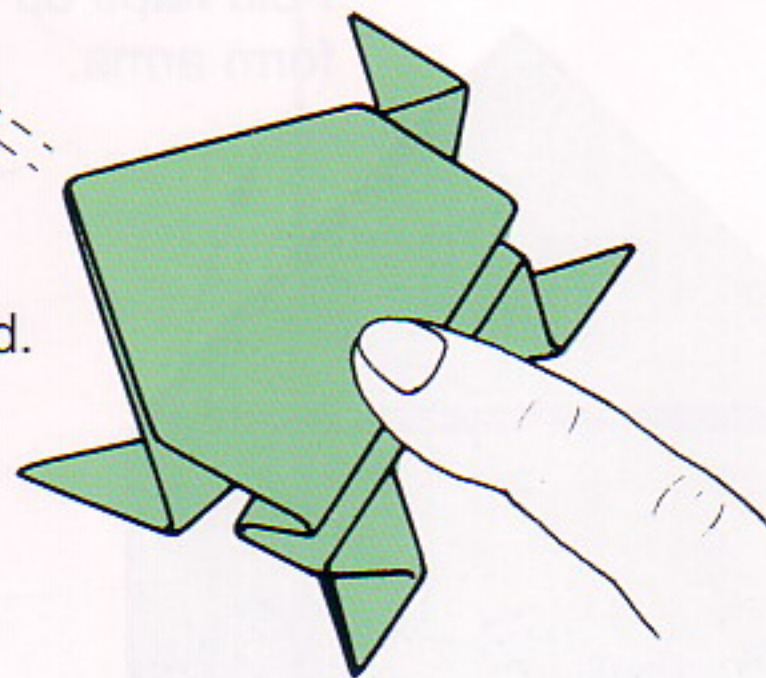
Fold outward to form legs.



Fold up.

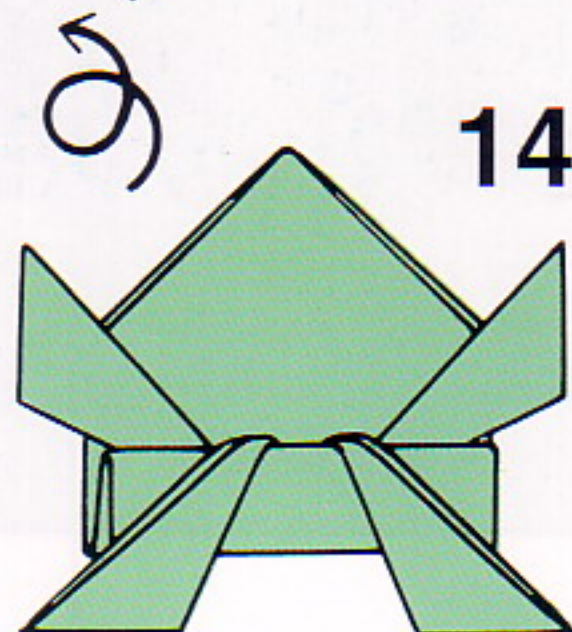


Fold down.



Completed.

Turn over.



14

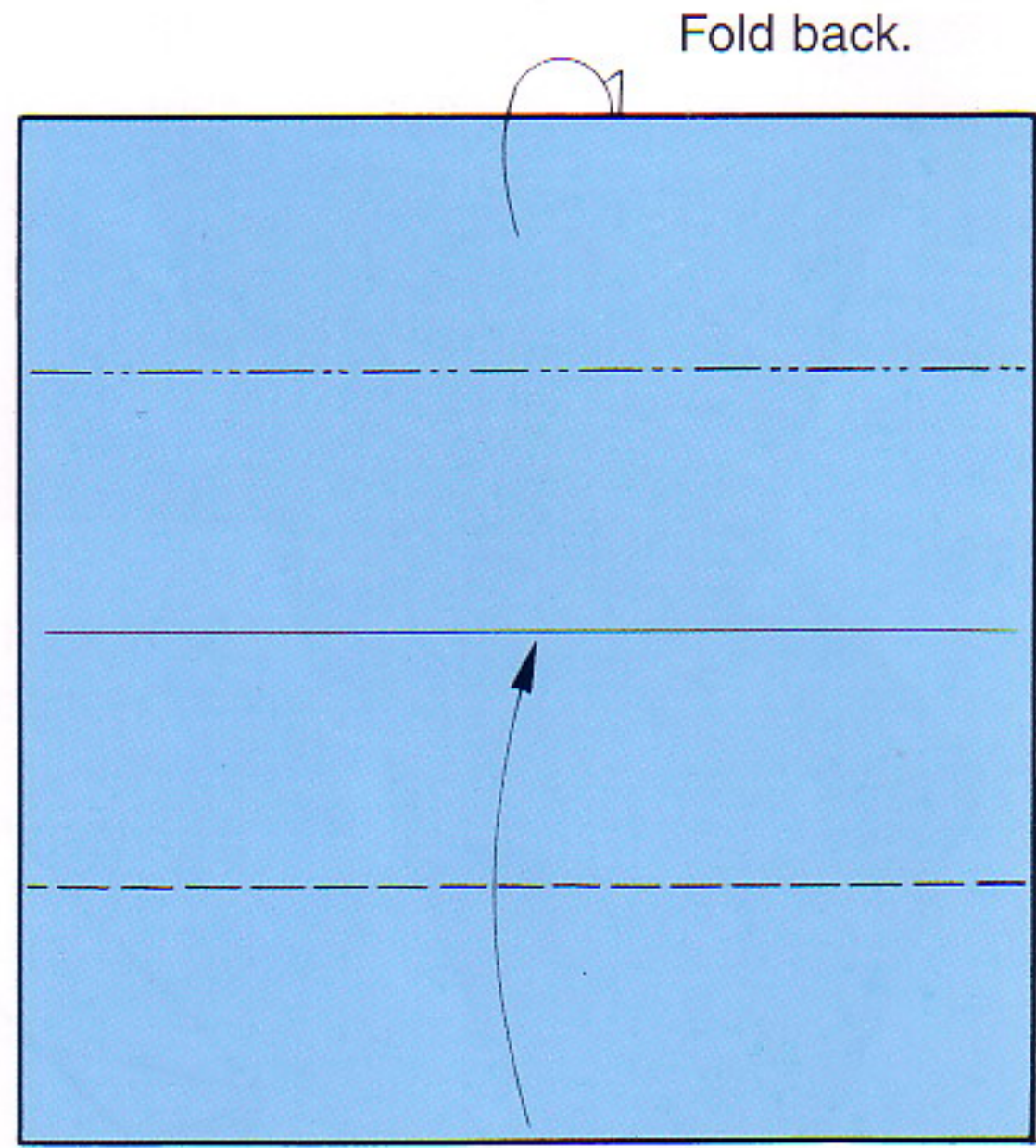


# ON THE TABLE

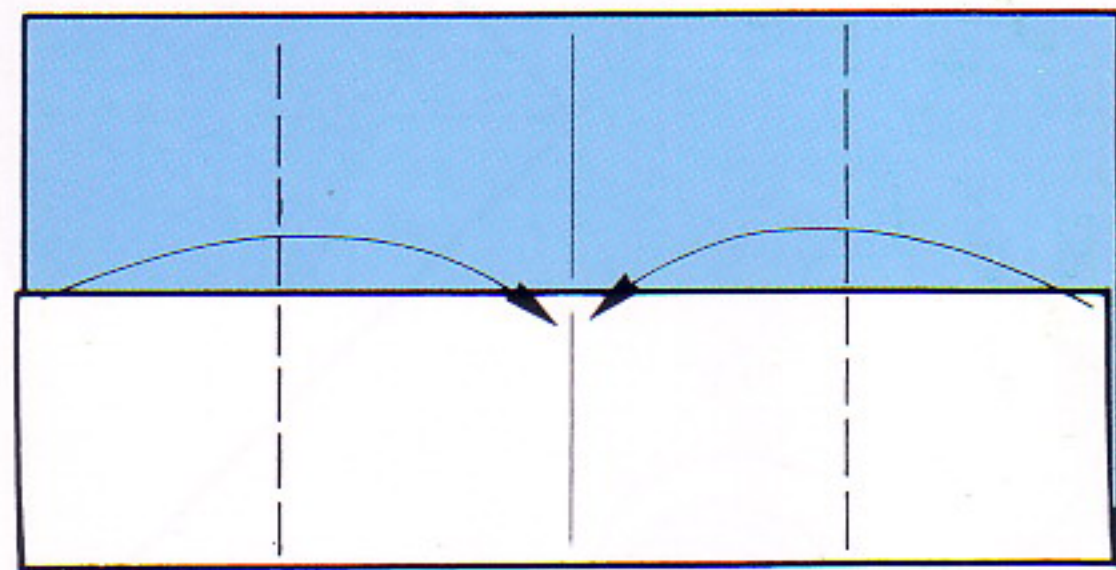
## HOUSE



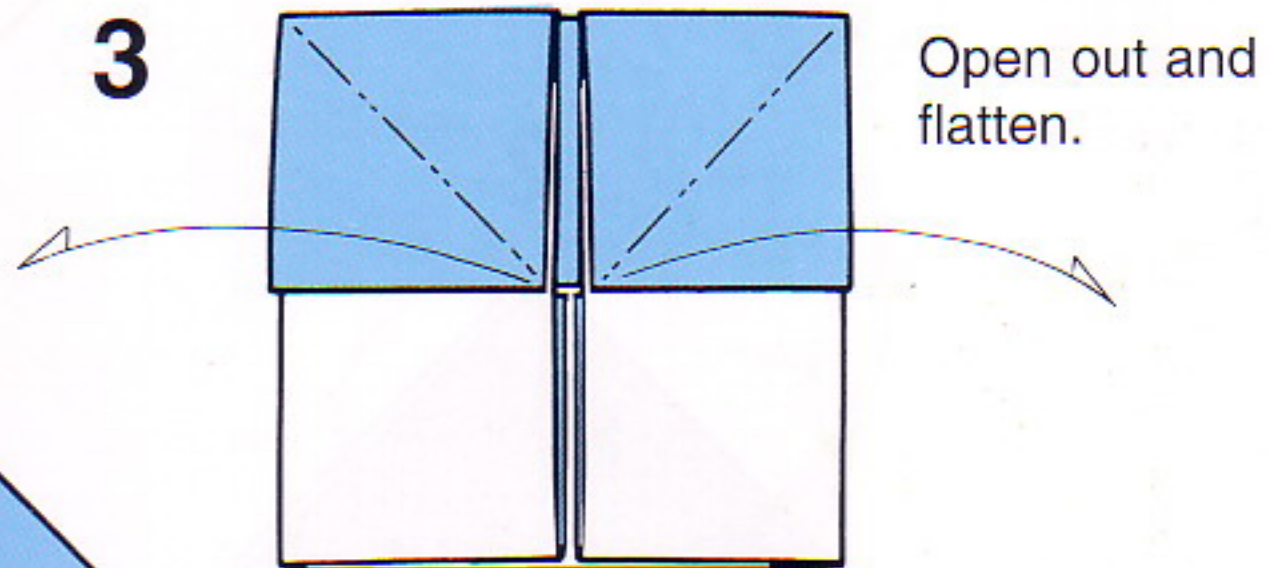
1



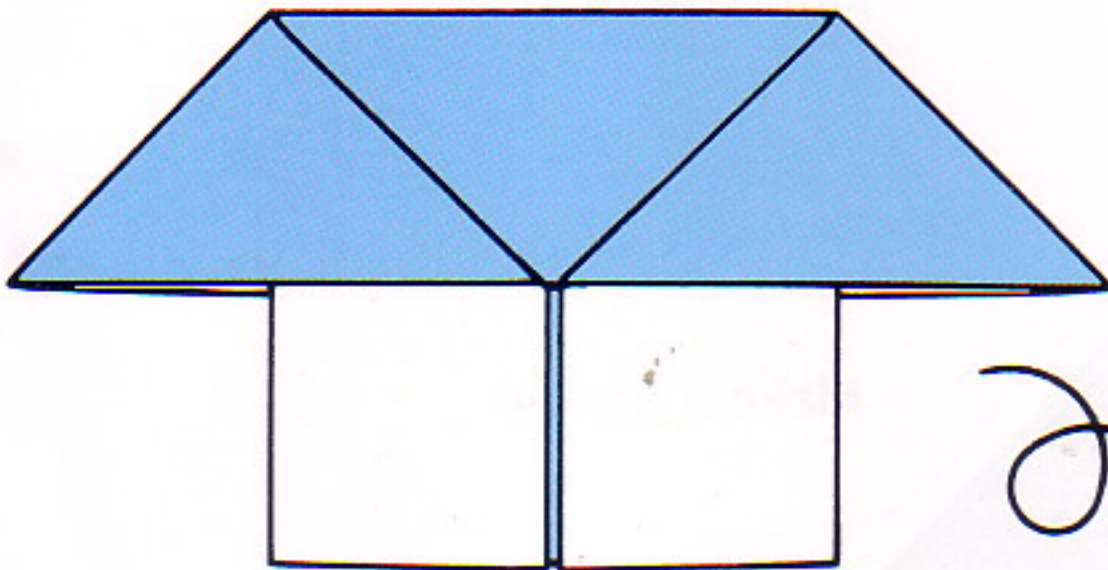
2



3



4



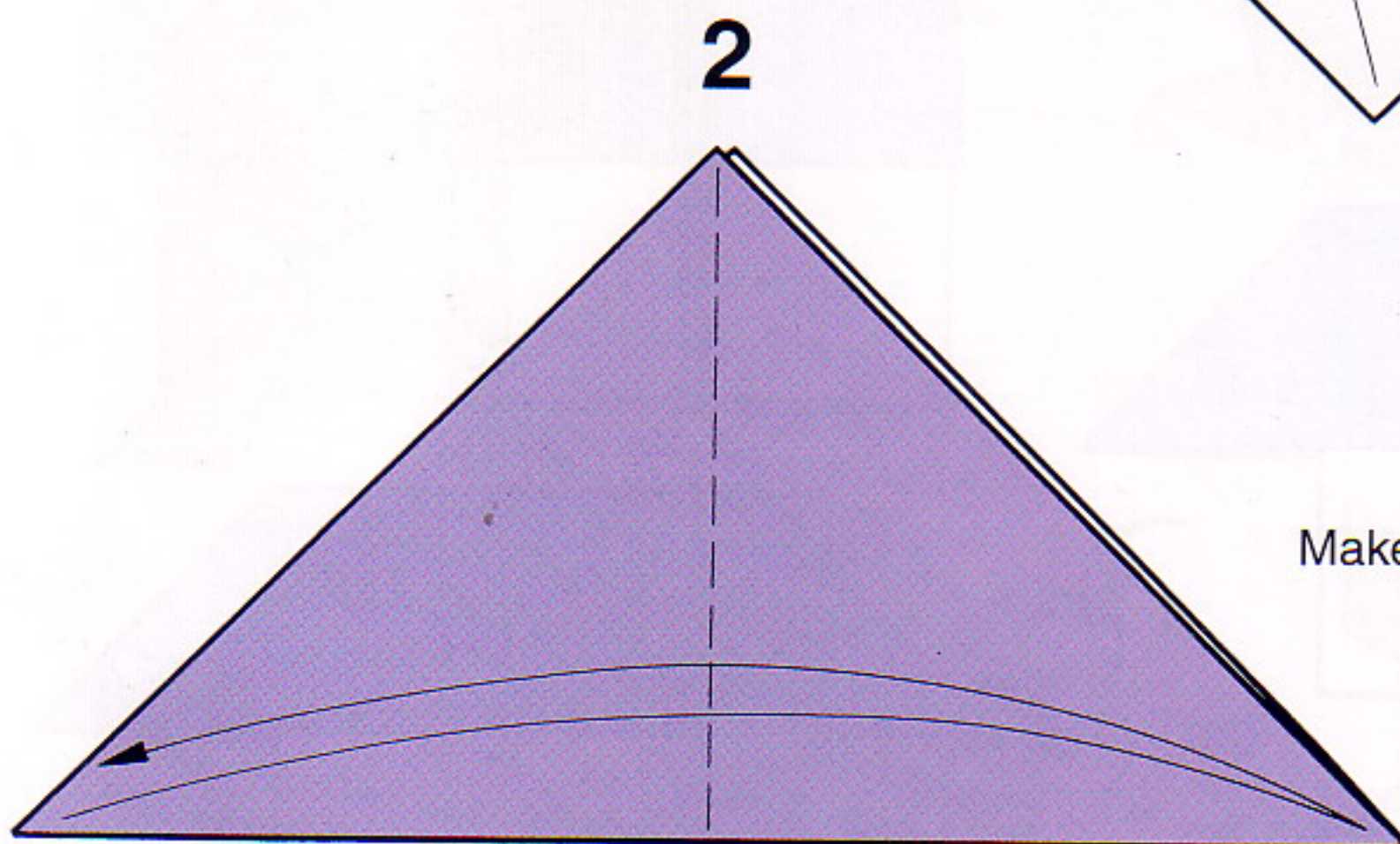
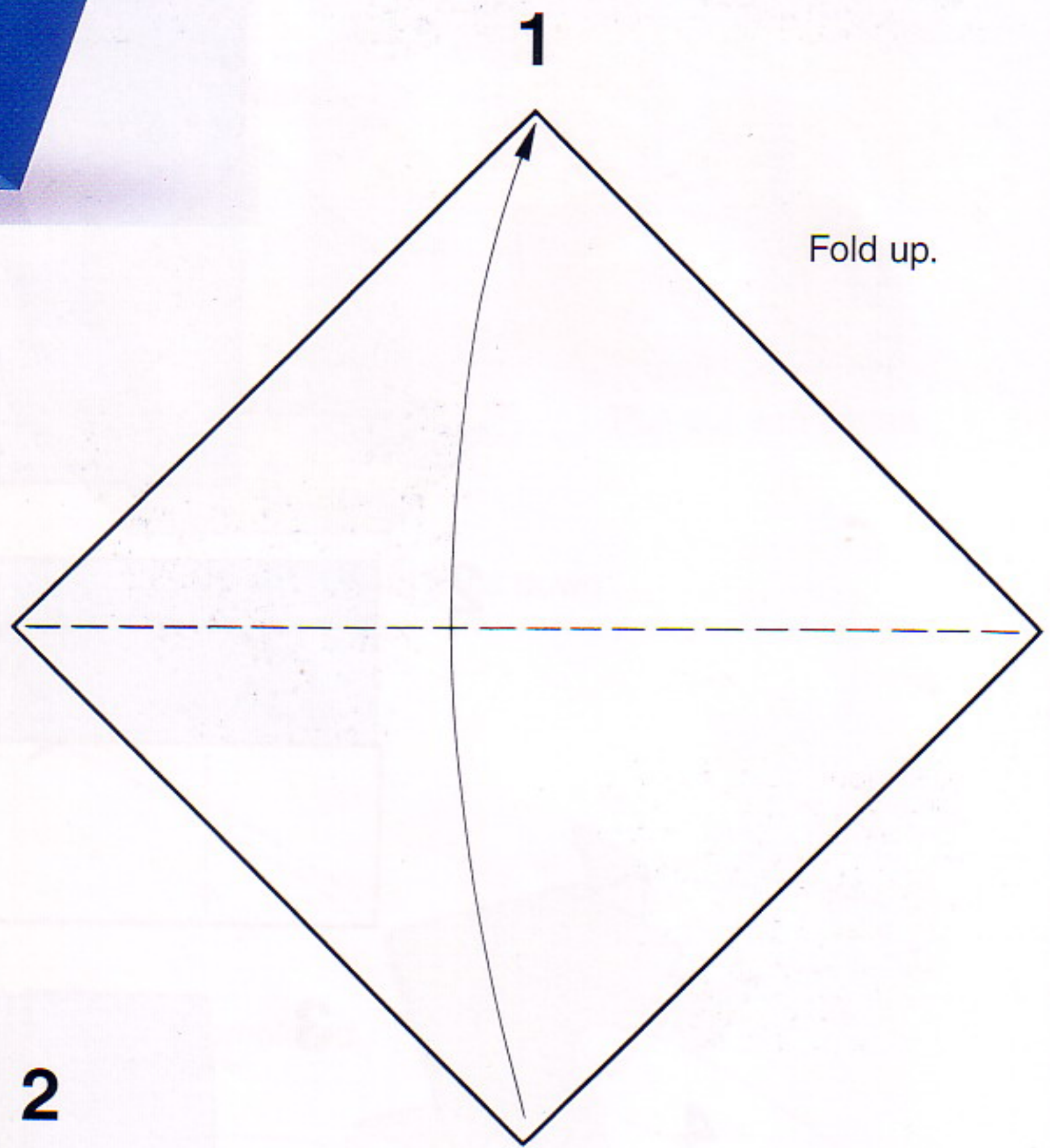
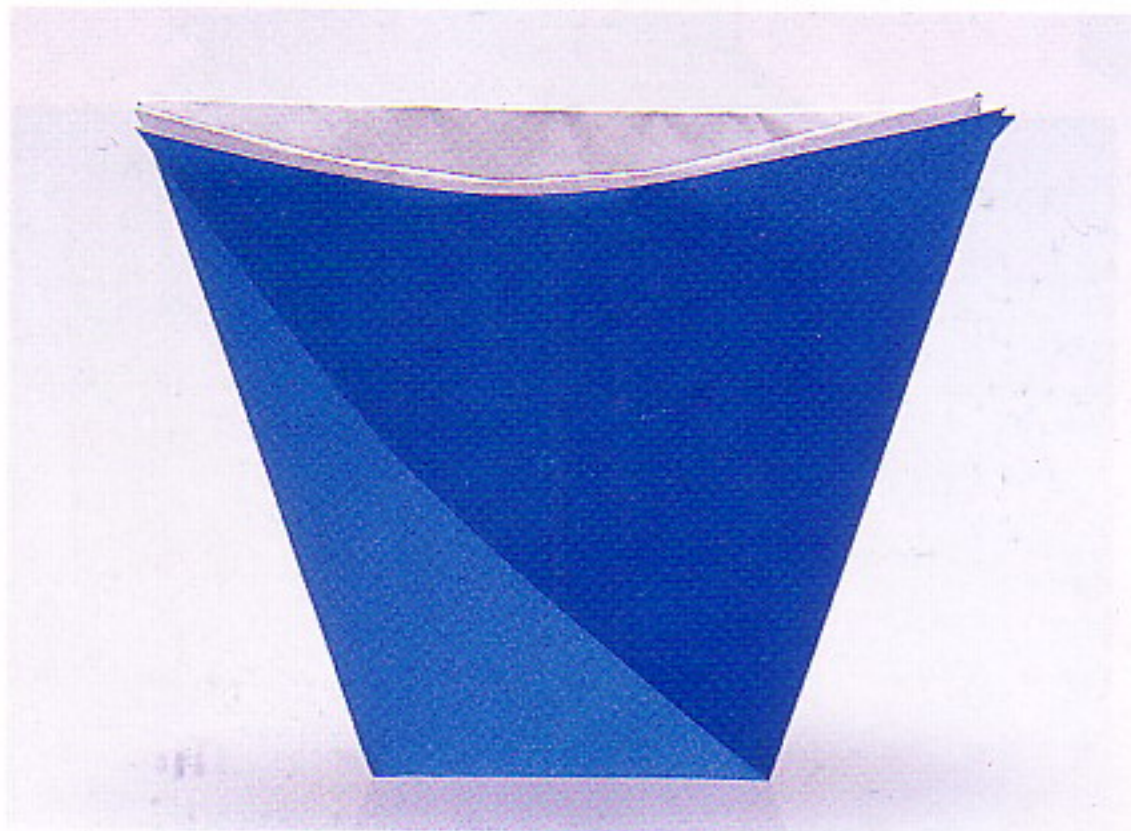
Turn over.



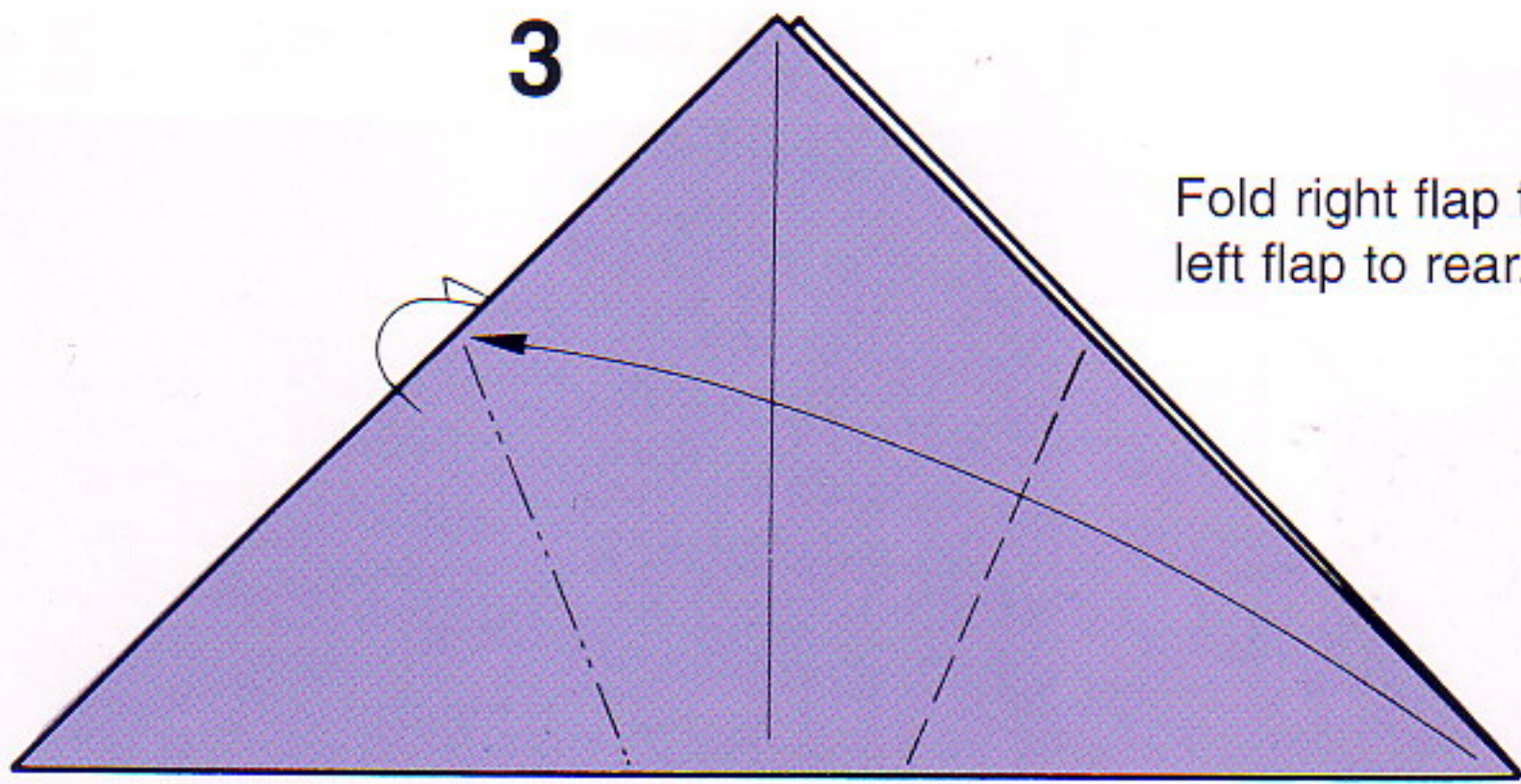
Completed.



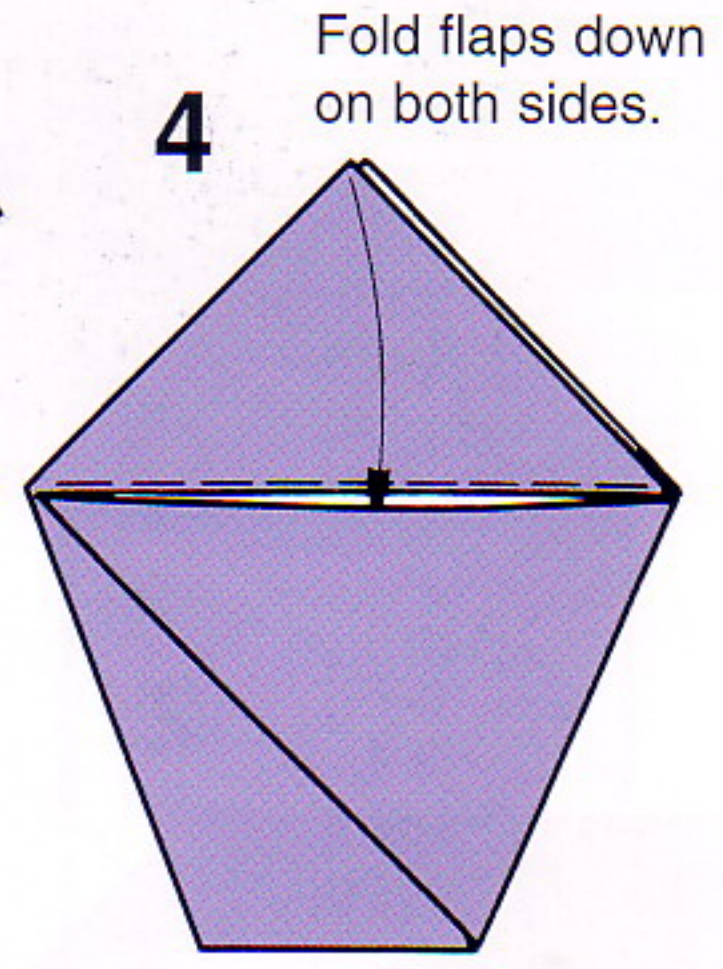
# CUP



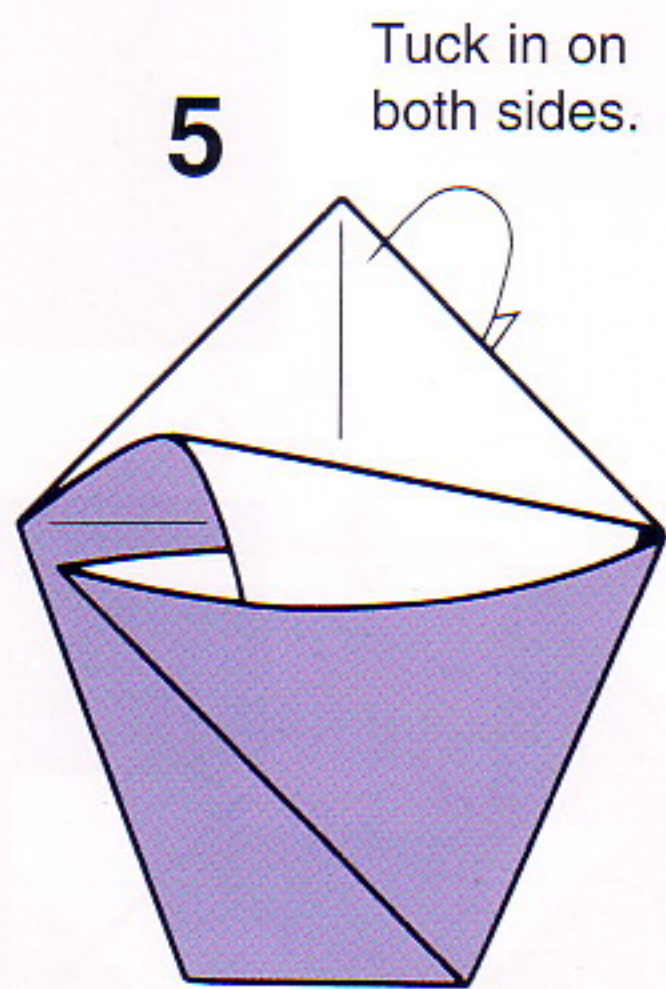




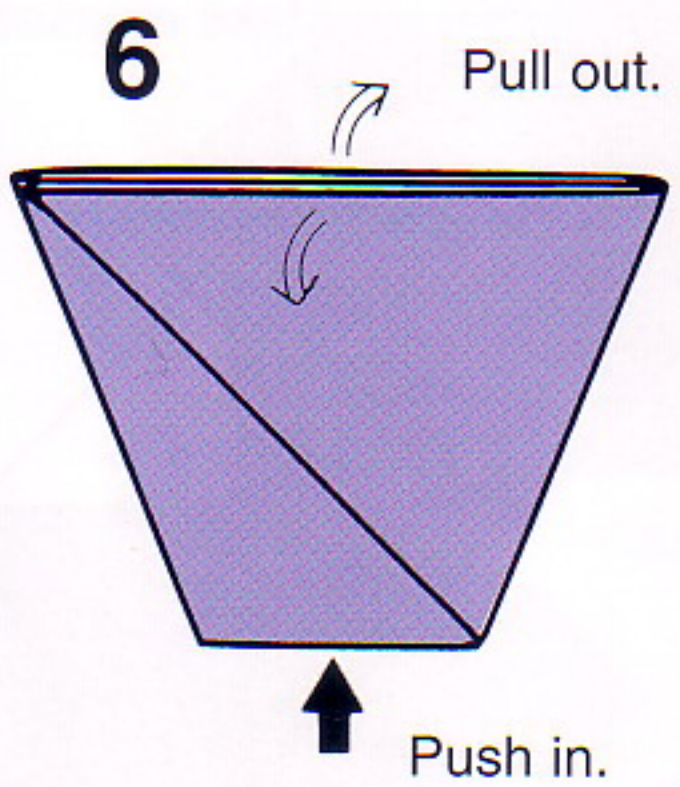
Fold right flap to front,  
left flap to rear.



Fold flaps down  
on both sides.

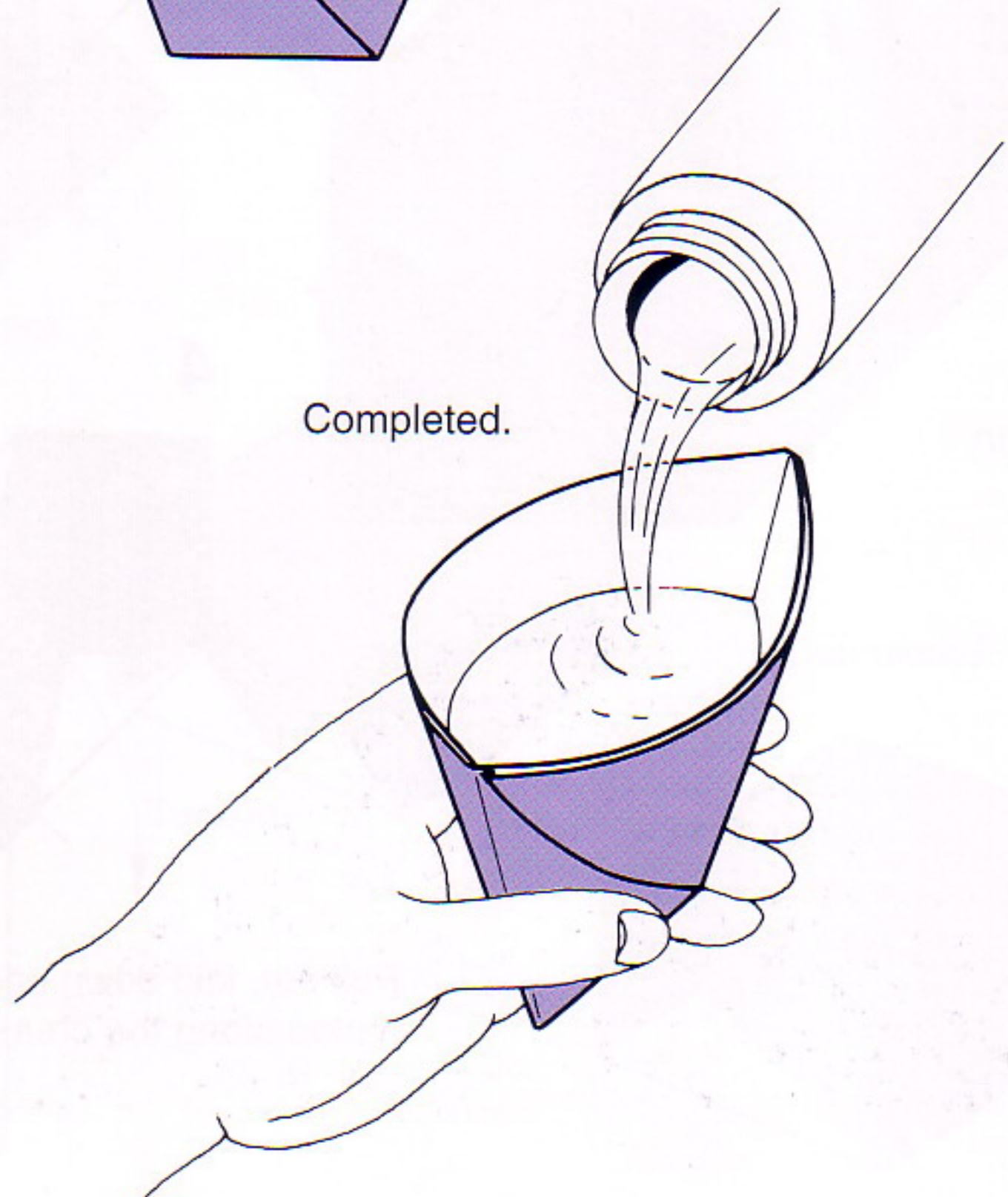


Tuck in on  
both sides.



Pull out.

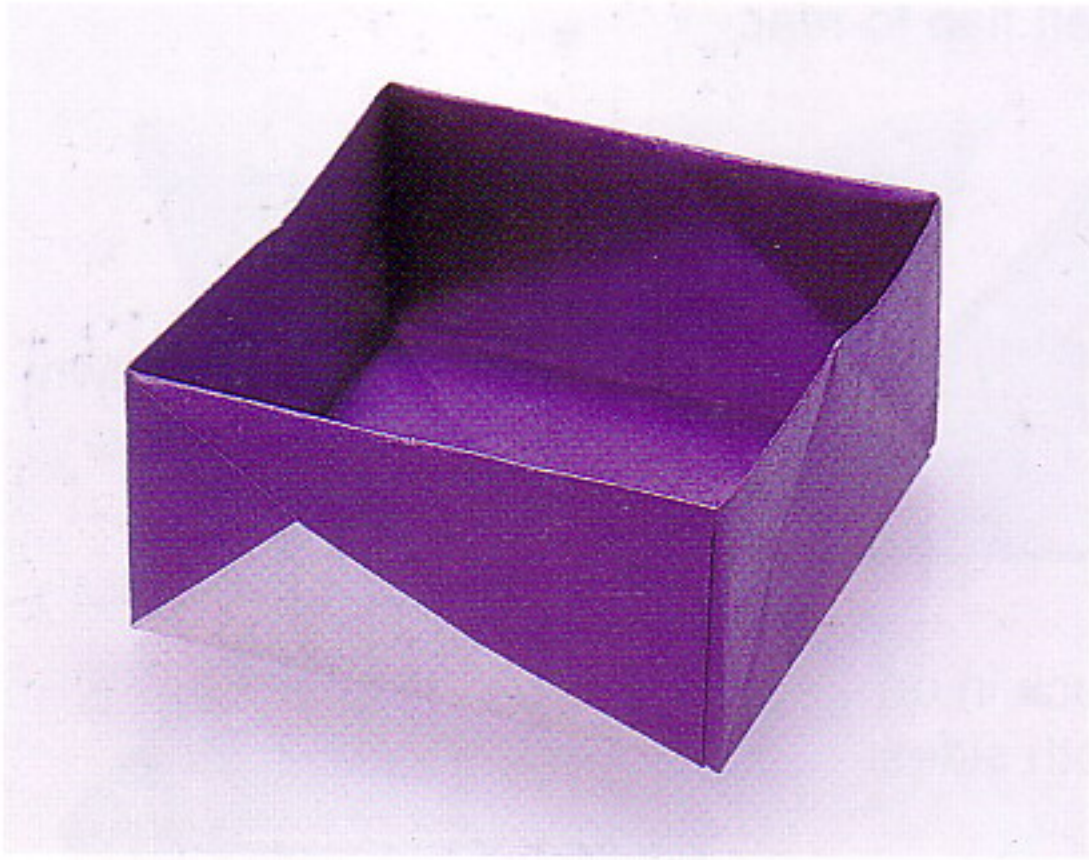
Push in.



Completed.

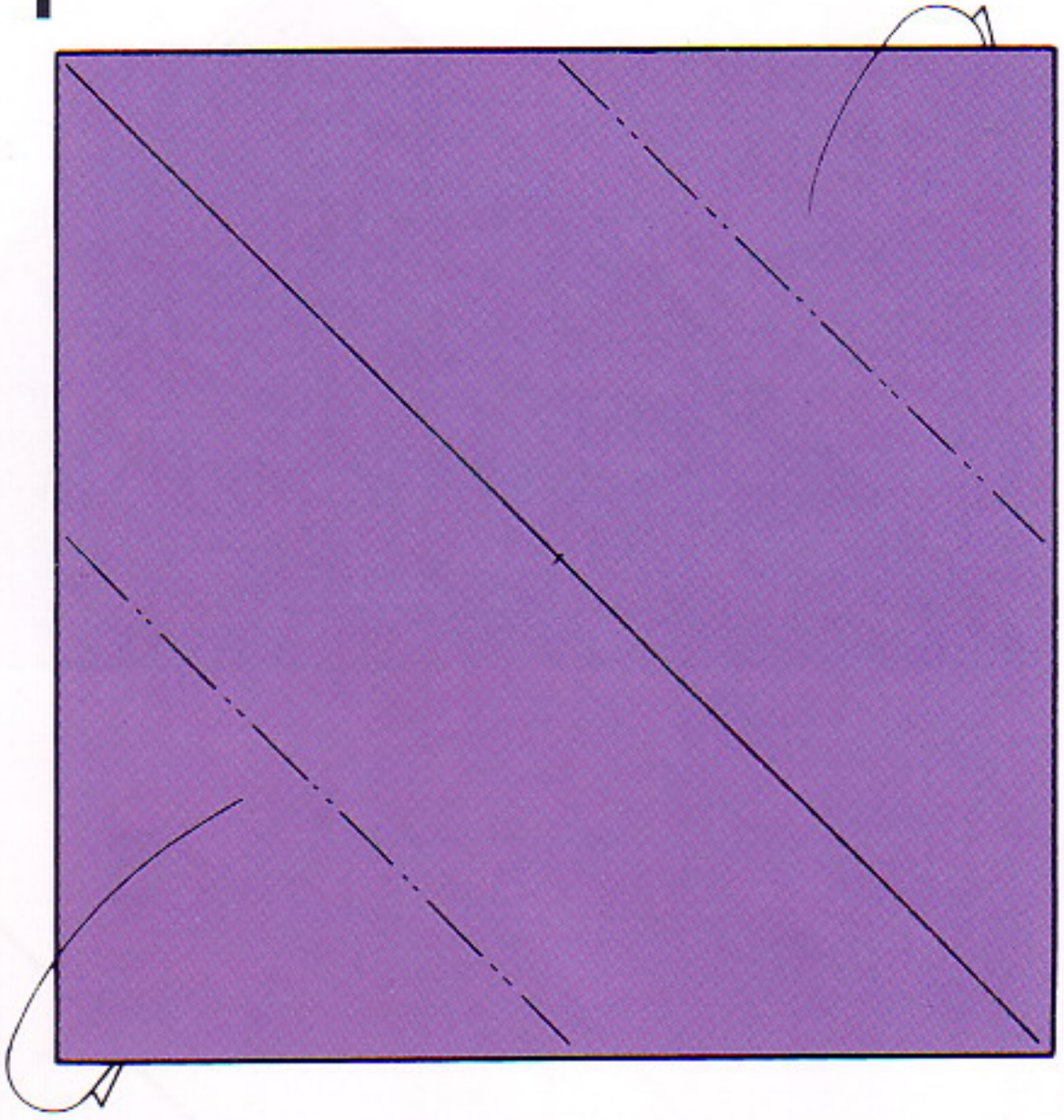


# BOX

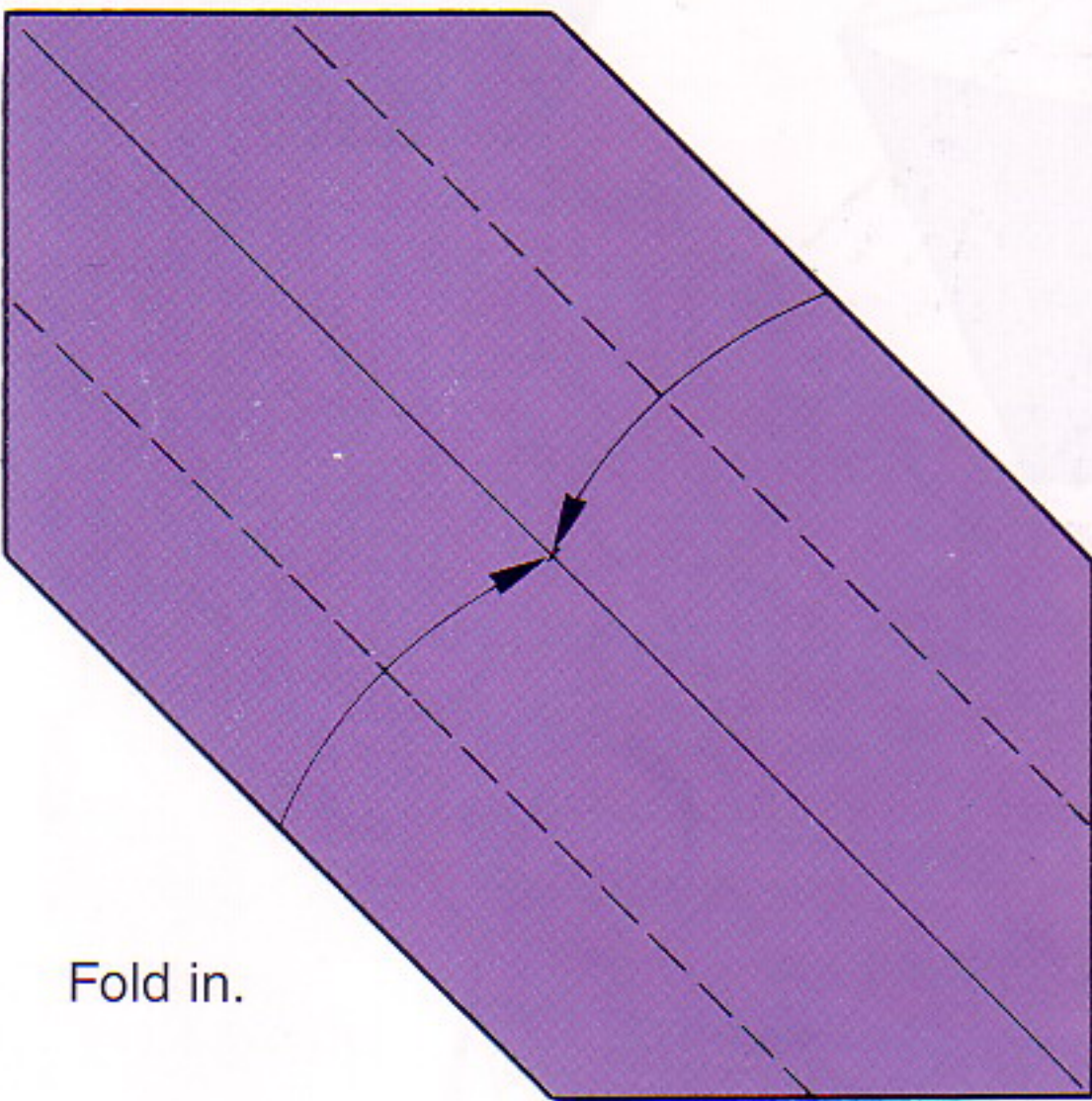


1

Fold back.

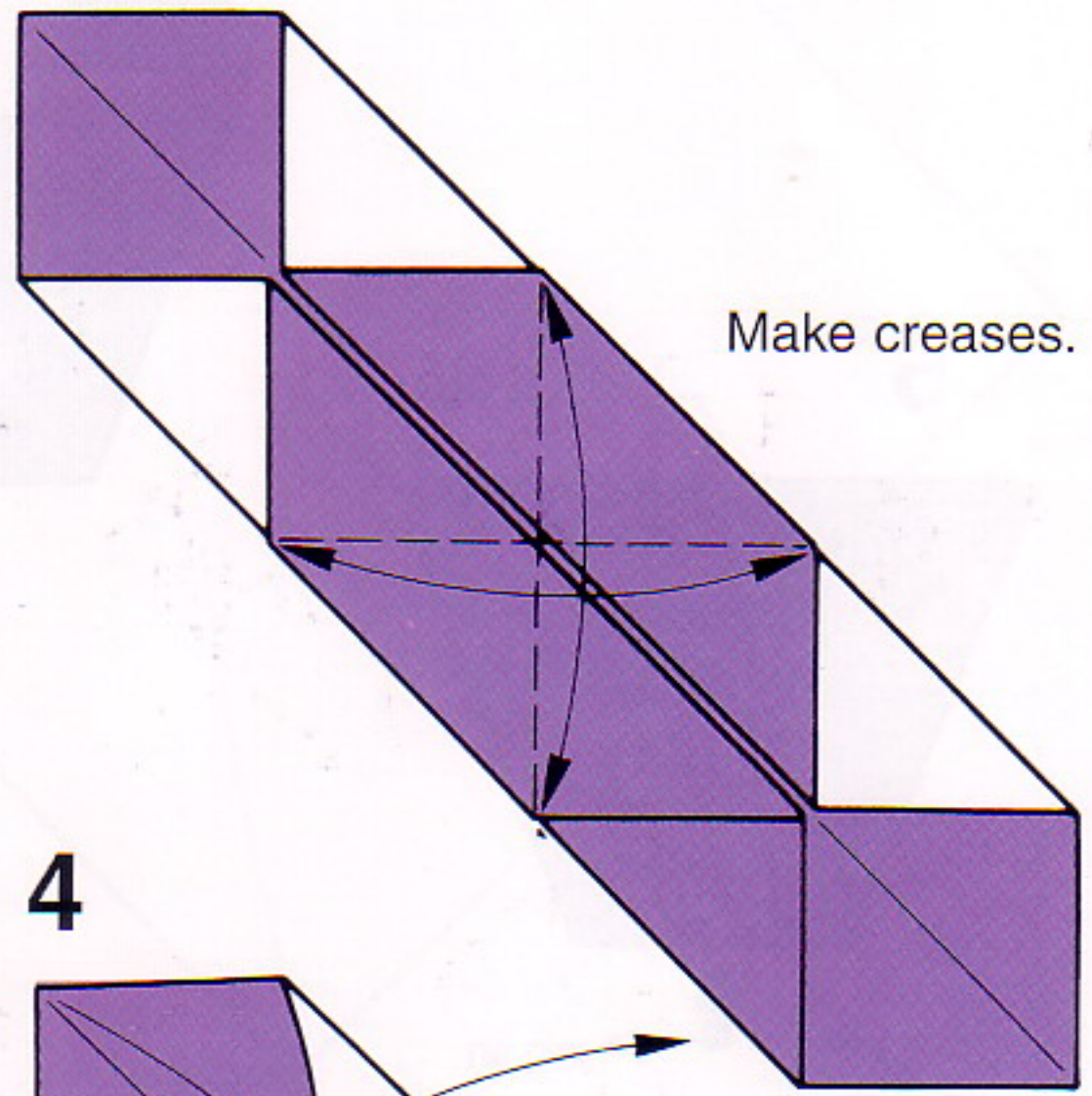


2



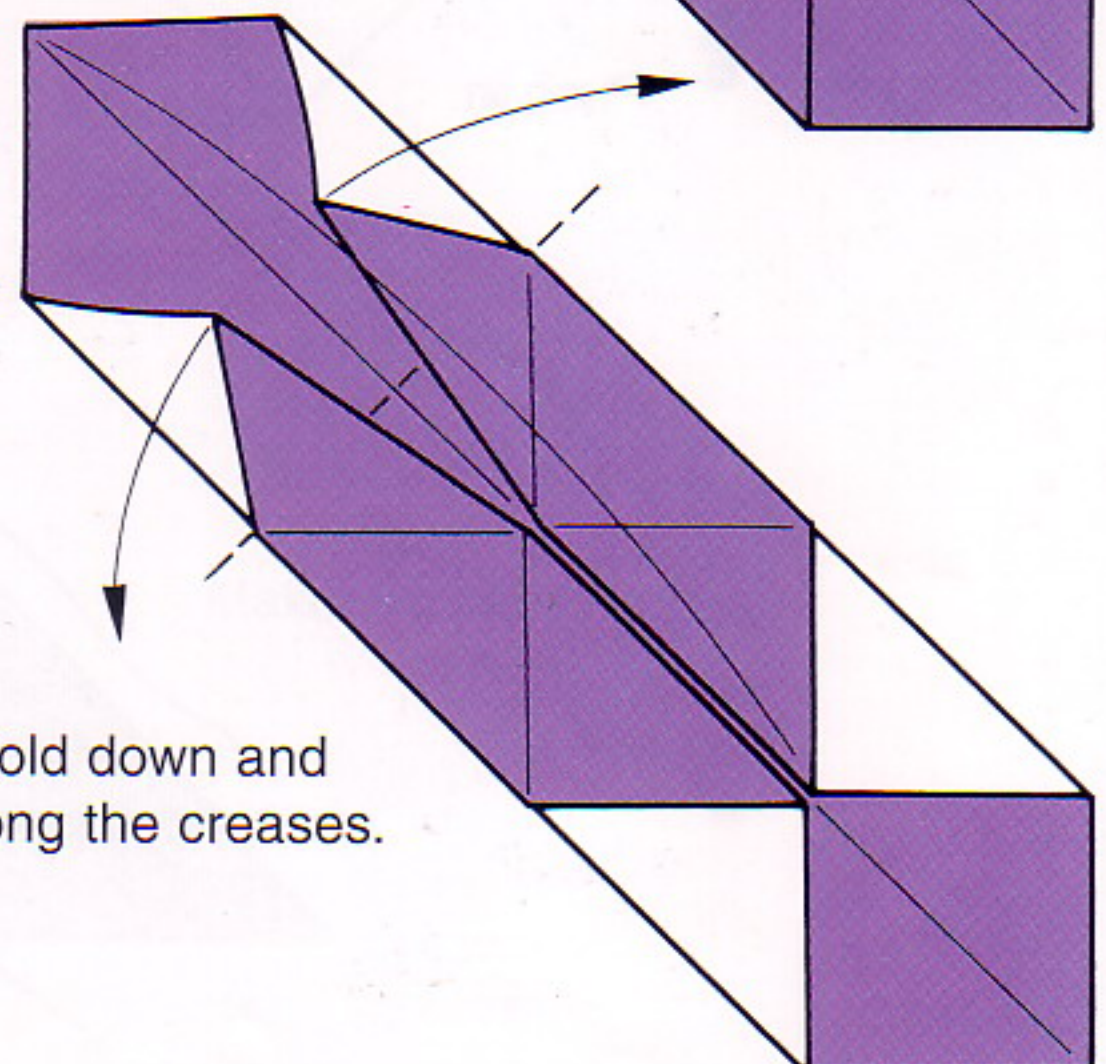
Fold in.

3



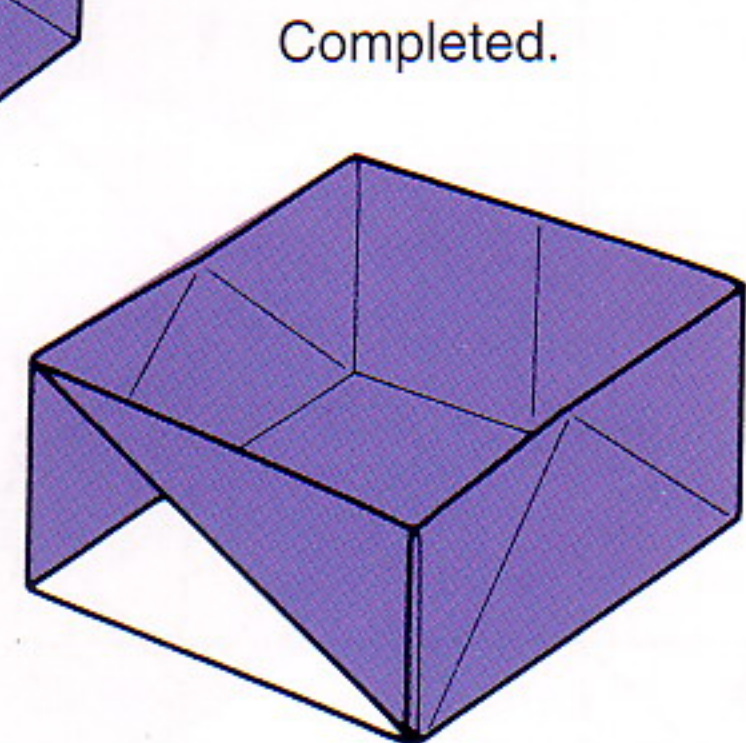
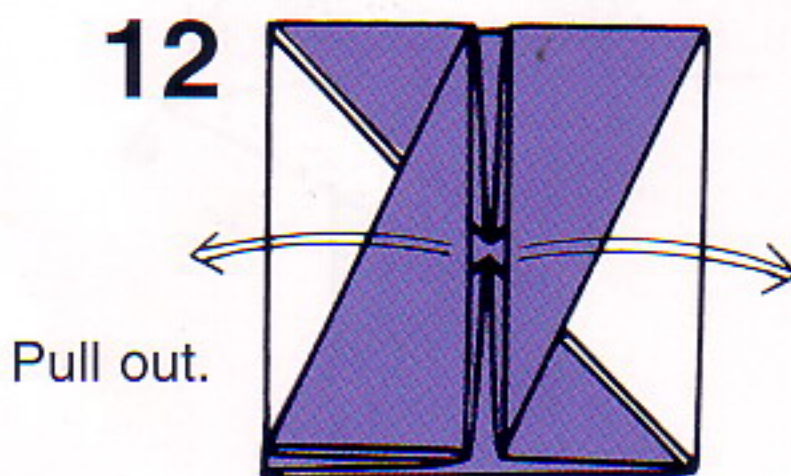
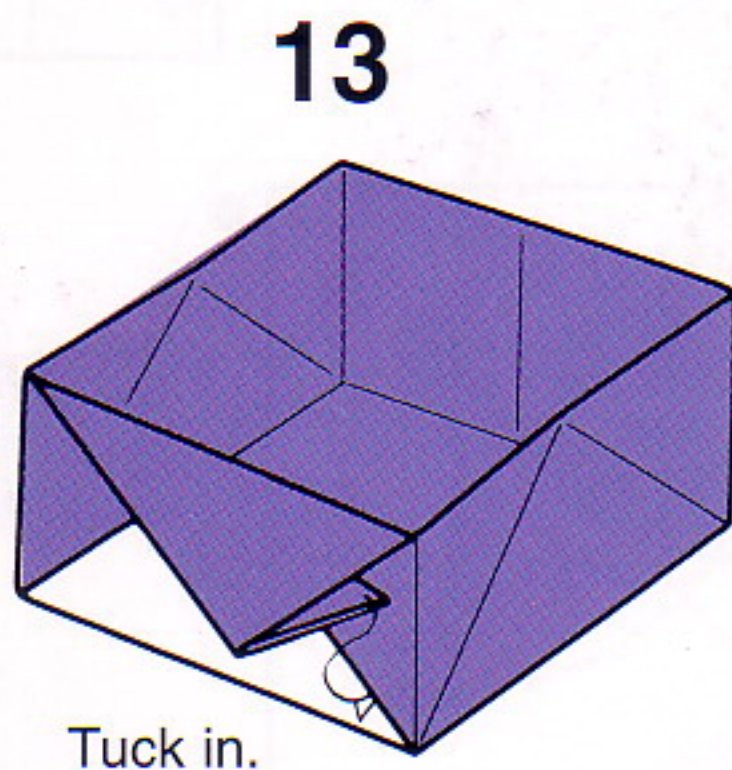
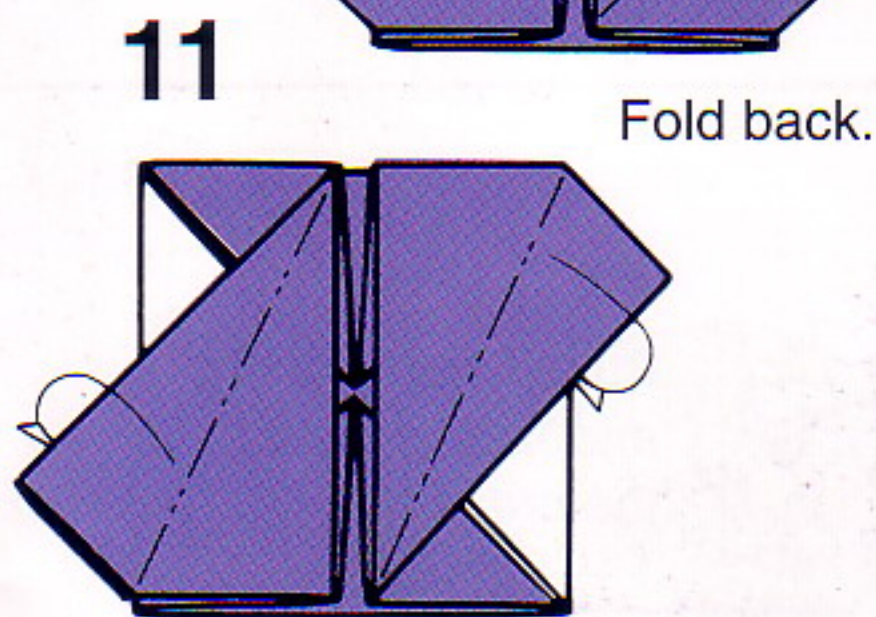
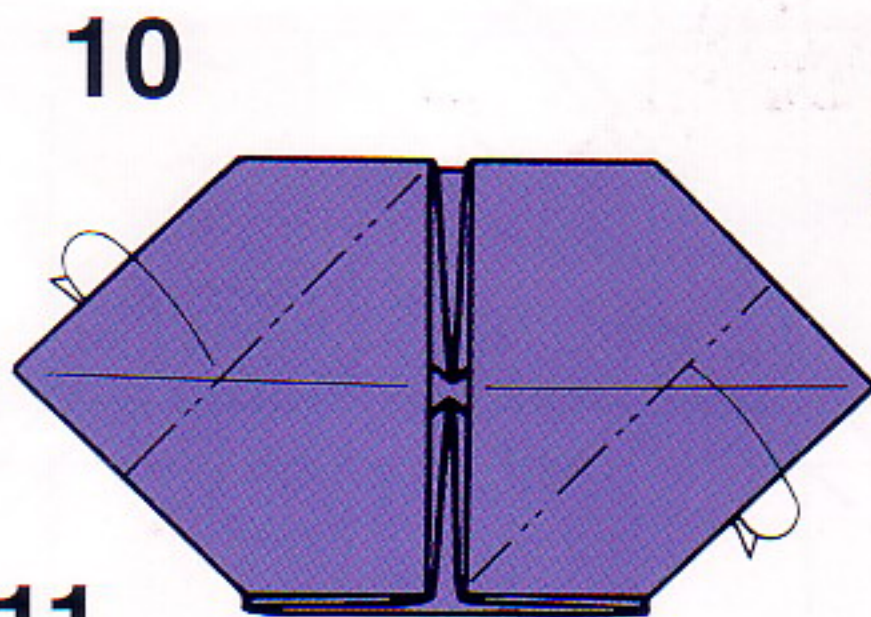
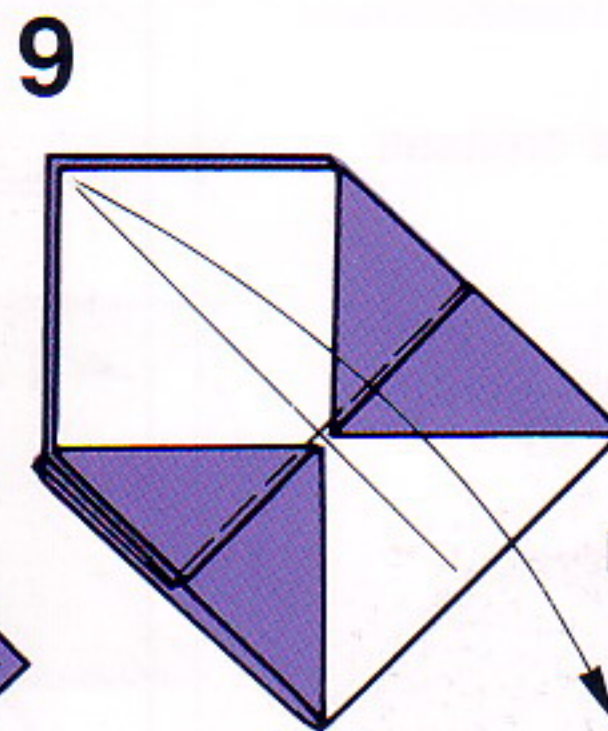
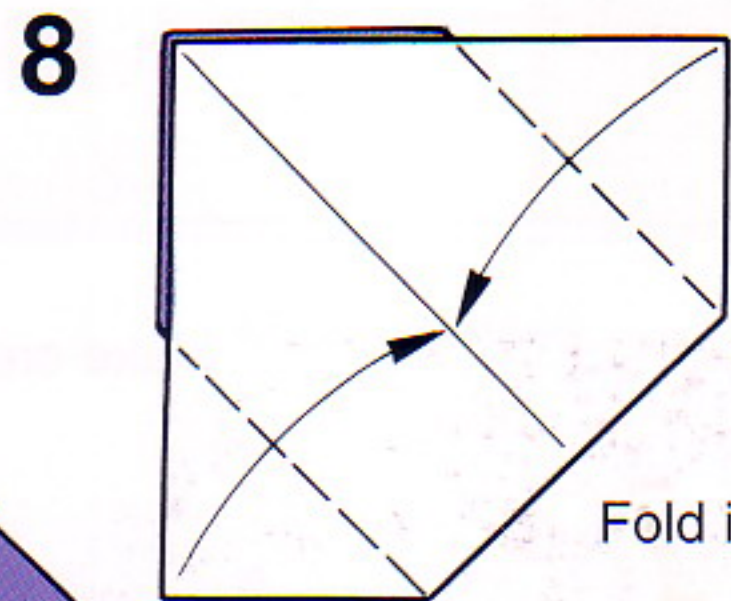
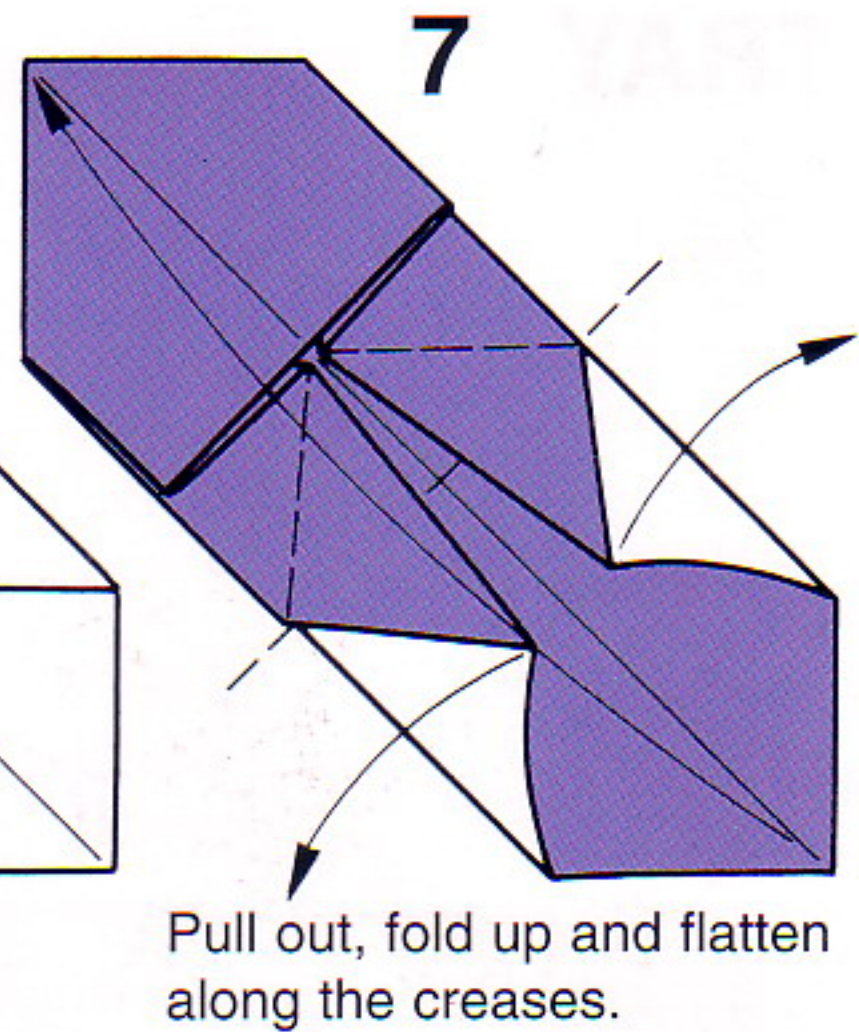
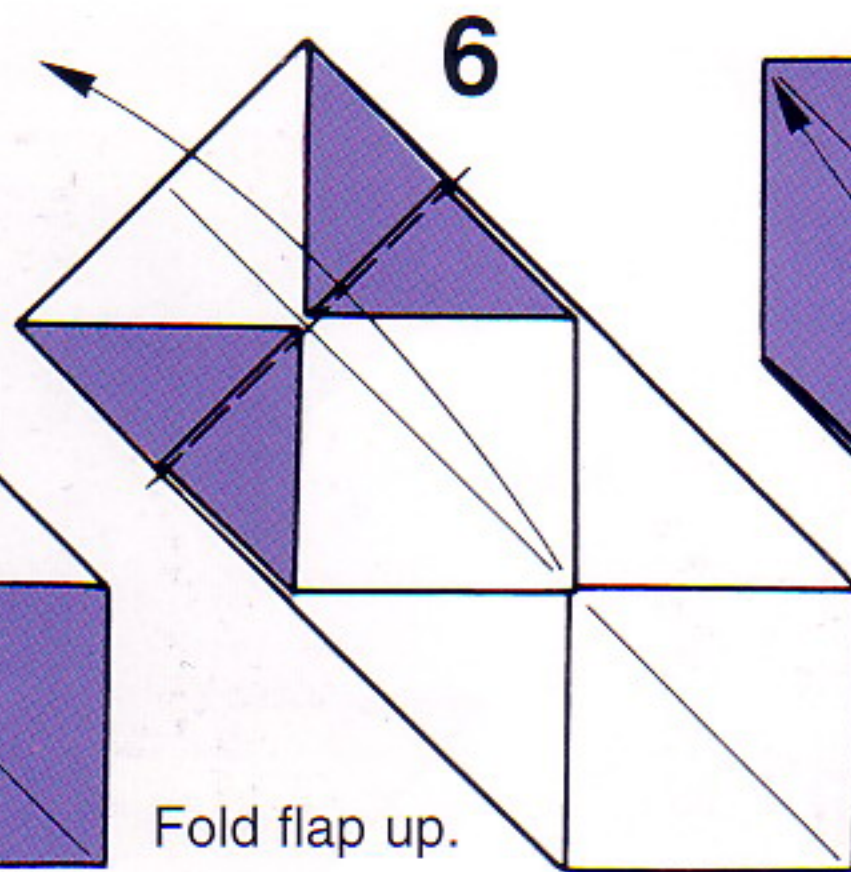
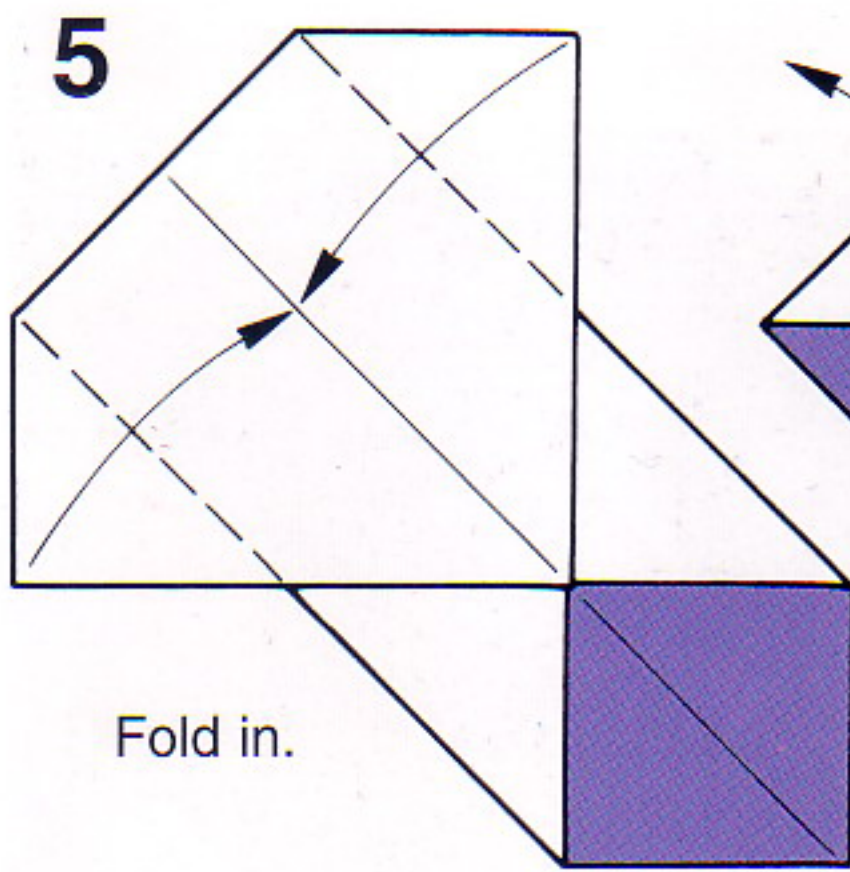
Make creases.

4



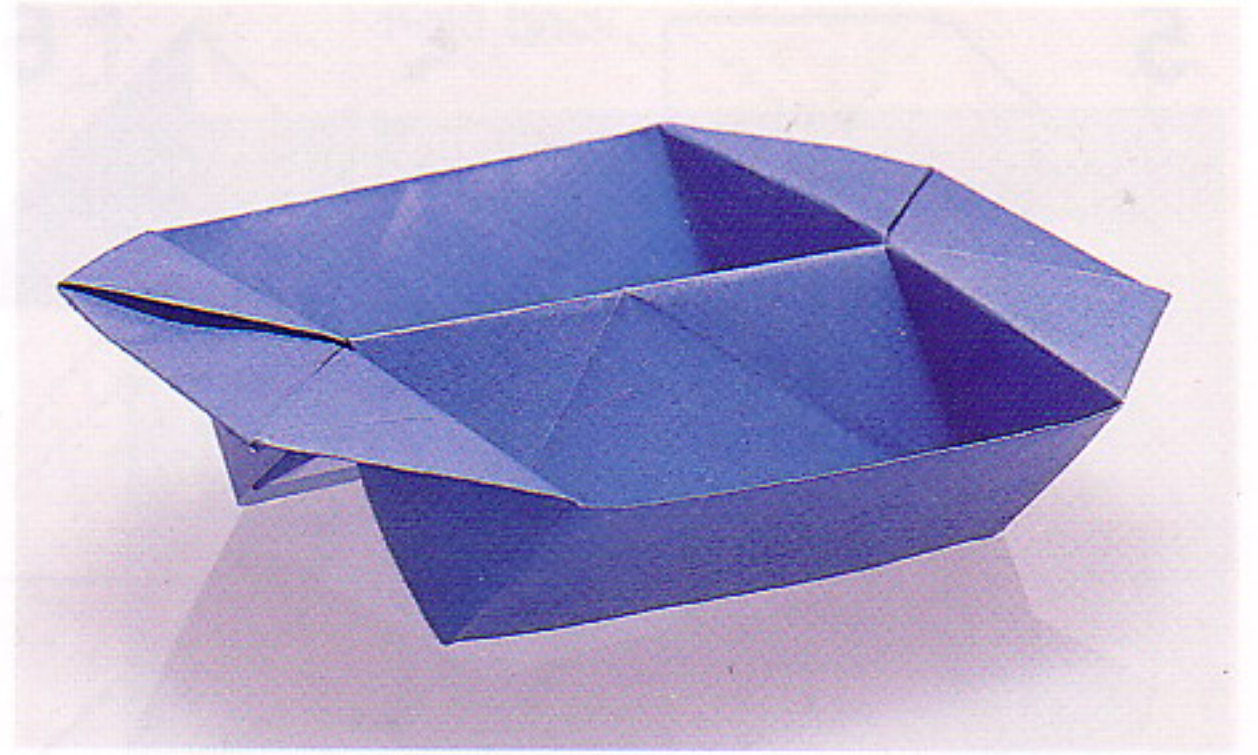
Pull out, fold down and flatten along the creases.



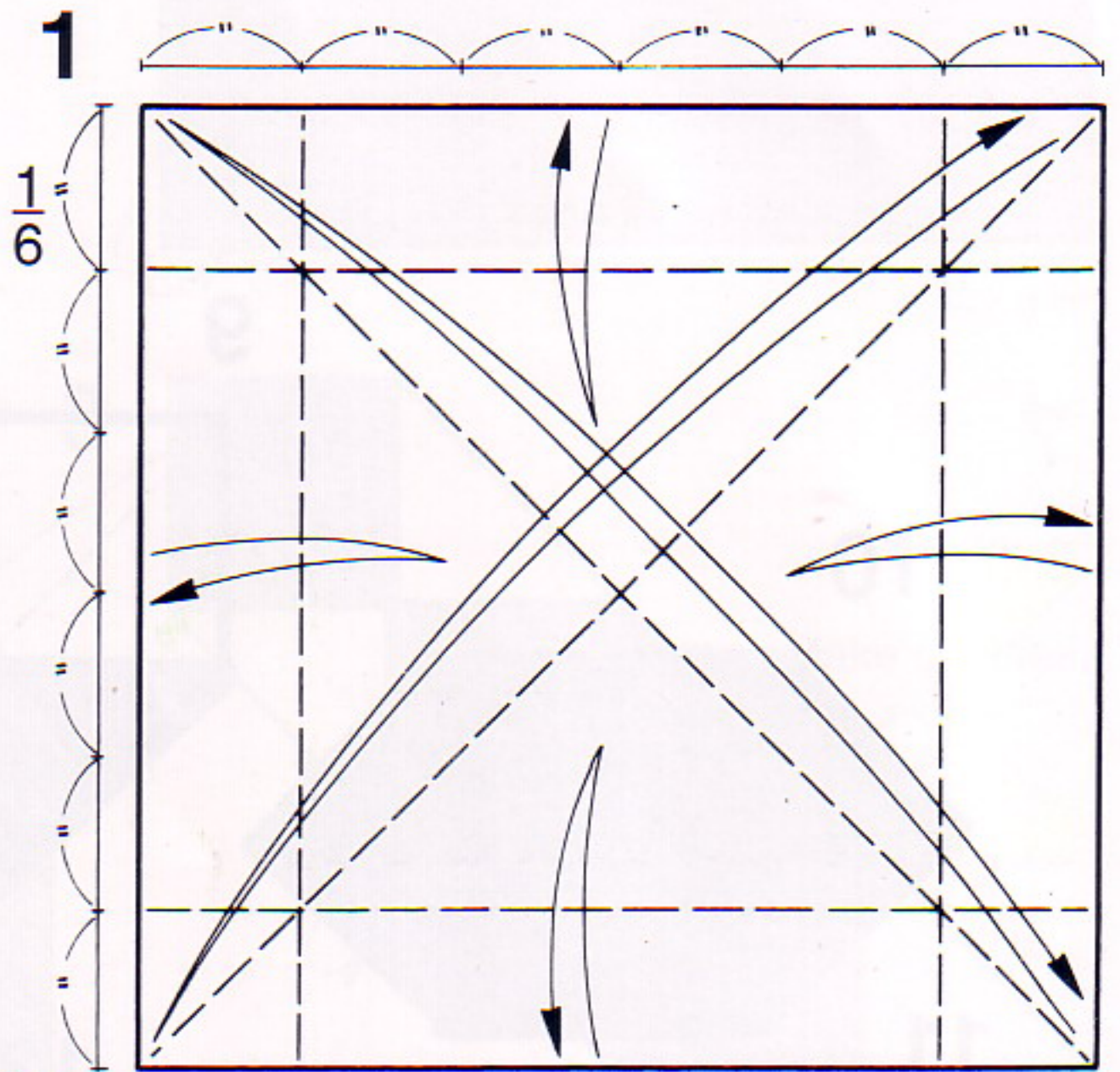




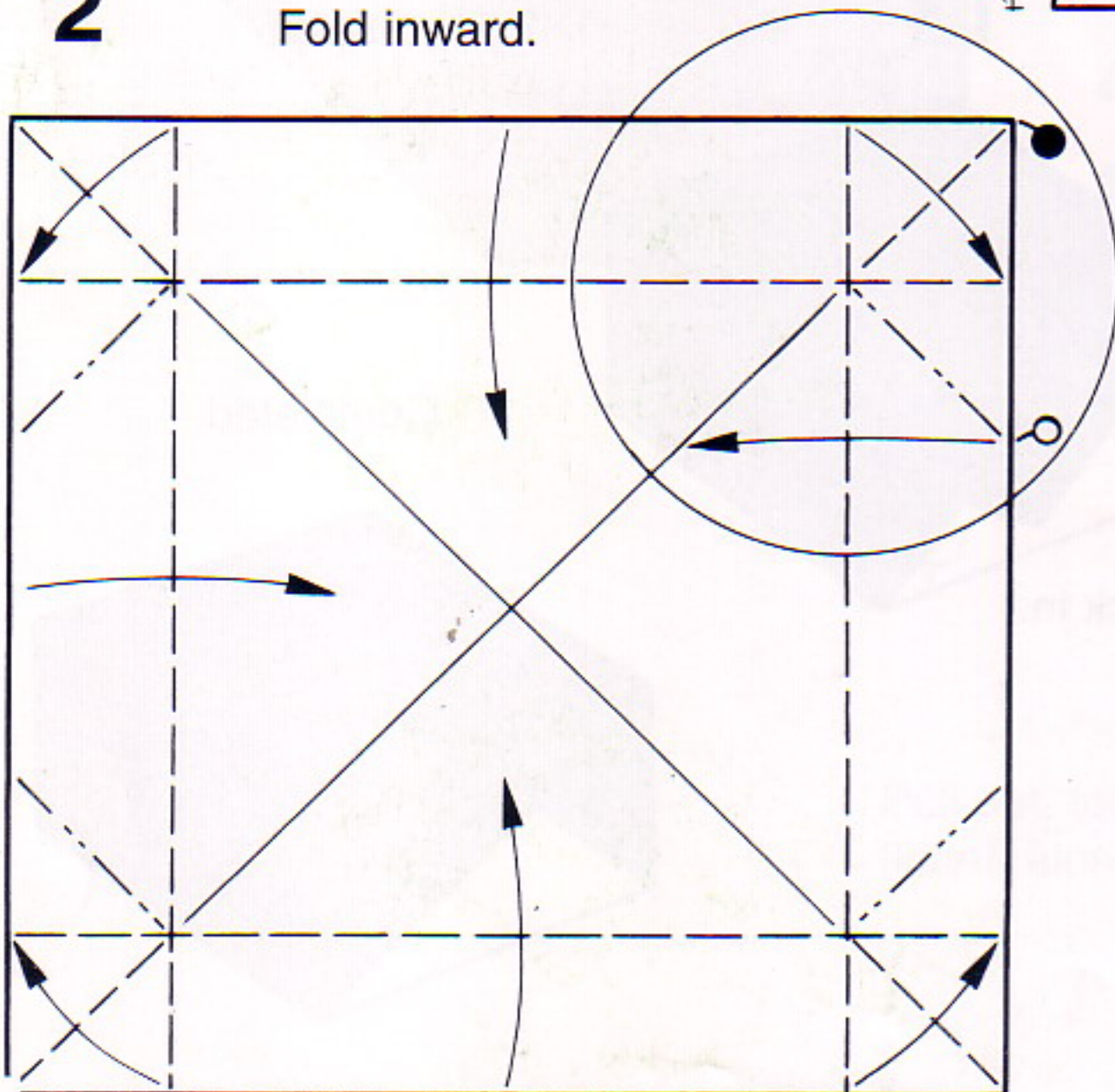
# TRAY



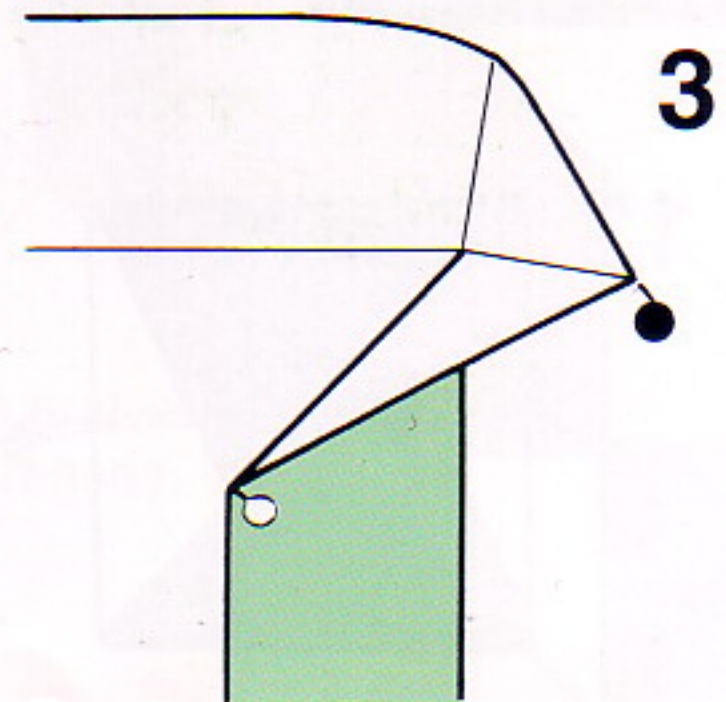
Make creases.



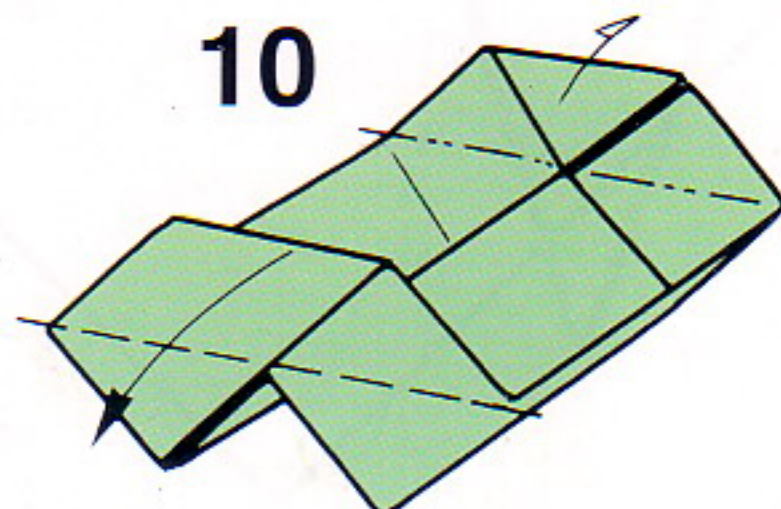
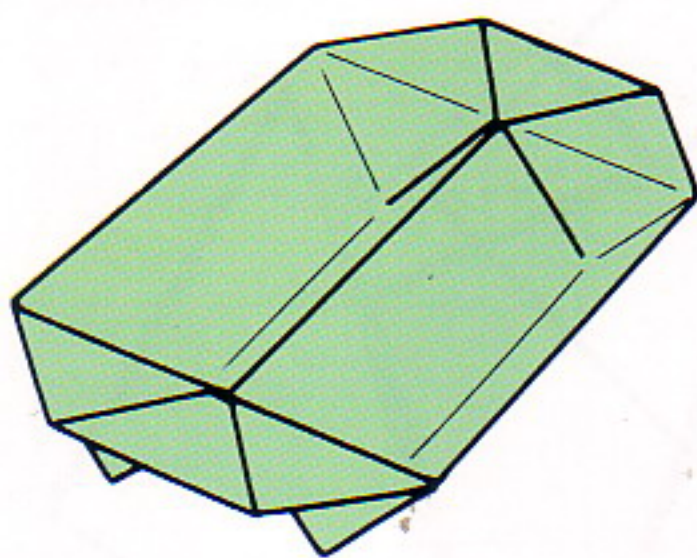
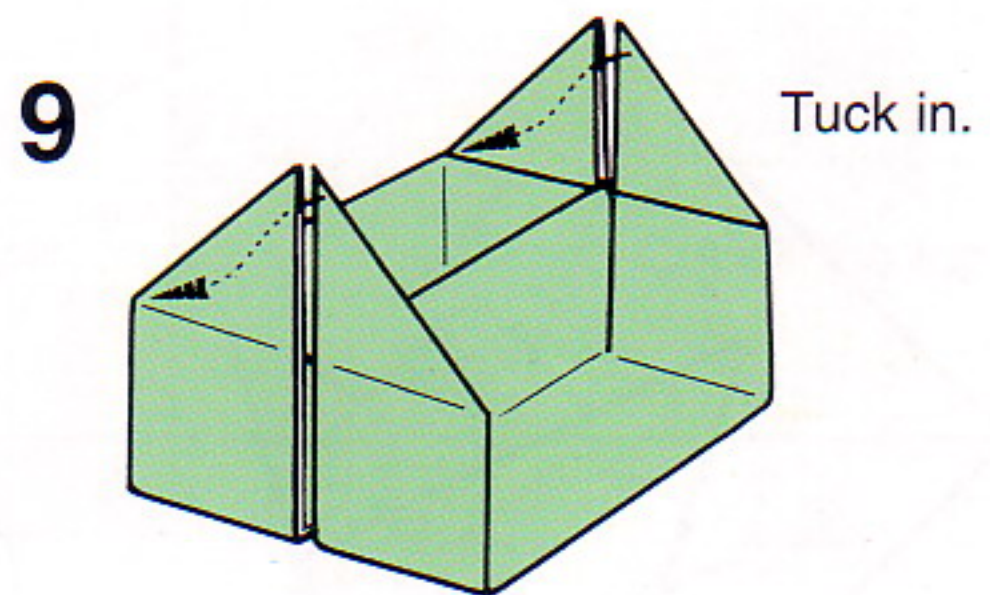
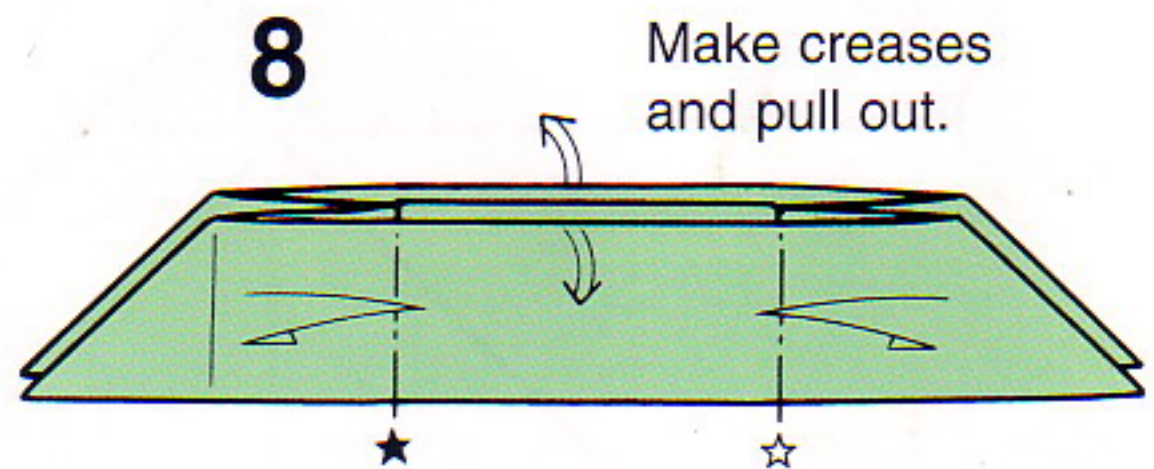
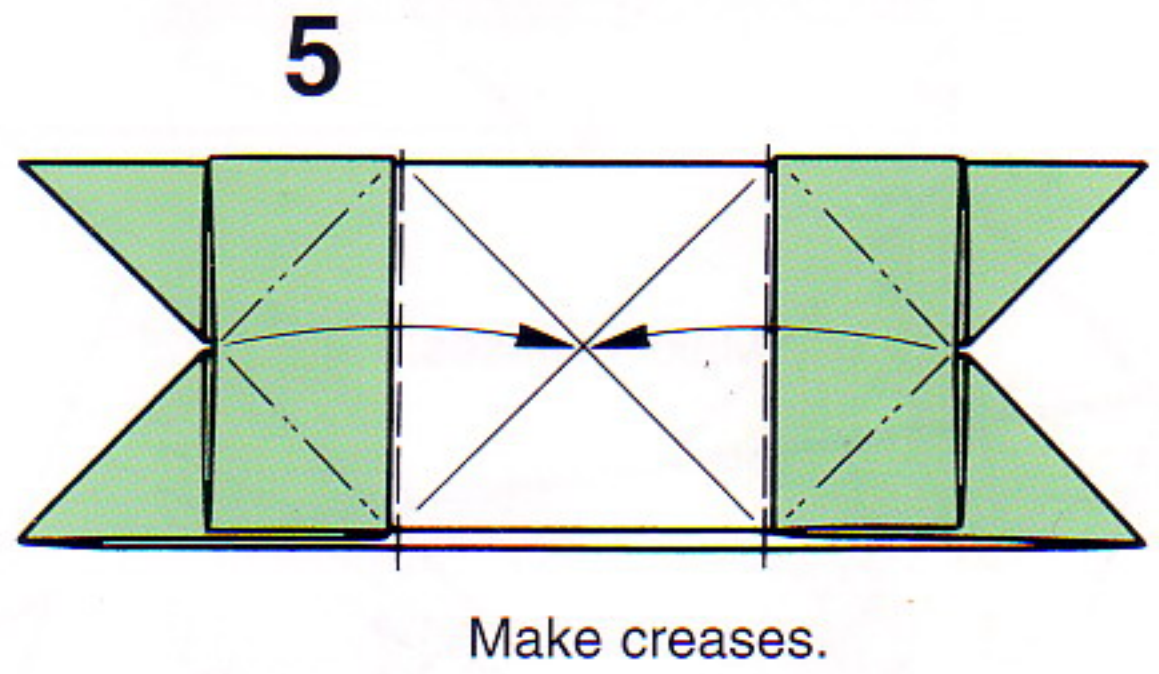
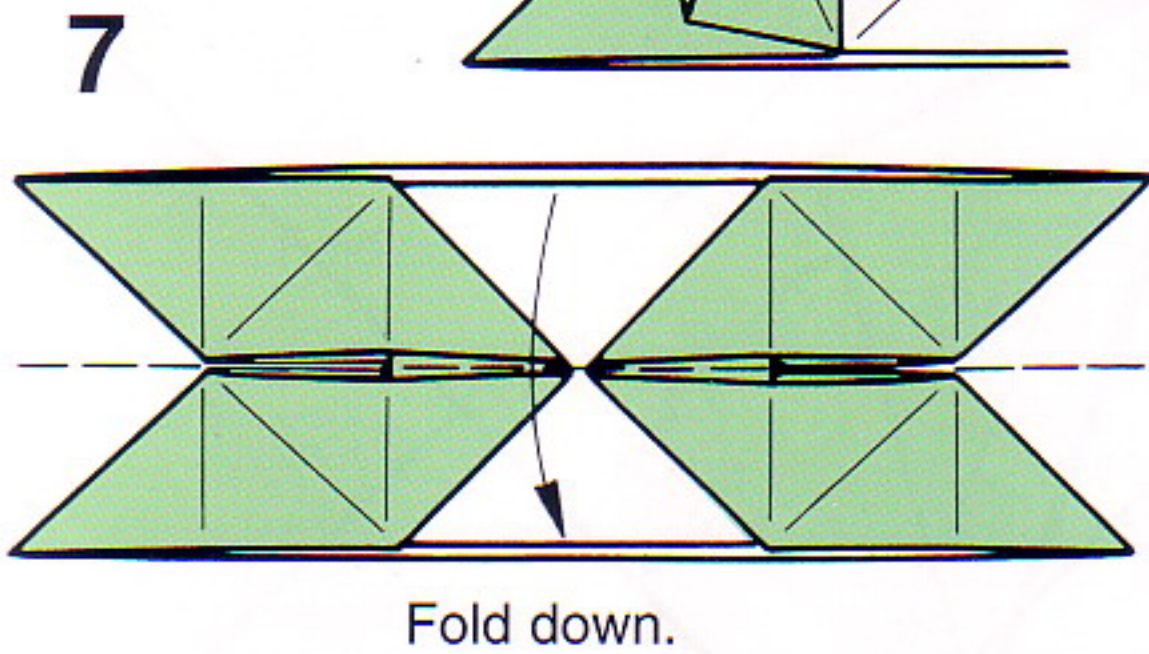
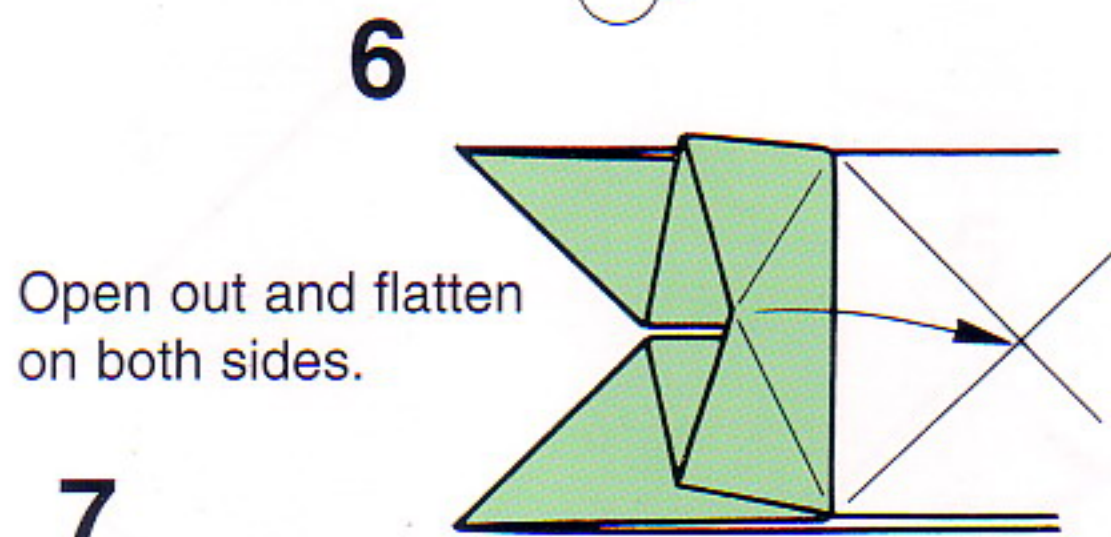
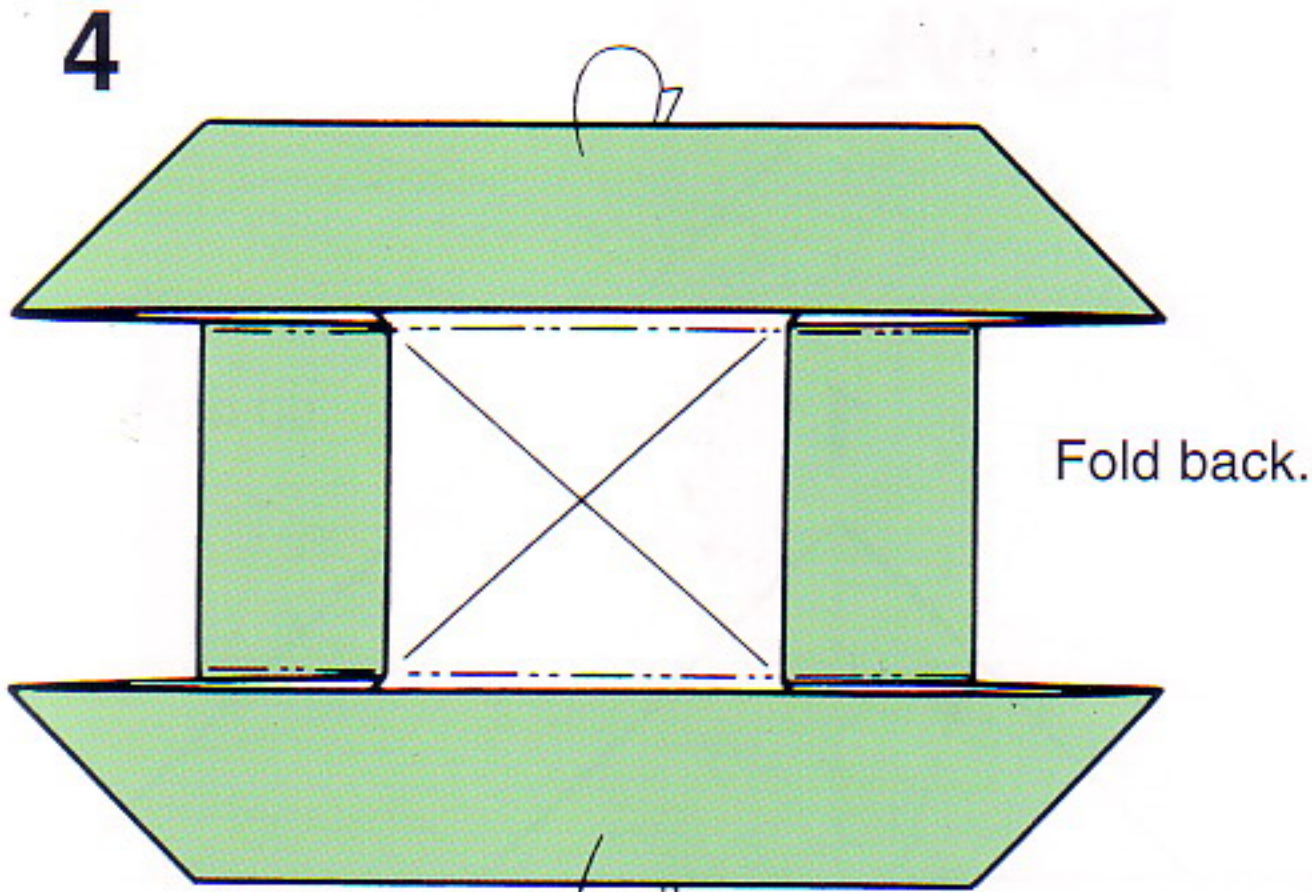
**2** Fold inward.



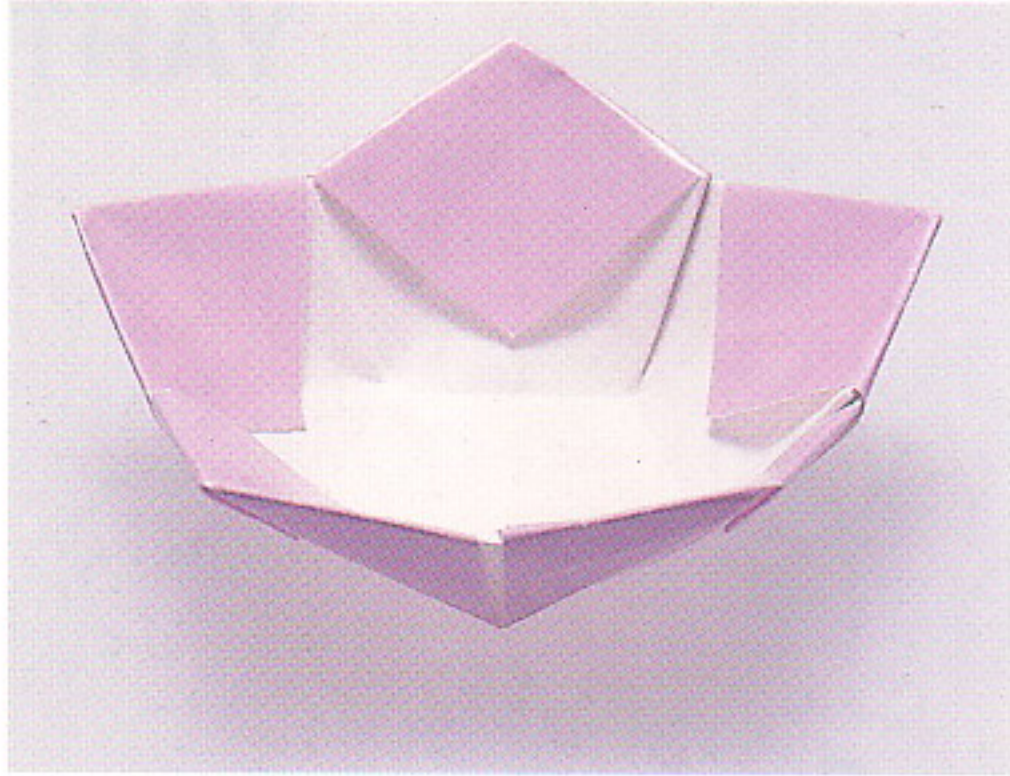
Pull all corners out and flatten along the creases.





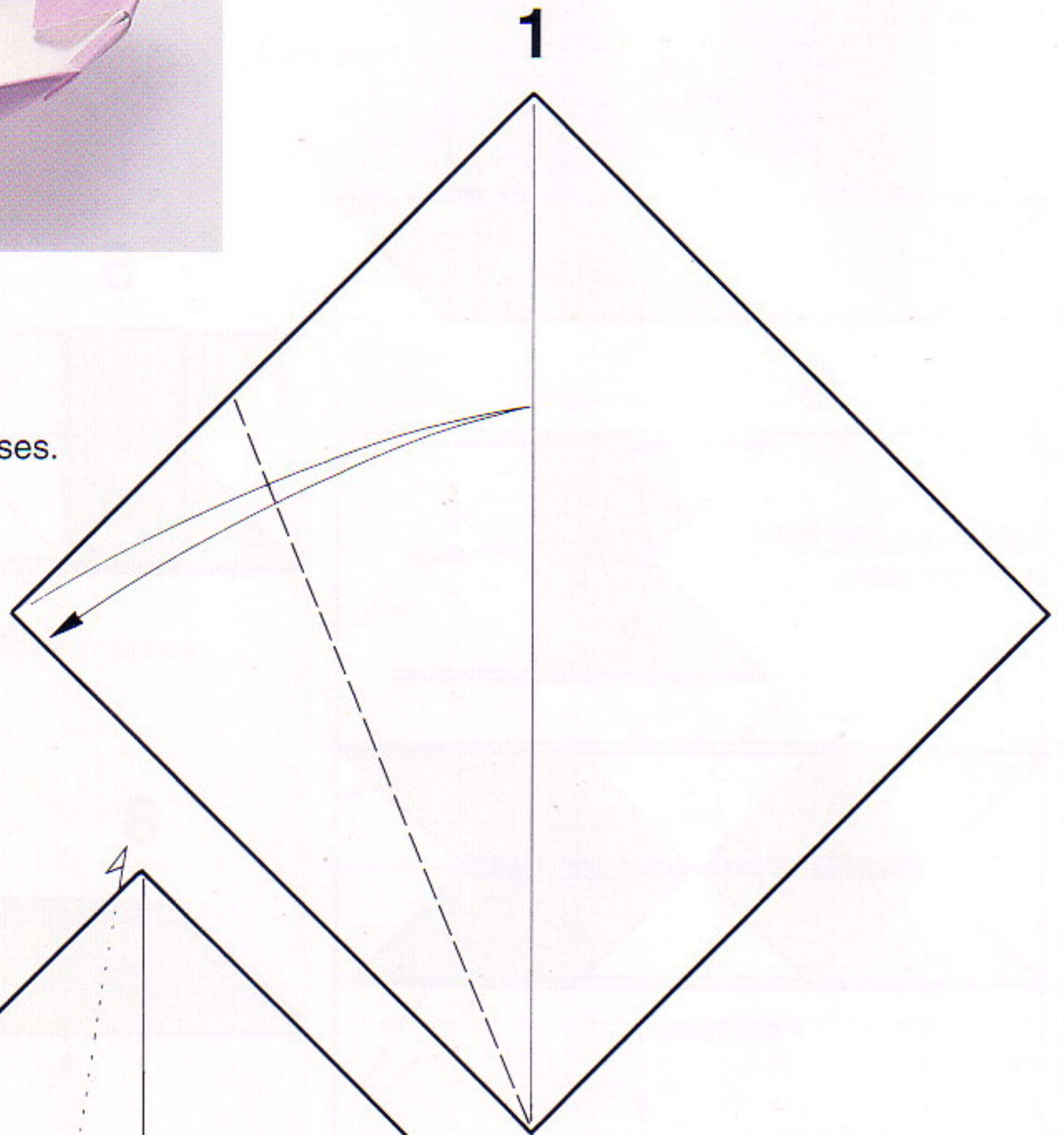






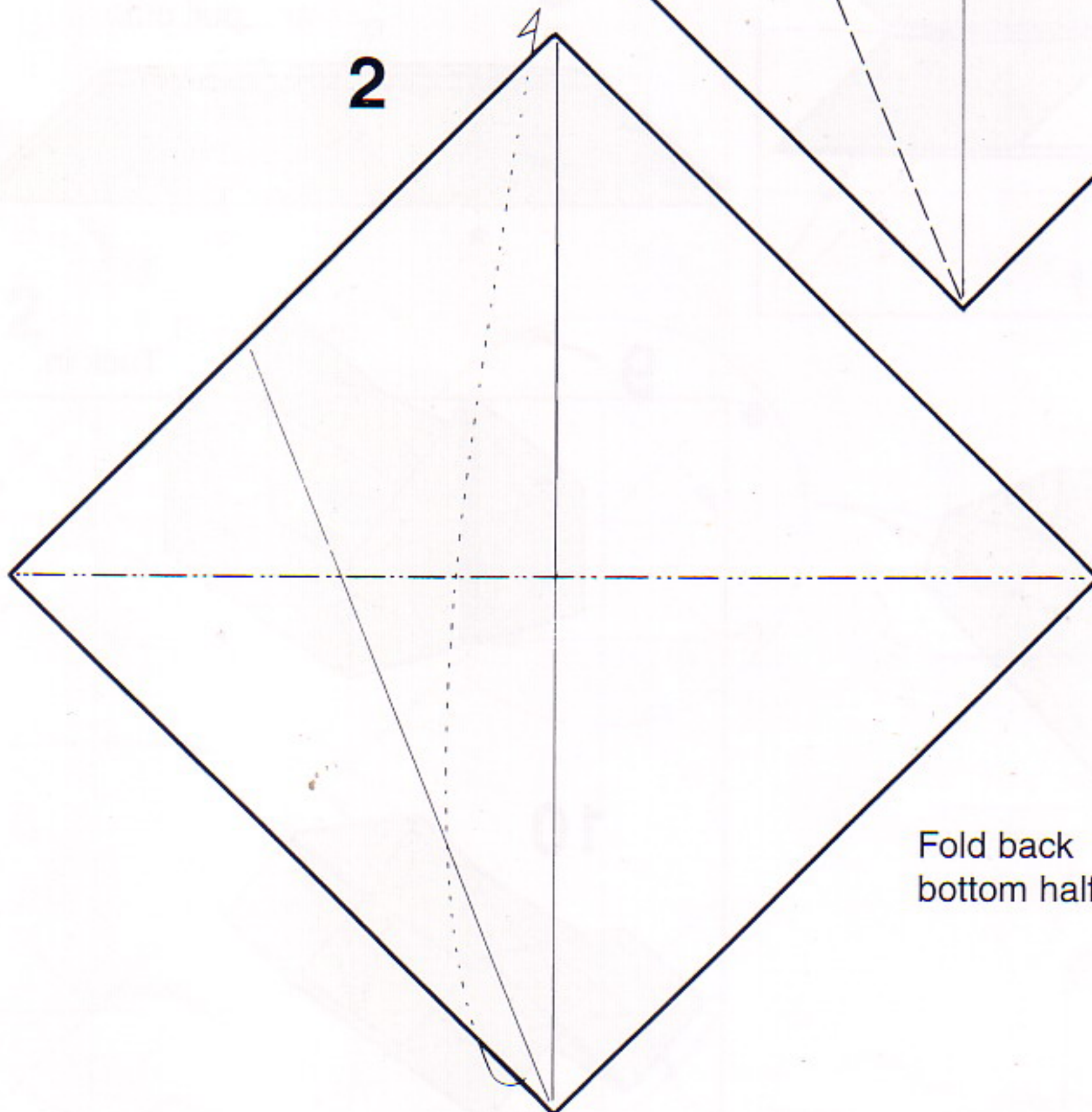
# BOWL

Make creases.



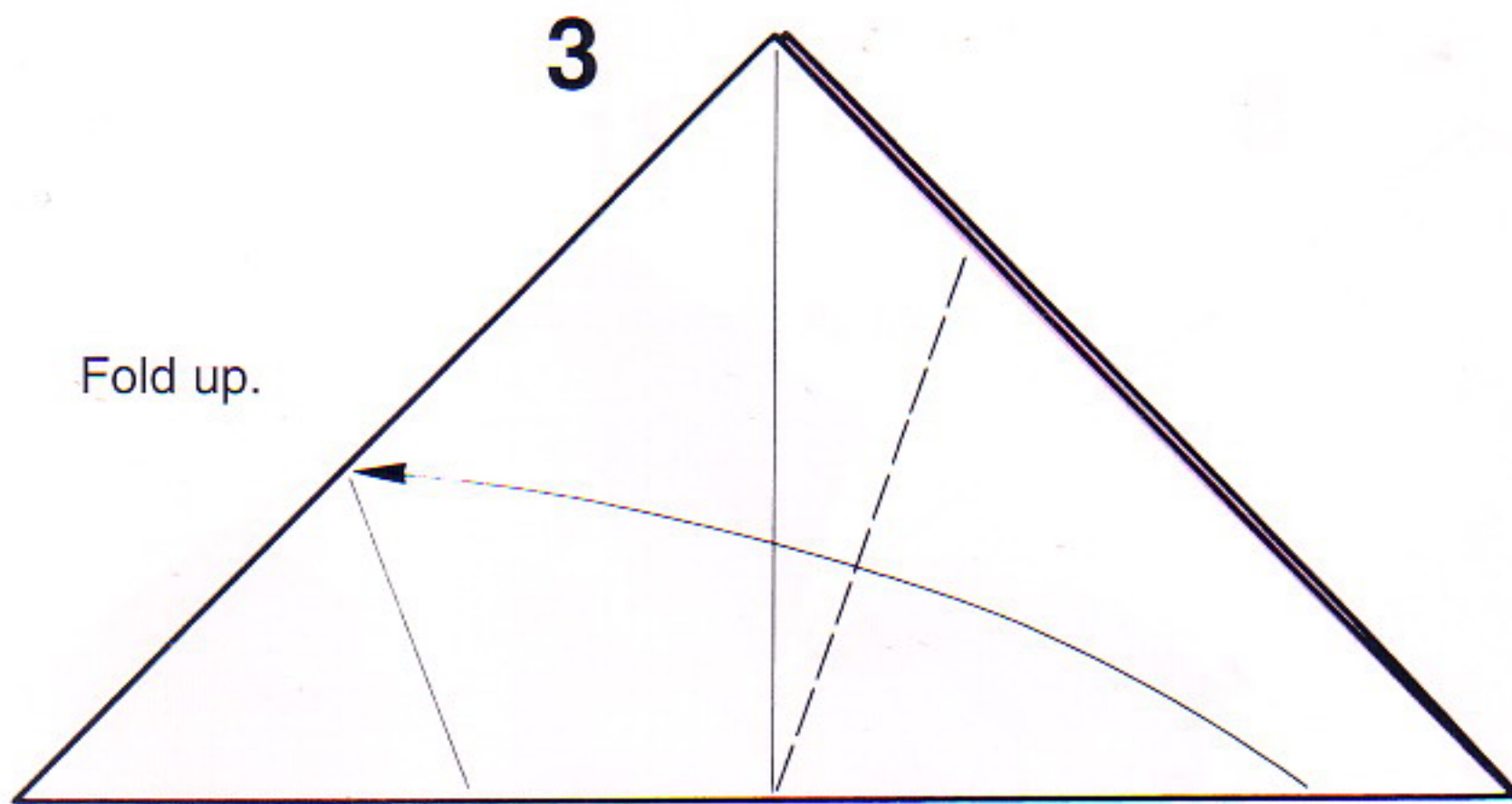
1

2

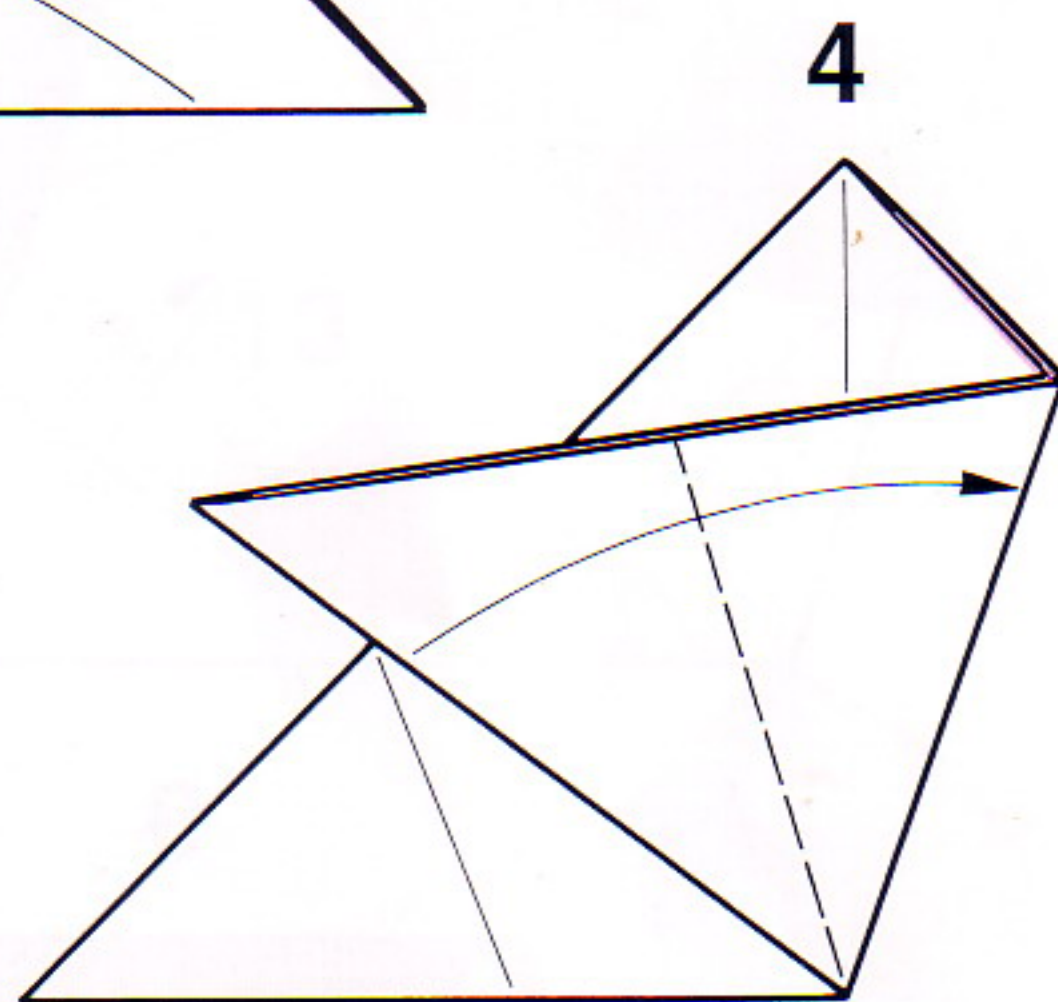


Fold back  
bottom half.

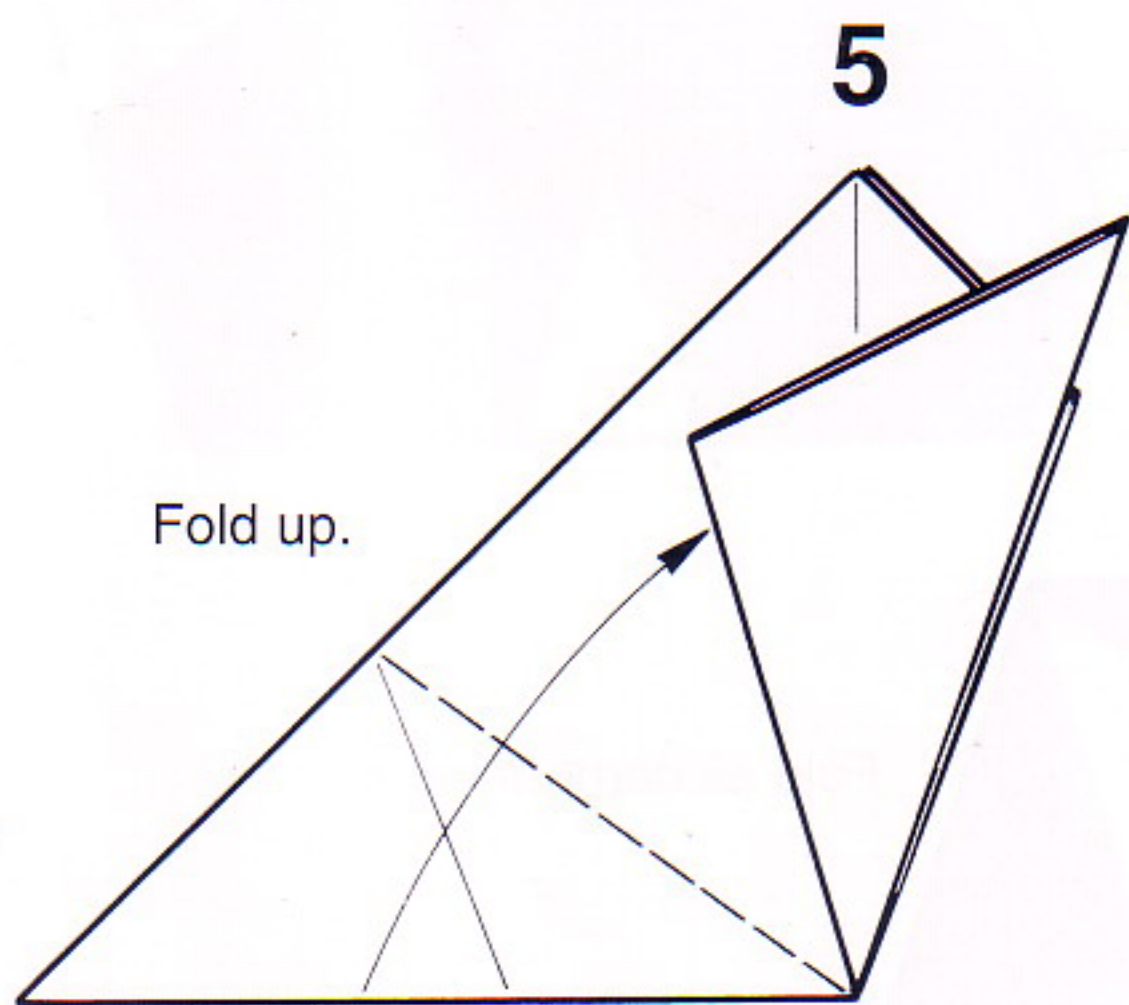




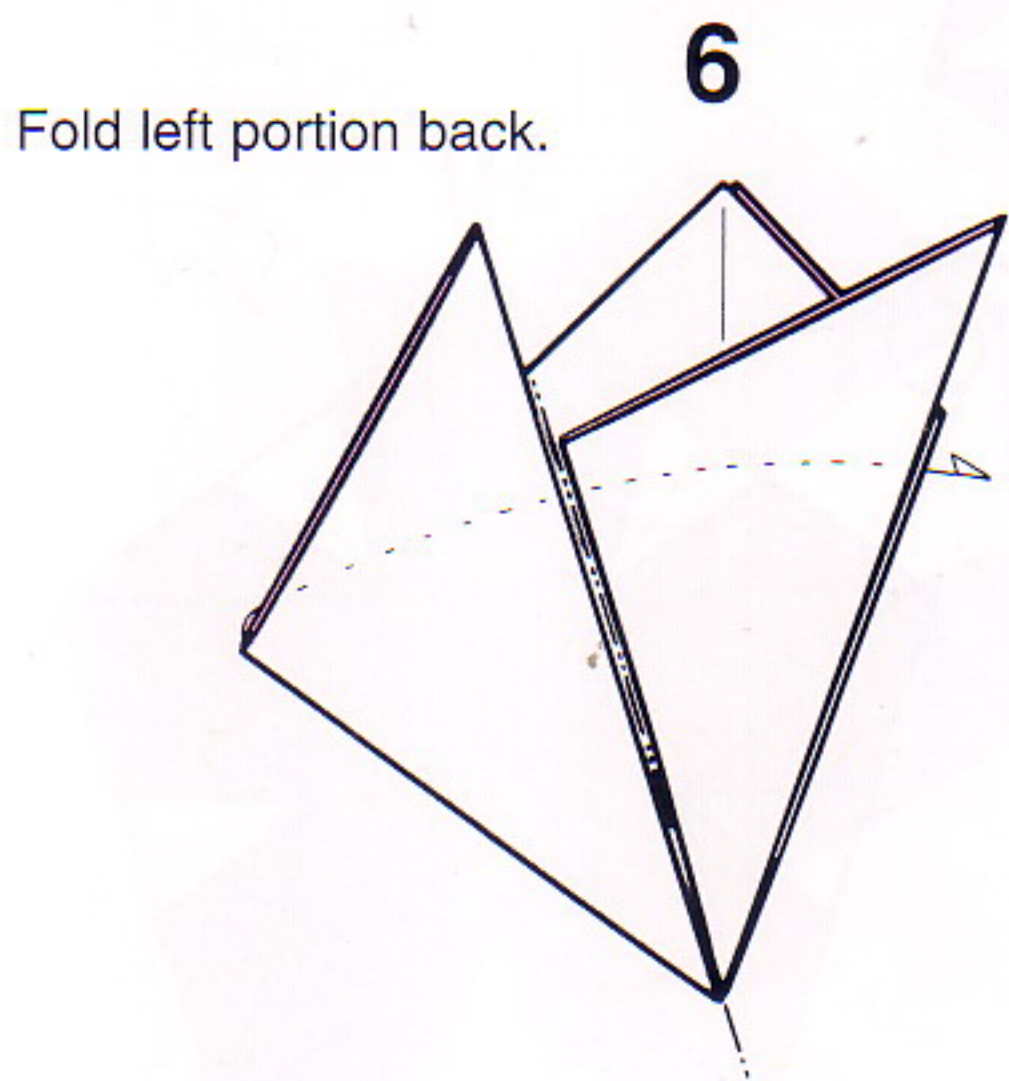
Fold up.



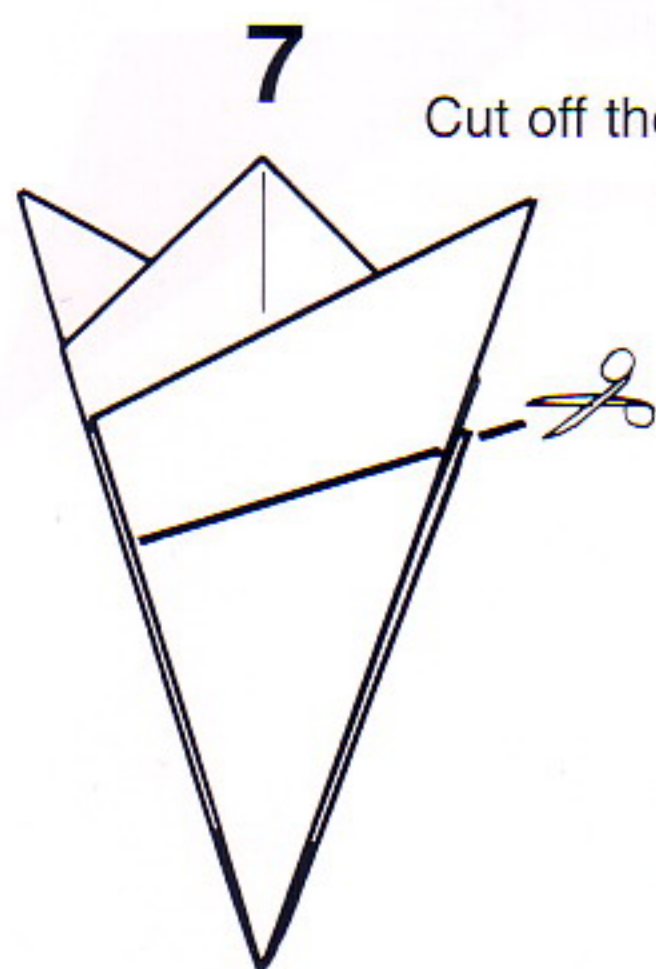
Fold in half.



Fold up.



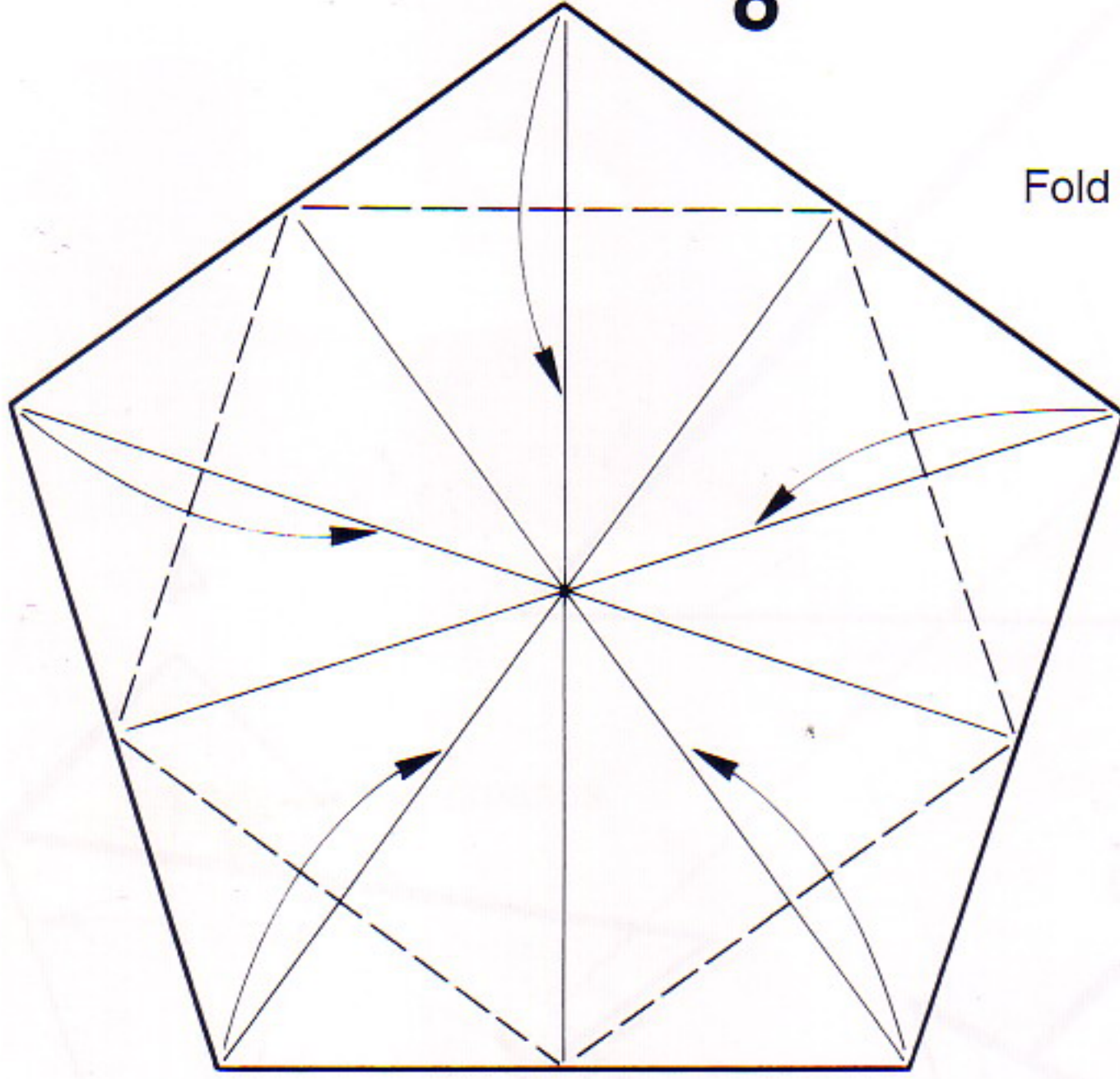
Fold left portion back.



Cut off the top.

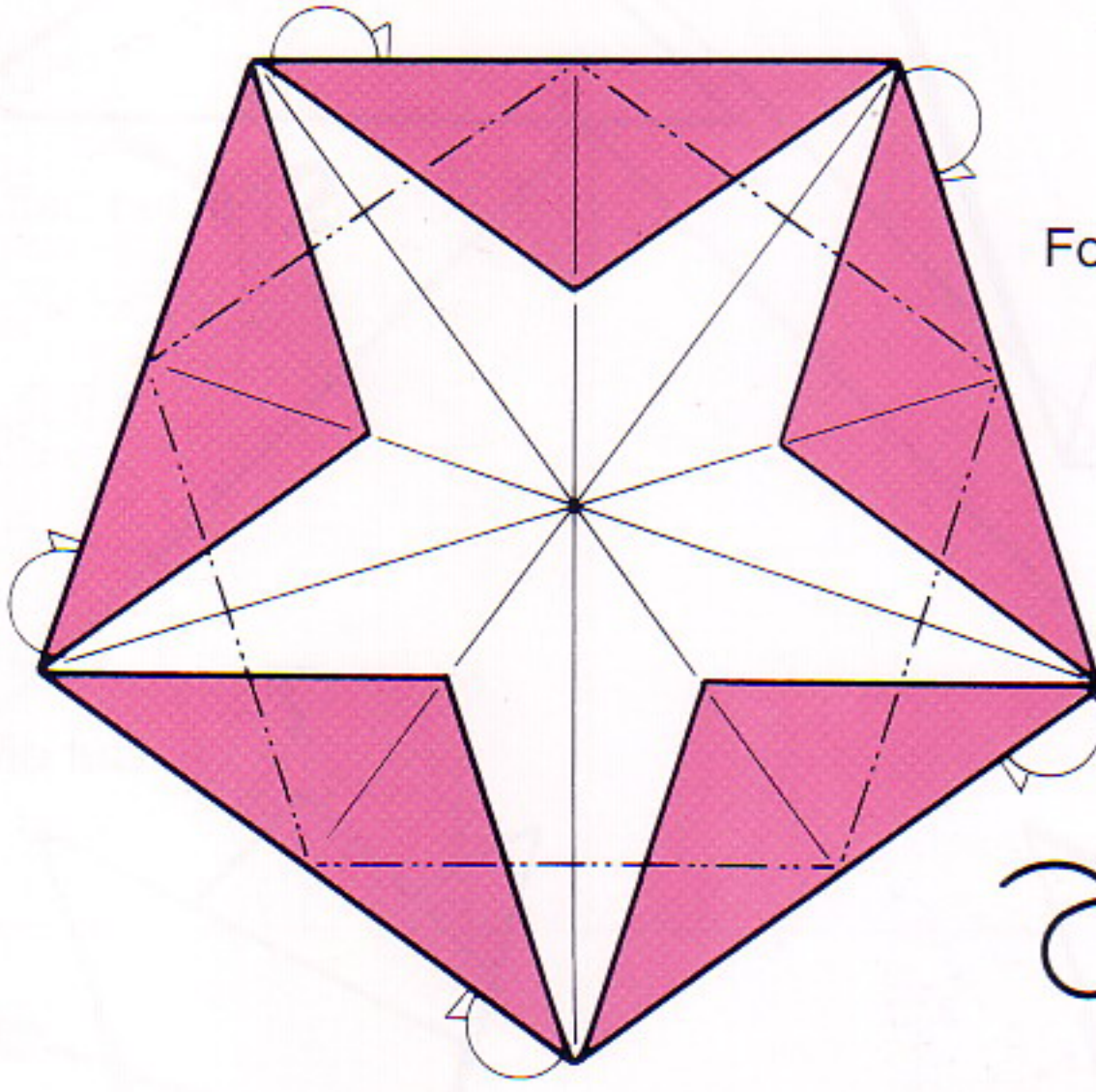


8



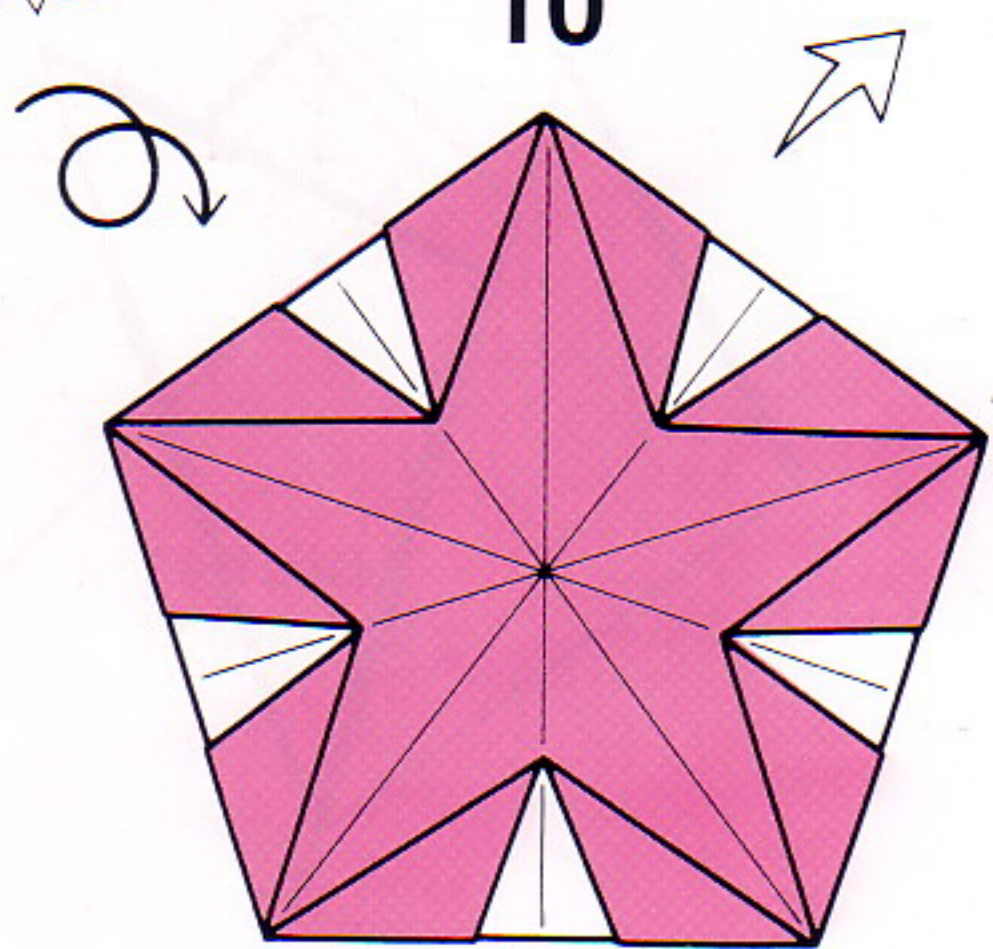
Fold all corners inward.

9



Fold all corners back.

10

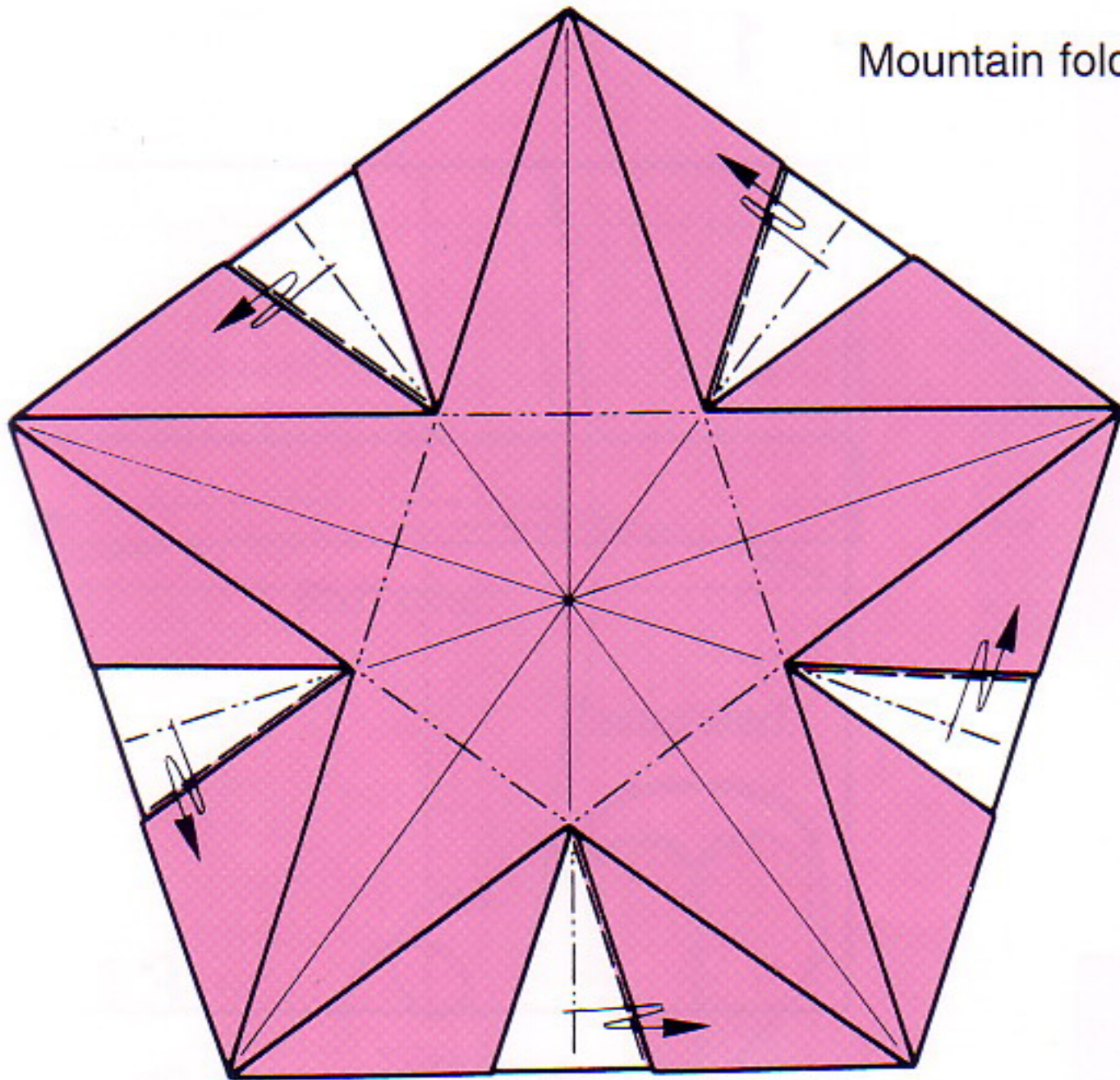


Turn over.

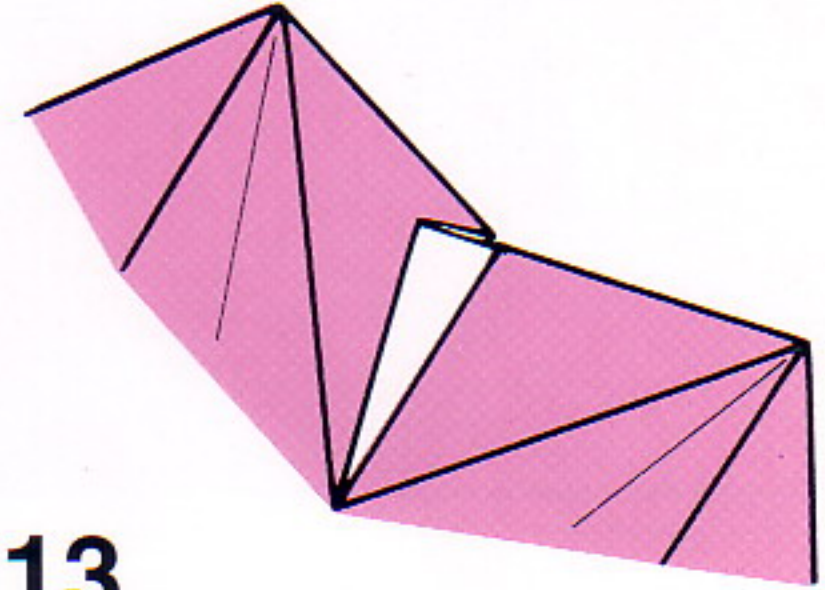


11

Mountain fold.

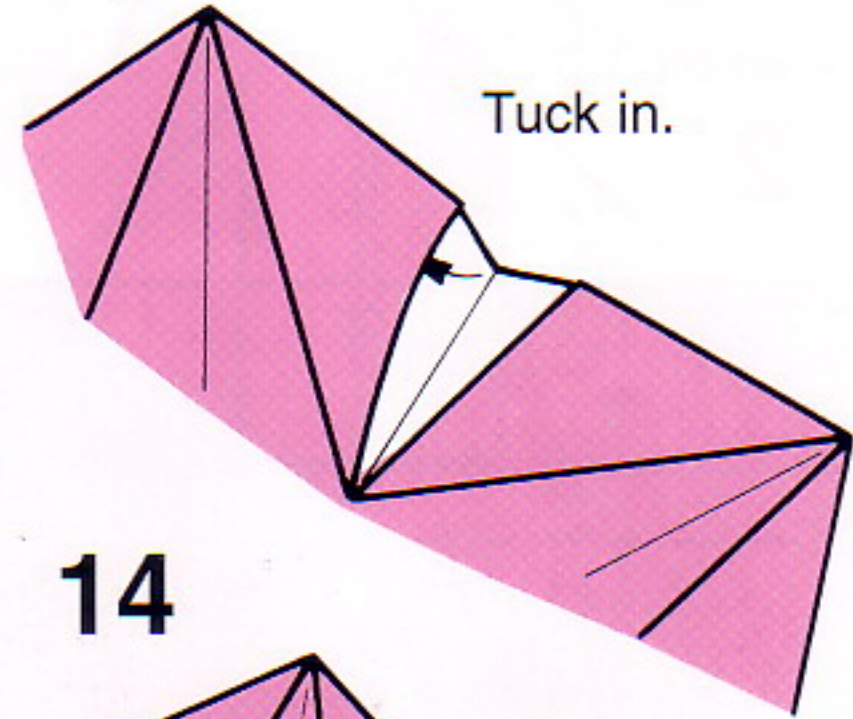


12

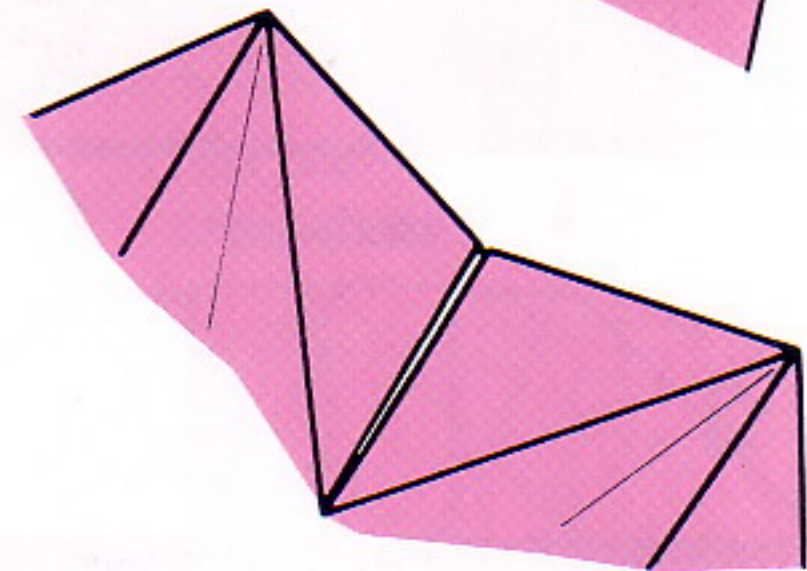


13

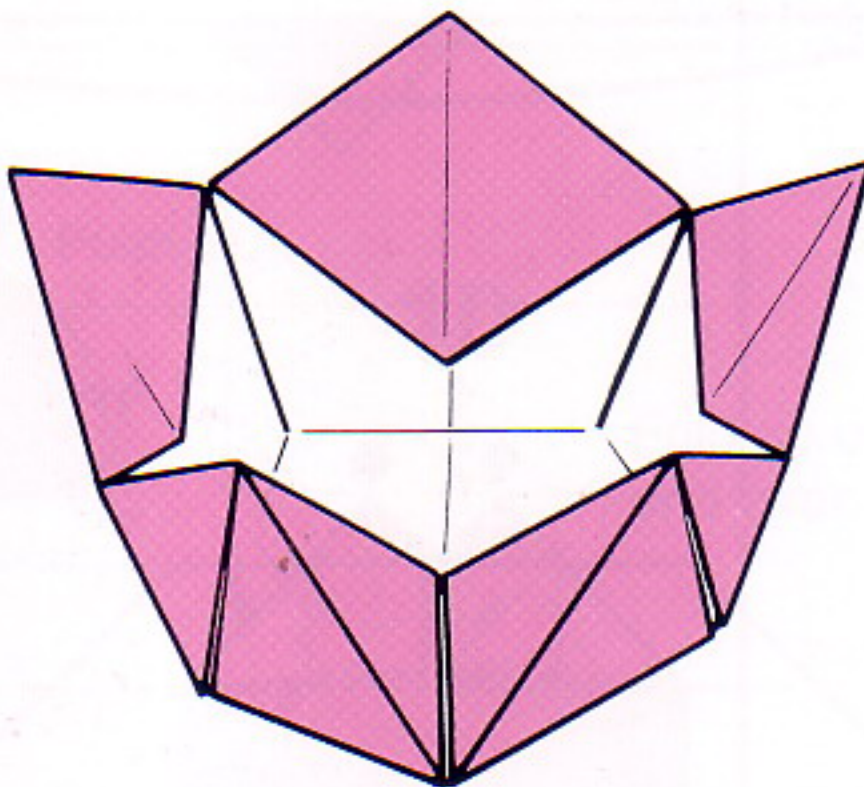
Tuck in.



14



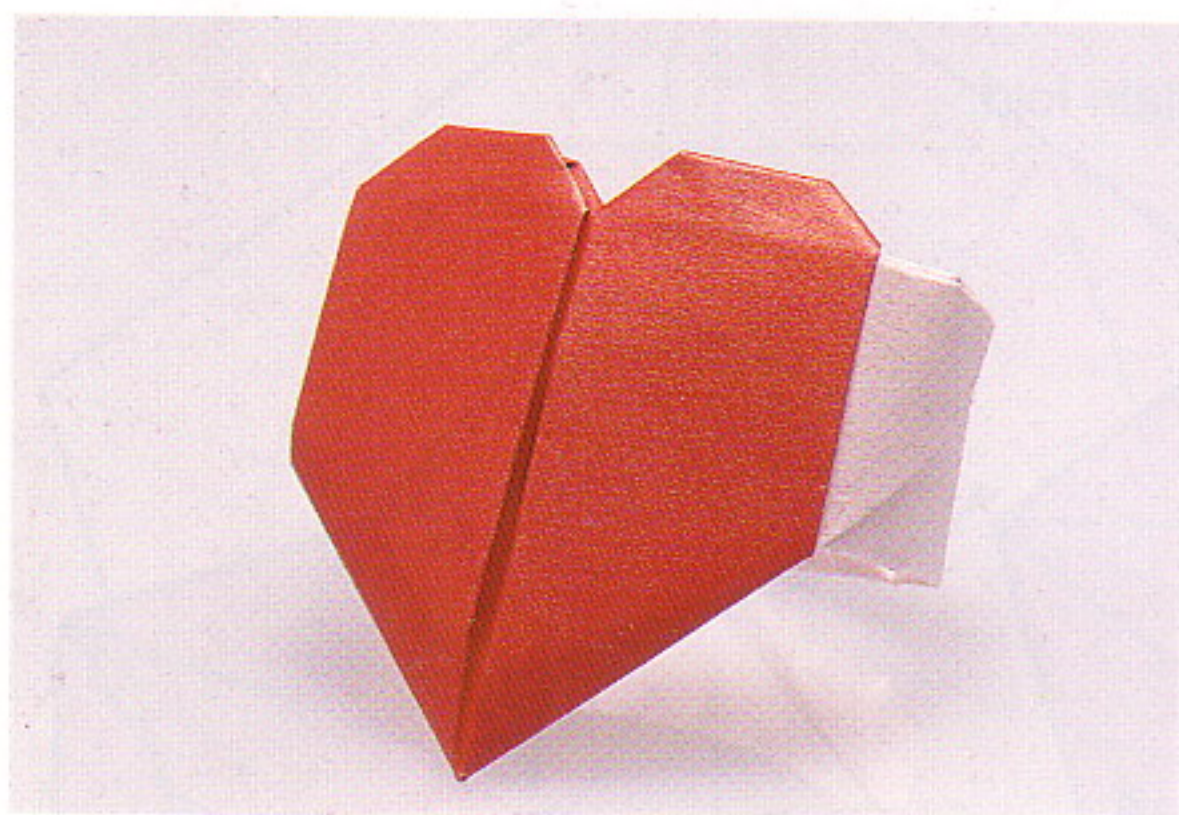
Completed.



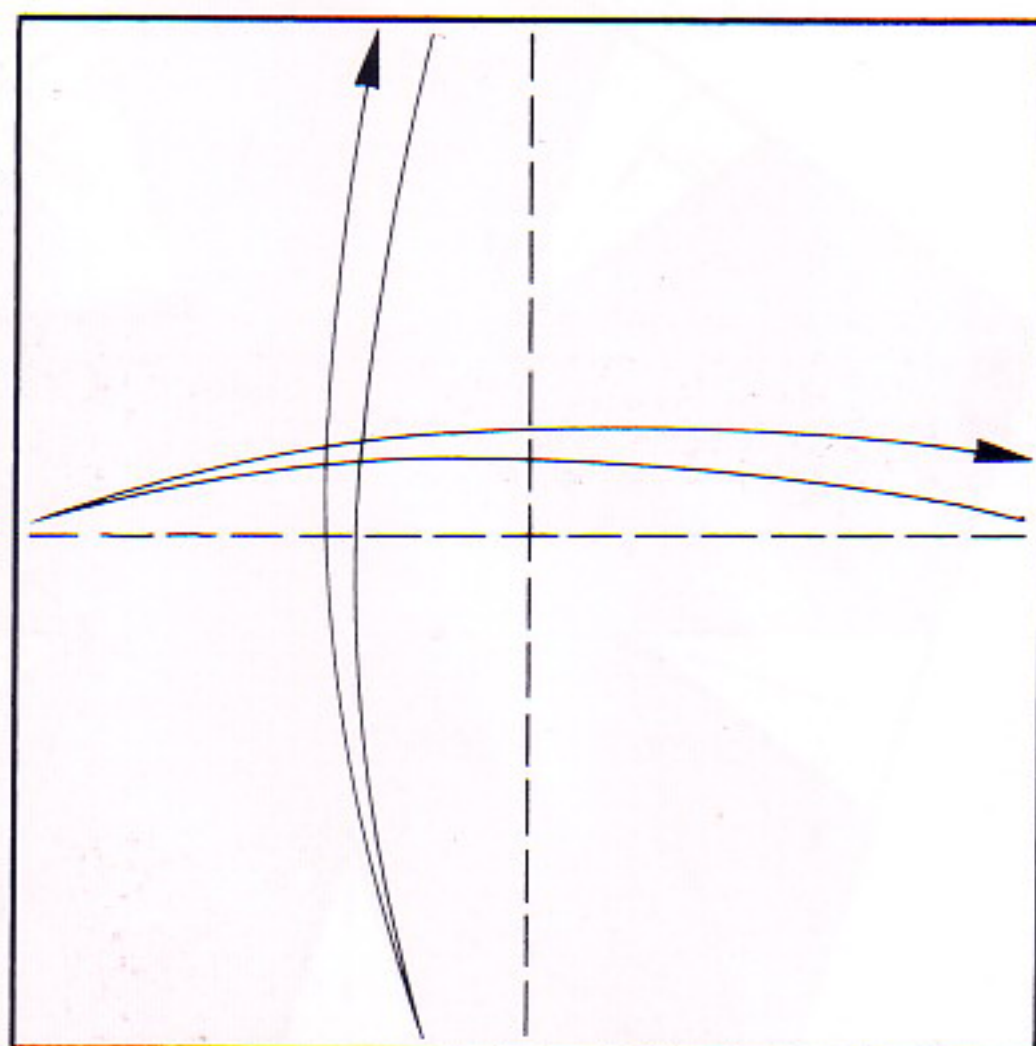
Repeat the same folds with all the other pleats.



# NAPKIN RING

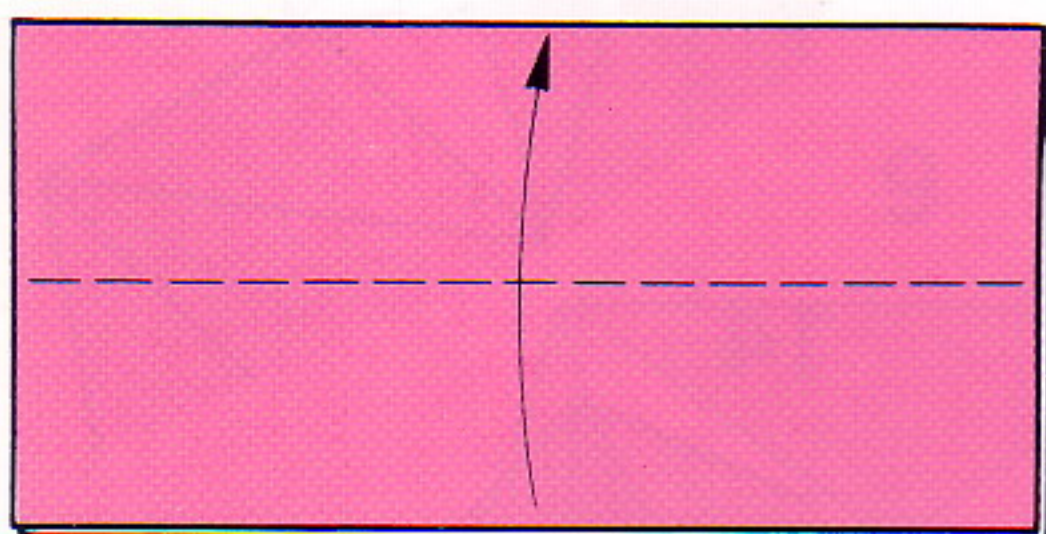


1



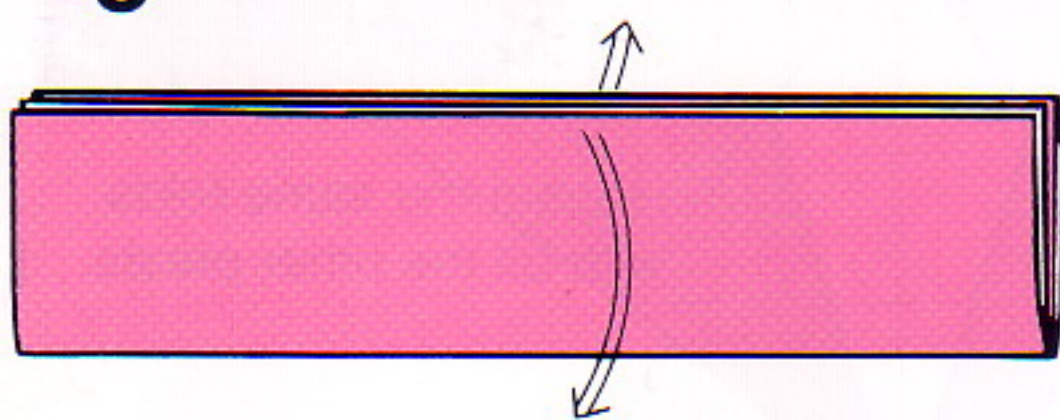
Make creases.

2



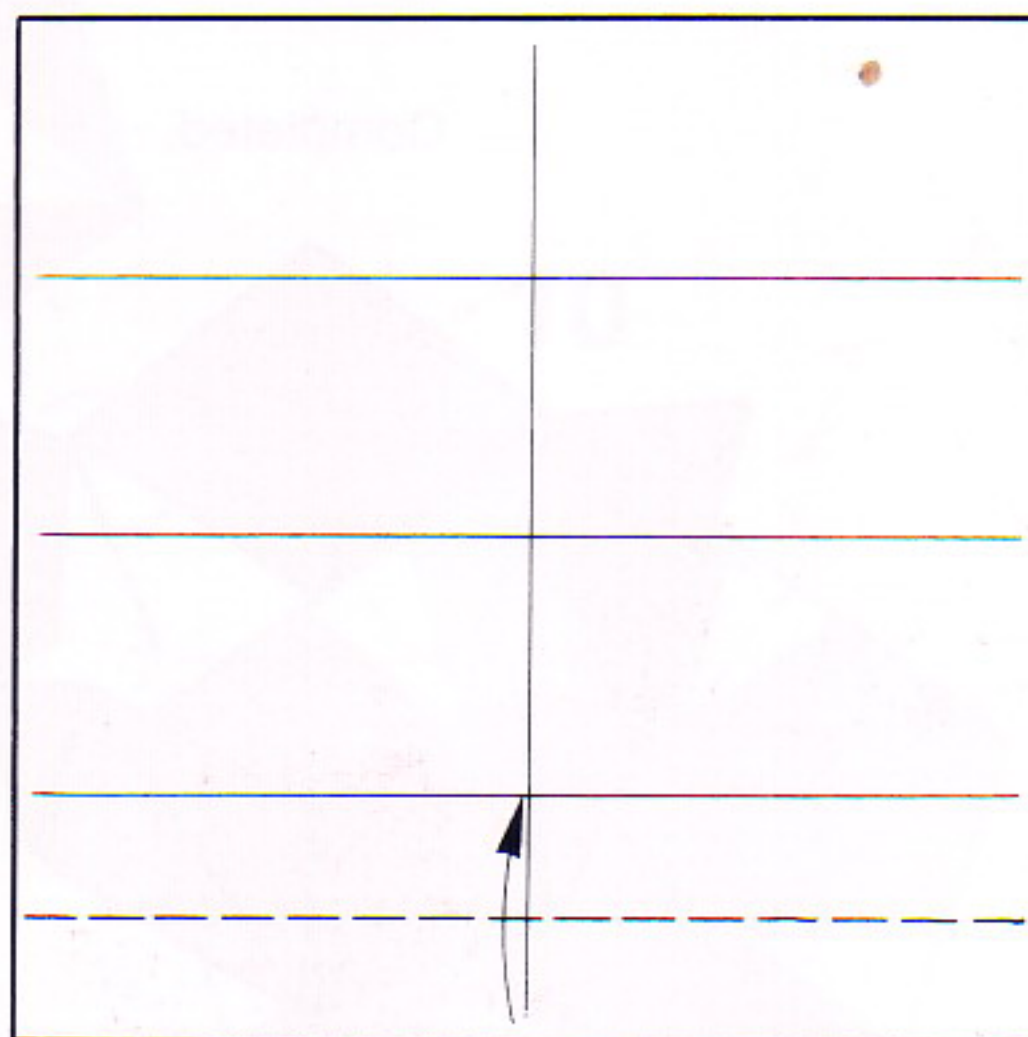
Fold over.

3



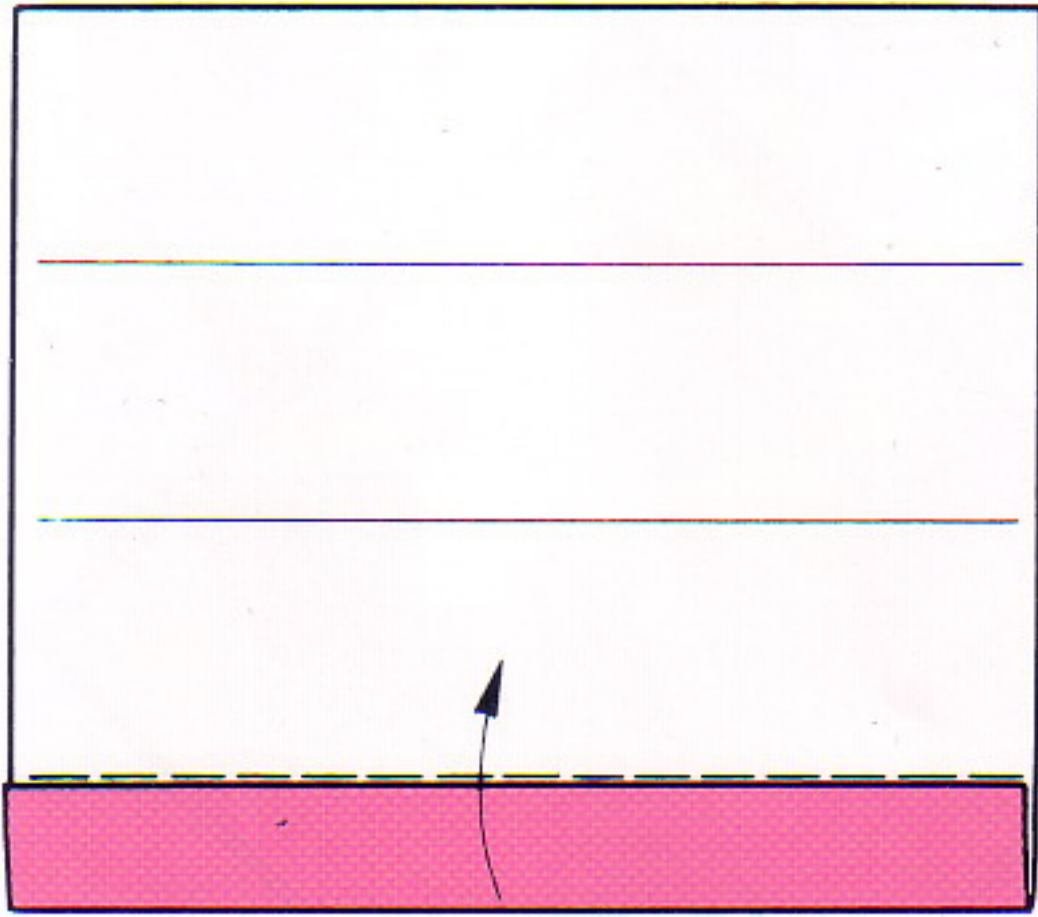
Open out.

4



Fold up.





Fold over.

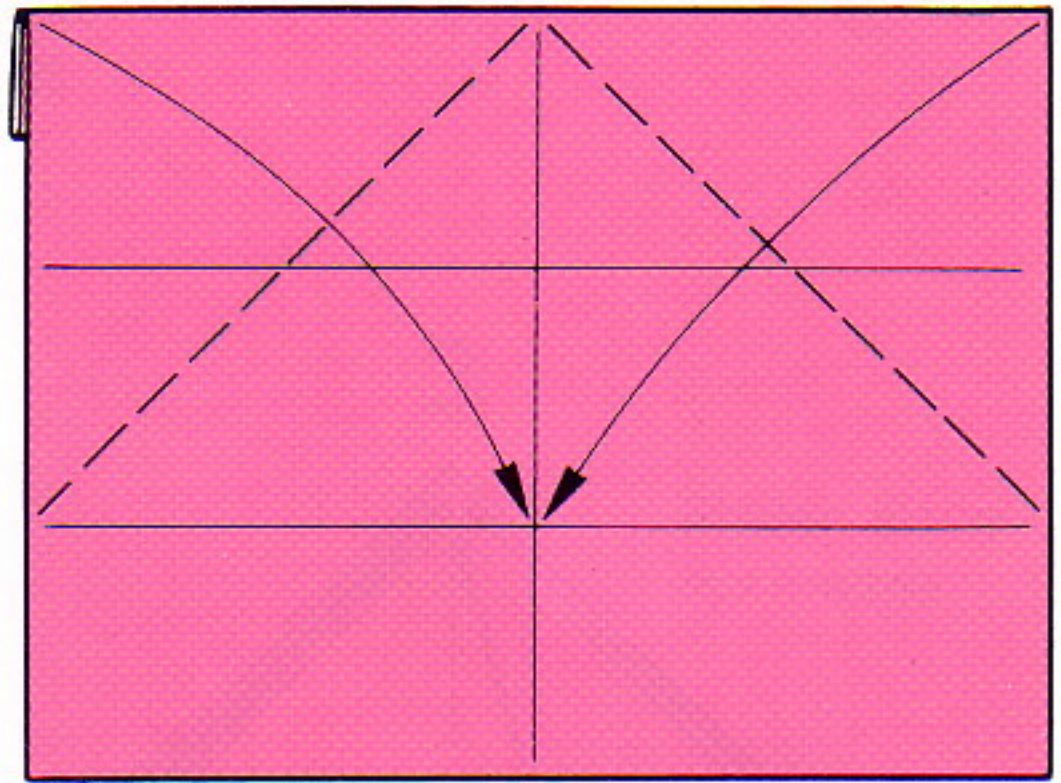
5



Turn over.

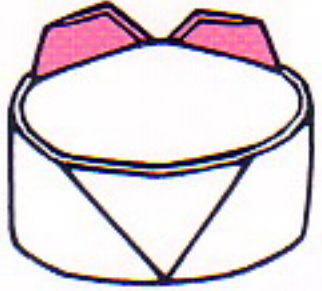
6

Fold flaps down.

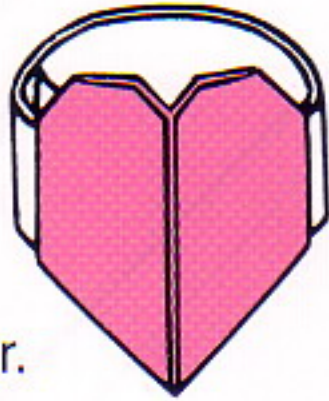


Completed.

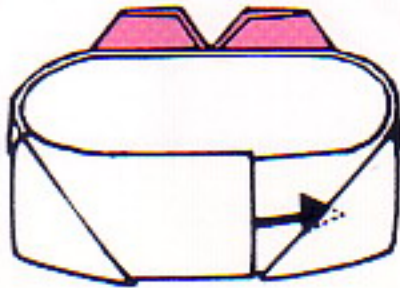
13



Turn over.

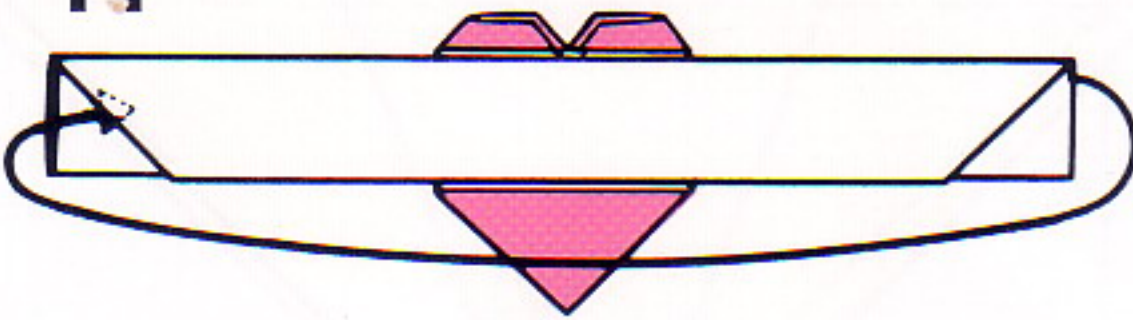


12



Tuck in ends.

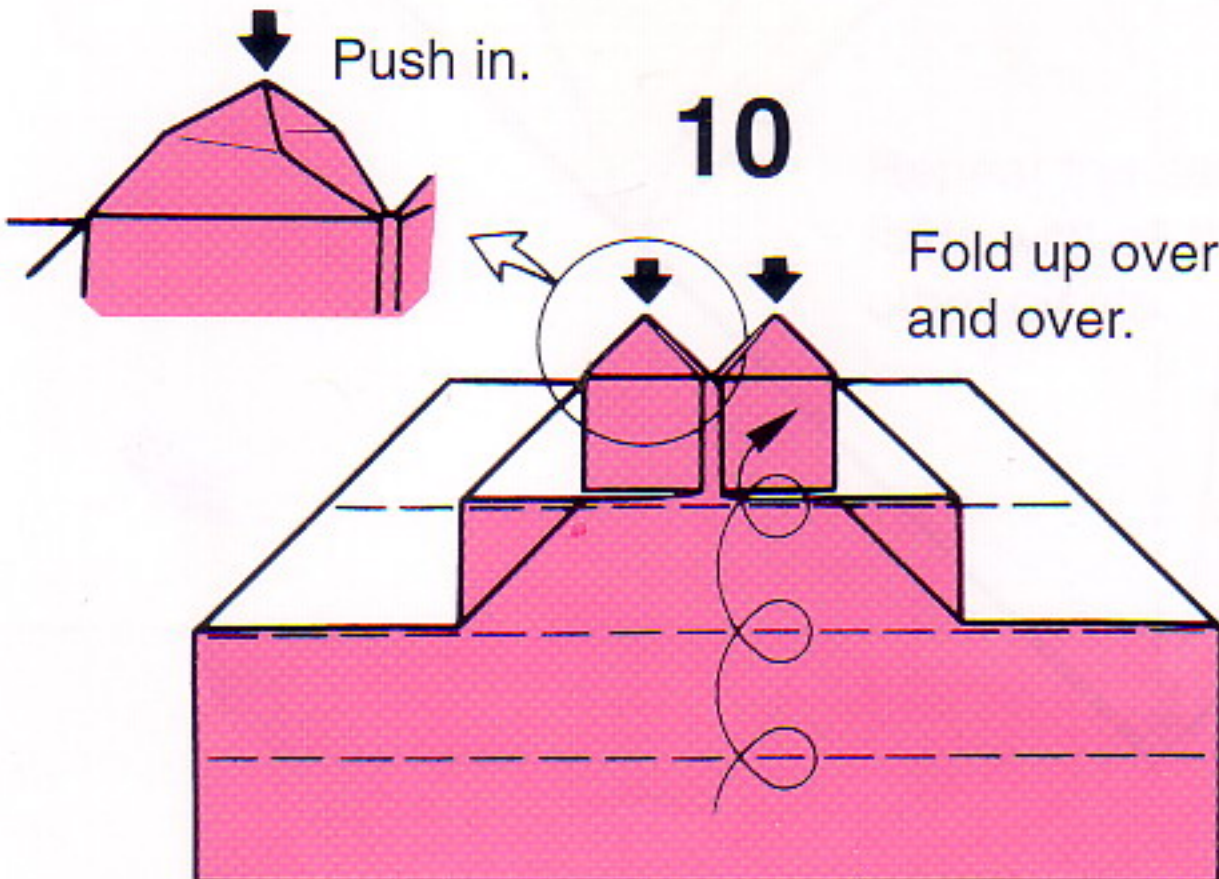
11



Push in.

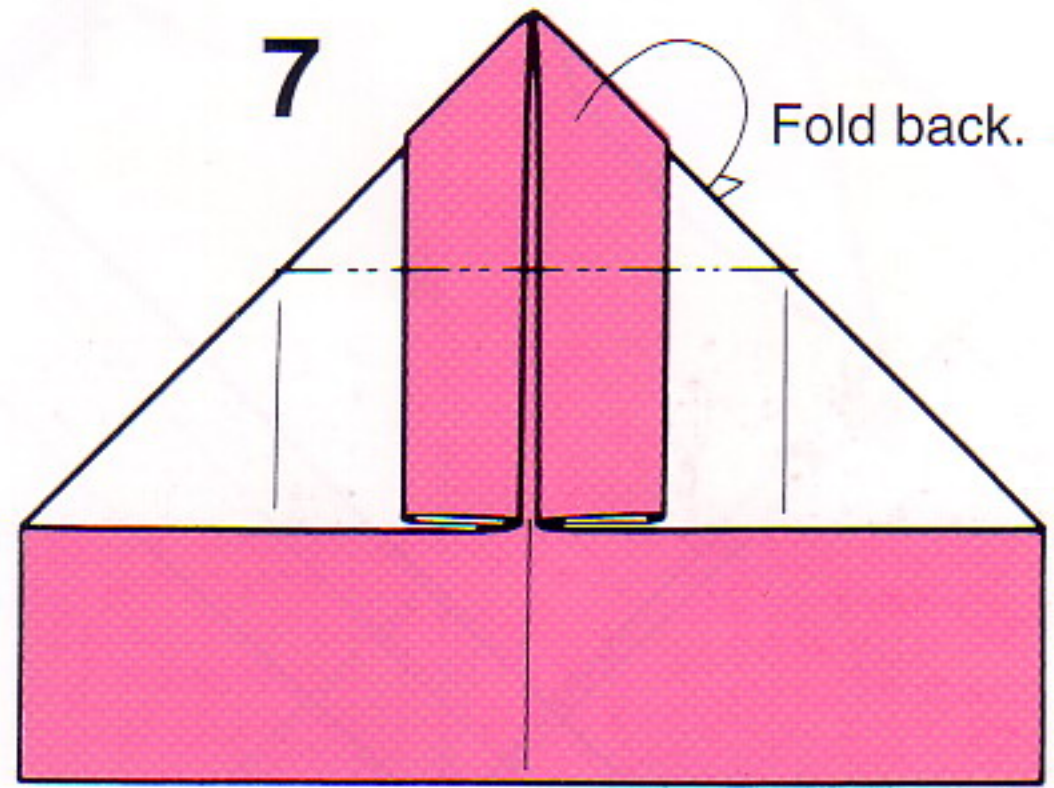
10

Fold up over and over.



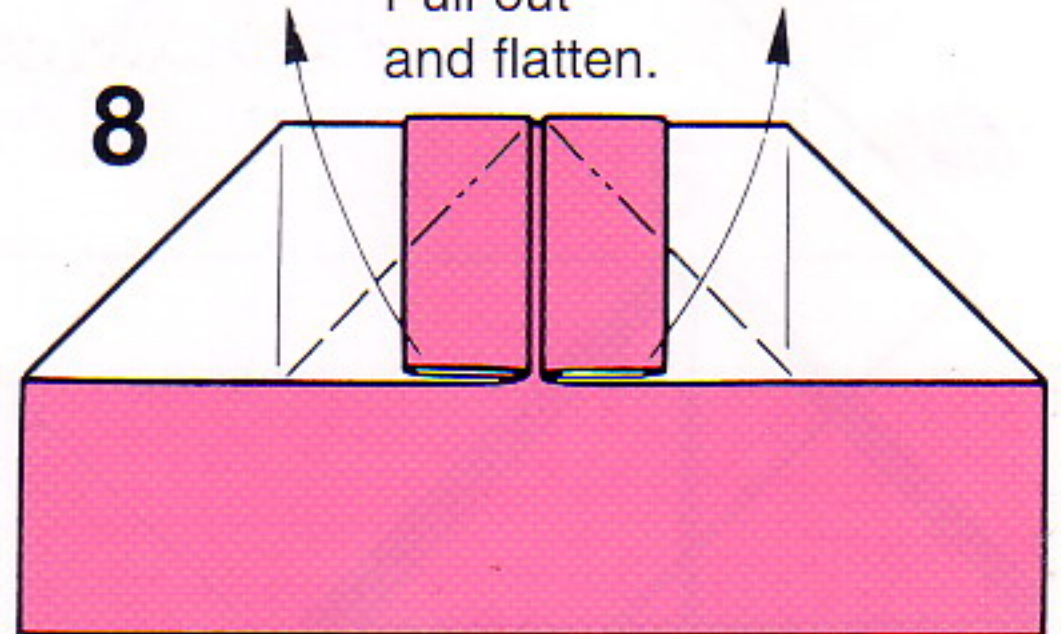
7

Fold back.



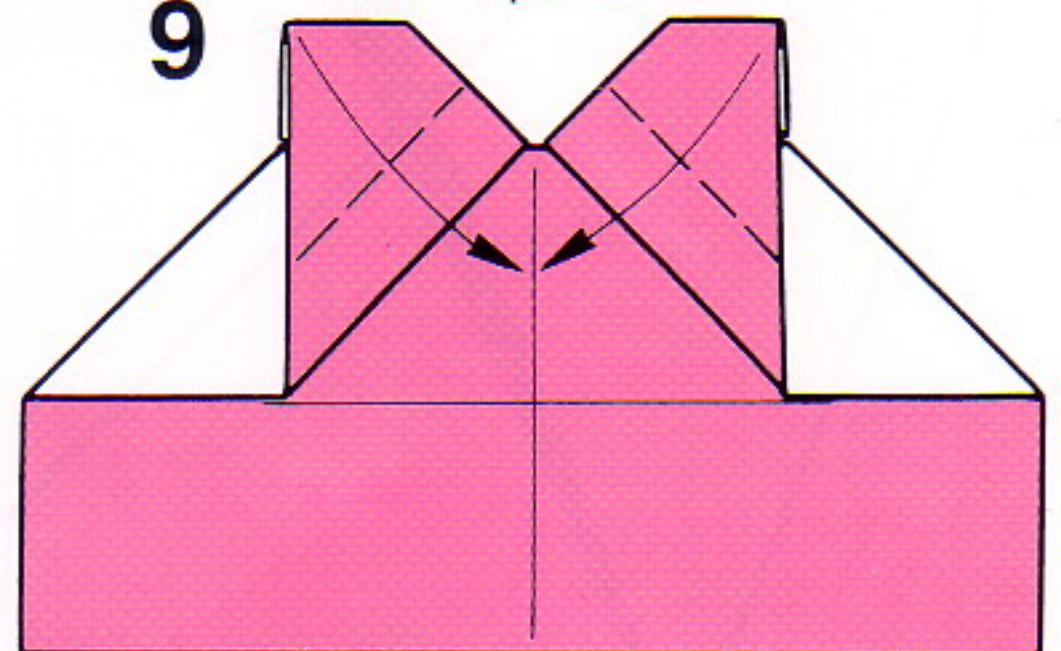
8

Pull out and flatten.



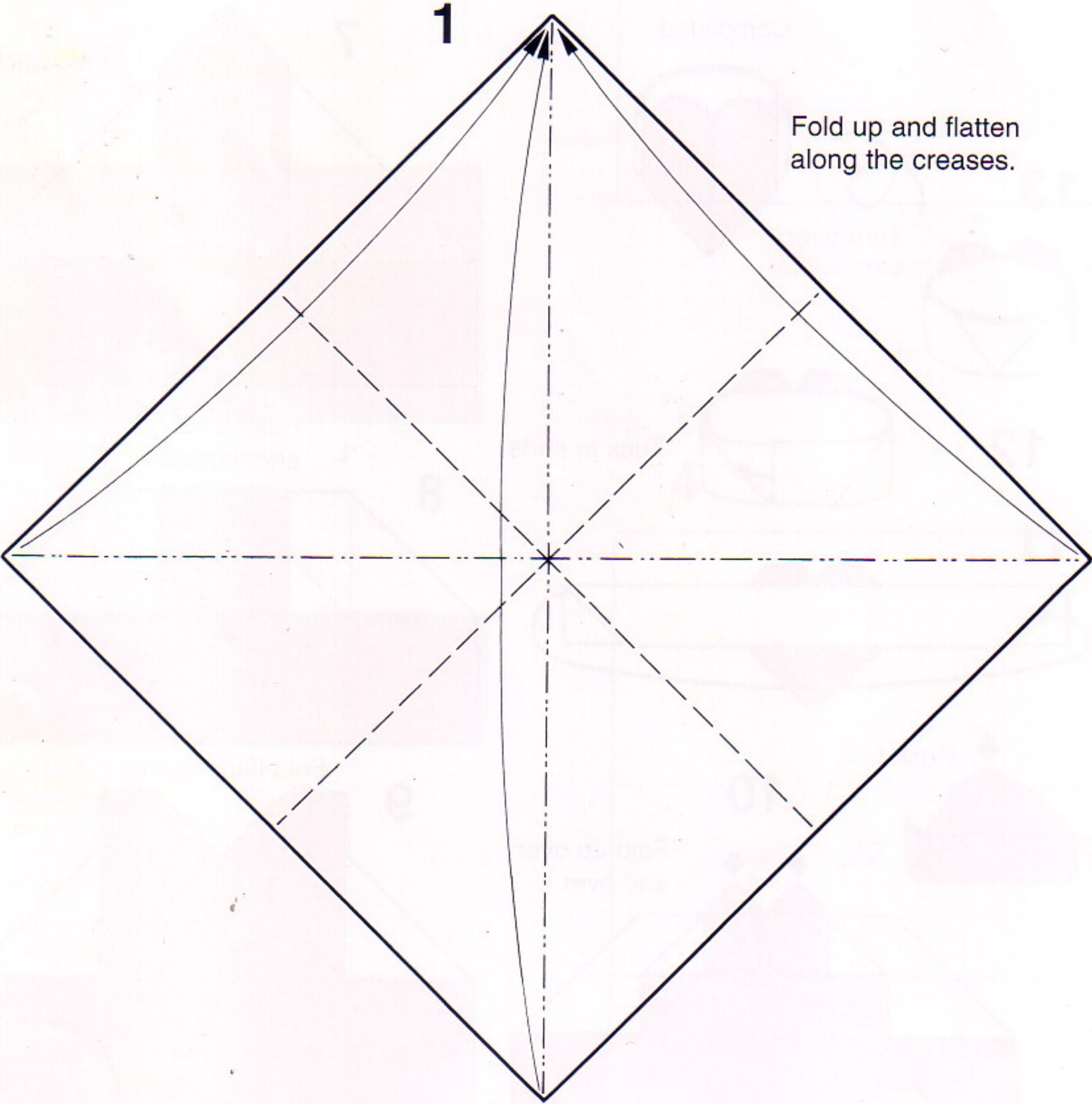
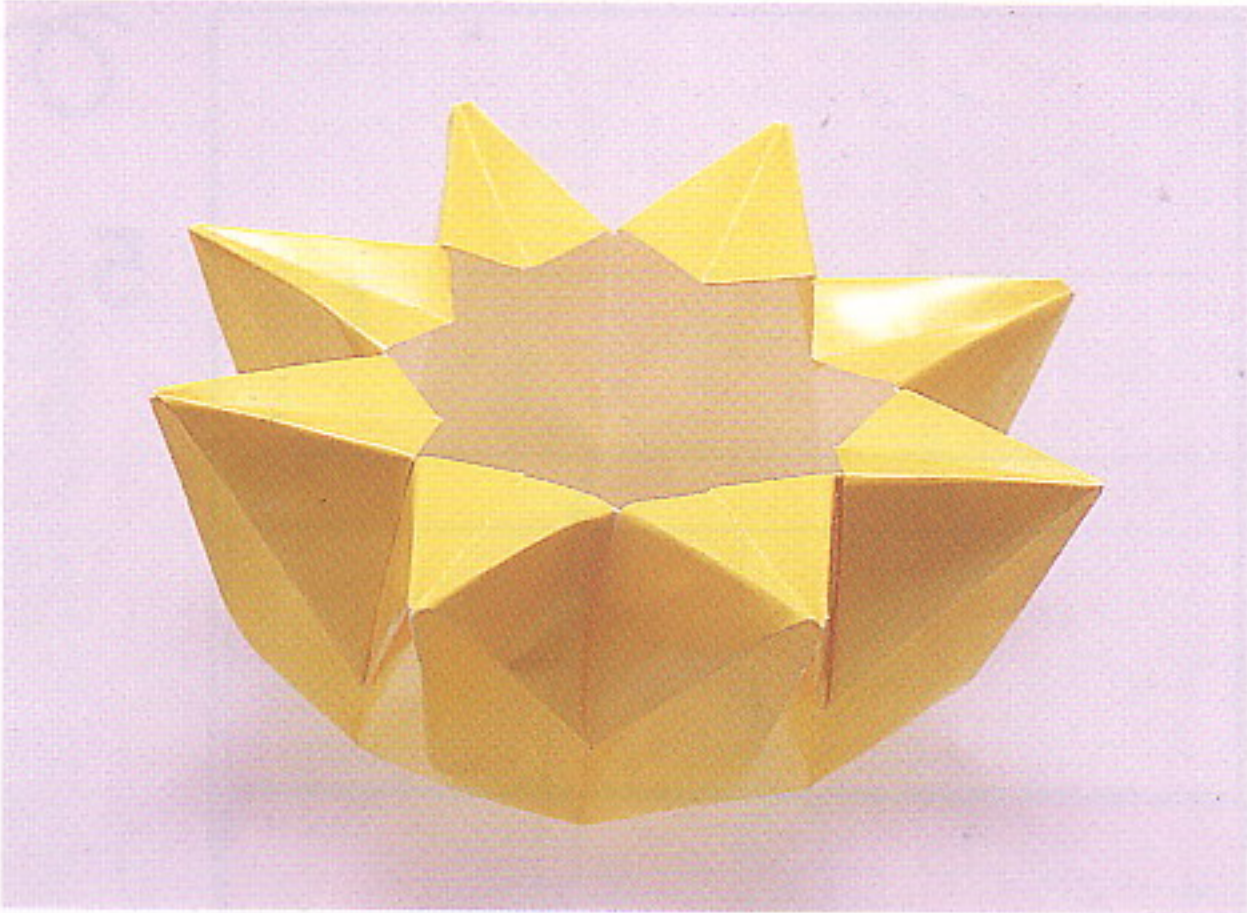
9

Fold flaps down.



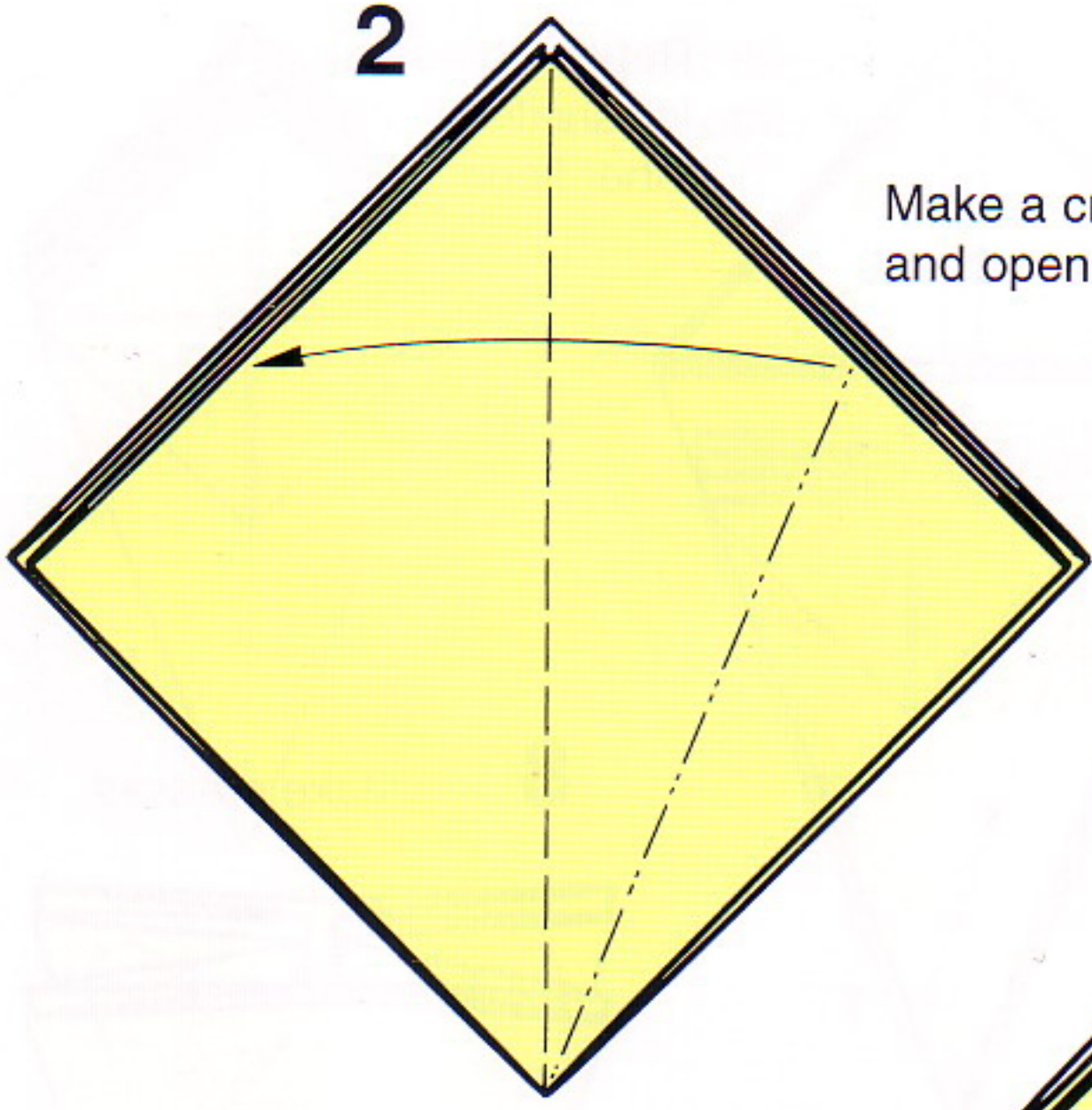


# CHRYSANTHEMUM BOWL



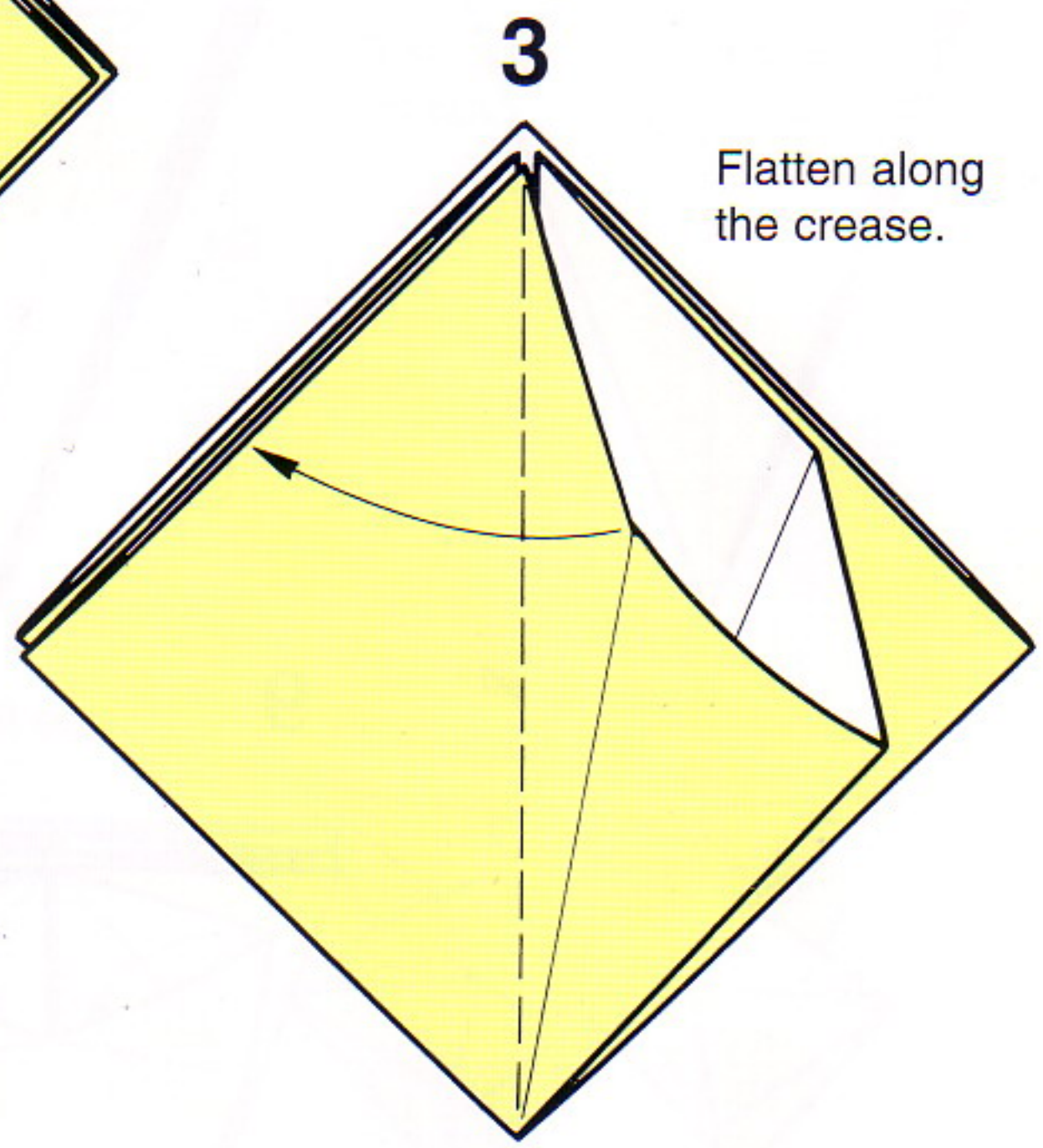


2



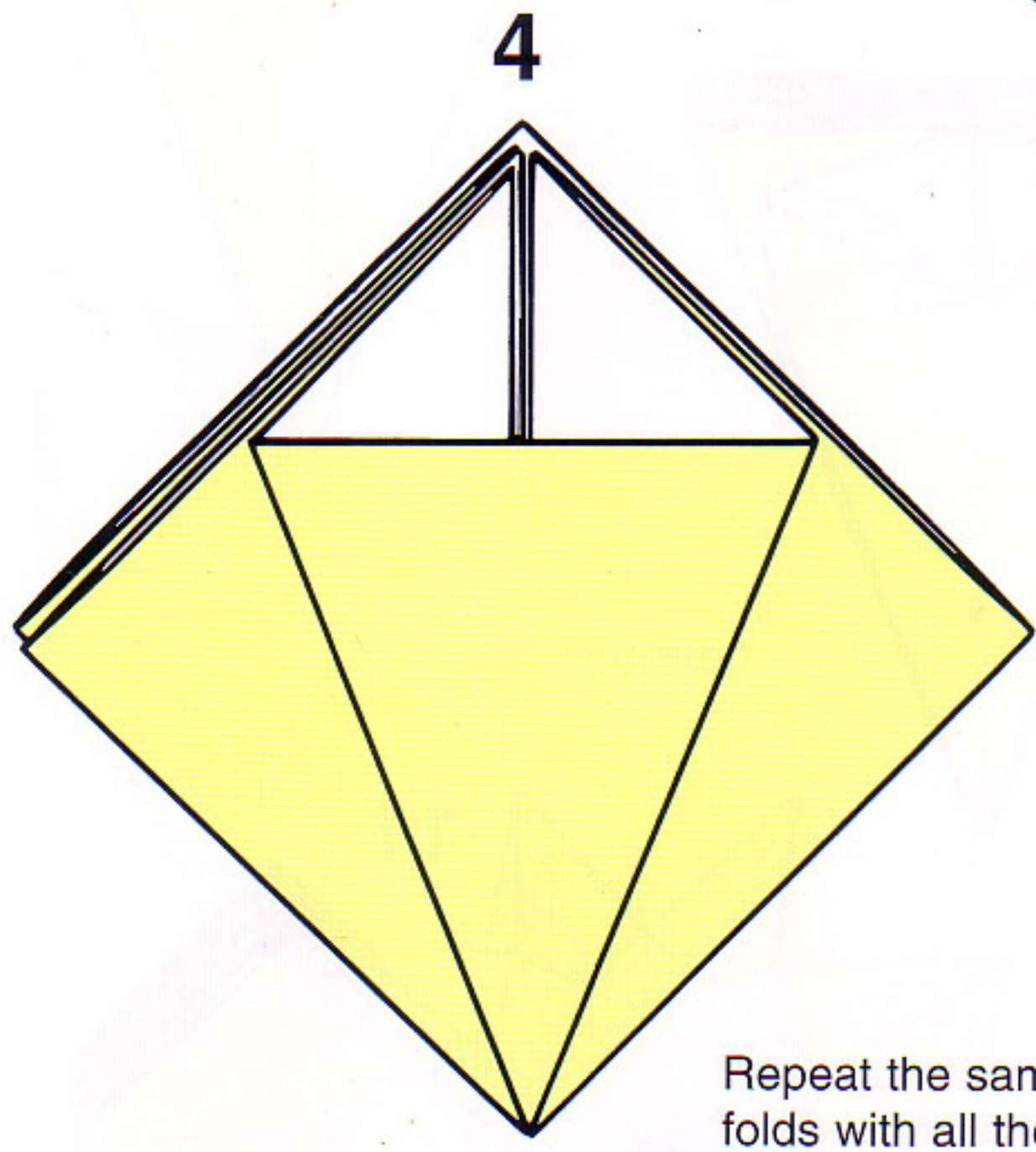
Make a crease and open out.

3



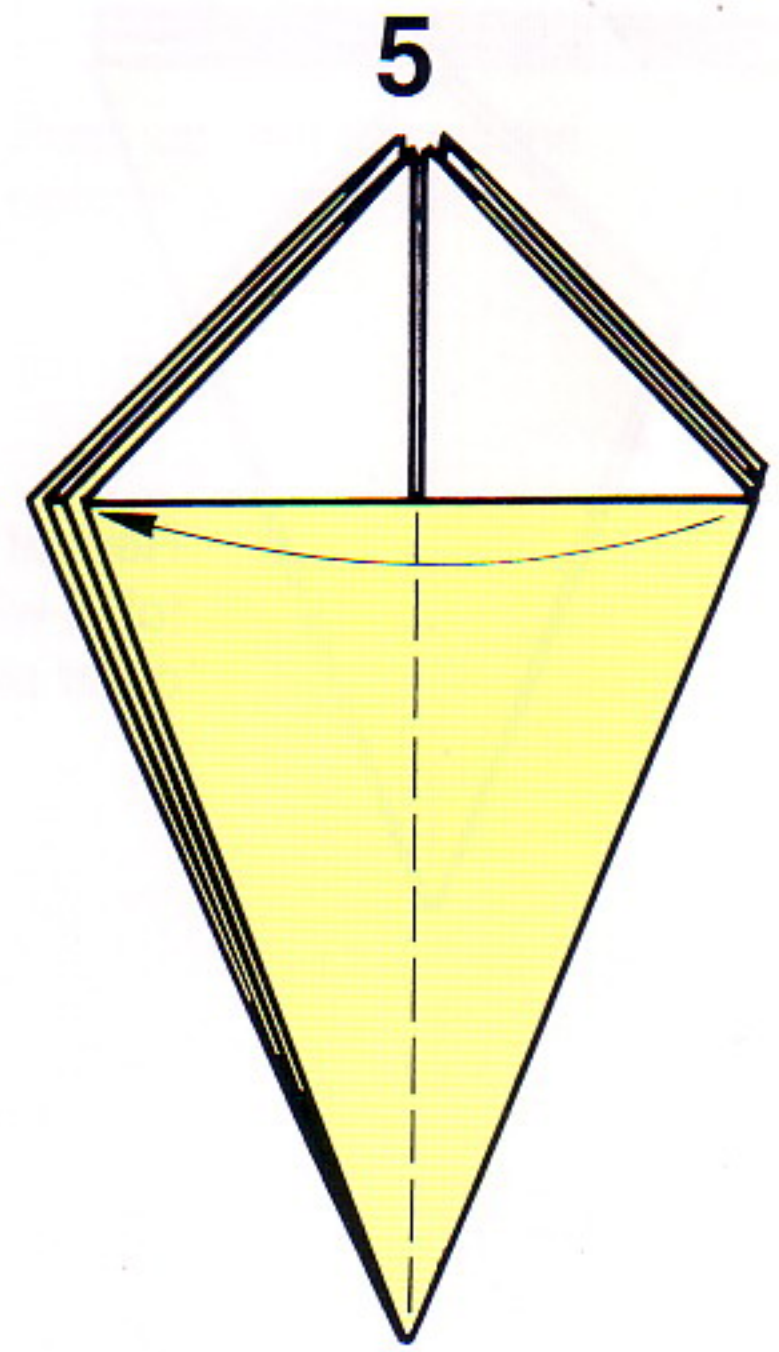
Flatten along the crease.

4



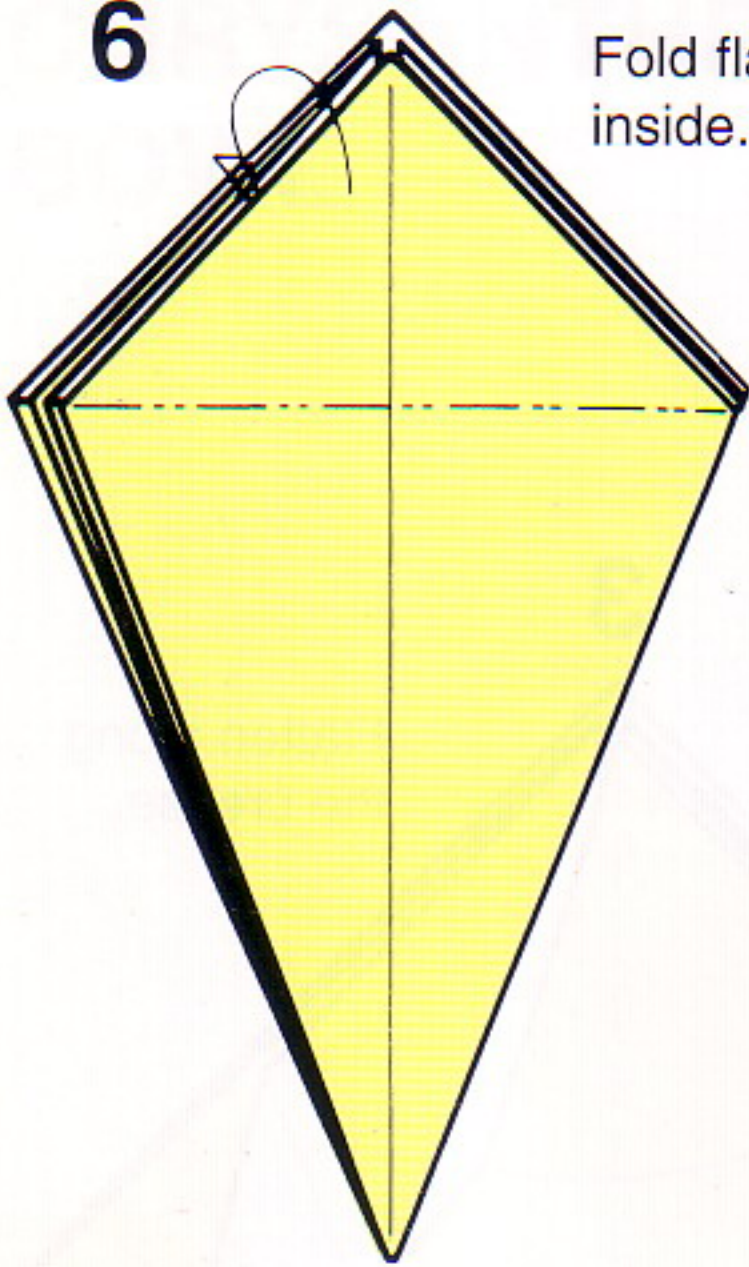
Repeat the same folds with all the other pleats.

5



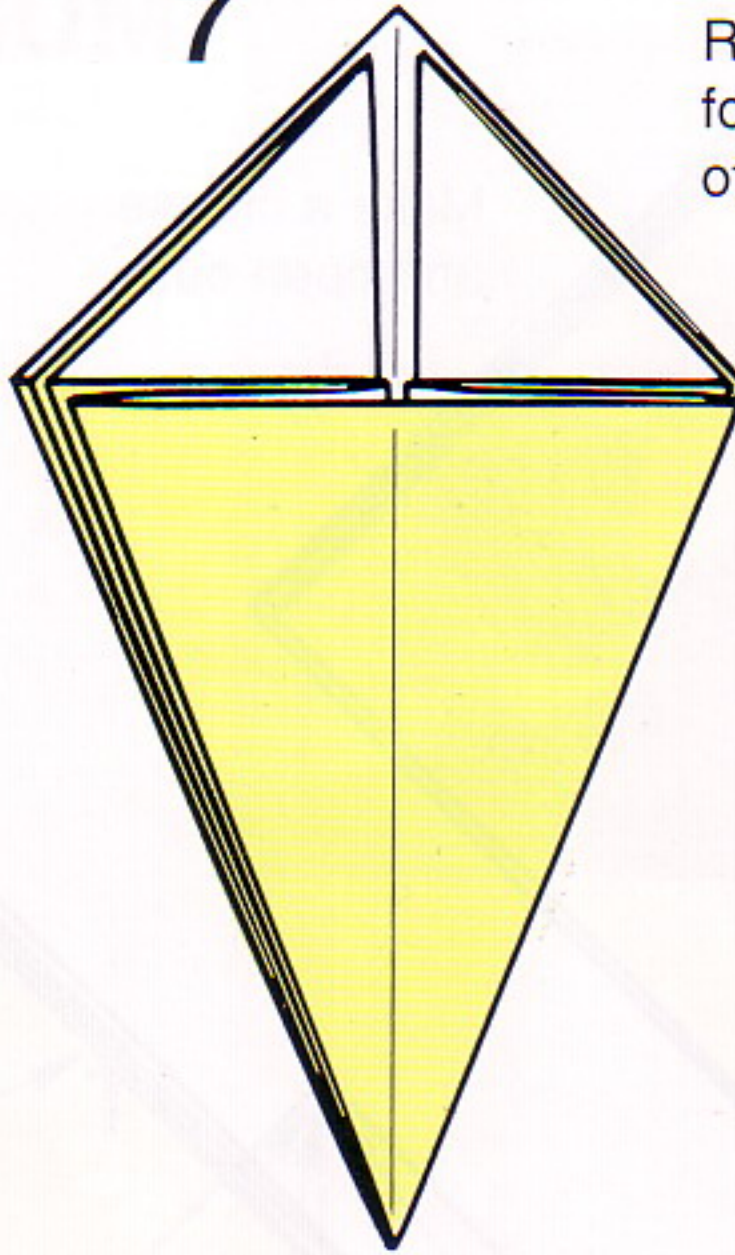


6



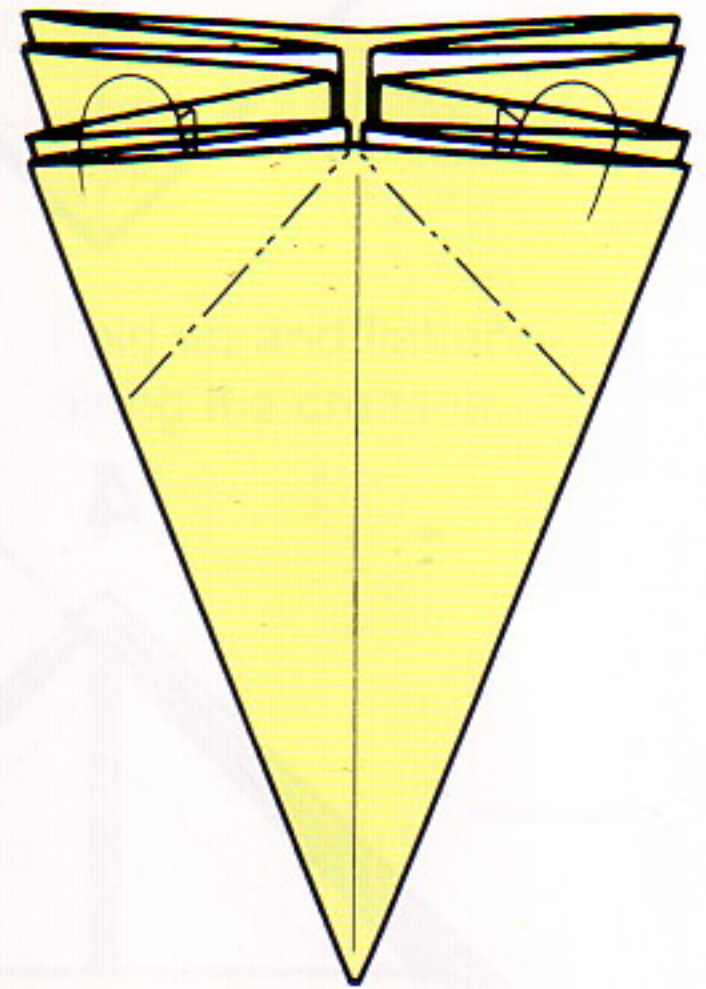
Fold flap inside.

7



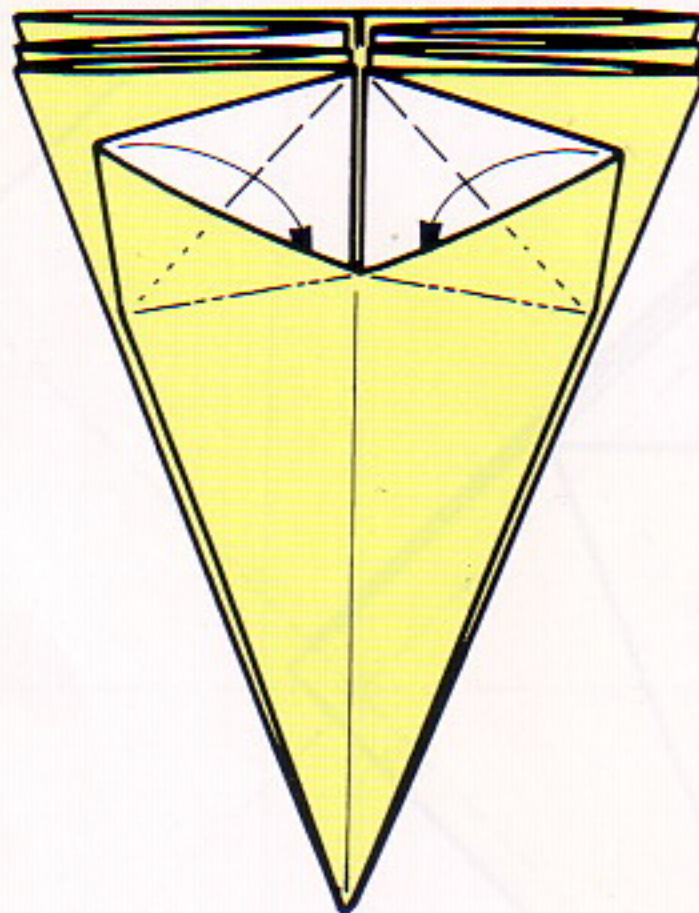
Repeat the same folds with all the other flaps.

8



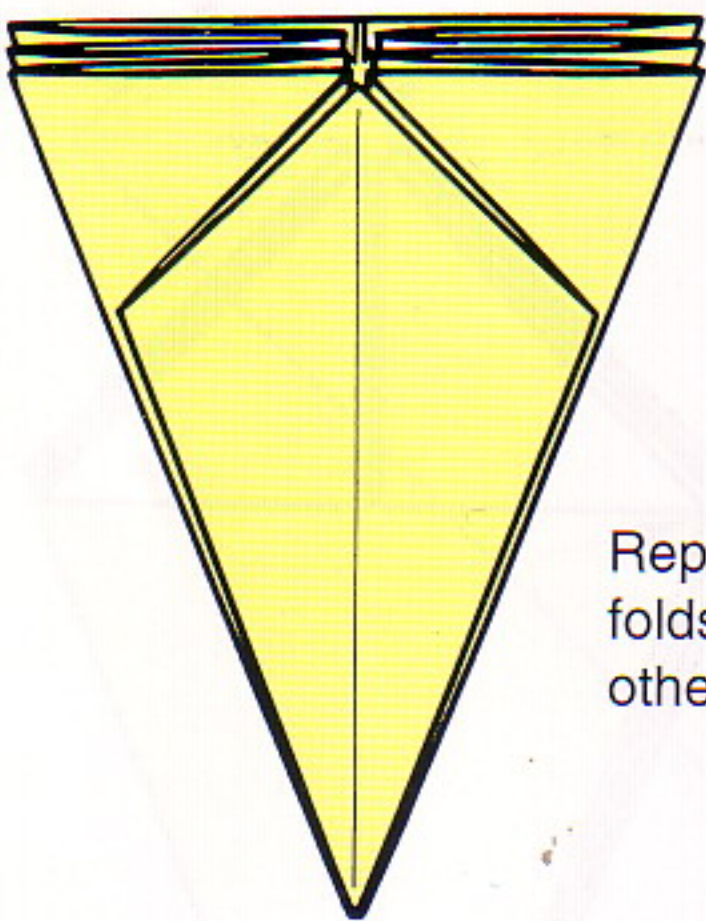
Make creases.

9



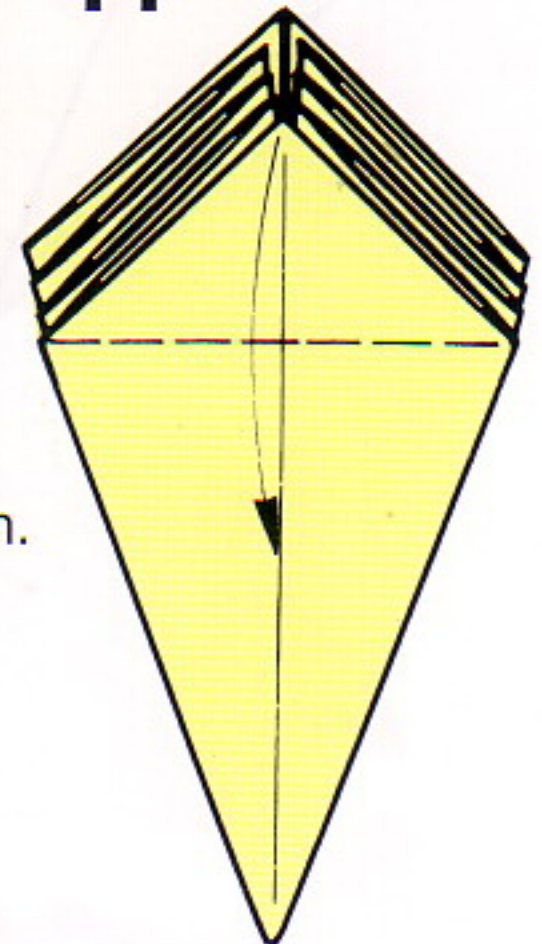
Inside Reverse Fold.

10



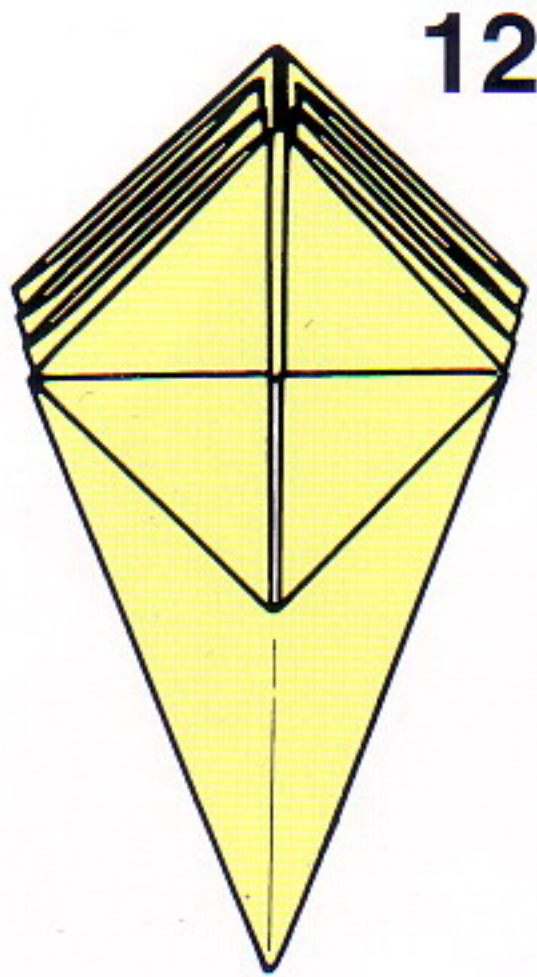
Repeat the same folds with all the other pleats.

11

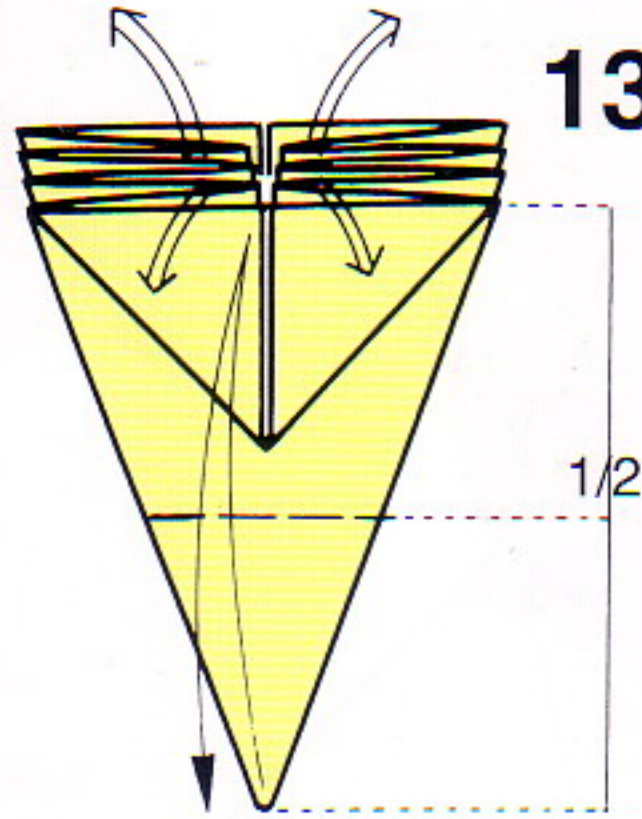


Fold flap down.

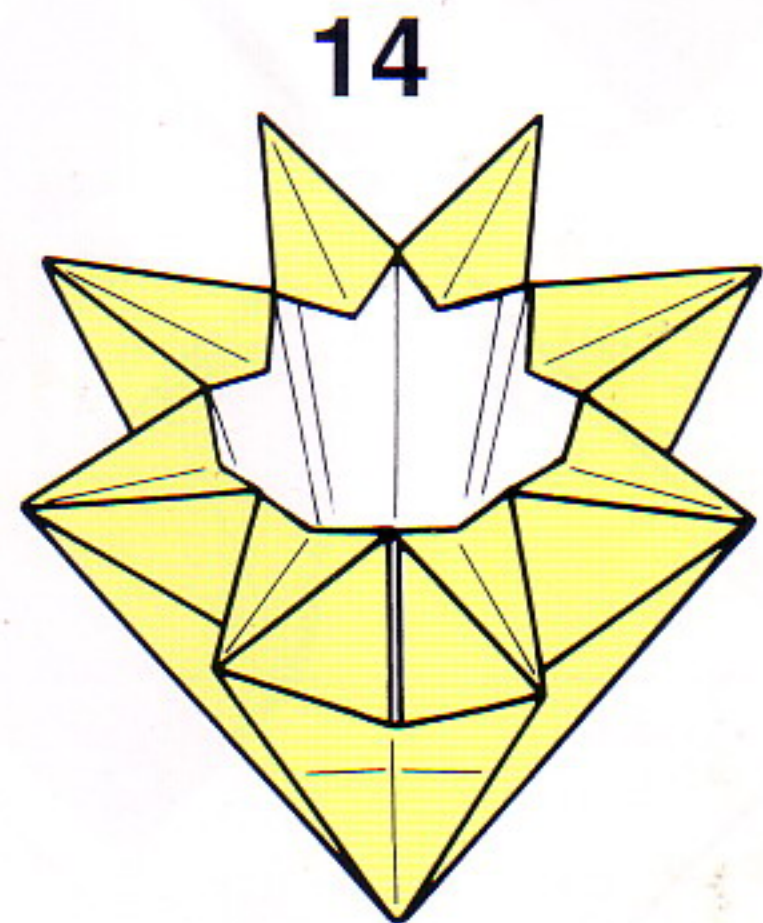




**12** Repeat the same with all the other flaps.

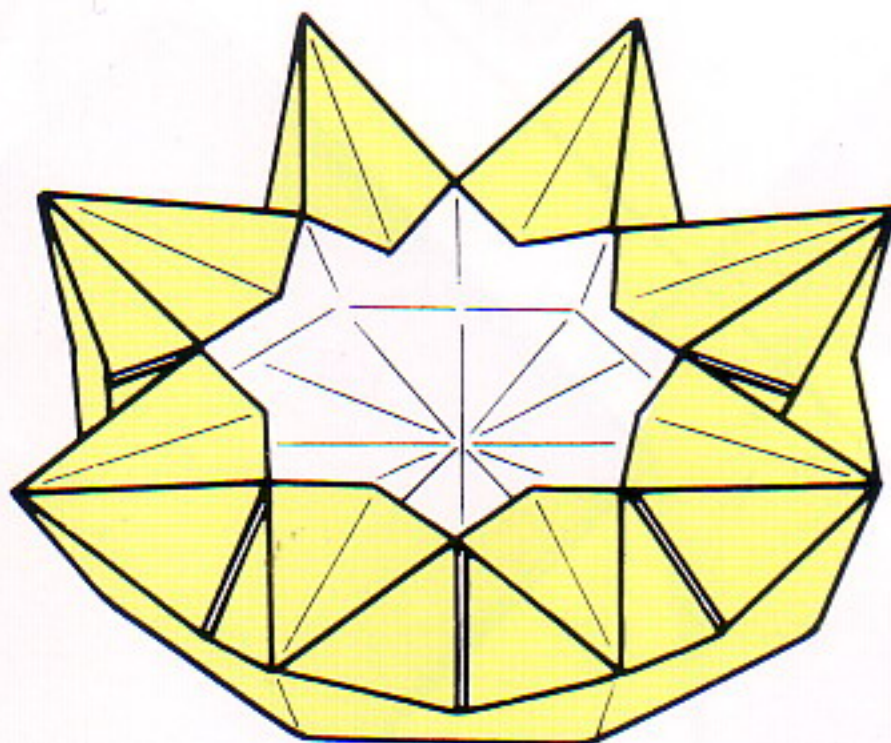


**13** Make a crease as shown and pull out gently at top.



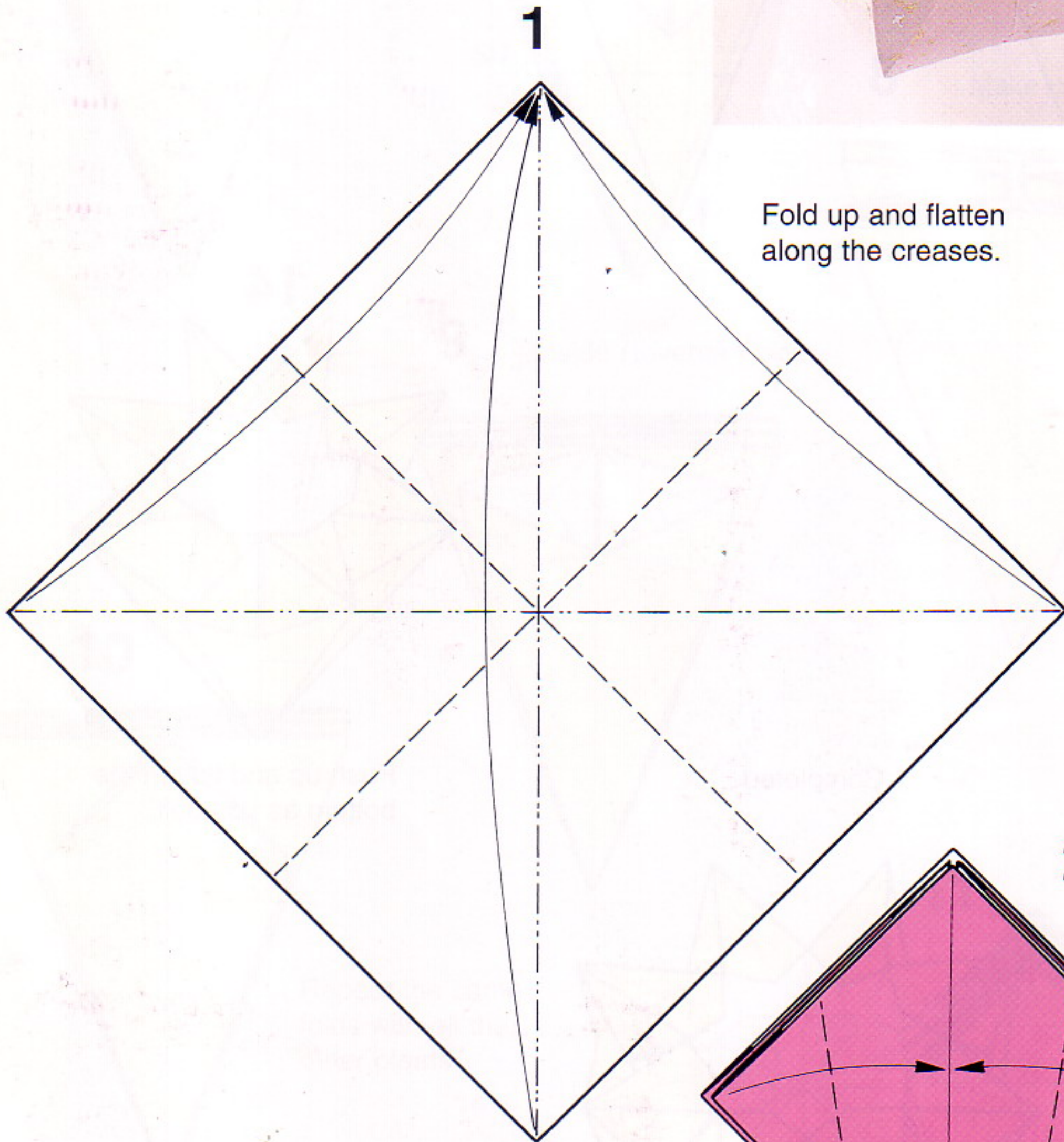
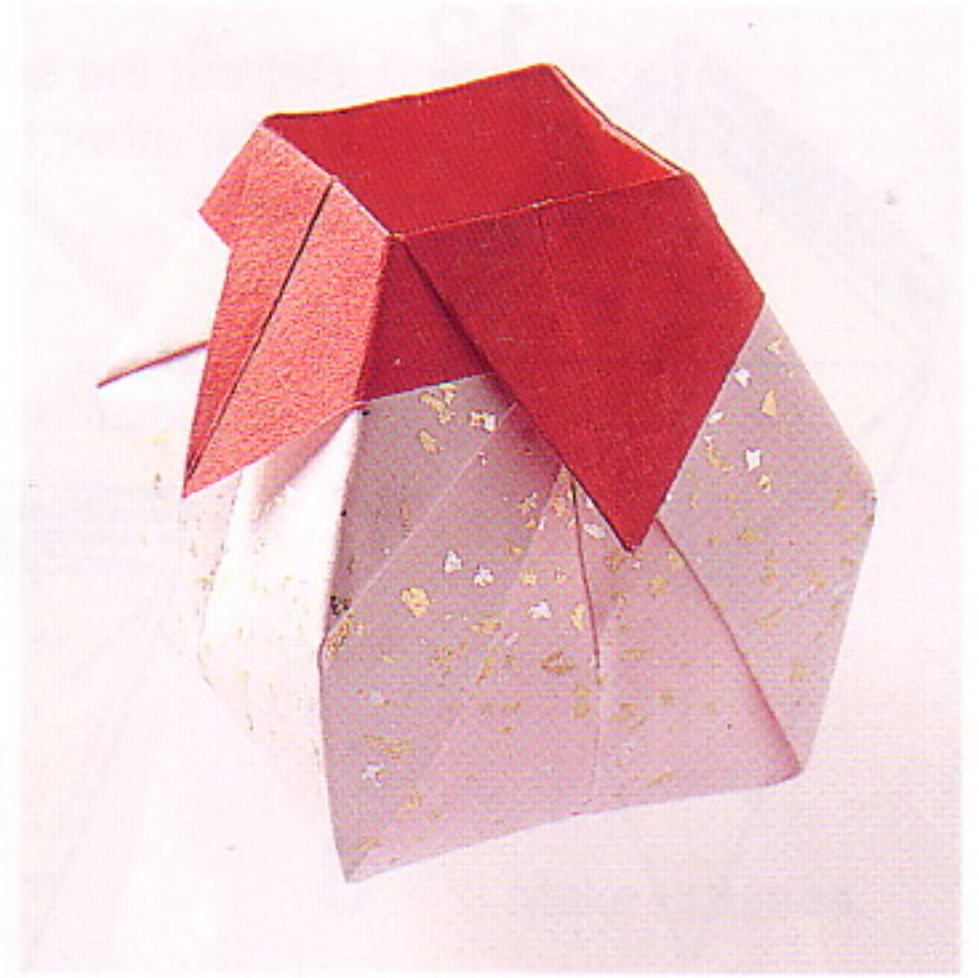
**14** Push up and flatten the bottom as you pull.

Completed.

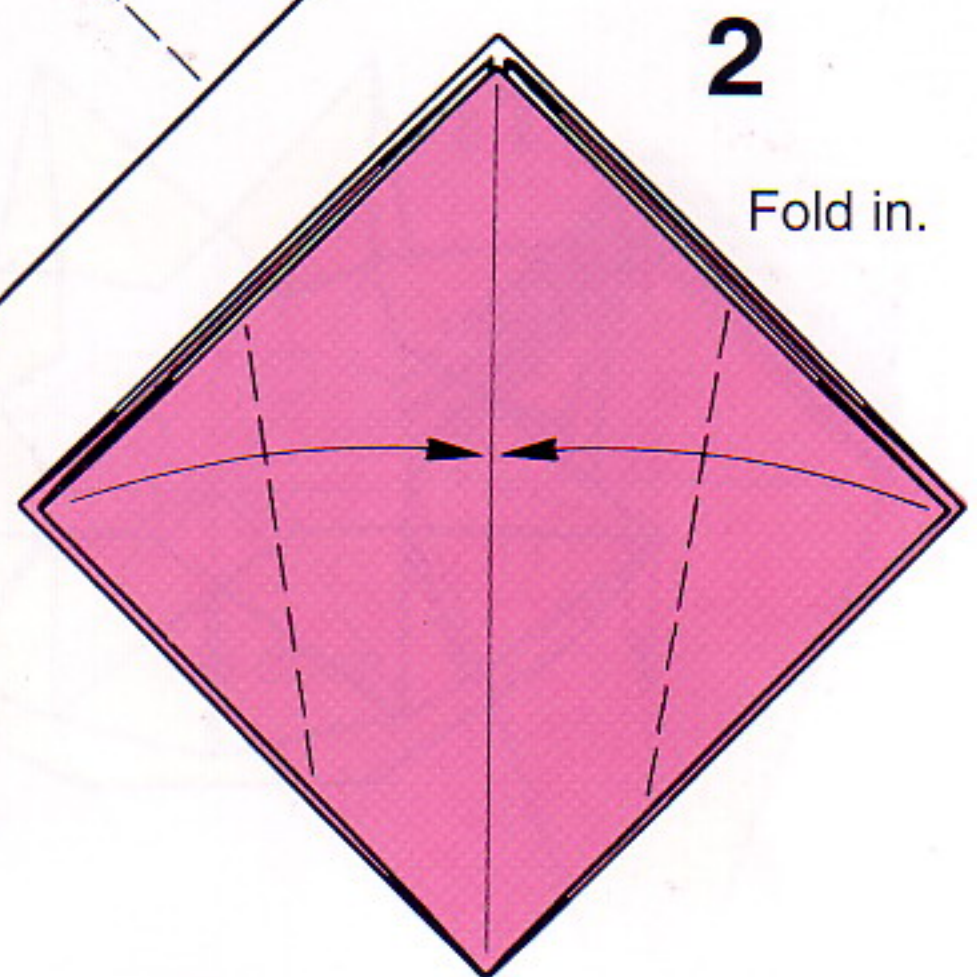




# JAR

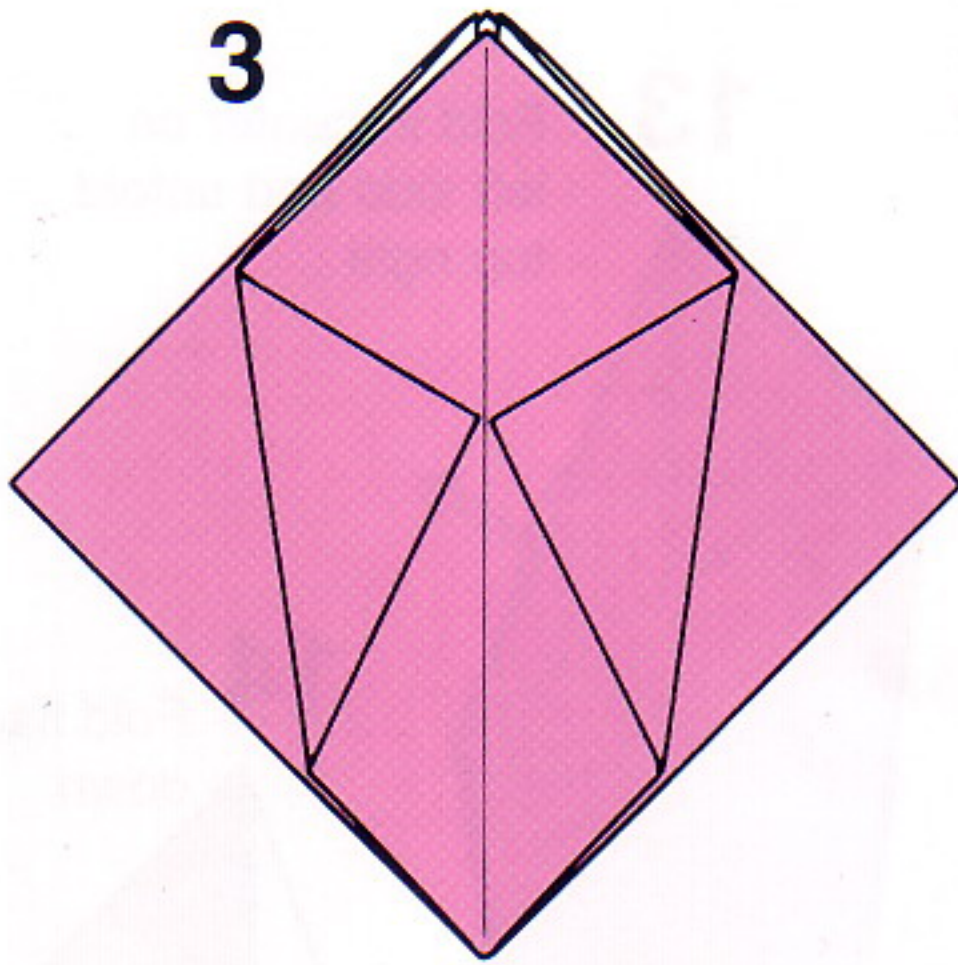


Fold up and flatten  
along the creases.

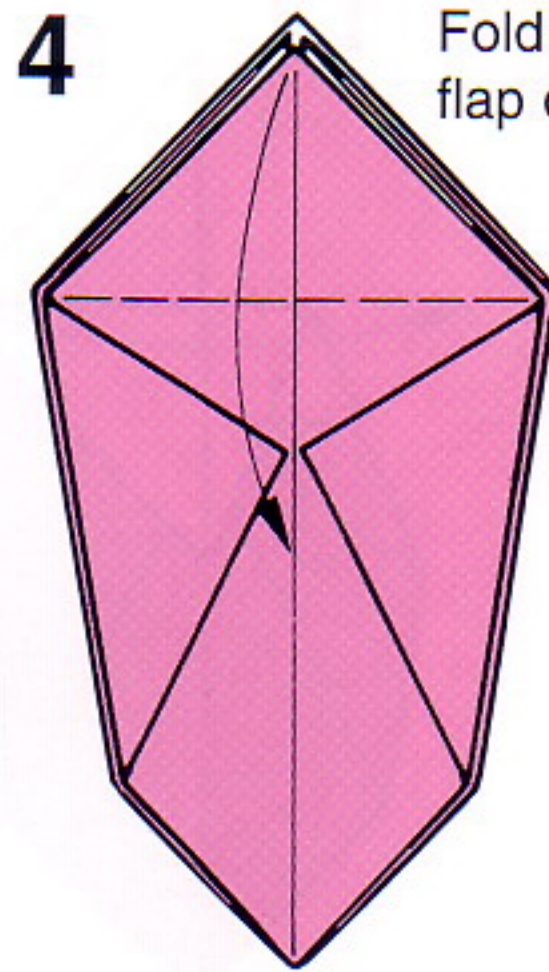


Fold in.

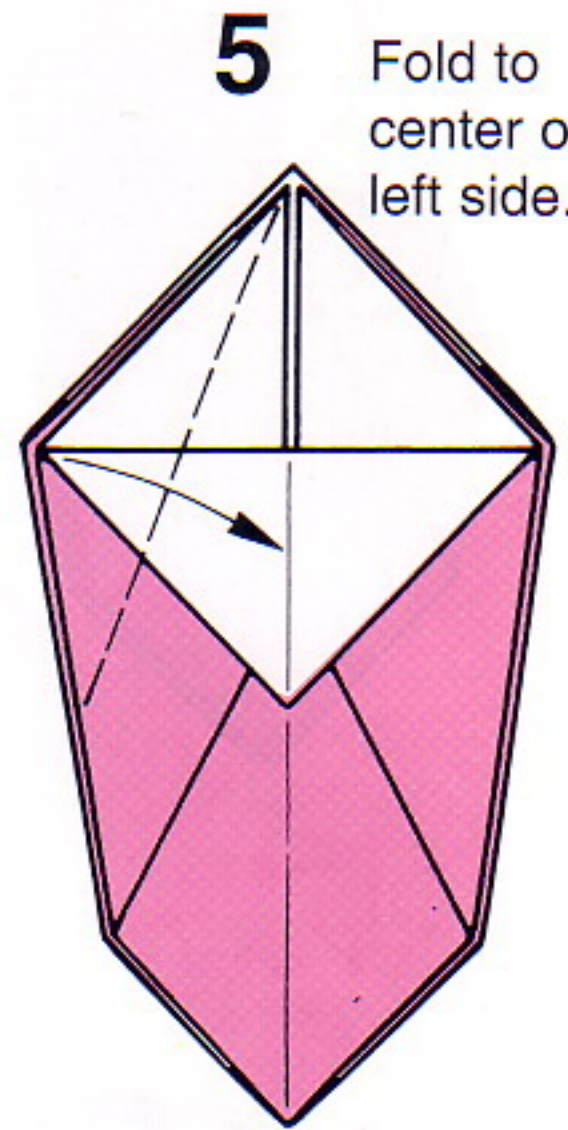




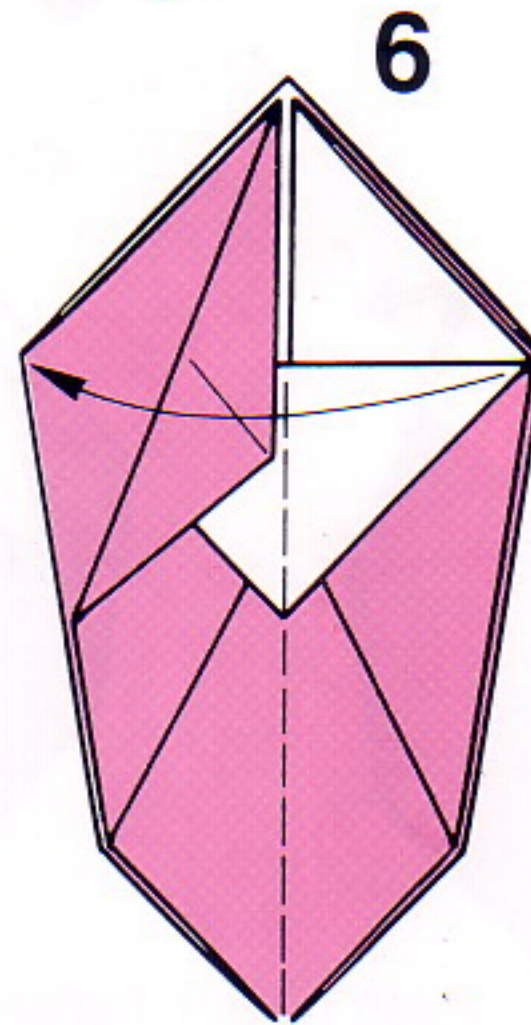
Repeat the same folds on the other side.



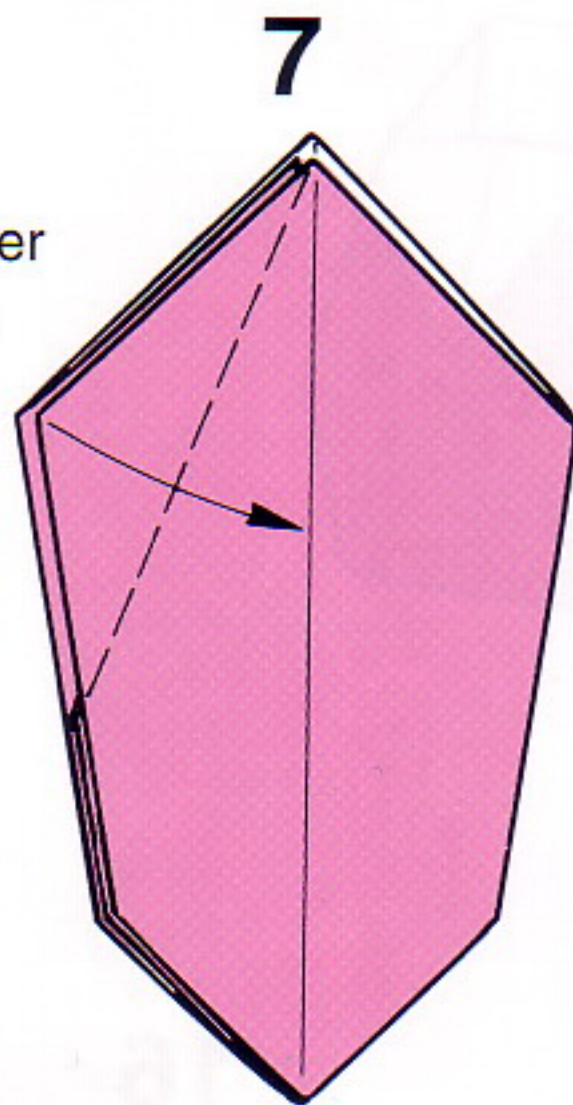
Fold front flap down.



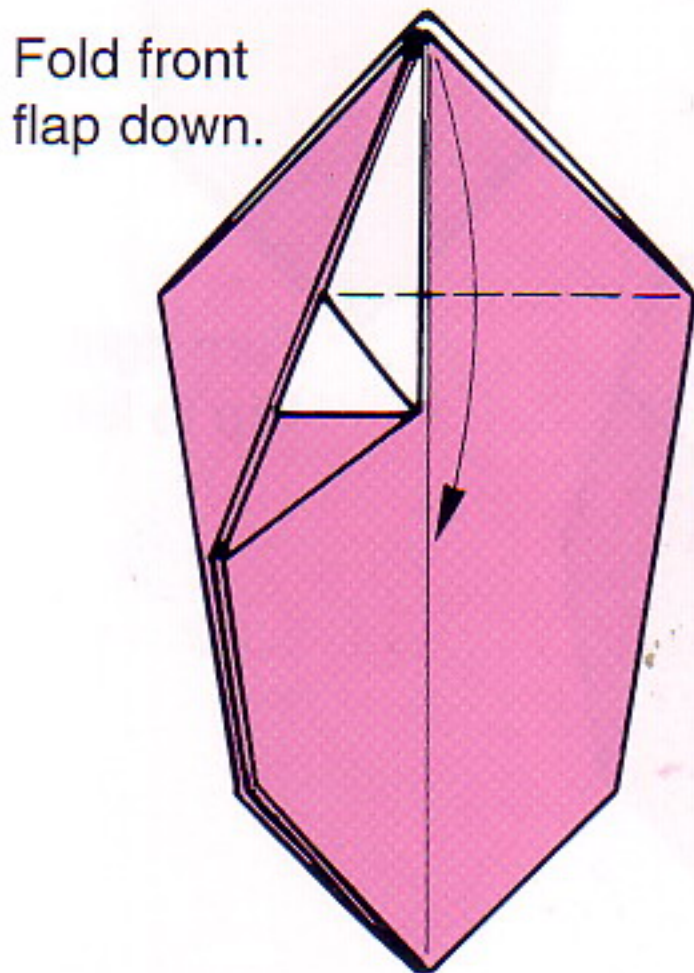
Fold to center on left side.



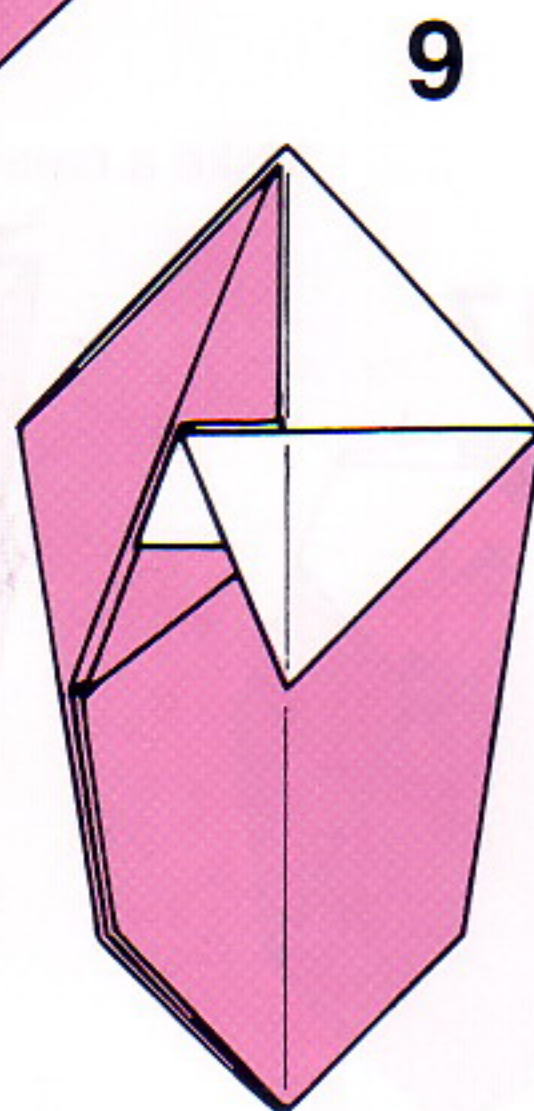
Turn right flap to left.



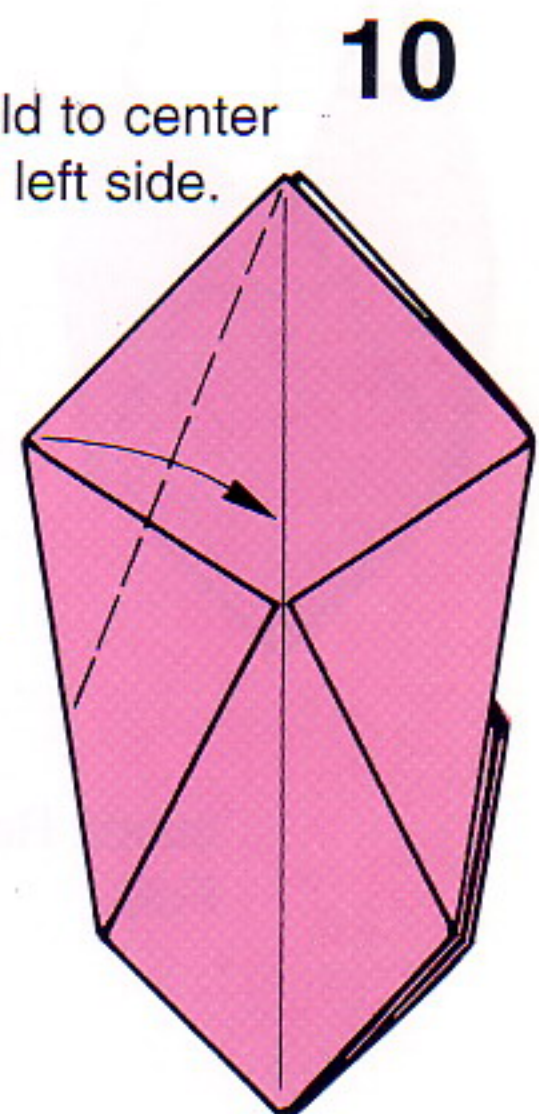
Fold to center on left side.



Fold front flap down.



Turn over.

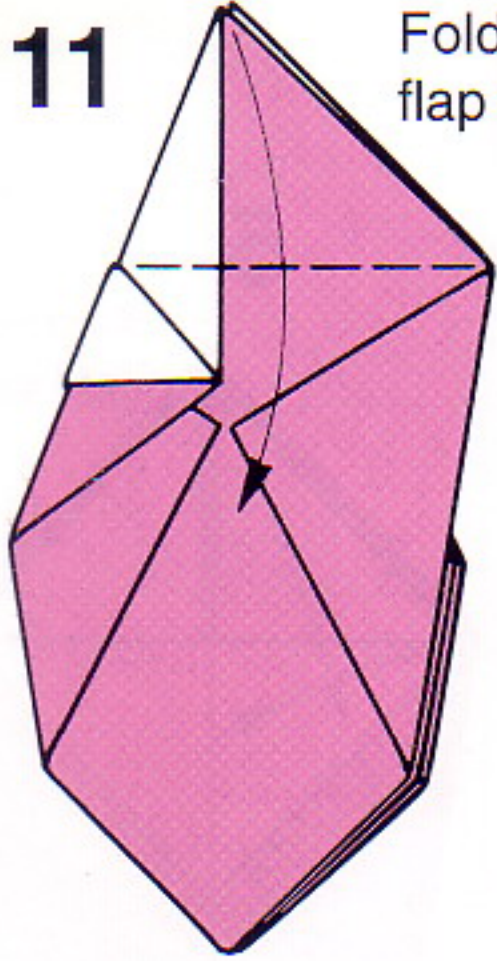


Fold to center on left side.



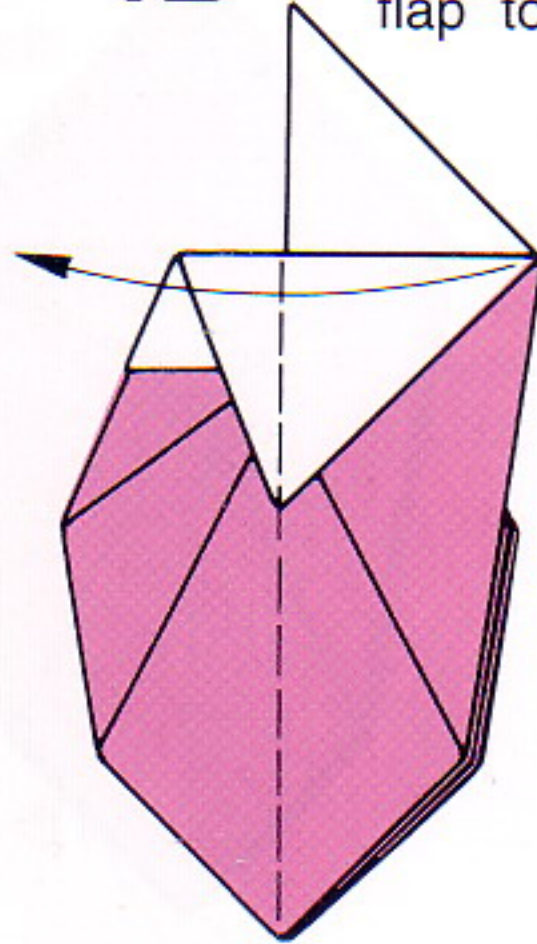
11

Fold front flap down.



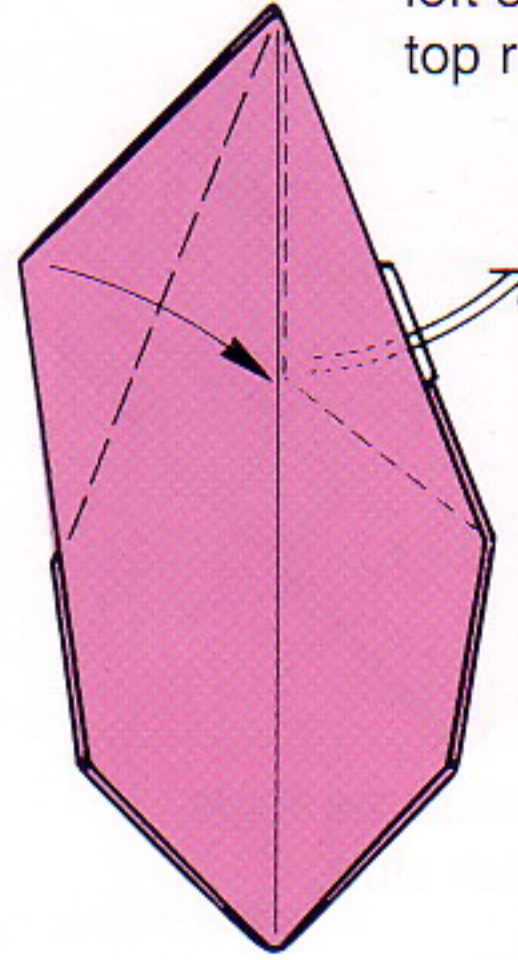
12

Turn right flap to left.



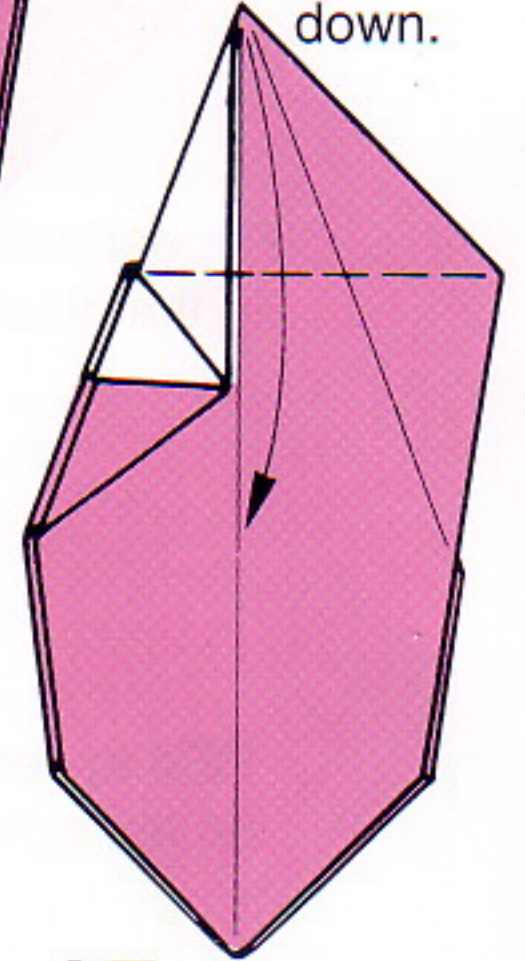
13

Fold to center on left side and unfold top right.

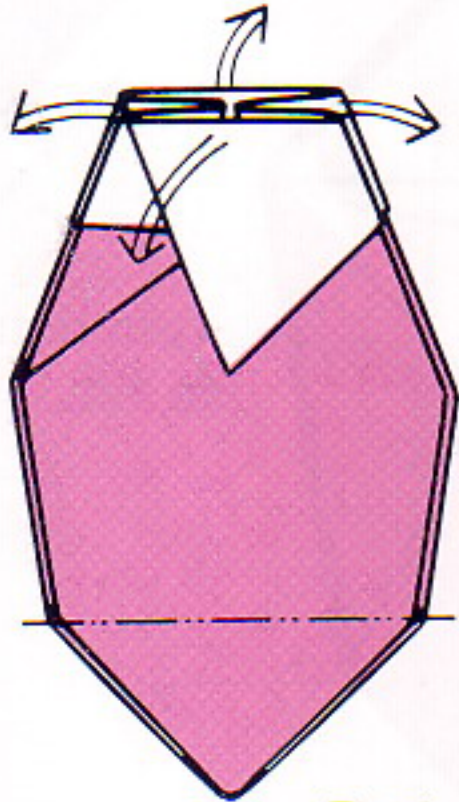


14

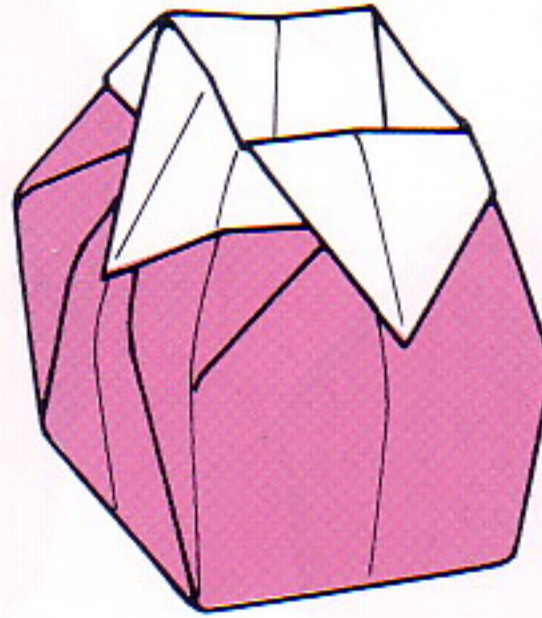
Fold flap down.



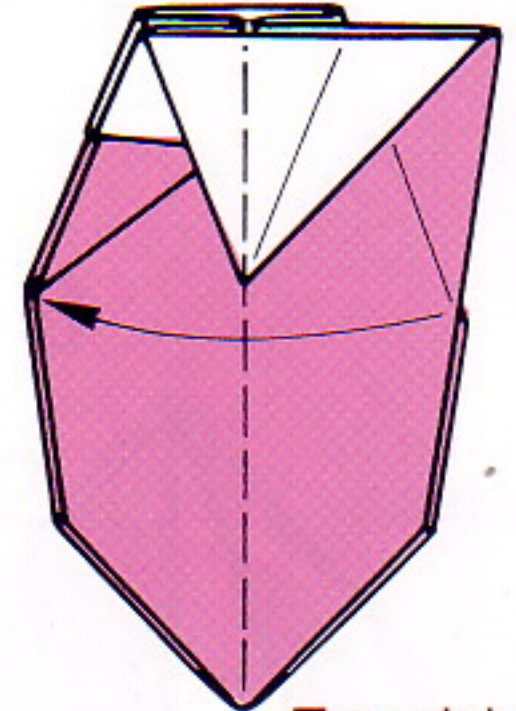
19



Completed.

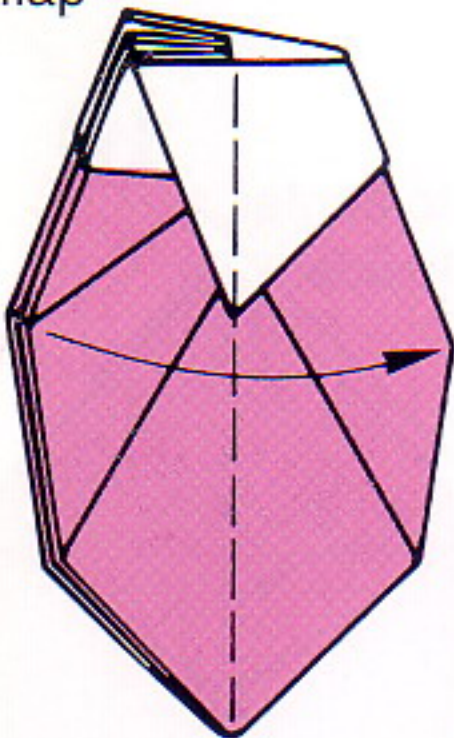


15



18

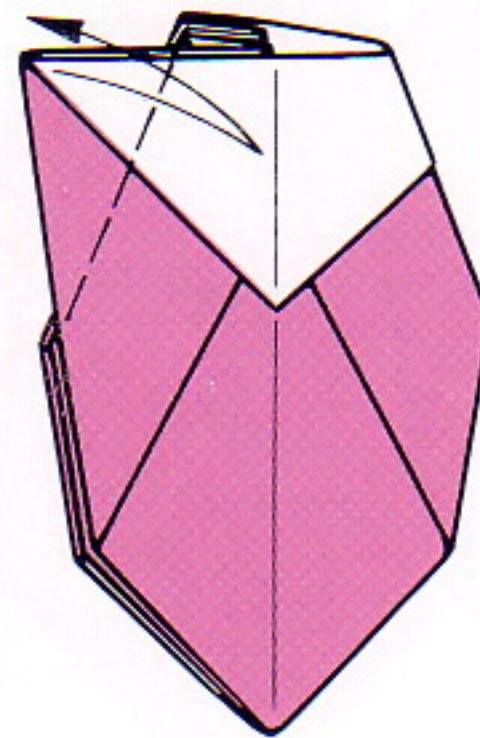
Turn left flap to right.



Push up and flatten the bottom as you pull.

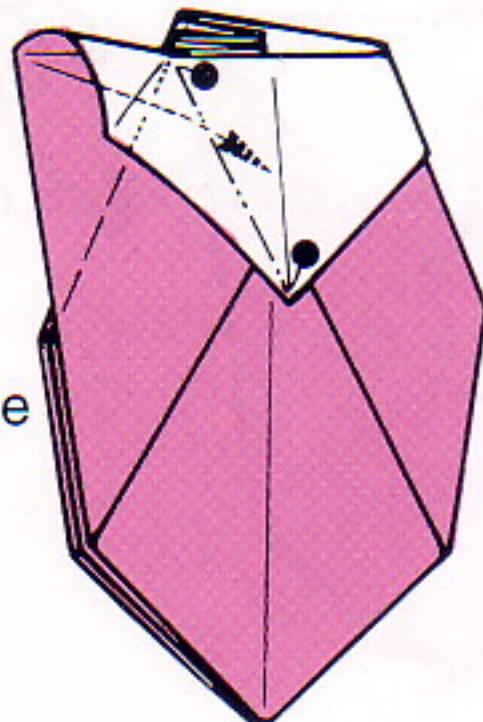
Make a crease.

16



Turn right flap to left.

17



Inside Reverse Fold.

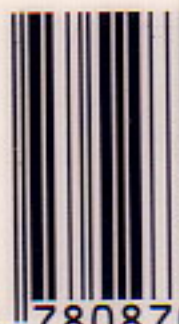


US\$19.00



SHUFUNOTOMO / JAPAN PUBLICATIONS

ISBN 0-87040-960-3



SAMBINDNINGEN

890 06 69 8842 52

**BTJ**  
© Bibliotekstjänst AB



960-3  
Kong